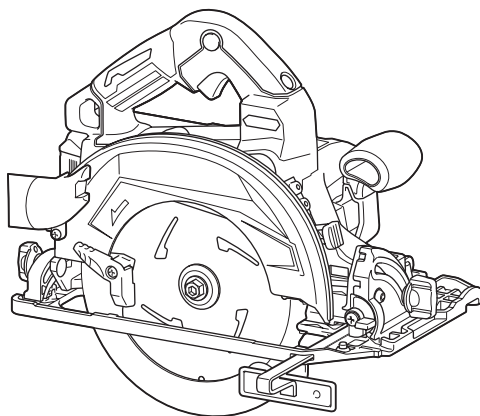
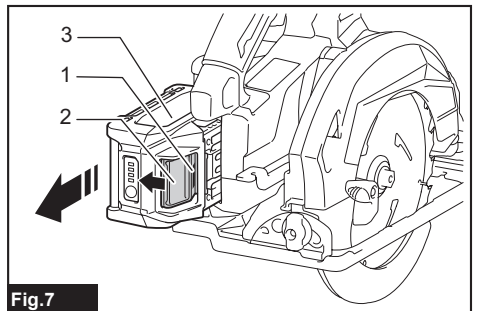
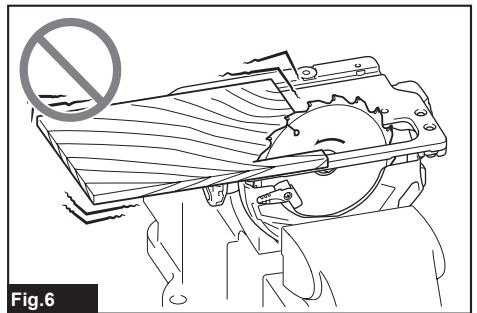
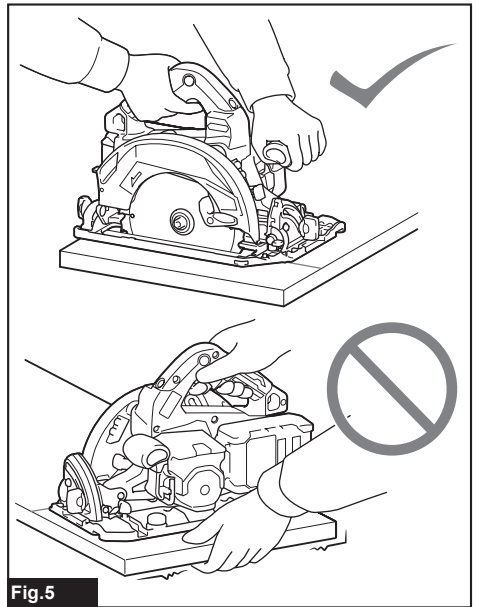
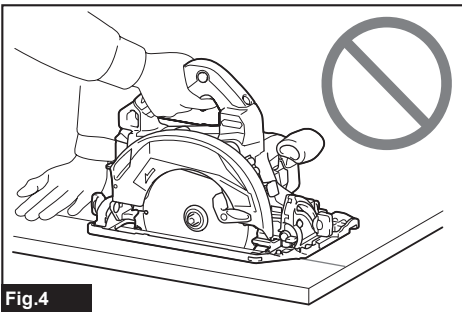
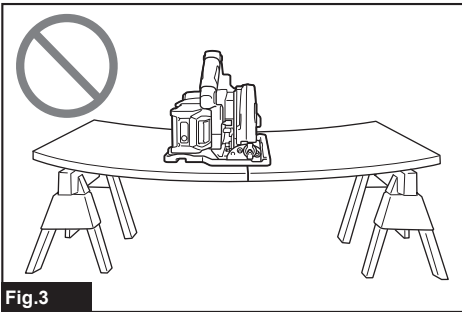
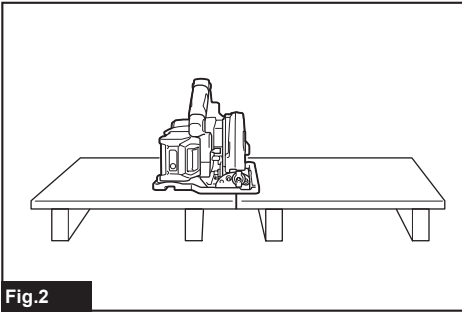
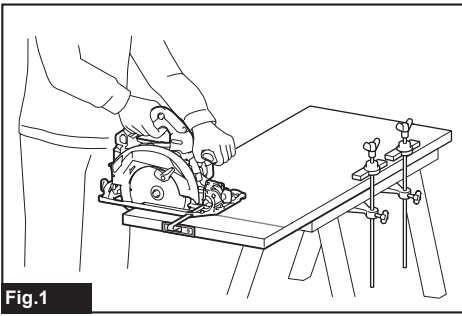




EN	Cordless Circular Saw	INSTRUCTION MANUAL	10
SL	Brezlična krožna žaga	NAVODILA ZA UPORABO	23
SQ	Sharrë e rrumbullakët me bateri	MANUALI I PËRDORIMIT	36
BG	Акумулаторен циркуляр	РЪКОВОДСТВО ЗА ЕКСПЛОАТАЦИЯ	50
HR	Bežična kružna pila	PRIRUČNIK S UPUTAMA	66
MK	Безжична циркуларна пила	УПАТСТВО ЗА УПОТРЕБА	79
SR	Бежична циркуларна тестера	УПУТСТВО ЗА УПОТРЕБУ	95
RO	Ferăstrău circular cu acumulator	MANUAL DE INSTRUCȚIUNI	109
UK	Бездротова циркулярна пила	ІНСТРУКЦІЯ З ЕКСПЛУАТАЦІЇ	123
RU	Аккумуляторная циркулярная пила	РУКОВОДСТВО ПО ЭКСПЛУАТАЦИИ	137

HS004G





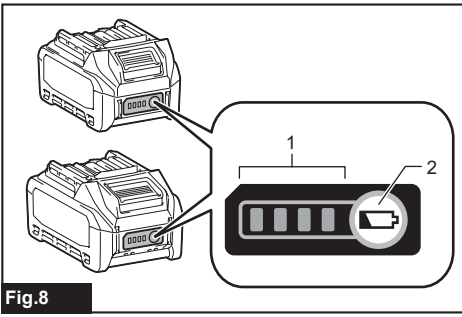


Fig. 8

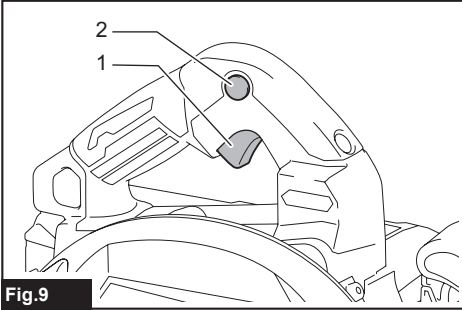


Fig. 9

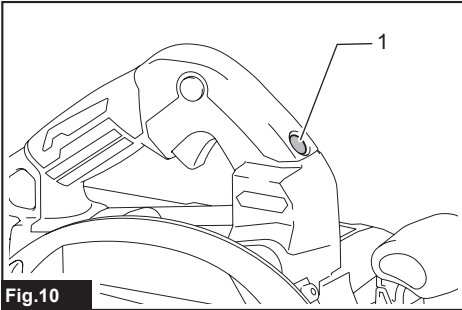


Fig. 10

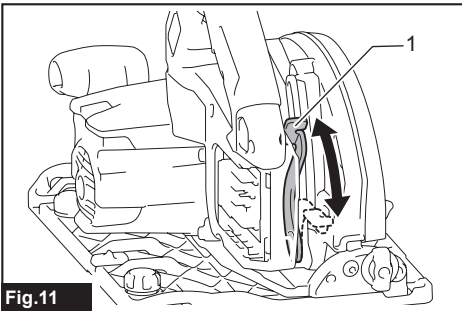


Fig. 11

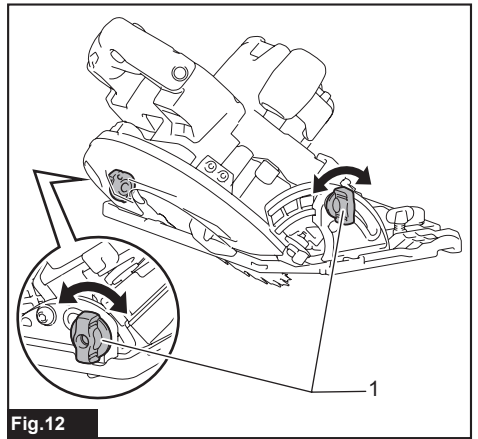


Fig. 12

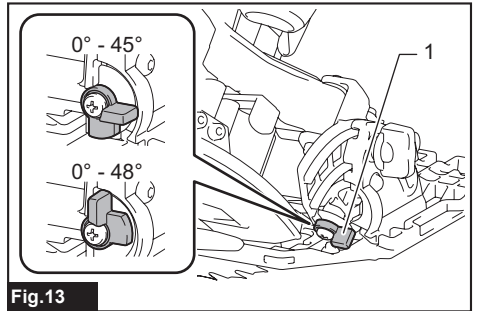


Fig. 13

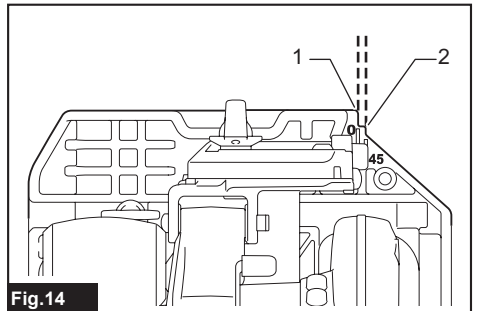


Fig. 14

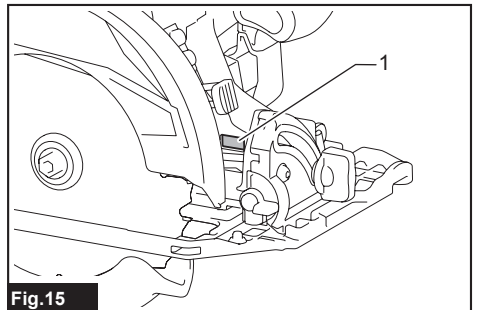


Fig. 15

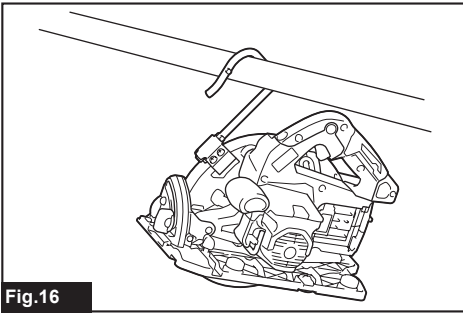


Fig.16

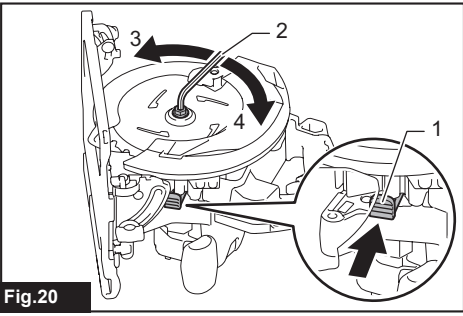


Fig.20

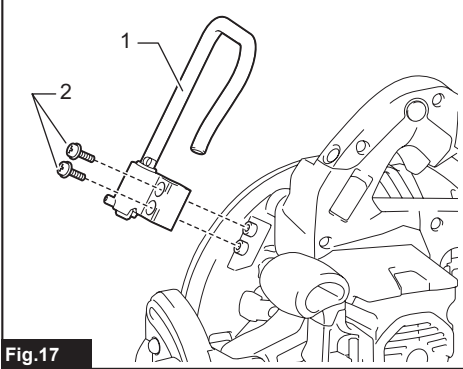


Fig.17

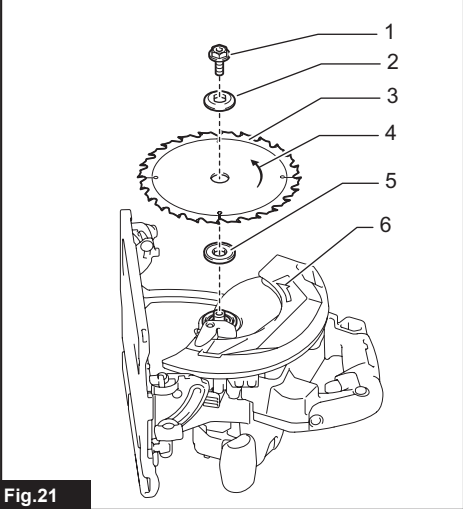


Fig.21

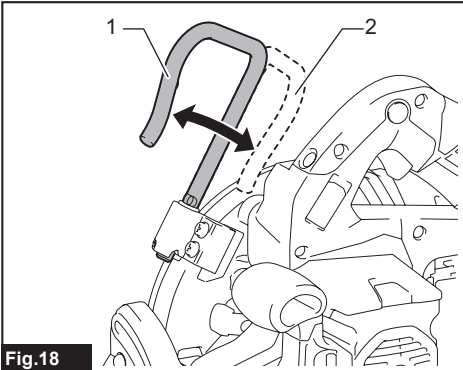


Fig.18

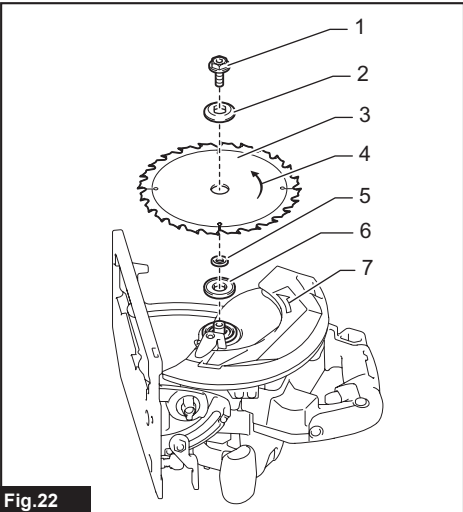


Fig.22

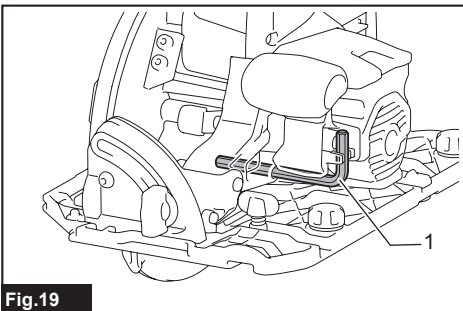


Fig.19

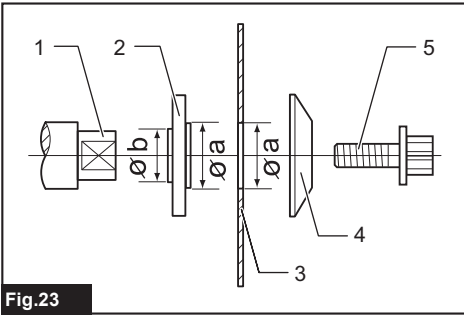


Fig.23

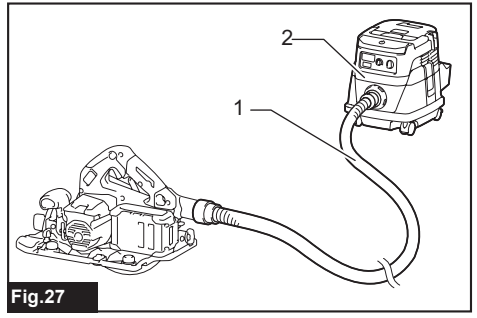


Fig.27

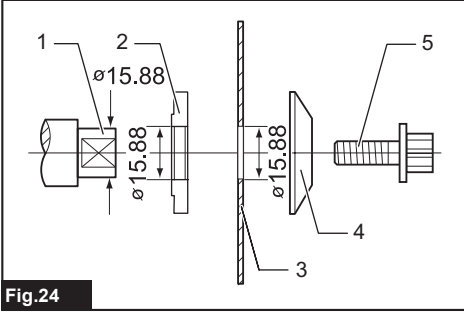


Fig.24

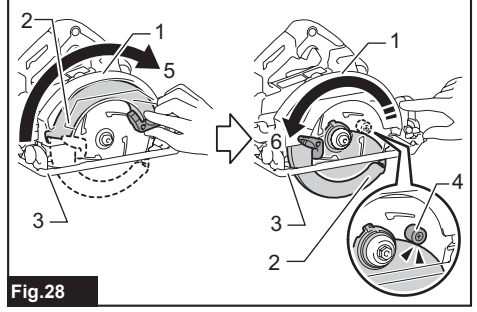


Fig.28

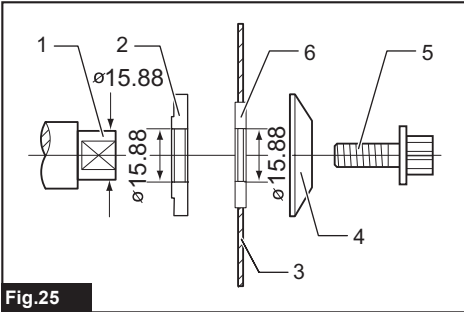


Fig.25

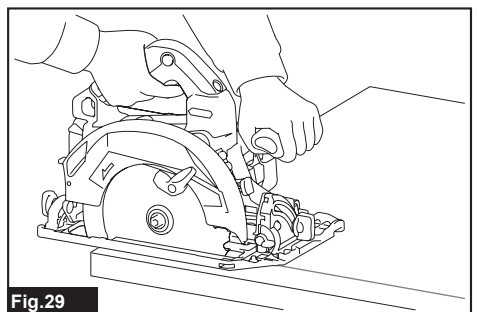


Fig.29

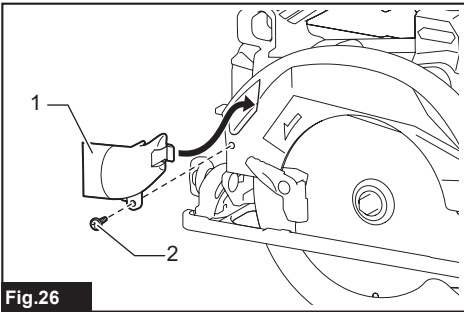


Fig.26

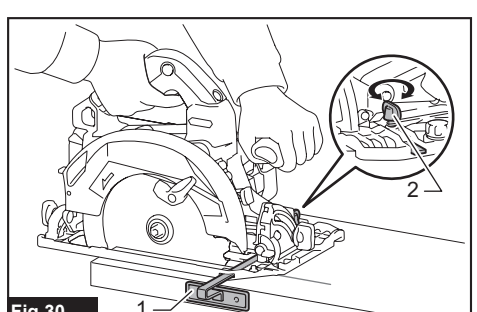
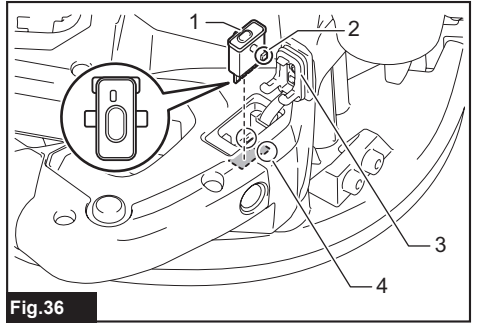
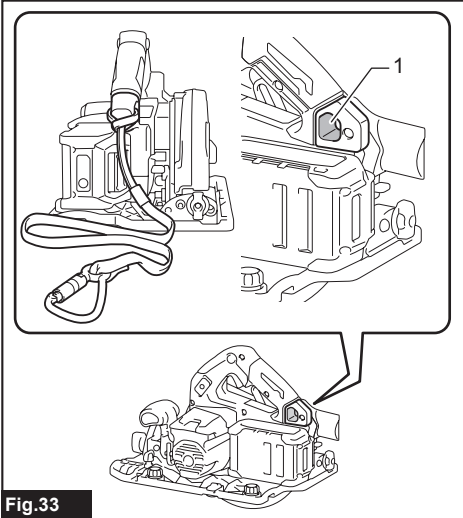
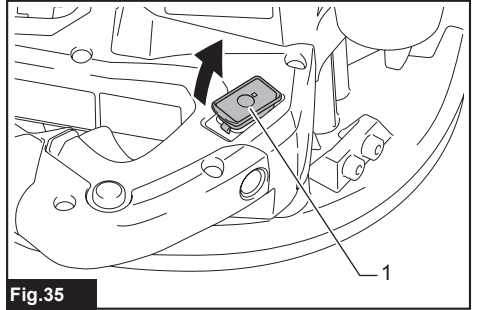
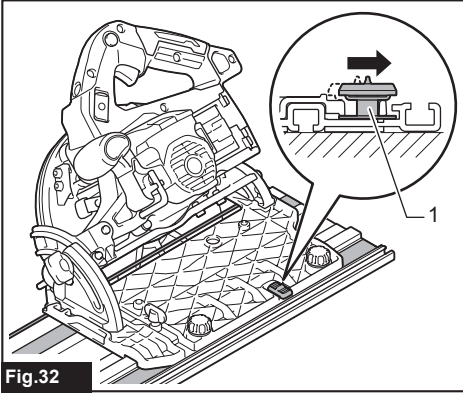
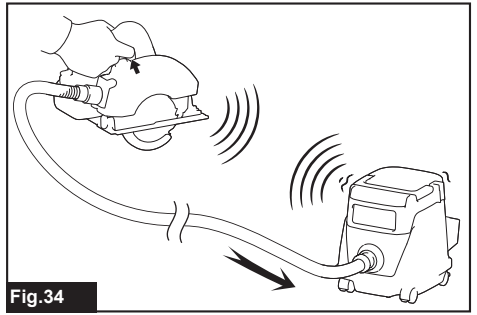
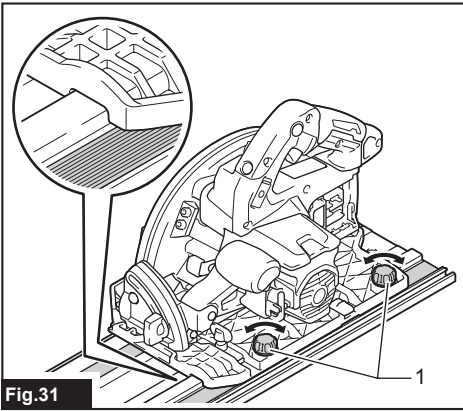


Fig.30



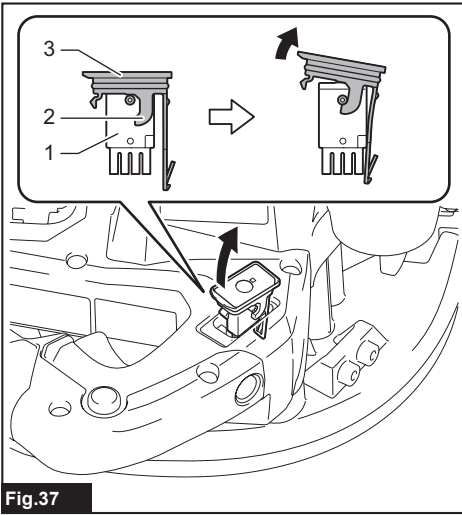


Fig.37

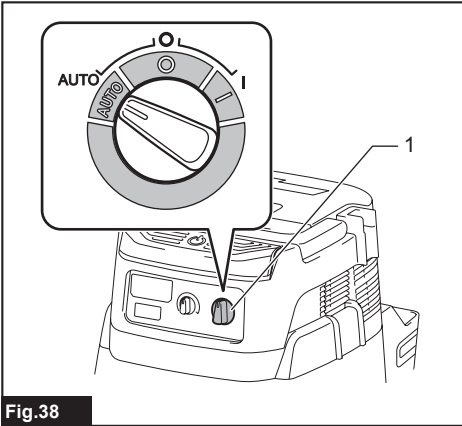


Fig.38

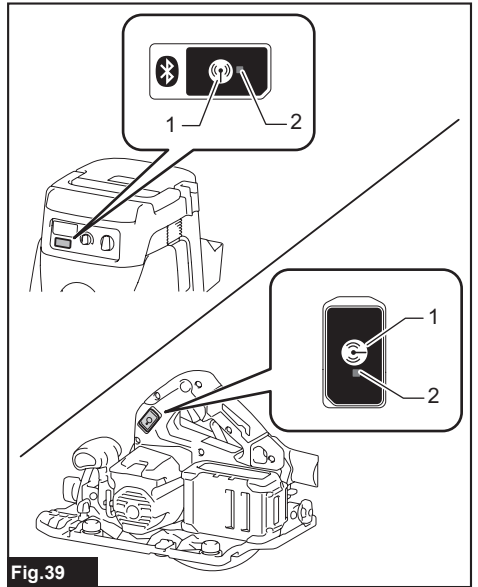


Fig.39

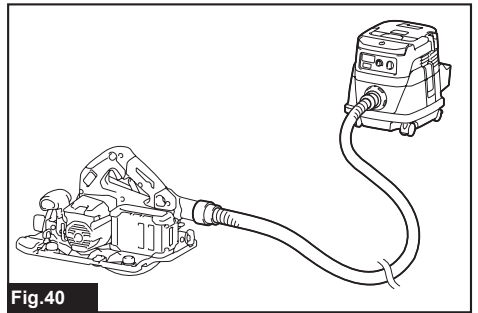


Fig.40

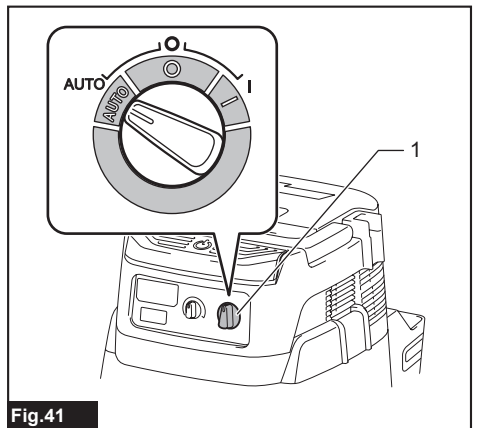


Fig.41

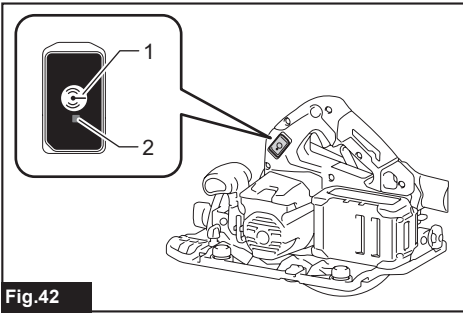


Fig.42

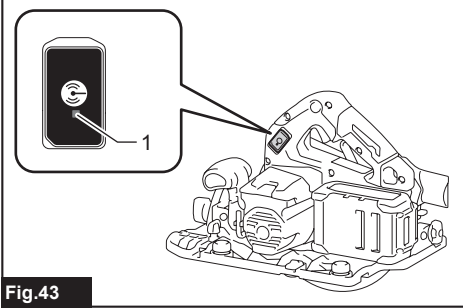


Fig.43

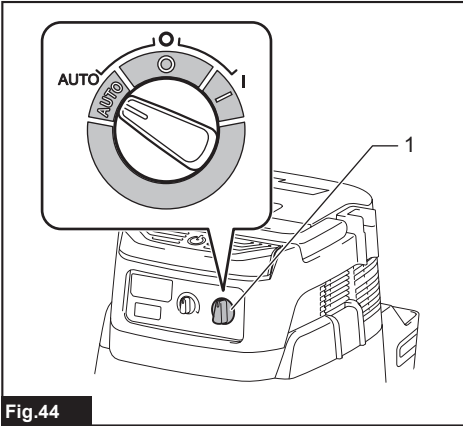


Fig.44

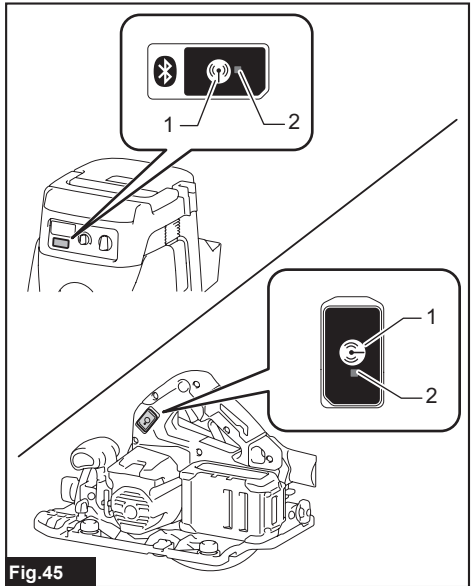


Fig.45

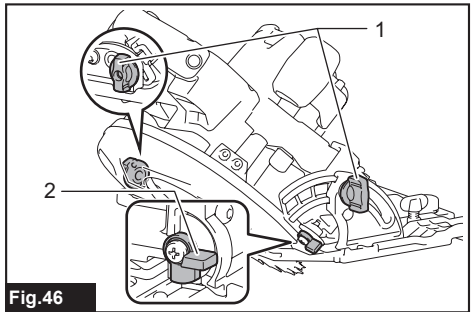


Fig.46

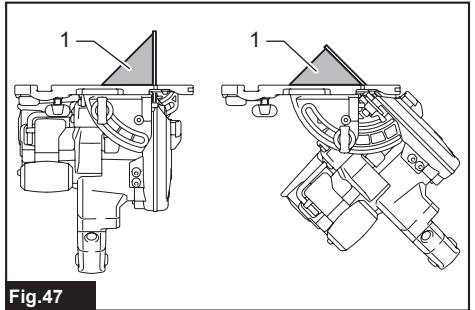
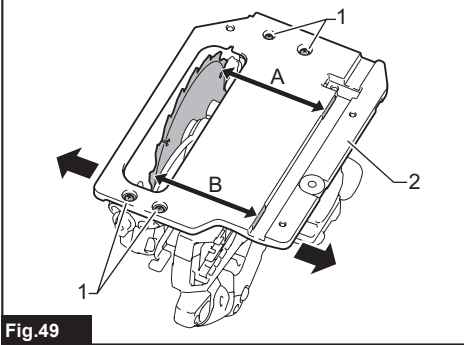
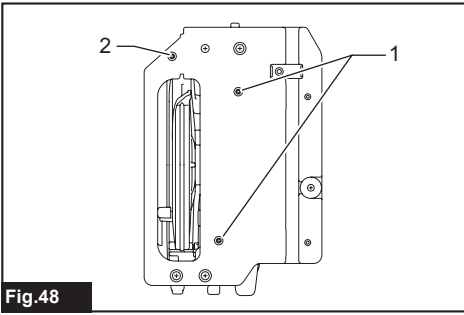


Fig.47



SPECIFICATIONS

Model:		HS004G
Blade diameter		185 mm - 190 mm
Max. Cutting depth	at 0°	60.0 mm - 62.5 mm
	at 45° bevel	43.0 mm - 44.5 mm
	at 48° bevel	41.0 mm - 42.0 mm
No load speed		6,000 min ⁻¹
Rated voltage		D.C. 36 V - 40 V max
Overall length	with BL4025	322 mm
	with BL4040	337 mm
Net weight		4.4 - 4.7 kg

- Due to our continuing program of research and development, the specifications herein are subject to change without notice.
- Specifications and battery cartridge may differ from country to country.
- The weight may differ depending on the attachment(s), including the battery cartridge. The lightest and heaviest combinations, according to EPTA-Procedure 01/2014, are shown in the table.

Applicable battery cartridge and charger

Battery cartridge	BL4025 / BL4040
Charger	DC40RA

- Some of the battery cartridges and chargers listed above may not be available depending on your region of residence.

⚠WARNING: Only use the battery cartridges and chargers listed above. Use of any other battery cartridges and chargers may cause injury and/or fire.

Intended use

The tool is intended for performing lengthways and crossways straight cuts and miter cuts with angles in wood while in firm contact with the workpiece. With appropriate Makita genuine saw blades, other materials can also be sawed.

Noise

The typical A-weighted noise level determined according to EN62841-2-5:

Sound pressure level (L_{pA}): 93 dB(A)

Sound power level (L_{WA}): 104 dB (A)

Uncertainty (K): 3 dB(A)

NOTE: The declared noise emission value(s) has been measured in accordance with a standard test method and may be used for comparing one tool with another.

NOTE: The declared noise emission value(s) may also be used in a preliminary assessment of exposure.

⚠WARNING: Wear ear protection.

⚠WARNING: The noise emission during actual use of the power tool can differ from the declared value(s) depending on the ways in which the tool is used especially what kind of workpiece is processed.

⚠WARNING: Be sure to identify safety measures to protect the operator that are based on an estimation of exposure in the actual conditions of use (taking account of all parts of the operating cycle such as the times when the tool is switched off and when it is running idle in addition to the trigger time).

Vibration

The vibration total value (tri-axial vector sum) determined according to EN62841-2-5:

Work mode: cutting wood

Vibration emission ($a_{h,W}$): 2.5 m/s² or less

Uncertainty (K): 1.5 m/s²

Work mode: cutting metal

Vibration emission ($a_{h,M}$): 2.5 m/s² or less

Uncertainty (K): 1.5 m/s²

NOTE: The declared vibration total value(s) has been measured in accordance with a standard test method and may be used for comparing one tool with another.

NOTE: The declared vibration total value(s) may also be used in a preliminary assessment of exposure.

⚠WARNING: The vibration emission during actual use of the power tool can differ from the declared value(s) depending on the ways in which the tool is used especially what kind of workpiece is processed.

⚠WARNING: Be sure to identify safety measures to protect the operator that are based on an estimation of exposure in the actual conditions of use (taking account of all parts of the operating cycle such as the times when the tool is switched off and when it is running idle in addition to the trigger time).

EC Declaration of Conformity

For European countries only

The EC declaration of conformity is included as Annex A to this instruction manual.

SAFETY WARNINGS

General power tool safety warnings

⚠WARNING: Read all safety warnings, instructions, illustrations and specifications provided with this power tool. Failure to follow all instructions listed below may result in electric shock, fire and/or serious injury.

Save all warnings and instructions for future reference.

The term "power tool" in the warnings refers to your mains-operated (corded) power tool or battery-operated (cordless) power tool.

Cordless circular saw safety warnings

Cutting procedures

- ⚠DANGER:** Keep hands away from cutting area and the blade. Keep your second hand on auxiliary handle, or motor housing. If both hands are holding the saw, they cannot be cut by the blade.
- Do not reach underneath the workpiece.** The guard cannot protect you from the blade below the workpiece.
- Adjust the cutting depth to the thickness of the workpiece.** Less than a full tooth of the blade teeth should be visible below the workpiece.
- Never hold the workpiece in your hands or across your leg while cutting. Secure the workpiece to a stable platform.** It is important to support the work properly to minimise body exposure, blade binding, or loss of control.

► Fig.1

- Hold the power tool by insulated gripping surfaces, when performing an operation where the cutting tool may contact hidden wiring.** Contact with a "live" wire will also make exposed metal parts of the power tool "live" and could give the operator an electric shock.
- When ripping, always use a rip fence or straight edge guide.** This improves the accuracy of cut and reduces the chance of blade binding.
- Always use blades with correct size and shape (diamond versus round) of arbour holes.** Blades that do not match the mounting hardware of the saw will run off-centre, causing loss of control.
- Never use damaged or incorrect blade washers or bolt.** The blade washers and bolt were specially designed for your saw, for optimum performance and safety of operation.

Kickback causes and related warnings

- kickback is a sudden reaction to a pinched, jammed or misaligned saw blade, causing an uncontrolled saw to lift up and out of the workpiece toward the operator;
- when the blade is pinched or jammed tightly by the kerf closing down, the blade stalls and the motor reaction drives the unit rapidly back toward the operator;
- if the blade becomes twisted or misaligned in the cut, the teeth at the back edge of the blade can dig into the top surface of the wood causing the blade to climb out of the kerf and jump back toward the operator.

Kickback is the result of saw misuse and/or incorrect operating procedures or conditions and can be avoided by taking proper precautions as given below.

- Maintain a firm grip with both hands on the saw and position your arms to resist kickback forces. Position your body to either side of the blade, but not in line with the blade.** Kickback could cause the saw to jump backwards, but kickback forces can be controlled by the operator, if proper precautions are taken.
- When blade is binding, or when interrupting a cut for any reason, release the trigger and hold the saw motionless in the material until the blade comes to a complete stop. Never attempt to remove the saw from the work or pull the saw backward while the blade is in motion or kickback may occur.** Investigate and take corrective actions to eliminate the cause of blade binding.
- When restarting a saw in the workpiece, centre the saw blade in the kerf so that the saw teeth are not engaged into the material.** If a saw blade binds, it may walk up or kickback from the workpiece as the saw is restarted.
- Support large panels to minimise the risk of blade pinching and kickback.** Large panels tend to sag under their own weight. Supports must be placed under the panel on both sides, near the line of cut and near the edge of the panel.

► Fig.2

► Fig.3

5. **Do not use dull or damaged blades.**
Unsharpened or improperly set blades produce narrow kerf causing excessive friction, blade binding and kickback.
6. **Blade depth and bevel adjusting locking levers must be tight and secure before making the cut.** If blade adjustment shifts while cutting, it may cause binding and kickback.
7. **Use extra caution when sawing into existing walls or other blind areas.** The protruding blade may cut objects that can cause kickback.
8. **ALWAYS hold the tool firmly with both hands. NEVER place your hand, leg or any part of your body under the tool base or behind the saw, especially when making cross-cuts.** If kickback occurs, the saw could easily jump backwards over your hand, leading to serious personal injury.

► Fig.4

9. **Never force the saw. Push the saw forward at a speed so that the blade cuts without slowing.**
Forcing the saw can cause uneven cuts, loss of accuracy, and possible kickback.

Lower guard function

1. **Check the lower guard for proper closing before each use. Do not operate the saw if the lower guard does not move freely and close instantly. Never clamp or tie the lower guard into the open position.** If the saw is accidentally dropped, the lower guard may be bent. Raise the lower guard with the retracting handle and make sure it moves freely and does not touch the blade or any other part, in all angles and depths of cut.
2. **Check the operation of the lower guard spring. If the guard and the spring are not operating properly, they must be serviced before use.**
Lower guard may operate sluggishly due to damaged parts, gummy deposits, or a build-up of debris.
3. **The lower guard may be retracted manually only for special cuts such as “plunge cuts” and “compound cuts”.** Raise the lower guard by the retracting handle and as soon as the blade enters the material, the lower guard must be released. For all other sawing, the lower guard should operate automatically.
4. **Always observe that the lower guard is covering the blade before placing the saw down on bench or floor.** An unprotected, coasting blade will cause the saw to walk backwards, cutting whatever is in its path. Be aware of the time it takes for the blade to stop after switch is released.
5. **To check lower guard, open lower guard by hand, then release and watch guard closure. Also check to see that retracting handle does not touch tool housing.** Leaving blade exposed is VERY DANGEROUS and can lead to serious personal injury.

Additional safety warnings

1. **Use extra caution when cutting damp wood, pressure treated lumber, or wood containing knots.** Maintain smooth advancement of tool without decrease in blade speed to avoid overheating the blade tips.

2. **Do not attempt to remove cut material when blade is moving. Wait until blade stops before grasping cut material.** Blades coast after turn off.
3. **Avoid cutting nails. Inspect for and remove all nails from lumber before cutting.**
4. **Place the wider portion of the saw base on that part of the workpiece which is solidly supported, not on the section that will fall off when the cut is made. If the workpiece is short or small, clamp it down. DO NOT TRY TO HOLD SHORT PIECES BY HAND!**

► Fig.5

5. **Before setting the tool down after completing a cut, be sure that the guard has closed and the blade has come to a complete stop.**
6. **Never attempt to saw with the circular saw held upside down in a vise. This is extremely dangerous and can lead to serious accidents.**

► Fig.6

7. **Some material contains chemicals which may be toxic. Take caution to prevent dust inhalation and skin contact. Follow material supplier safety data.**
8. **Do not stop the blades by lateral pressure on the saw blade.**
9. **Do not use any abrasive wheels.**
10. **Only use the saw blade with the diameter that is marked on the tool or specified in the manual.** Use of an incorrectly sized blade may affect the proper guarding of the blade or guard operation which could result in serious personal injury.
11. **Keep blade sharp and clean.** Gum and wood pitch hardened on blades slows saw and increases potential for kickback. Keep blade clean by first removing it from tool, then cleaning it with gum and pitch remover, hot water or kerosene. Never use gasoline.
12. **Wear a dust mask and hearing protection when use the tool.**
13. **Always use the saw blade intended for cutting the material that you are going to cut.**
14. **Only use the saw blades that are marked with a speed equal or higher than the speed marked on the tool.**
15. **(For European countries only)**
Always use the blade which conforms to EN847-1.
16. **Place the tool and the parts on a flat and stable surface.** Otherwise the tool or the parts may fall and cause an injury.

SAVE THESE INSTRUCTIONS.

⚠WARNING: DO NOT let comfort or familiarity with product (gained from repeated use) replace strict adherence to safety rules for the subject product. MISUSE or failure to follow the safety rules stated in this instruction manual may cause serious personal injury.

Important safety instructions for battery cartridge

1. Before using battery cartridge, read all instructions and cautionary markings on (1) battery charger, (2) battery, and (3) product using battery.
2. Do not disassemble or tamper the battery cartridge. It may result in a fire, excessive heat, or explosion.
3. If operating time has become excessively shorter, stop operating immediately. It may result in a risk of overheating, possible burns and even an explosion.
4. If electrolyte gets into your eyes, rinse them out with clear water and seek medical attention right away. It may result in loss of your eyesight.
5. Do not short the battery cartridge:
 - (1) Do not touch the terminals with any conductive material.
 - (2) Avoid storing battery cartridge in a container with other metal objects such as nails, coins, etc.
 - (3) Do not expose battery cartridge to water or rain.

A battery short can cause a large current flow, overheating, possible burns and even a breakdown.

6. Do not store the tool and battery cartridge in locations where the temperature may reach or exceed 50 °C (122 °F).
7. Do not incinerate the battery cartridge even if it is severely damaged or is completely worn out. The battery cartridge can explode in a fire.
8. Do not nail, cut, crush, throw, drop the battery cartridge, or hit against a hard object to the battery cartridge. Such conduct may result in a fire, excessive heat, or explosion.
9. Do not use a damaged battery.
10. The contained lithium-ion batteries are subject to the Dangerous Goods Legislation requirements.

For commercial transports e.g. by third parties, forwarding agents, special requirement on packaging and labeling must be observed.
For preparation of the item being shipped, consulting an expert for hazardous material is required. Please also observe possibly more detailed national regulations.
Tape or mask off open contacts and pack up the battery in such a manner that it cannot move around in the packaging.
11. When disposing the battery cartridge, remove it from the tool and dispose of it in a safe place. Follow your local regulations relating to disposal of battery.
12. Use the batteries only with the products specified by Makita. Installing the batteries to non-compliant products may result in a fire, excessive heat, explosion, or leak of electrolyte.
13. If the tool is not used for a long period of time, the battery must be removed from the tool.

14. During and after use, the battery cartridge may take on heat which can cause burns or low temperature burns. Pay attention to the handling of hot battery cartridges.
15. Do not touch the terminal of the tool immediately after use as it may get hot enough to cause burns.
16. Do not allow chips, dust, or soil stuck into the terminals, holes, and grooves of the battery cartridge. It may result in poor performance or breakdown of the tool or battery cartridge.
17. Unless the tool supports the use near a high-voltage electrical power lines, do not use the battery cartridge near a high-voltage electrical power lines. It may result in a malfunction or breakdown of the tool or battery cartridge.

SAVE THESE INSTRUCTIONS.

CAUTION: Only use genuine Makita batteries. Use of non-genuine Makita batteries, or batteries that have been altered, may result in the battery bursting causing fires, personal injury and damage. It will also void the Makita warranty for the Makita tool and charger.

Tips for maintaining maximum battery life

1. Charge the battery cartridge before completely discharged. Always stop tool operation and charge the battery cartridge when you notice less tool power.
2. Never recharge a fully charged battery cartridge. Overcharging shortens the battery service life.
3. Charge the battery cartridge with room temperature at 10 °C - 40 °C (50 °F - 104 °F). Let a hot battery cartridge cool down before charging it.
4. When not using the battery cartridge, remove it from the tool or the charger.
5. Charge the battery cartridge if you do not use it for a long period (more than six months).

Important safety instructions for wireless unit

1. Do not disassemble or tamper with the wireless unit.
2. Keep the wireless unit away from young children. If accidentally swallowed, seek medical attention immediately.
3. Use the wireless unit only with Makita tools.
4. Do not expose the wireless unit to rain or wet conditions.
5. Do not use the wireless unit in places where the temperature exceeds 50°C (122°F).
6. Do not operate the wireless unit in places where medical instruments, such as heart pace makers are nearby.
7. Do not operate the wireless unit in places where automated devices are nearby. If operated, automated devices may develop malfunction or error.

8. Do not operate the wireless unit in places under high temperature or places where static electricity or electrical noise could be generated.
9. The wireless unit can produce electromagnetic fields (EMF) but they are not harmful to the user.
10. The wireless unit is an accurate instrument. Be careful not to drop or strike the wireless unit.
11. Avoid touching the terminal of the wireless unit with bare hands or metallic materials.
12. Always remove the battery on the product when installing the wireless unit into it.
13. When opening the lid of the slot, avoid the place where dust and water may come into the slot. Always keep the inlet of the slot clean.
14. Always insert the wireless unit in the correct direction.
15. Do not press the wireless activation button on the wireless unit too hard and/or press the button with an object with a sharp edge.
16. Always close the lid of the slot when operating.
17. Do not remove the wireless unit from the slot while the power is being supplied to the tool. Doing so may cause a malfunction of the wireless unit.
18. Do not remove the sticker on the wireless unit.
19. Do not put any sticker on the wireless unit.
20. Do not leave the wireless unit in a place where static electricity or electrical noise could be generated.
21. Do not leave the wireless unit in a place subject to high heat, such as a car sitting in the sun.
22. Do not leave the wireless unit in a dusty or powdery place or in a place corrosive gas could be generated.
23. Sudden change of the temperature may bedew the wireless unit. Do not use the wireless unit until the dew is completely dried.
24. When cleaning the wireless unit, gently wipe with a dry soft cloth. Do not use benzine, thinner, conductive grease or the like.
25. When storing the wireless unit, keep it in the supplied case or a static-free container.
26. Do not insert any devices other than Makita wireless unit into the slot on the tool.
27. Do not use the tool with the lid of the slot damaged. Water, dust, and dirt come into the slot may cause malfunction.
28. Do not pull and/or twist the lid of the slot more than necessary. Restore the lid if it comes off from the tool.
29. Replace the lid of the slot if it is lost or damaged.

SAVE THESE INSTRUCTIONS.

FUNCTIONAL DESCRIPTION

CAUTION: Always be sure that the tool is switched off and the battery cartridge is removed before adjusting or checking function on the tool.

Installing or removing battery cartridge

CAUTION: Always switch off the tool before installing or removing of the battery cartridge.

CAUTION: Hold the tool and the battery cartridge firmly when installing or removing battery cartridge. Failure to hold the tool and the battery cartridge firmly may cause them to slip off your hands and result in damage to the tool and battery cartridge and a personal injury.

► Fig.7: 1. Red indicator 2. Button 3. Battery cartridge

To remove the battery cartridge, slide it from the tool while sliding the button on the front of the cartridge.

To install the battery cartridge, align the tongue on the battery cartridge with the groove in the housing and slip it into place. Insert it all the way until it locks in place with a little click. If you can see the red indicator on the upper side of the button, it is not locked completely.

CAUTION: Always install the battery cartridge fully until the red indicator cannot be seen. If not, it may accidentally fall out of the tool, causing injury to you or someone around you.

CAUTION: Do not install the battery cartridge forcibly. If the cartridge does not slide in easily, it is not being inserted correctly.

Tool / battery protection system

The tool is equipped with a tool/battery protection system. This system automatically cuts off power to the motor to extend tool and battery life. The tool will automatically stop during operation if the tool or battery is placed under one of the following conditions.

Overload protection

When the tool is operated in a manner that causes it to draw an abnormally high current, the tool automatically stops. In this situation, turn the tool off and stop the application that caused the tool to become overloaded. Then turn the tool on to restart.

Overheat protection

When the tool or battery is overheated, the tool stops automatically and the lamp blinks. In this case, let the tool and battery cool before turning the tool on again.

Overdischarge protection

When the battery capacity becomes low, the tool stops automatically. If the product does not operate even when the switches are operated, remove the batteries from the tool and charge the batteries.

Indicating the remaining battery capacity

Press the check button on the battery cartridge to indicate the remaining battery capacity. The indicator lamps light up for a few seconds.

► **Fig.8:** 1. Indicator lamps 2. Check button

Indicator lamps			Remaining capacity
Lighted	Off	Blinking	
■	□	◐	75% to 100%
■ ■ ■ ■			
■ ■ ■	□		50% to 75%
■ ■	□ □		25% to 50%
■	□ □ □		0% to 25%
◐	□ □ □ □		Charge the battery.
■ ■	□ □	↑ ↓	The battery may have malfunctioned.
	□ □ ■ ■		

NOTE: Depending on the conditions of use and the ambient temperature, the indication may differ slightly from the actual capacity.

Switch action

⚠ WARNING: Before installing the battery cartridge into the tool, always check to see that the switch trigger actuates properly and returns to the "OFF" position when released.

⚠ WARNING: NEVER defeat the lock-off button by taping down or some other means. A switch with a negated lock-off button may result in unintentional operation and serious personal injury.

⚠ WARNING: NEVER use the tool if it runs when you simply pull the switch trigger without pressing the lock-off button. A switch in need of repair may result in unintentional operation and serious personal injury. Return tool to a Makita service center for proper repairs BEFORE further usage.

To prevent the switch trigger from being accidentally pulled, a lock-off button is provided. To start the tool, depress the lock-off button and pull the switch trigger. Release the switch trigger to stop.

► **Fig.9:** 1. Switch trigger 2. Lock-off button

NOTICE: Do not pull the switch trigger hard without pressing in the lock-off button. This can cause switch breakage.

⚠ CAUTION: The tool starts to brake the circular saw blade rotation immediately after you release the switch trigger. Hold the tool firmly to respond the reaction of the brake when releasing the switch trigger. Sudden reaction can drop the tool off your hand and can cause a personal injury.

Automatic speed change function

This tool has "high speed mode" and "high torque mode". The tool automatically changes the operation mode depending on the work load. When the work load is low, the tool will run in the "high speed mode" for quicker cutting operation. When the work load is high, the tool will run in the "high torque mode" for powerful cutting operation.

► **Fig.10:** 1. Mode indicator

The mode indicator lights up in green when the tool is running in "high torque mode". If the tool is operated with excessive load, the mode indicator will blink in green. The mode indicator stops blinking and then lights up or turns off if you reduce the load on the tool.

Mode indicator status			Operation mode
● On	○ Off	◐ Blinking	
	○		High speed mode
	●		High torque mode
	◐		Overload alert

Adjusting depth of cut

⚠ CAUTION: After adjusting the depth of cut, always tighten the lever securely.

Loosen the lever on the depth guide and move the base up or down. At the desired depth of cut, secure the base by tightening the lever.

For cleaner, safer cuts, set cut depth so that no more than one blade tooth projects below workpiece. Using proper cut depth helps to reduce potential for dangerous KICKBACKS which can cause personal injury.

► **Fig.11:** 1. Lever

Bevel cutting

⚠ CAUTION: After adjusting the bevel angle, always tighten the clamping screws securely.

Loosen the clamping screws. Set for the desired angle by tilting accordingly, then tighten the clamping screws securely.

► **Fig.12:** 1. Clamping screw

Use the stopper when you do precise 45° angle cutting. Fully turn the stopper as illustrated depending on 0° - 45° bevel cut or 0° - 48° bevel cut.

► **Fig.13:** 1. Stopper

Sighting

For straight cuts, align the 0° position on the front of the base with your cutting line. For 45° bevel cuts, align the 45° position with it.

► **Fig.14:** 1. Cutting line (0° position) 2. Cutting line (45° position)

Lighting the lamp

⚠ CAUTION: Do not look in the light or see the source of light directly.

To turn on the lamp without running the tool, pull the switch trigger without pressing the lock-off button. To turn on the lamp with the tool running, press and hold the lock-off button and pull the switch trigger. The lamp goes out 10 seconds after releasing the switch trigger.

► **Fig.15:** 1. Lamp

NOTE: Use a dry cloth to wipe the dirt off the lens of the lamp. Be careful not to scratch the lens of lamp, or it may lower the illumination.

NOTE: When the tool is overheated, the lamp blinks for one minute. In this case, cool down the tool before another operation.

Hook

Optional accessory

⚠ CAUTION: Always remove the battery when hanging the tool with the hook.

⚠ CAUTION: Never hook the tool at high locations or potentially unstable locations such as on the surfaces. Otherwise the tool may lose the balance and fall.

⚠ CAUTION: Do not pull the tool downward when it is hooked.

The hook is convenient for hanging the tool temporarily.

► **Fig.16**

Attach the hook with the screws as illustrated.

► **Fig.17:** 1. Hook 2. Screw

To use the hook, simply turn the hook until it snaps into the open position.

When not in use, always turn the hook until it snaps into the closed position.

► **Fig.18:** 1. Open position 2. Closed position

Electric brake

This tool is equipped with an electric blade brake. If the tool consistently fails to quickly stop the circular saw blade after switch lever release, have tool serviced at a Makita service center.

⚠ CAUTION: The blade brake system is not a substitute for blade guard. NEVER USE TOOL WITHOUT A FUNCTIONING BLADE GUARD. SERIOUS PERSONAL INJURY CAN RESULT.

Electronic function

The tools equipped with electronic function are easy to operate because of the following feature(s).

Soft start feature

Soft start because of suppressed starting shock.

ASSEMBLY

⚠ CAUTION: Always be sure that the tool is switched off and the battery cartridge is removed before carrying out any work on the tool.

Hex wrench storage

When not in use, store the hex wrench as shown in the figure to keep it from being lost.

► **Fig.19:** 1. Hex wrench

Removing or installing circular saw blade

⚠ CAUTION: Be sure the circular saw blade is installed with teeth pointing up at the front of the tool.

⚠ CAUTION: Use only the Makita wrench to install or remove the circular saw blade.

To remove the circular saw blade, press the shaft lock fully so that the circular saw blade cannot revolve and use the hex wrench to loosen the hex bolt. Then remove the hex bolt, outer flange, circular saw blade and ring (country specific).

► **Fig.20:** 1. Shaft lock 2. Hex wrench 3. Loosen 4. Tighten

For tool without the ring

► **Fig.21:** 1. Hex bolt 2. Outer flange 3. Circular saw blade 4. Arrow on the circular saw blade 5. Inner flange 6. Arrow on the tool

For tool with the ring

► **Fig.22:** 1. Hex bolt 2. Outer flange 3. Circular saw blade 4. Arrow on the circular saw blade 5. Ring 6. Inner flange 7. Arrow on the tool

To install the circular saw blade, follow the removal procedure in reverse.

Align the direction of the arrow on the blade with the arrow on the tool.

For tool with the inner flange for other than 15.88 mm hole-diameter saw blade

The inner flange has a certain diameter protrusion on one side of it and a different diameter protrusion on the other side. Choose a correct side on which protrusion fits into the saw blade hole perfectly. Mount the inner flange onto the mounting shaft so that the correct side of protrusion on the inner flange faces outward and then place saw blade and outer flange.

► **Fig.23:** 1. Mounting shaft 2. Inner flange 3. Circular saw blade 4. Outer flange 5. Hex bolt

⚠ WARNING: BE SURE TO TIGHTEN THE HEX BOLT CLOCKWISE SECURELY. Also be careful not to tighten the bolt forcibly. Slipping your hand from the hex wrench can cause a personal injury.

⚠ WARNING: Make sure that the protrusion "a" on the inner flange that is positioned outside fits into the saw blade hole "a" perfectly. Mounting the blade on the wrong side can result in the dangerous vibration.

For tool with the inner flange for a 15.88 mm hole-diameter saw blade (country specific)

Mount the inner flange with its recessed side facing outward onto the mounting shaft and then place circular saw blade (with the ring attached if needed), outer flange and hex bolt.

For tool without the ring

► **Fig.24:** 1. Mounting shaft 2. Inner flange 3. Circular saw blade 4. Outer flange 5. Hex bolt

For tool with the ring

► **Fig.25:** 1. Mounting shaft 2. Inner flange 3. Circular saw blade 4. Outer flange 5. Hex bolt 6. Ring

⚠ WARNING: BE SURE TO TIGHTEN THE HEX BOLT CLOCKWISE SECURELY. Also be careful not to tighten the bolt forcibly. Slipping your hand from the hex wrench can cause a personal injury.

⚠ WARNING: If the ring is needed to mount the blade onto the spindle, always be sure that the correct ring for the blade's arbor hole you intend to use is installed between the inner and the outer flanges. Use of the incorrect arbor hole ring may result in the improper mounting of the blade causing blade movement and severe vibration resulting in possible loss of control during operation and in serious personal injury.

Blade guard cleaning

When changing the circular saw blade, make sure to also clean the upper and lower blade guards of accumulated sawdust as discussed in the Maintenance section. Such efforts do not replace the need to check lower guard operation before each use.

Connecting a vacuum cleaner

When you wish to perform clean cutting operation, connect a Makita vacuum cleaner to your tool. Connect a hose of the vacuum cleaner to the dust nozzle as shown in the figure.

► **Fig.26:** 1. Dust nozzle 2. Screw

► **Fig.27:** 1. Hose 2. Vacuum cleaner

OPERATION

This tool is intended to cut wood products. With appropriate Makita genuine circular saw blades, following materials can also be sawed:

- Aluminum products

Refer to our website or contact your local Makita dealer for the correct circular saw blades to be used for the material to be cut.

Checking blade guard function

Set the bevel angle to 0°, and then retract the lower guard manually to the end and release it. The lower guard is properly functioning if;

- it is retracted above the base without any hindrance and;
- it automatically returns and contacts with the stopper.

► **Fig.28:** 1. Upper guard 2. Lower guard 3. Base 4. Stopper 5. Open 6. Close

If the lower guard is not functioning properly, check if saw dust is accumulated inside of the upper and lower guards. If the lower guard is not functioning properly even after removing dust, have your tool serviced at a Makita service center.

Cutting operation

⚠ CAUTION: Wear dust mask when performing cutting operation.

⚠ CAUTION: Be sure to move the tool forward in a straight line gently. Forcing or twisting the tool will result in overheating the motor and dangerous kickback, possibly causing severe injury.

NOTE: When the battery cartridge temperature is low, the tool may not work to its full capacity. At this time, for example, use the tool for a light-duty cut for a while until the battery cartridge warms up as high as room temperature. Then, the tool can work to its full capacity.

► **Fig.29**

Hold the tool firmly. The tool is provided with both a front grip and rear handle. Use both to best grasp the tool.

If both hands are holding saw, they cannot be cut by the circular saw blade. Set the base on the workpiece to be cut without the circular saw blade making any contact. Then turn the tool on and wait until the circular saw blade attains full speed. Now simply move the tool forward over the workpiece surface, keeping it flat and advancing smoothly until the sawing is completed.

To get clean cuts, keep your sawing line straight and your speed of advance uniform. If the cut fails to properly follow your intended cut line, do not attempt to turn or force the tool back to the cut line. Doing so may bind the circular saw blade and lead to dangerous kickback and possible serious injury. Release switch, wait for circular saw blade to stop and then withdraw tool. Realign tool on new cut line, and start cut again. Attempt to avoid positioning which exposes operator to chips and wood dust being ejected from saw. Use eye protection to help avoid injury.

Rip fence (Guide rule)

⚠ CAUTION: Make sure that the rip fence is securely installed in the correct position before use. Improper attachment may cause dangerous kickback.

► **Fig.30:** 1. Rip fence (Guide rule) 2. Clamping screw

The handy rip fence allows you to do extra-accurate straight cuts. Simply slide the rip fence up snugly against the side of the workpiece and secure it in position with the clamping screw on the front of the base. It also makes repeated cuts of uniform width possible.

Guide rail

Optional accessory

Place the tool on the rear end of guide rail. Turn two adjusting screws on the tool base so that the tool slides smoothly without a clatter. Hold both the front grip and rear handle of the tool firmly. Turn on the tool and cut the splinter-guard along the full length with a stroke. Now the edge of the splinter-guard corresponds to the cutting edge.

► **Fig.31:** 1. Adjusting screws

When bevel cutting with the guide rail, use the slide lever to prevent the tool from falling over. Move the slide lever on the tool base in the direction of arrow so that it engages the undercut groove in the guide rail.

► **Fig.32:** 1. Slide lever

Lanyard (tether strap) connection

▲ Safety warnings specific for use at height

Read all safety warnings and instructions. Failure to follow the warnings and instructions may result in serious injury.

1. **Always keep the tool tethered when working "at height". Maximum lanyard length is 2 m (6.5 ft). The maximum permissible fall height for lanyard (tether strap) must not exceed 2 m (6.5 ft).**
 2. **Use only with lanyards appropriate for this tool type and rated for at least 7.0 kg (15.4 lbs).**
 3. **Do not anchor the tool lanyard to anything on your body or on movable components. Anchor the tool lanyard to a rigid structure that can withstand the forces of a dropped tool.**
 4. **Make sure the lanyard is properly secured at each end prior to use.**
 5. **Inspect the tool and lanyard before each use for damage and proper function (including fabric and stitching). Do not use if damaged or not functioning properly.**
 6. **Do not wrap lanyards around or allow them to come in contact with sharp or rough edges.**
 7. **Fasten the other end of the lanyard outside the working area so that a falling tool is held securely.**
 8. **Attach the lanyard so that the tool will move away from the operator if it falls.** Dropped tools will swing on the lanyard, which could cause injury or loss of balance.
 9. **Do not use near moving parts or running machinery.** Failure to do so may result in a crush or entanglement hazard.
 10. **Do not carry the tool by the attachment device or the lanyard.**
 11. **Only transfer the tool between your hands while you are properly balanced.**
 12. **Do not attach lanyards to the tool in a way that keeps guards, switches or lock-offs from operating properly.**
 13. **Avoid getting tangled in the lanyard.**
 14. **Keep lanyard away from the cutting area of the tool.**
 15. **Use multi-action and screw gate type carabineers. Do not use single action spring clip carabineers.**
 16. **In the event the tool is dropped, it must be tagged and removed from service, and should be inspected by a Makita Factory or Authorized Service Center.**
- **Fig.33:** 1. Hole for lanyard (tether strap)

WIRELESS ACTIVATION FUNCTION

What you can do with the wireless activation function

The wireless activation function enables clean and comfortable operation. By connecting a supported vacuum cleaner to the tool, you can run the vacuum cleaner automatically along with the switch operation of the tool.

► **Fig.34**

To use the wireless activation function, prepare following items:

- A wireless unit (optional accessory)
- A vacuum cleaner which supports the wireless activation function

The overview of the wireless activation function setting is as follows. Refer to each section for detail procedures.

1. Installing the wireless unit
2. Tool registration for the vacuum cleaner
3. Starting the wireless activation function

Installing the wireless unit

Optional accessory

▲ CAUTION: Place the tool on a flat and stable surface when installing the wireless unit.

NOTICE: Clean the dust and dirt on the tool before installing the wireless unit. Dust or dirt may cause malfunction if it comes into the slot of the wireless unit.

NOTICE: To prevent the malfunction caused by static, touch a static discharging material, such as a metal part of the tool, before picking up the wireless unit.

NOTICE: When installing the wireless unit, always be sure that the wireless unit is inserted in the correct direction and the lid is completely closed.

1. Open the lid on the tool as shown in the figure.

► **Fig.35:** 1. Lid

2. Insert the wireless unit to the slot and then close the lid.

When inserting the wireless unit, align the projections with the recessed portions on the slot.

► **Fig.36:** 1. Wireless unit 2. Projection 3. Lid 4. Recessed portion

When removing the wireless unit, open the lid slowly. The hooks on the back of the lid will lift the wireless unit as you pull up the lid.

► **Fig.37:** 1. Wireless unit 2. Hook 3. Lid

After removing the wireless unit, keep it in the supplied case or a static-free container.

NOTICE: Always use the hooks on the back of the lid when removing the wireless unit. If the hooks do not catch the wireless unit, close the lid completely and open it slowly again.

Tool registration for the vacuum cleaner

NOTE: A Makita vacuum cleaner supporting the wireless activation function is required for the tool registration.

NOTE: Finish installing the wireless unit to the tool before starting the tool registration.

NOTE: During the tool registration, do not pull the switch trigger or turn on the power switch on the vacuum cleaner.

NOTE: Refer to the instruction manual of the vacuum cleaner, too.

If you wish to activate the vacuum cleaner along with the switch operation of the tool, finish the tool registration beforehand.

1. Install the batteries to the vacuum cleaner and the tool.

2. Set the stand-by switch on the vacuum cleaner to "AUTO".

► **Fig.38:** 1. Stand-by switch

3. Press the wireless activation button on the vacuum cleaner for 3 seconds until the wireless activation lamp blinks in green. And then press the wireless activation button on the tool in the same way.

► **Fig.39:** 1. Wireless activation button 2. Wireless activation lamp

If the vacuum cleaner and the tool are linked successfully, the wireless activation lamps will light up in green for 2 seconds and start blinking in blue.

NOTE: The wireless activation lamps finish blinking in green after 20 seconds elapsed. Press the wireless activation button on the tool while the wireless activation lamp on the cleaner is blinking. If the wireless activation lamp does not blink in green, push the wireless activation button briefly and hold it down again.

NOTE: When performing two or more tool registrations for one vacuum cleaner, finish the tool registration one by one.

Starting the wireless activation function

NOTE: Finish the tool registration for the vacuum cleaner prior to the wireless activation.

NOTE: Refer to the instruction manual of the vacuum cleaner, too.

After registering a tool to the vacuum cleaner, the vacuum cleaner will automatically runs along with the switch operation of the tool.

1. Install the wireless unit to the tool.

2. Connect the hose of the vacuum cleaner with the tool.

► **Fig.40**

3. Set the stand-by switch on the vacuum cleaner to "AUTO".

► **Fig.41:** 1. Stand-by switch

4. Push the wireless activation button on the tool briefly. The wireless activation lamp will blink in blue.

► **Fig.42:** 1. Wireless activation button 2. Wireless activation lamp

5. Pull the switch trigger of the tool. Check if the vacuum cleaner runs while the switch trigger is being pulled.

To stop the wireless activation of the vacuum cleaner, push the wireless activation button on the tool.

NOTE: The wireless activation lamp on the tool will stop blinking in blue when there is no operation for 2 hours. In this case, set the stand-by switch on the vacuum cleaner to "AUTO" and push the wireless activation button on the tool again.

NOTE: The vacuum cleaner starts/stops with a delay. There is a time lag when the vacuum cleaner detects a switch operation of the tool.










NOTE: The transmission distance of the wireless unit may vary depending on the location and surrounding circumstances.

NOTE: When two or more tools are registered to one vacuum cleaner, the vacuum cleaner may start running even if you do not pull the switch trigger because another user is using the wireless activation function.

Description of the wireless activation lamp status

► Fig.43: 1. Wireless activation lamp

The wireless activation lamp shows the status of the wireless activation function. Refer to the table below for the meaning of the lamp status.

Status	Wireless activation lamp				Description
	Color	 On	 Blinking	Duration	
Standby	Blue			2 hours	The wireless activation of the vacuum cleaner is available. The lamp will automatically turn off when no operation is performed for 2 hours.
				When the tool is running.	The wireless activation of the vacuum cleaner is available and the tool is running.
Tool registration	Green			20 seconds	Ready for the tool registration. Waiting for the registration by the vacuum cleaner.
				2 seconds	The tool registration has been finished. The wireless activation lamp will start blinking in blue.
Cancelling tool registration	Red			20 seconds	Ready for the cancellation of the tool registration. Waiting for the cancellation by the vacuum cleaner.
				2 seconds	The cancellation of the tool registration has been finished. The wireless activation lamp will start blinking in blue.
Others	Red			3 seconds	The power is supplied to the wireless unit and the wireless activation function is starting up.
	Off	-		-	The wireless activation of the vacuum cleaner is stopped.

Cancelling tool registration for the vacuum cleaner

Perform the following procedure when cancelling the tool registration for the vacuum cleaner.

1. Install the batteries to the vacuum cleaner and the tool.
2. Set the stand-by switch on the vacuum cleaner to "AUTO".

► Fig.44: 1. Stand-by switch

3. Press the wireless activation button on the vacuum cleaner for 6 seconds. The wireless activation lamp blinks in green and then become red. After that, press the wireless activation button on the tool in the same way.

► Fig.45: 1. Wireless activation button 2. Wireless activation lamp

If the cancellation is performed successfully, the wireless activation lamps will light up in red for 2 seconds and start blinking in blue.

NOTE: The wireless activation lamps finish blinking in red after 20 seconds elapsed. Press the wireless activation button on the tool while the wireless activation lamp on the cleaner is blinking. If the wireless activation lamp does not blink in red, push the wireless activation button briefly and hold it down again.

Troubleshooting for wireless activation function

Before asking for repairs, conduct your own inspection first. If you find a problem that is not explained in the manual, do not attempt to dismantle the tool. Instead, ask Makita Authorized Service Centers, always using Makita replacement parts for repairs.

State of abnormality	Probable cause (malfunction)	Remedy
The wireless activation lamp does not light/blink.	The wireless unit is not installed into the tool. The wireless unit is improperly installed into the tool.	Install the wireless unit correctly.
	The terminal of the wireless unit and/or the slot is dirty.	Gently wipe off dust and dirt on the terminal of the wireless unit and clean the slot.
	The wireless activation button on the tool has not been pushed.	Push the wireless activation button on the tool briefly.
	The stand-by switch on the vacuum cleaner is not set to "AUTO".	Set the stand-by switch on the vacuum cleaner to "AUTO".
	No power supply	Supply the power to the tool and the vacuum cleaner.
Cannot finish tool registration / cancelling tool registration successfully.	The wireless unit is not installed into the tool. The wireless unit is improperly installed into the tool.	Install the wireless unit correctly.
	The terminal of the wireless unit and/or the slot is dirty.	Gently wipe off dust and dirt on the terminal of the wireless unit and clean the slot.
	The stand-by switch on the vacuum cleaner is not set to "AUTO".	Set the stand-by switch on the vacuum cleaner to "AUTO".
	No power supply	Supply the power to the tool and the vacuum cleaner.
	Incorrect operation	Push the wireless activation button briefly and perform the tool registration/cancellation procedures again.
	The tool and vacuum cleaner are away from each other (out of the transmission range).	Get the tool and vacuum cleaner closer to each other. The maximum transmission distance is approximately 10 m however it may vary according to the circumstances.
	Before finishing the tool registration/cancellation; - the switch trigger on the tool is pulled or; - the power button on the vacuum cleaner is turned on.	Push the wireless activation button briefly and perform the tool registration/cancellation procedures again.
	The tool registration procedures for the tool or vacuum cleaner have not finished.	Perform the tool registration procedures for both the tool and the vacuum cleaner at the same timing.
	Radio disturbance by other appliances which generate high-intensity radio waves.	Keep the tool and vacuum cleaner away from the appliances such as Wi-Fi devices and microwave ovens.
The vacuum cleaner does not run along with the switch operation of the tool.	The wireless unit is not installed into the tool. The wireless unit is improperly installed into the tool.	Install the wireless unit correctly.
	The terminal of the wireless unit and/or the slot is dirty.	Gently wipe off dust and dirt on the terminal of the wireless unit and clean the slot.
	The wireless activation button on the tool has not been pushed.	Push the wireless activation button briefly and make sure that the wireless activation lamp is blinking in blue.
	The stand-by switch on the vacuum cleaner is not set to "AUTO".	Set the stand-by switch on the vacuum cleaner to "AUTO".
	More than 10 tools are registered to the vacuum cleaner.	Perform the tool registration again. If more than 10 tools are registered to the vacuum cleaner, the tool registered earliest will be cancelled automatically.
	The vacuum cleaner erased all tool registrations.	Perform the tool registration again.
	No power supply	Supply the power to the tool and the vacuum cleaner.
	The tool and vacuum cleaner are away from each other (out of the transmission range).	Get the tool and vacuum cleaner closer each other. The maximum transmission distance is approximately 10 m however it may vary according to the circumstances.
Radio disturbance by other appliances which generate high-intensity radio waves.	Keep the tool and vacuum cleaner away from the appliances such as Wi-Fi devices and microwave ovens.	
The vacuum cleaner runs while the tool's switch trigger is not pulled.	Other users are using the wireless activation of the vacuum cleaner with their tools.	Turn off the wireless activation button of the other tools or cancel the tool registration of the other tools.

MAINTENANCE

⚠ CAUTION: Always be sure that the tool is switched off and the battery cartridge is removed before attempting to perform inspection or maintenance.

⚠ CAUTION: Clean out the upper and lower guards to ensure there is no accumulated sawdust which may impede the operation of the lower guarding system. A dirty guarding system may limit the proper operation which could result in serious personal injury. The most effective way to accomplish this cleaning is with compressed air. **If the dust is being blown out of the guards, be sure the proper eye and breathing protection is used.**

⚠ CAUTION: After each use, wipe off the saw dust on the tool. Fine saw dust may come inside the tool and cause malfunction or a fire.

NOTICE: Never use gasoline, benzine, thinner, alcohol or the like. Discoloration, deformation or cracks may result.

To maintain product SAFETY and RELIABILITY, repairs, any other maintenance or adjustment should be performed by Makita Authorized or Factory Service Centers, always using Makita replacement parts.

Adjusting 0°-cut or 45°-cut accuracy

This adjustment has been made at the factory. But if it is off, you can adjust it as the following procedure.

1. Loosen the clamping screws on the front and rear of the tool so that the bevel angle can be changed. Set the stopper to 0° - 45° bevel angle position if you are going to adjust 45°-cut accuracy.

► **Fig.46:** 1. Clamping screw 2. Stopper

2. Make the base perpendicular or 45° to the circular saw blade using a triangular rule by turning the adjusting screw with a hex wrench. You can also use a square rule to adjust 0° angle.

► **Fig.47:** 1. Triangular rule

► **Fig.48:** 1. Adjusting screw for 0° angle 2. Adjusting screw for 45° angle

3. Tighten the clamping screws and then make a test cut to check if desired angle is obtained.

Adjusting the parallelism

⚠ CAUTION: Keep the parallelism accurate. Otherwise the circular saw blade may bite into the guide rail and the damaged guide rail may cause an injury.

This adjustment has been made at the factory. But if it is off, you can adjust it as the following procedure.

1. Set the tool to the maximum cutting depth.
2. Make sure all levers and screws are tightened.
3. Loosen the screws shown in the figure.
4. While opening the lower guard, move the rear of the base so that the distance A and B becomes equal.

► **Fig.49:** 1. Screw 2. Base

5. Tighten the screws and make a test cut to check the parallelism.

OPTIONAL ACCESSORIES

⚠ CAUTION: These accessories or attachments are recommended for use with your Makita tool specified in this manual. The use of any other accessories or attachments might present a risk of injury to persons. Only use accessory or attachment for its stated purpose.

If you need any assistance for more details regarding these accessories, ask your local Makita Service Center.

- Circular saw blade
- Rip fence (Guide rule)
- Hook
- Guide rail
- Bevel guide
- Clamp
- Sheet
- Rubber sheet
- Position sheet
- Dust nozzle
- Hex wrench
- Wireless unit
- Makita genuine battery and charger

NOTE: Some items in the list may be included in the tool package as standard accessories. They may differ from country to country.

TEHNIČNI PODATKI

Model:		HS004G
Premer rezila		185 mm – 190 mm
Maksimalna globina reza	pod kotom 0°	60,0 mm – 62,5 mm
	pod kotom 45°	43,0 mm – 44,5 mm
	pod kotom 48°	41,0 mm – 42,0 mm
Hitrost brez obremenitve		6.000 min ⁻¹
Nazivna napetost		D.C. od 36 V do najv. 40 V
Celotna dolžina	z BL4025	322 mm
	z BL4040	337 mm
Neto teža		4,4 – 4,7 kg

- Ker nenehno opravljamo raziskave in razvijamo svoje izdelke, se lahko tehnični podatki v tem dokumentu spremenijo brez obvestila.
- Tehnični podatki in baterijski vložki se lahko razlikujejo glede na državo uporabe izdelka.
- Teža se lahko razlikuje glede na priključke, vključno z akumulatorsko baterijo. Najlažja in najtežja kombinacija v skladu s postopkom EPTA 01/2014 sta prikazani v preglednici.

Uporabna akumulatorska baterija in polnilnik

Baterijski vložek	BL4025/BL4040
Polnilnik	DC40RA

- Nekatere zgoraj navedene akumulatorske baterije in polnilniki morda v vaši državi prebivališča niso na voljo.

⚠ OPOZORILO: Uporabljajte le zgoraj navedene akumulatorske baterije in polnilnike. Uporaba drugih akumulatorskih baterij in polnilnikov lahko povzroči telesne poškodbe in/ali požar.

Predvidena uporaba

Orodje je namenjeno za izvajanje vzdolžnih in prečnih ravnih in zajeralnih rezov pod kotom v les, medtem ko je trdno prislono ob obdelovanec. Z ustreznimi originalnimi rezili žage Makita lahko žagate tudi druge materiale.

Hrup

Običajna A-ovrednotena raven hrupa v skladu z EN62841-2-5:

Raven zvočnega tlaka (L_{pA}): 93 dB (A)

Raven zvočne moči (L_{WA}): 104 dB (A)

Odstopanje (K): 3 dB (A)

OPOMBA: Navedene vrednosti oddajanja hrupa so bile izmerjene v skladu s standardnimi metodami testiranja in se lahko uporabljajo za primerjavo orodij.

OPOMBA: Navedene vrednosti oddajanja hrupa se lahko uporabljajo tudi pri predhodni oceni izpostavljenosti.

⚠ OPOZORILO: Uporabljajte zaščito za sluh.

⚠ OPOZORILO: Oddajanje hrupa med dejansko uporabo električnega orodja se lahko razlikuje od navedenih vrednosti, odvisno od načina uporabe orodja in predvsem vrste obdelovanca.

⚠ OPOZORILO: Upravljevalec mora za lastno zaščito poznati varnostne ukrepe, ki temeljijo na oceni izpostavljenosti v dejanskih pogojih uporabe (poleg časa proženja je treba upoštevati celoten delovni cikel, vključno s časom, ko je orodje izklopljeno, in časom, ko deluje v prostem teku).

Vibracije

Skupne vrednosti vibracij (vektorska vsota treh osi) v skladu z EN62841-2-5:

Delovni način: rezanje lesa

Emisije vibracij ($a_{h,w}$): 2,5 m/s² ali manj

Odstopanje (K): 1,5 m/s²

Delovni način: rezanje kovine

Emisije vibracij ($a_{h,M}$): 2,5 m/s² ali manj

Odstopanje (K): 1,5 m/s²

OPOMBA: Navedene skupne vrednosti oddajanja vibracij so bile izmerjene v skladu s standardnimi metodami testiranja in se lahko uporabljajo za primerjavo orodij.

OPOMBA: Navedene skupne vrednosti oddajanja vibracij se lahko uporabljajo tudi pri predhodni oceni izpostavljenosti.

⚠ OPOZORILO: Oddajanje vibracij med dejansko uporabo električnega orodja se lahko razlikuje od navedenih vrednosti, odvisno od načina uporabe orodja in predvsem vrste obdelovanca.

⚠ OPOZORILO: Upravljaavec mora za lastno zaščito poznati varnostne ukrepe, ki temeljijo na oceni izpostavljenosti v dejanskih pogojih uporabe (poleg časa proženja je treba upoštevati celoten delovni cikel, vključno s časom, ko je orodje izklopljeno, in časom, ko deluje v prostem teku).

Izjava o skladnosti ES

Samo za evropske države

Izjava ES o skladnosti je vključena v dodatku A, ki je priložen tem navodilom za uporabo.

VARNOSTNA OPOZORIILA

Splošna varnostna opozorila za električno orodje

⚠ OPOZORILO: Preberite vsa varnostna opozorila in navodila s slikami in tehničnimi podatki, ki so dobavljeni skupaj z električnim orodjem. Ob neupoštevanju spodaj navedenih navodil obstaja nevarnost električnega udara, požara in/ali hudih telesnih poškodb.

Shranite vsa opozorila in navodila za poznejšo uporabo.

Izraz „električno orodje“ v opozorilih se nanaša na vaše električno orodje (s kablom) ali baterijsko električno orodje (brez kabla).

Varnostna opozorila za uporabo brezžične krožne žage

Postopki rezanja

- 1. ⚠ NEVARNOST:** Ne približujte rok območju rezanja in rezilu. Drugo roko imejte na pomožnem ročaju ali ohišju motorja. Če držite žago z obema rokama, ju rezilo ne more poškodovati.
- 2. Ne segajte pod obdelovanca.** Ščitnik vas pod obdelovancem ne more varovati pred rezilom.
- 3. Prilagodite globino rezanja debelini obdelovanca.** Pod obdelovancem ne sme biti vidna več kot ena dolžina zobca.
- 4. Med rezanjem nikoli ne držite obdelovanca v rokah ali prek nog.** Pritrdite obdelovanec na stabilno podlago. Pomembno je, da je obdelovanec ustrezno podprt, da zmanjšate izpostavljenost telesa ter možnost zagozditve rezila ali izgube nadzora.

► SI.1

- 5. Če obstaja nevarnost, da bi z rezalnim orodjem prerezali skrito električno napeljavo, držite električno orodje za izolirane držalne površine.** Ob stiku z vodniki pod napetostjo dobijo napetost vsi neizolirani kovinski deli električnega orodja, zaradi česar lahko upravljaavec utrpi električni udar.
- 6. Med vzporednim rezanjem vedno uporabite vzporedni prislon ali vodilo z ravnim robom.** S tem boste izboljšali natančnost reza in zmanjšali možnost zagozditve rezila.
- 7. Vedno uporabljajte rezila prave velikosti in oblike osnih lukenj (diamantna ali krožna).** Rezila, ki jih ni mogoče ustrezno namestiti na orodje, bodo delovala ekscentrično, kar bo povzročilo izgubo nadzora.
- 8. Nikoli ne uporabljajte poškodovanih ali nepravilnih tesnil ali vijakov rezila.** Tesnila in vijaki rezila so bila posebej narejena za vašo žago, da zagotovijo optimalno učinkovitost in varnost pri delu.

Vzroki za povratni udarec in s tem povezana opozorila

- povratni udarec je nenadna reakcija pri stisnitvem, zagozdenem ali neporavnem žaginem listu, ki povzroči nenadzorovan dvig žage iz obdelovanca proti upravljavcu;
 - če je rezilo stisnjeno ali trdno zagozdeno v zapirajoči se špranji, se ustavi in reakcija motorja hitro vrže enoto nazaj proti upravljavcu;
 - če se rezilo med rezom zvije ali je napačno poravnano, se lahko zobci na zadnjem robu rezila zataknejo v zgornjo površino lesa, kar povzroči, da rezilo pade iz špranje in skoči proti upravljavcu.
- Povratni udarec je posledica nestrokovnega ravnanja z žago in/ali neugodnih okoliščin. Preprečite ga lahko z upoštevanjem spodaj navedenih opozoril.

- 1. Trdno držite žago z obema rokama in namestite roki, da se uprete silam povratnega udarca.** Namestite telo na katero koli stran rezila in ne poravnano z rezilom. Povratni udarec lahko povzroči skok žage nazaj, vendar lahko sile povratnega udarca upravljaavec nadzoruje, če izvede pravilne varnostne ukrepe.
- 2. Ko se rezilo zatakne ali če iz katerega koli razloga prekinete z rezanjem, spustite sprožilnik in negibno držite žago v materialu, dokler se rezilo popolnoma ne ustavi.** Nikoli ne skušajte odstraniti žage iz obdelovanca in je ne poskušajte povleči nazaj, dokler se žaga premika. V nasprotnem primeru lahko pride do povratnega udarca. Preverite in odpravite vzrok oviranja rezila.
- 3. Kadar ponovno zaganjate žago v obdelovancu, poravnajte žagin list v špranji, tako da žagin zobci niso zagozdeni v materialu.** Če se žagin list zagozdi, se lahko premakne ali udari iz obdelovanca, ko znova zaženete žago.
- 4. Pod velike plošče postavite podporo, da zmanjšate možnost zagozdenja rezila ali povratnega udarca.** Velike plošče se lahko zaradi lastne teže povesijo. Podpore je treba postaviti pod ploščo na obeh straneh v bližini linije reza in blizu roba plošče.

► SI.2

► SI.3

5. **Ne uporabljajte topih ali poškodovanih rezil.** Nenabrušena ali nepravilno nastavljena rezila naredijo ozko špranjo, kar povzroči čezmerno trenje, zagozdenje rezila in povratni udarec.
6. **Ročici za nastavljanje globine reza in prilagoditev poševnosti morata biti trdno in varno pritrjeni pred začetkom rezanja.** Če se prilagodeni položaj rezila med rezanjem spremeni, lahko povzroči oviranje in povratni udarec.
7. **Bodite še posebej previdni, kadar režete v obstoječe stene ali druga slepa območja.** Rezilo lahko prereže predmete, ki lahko povzročijo povratni udarec.
8. **VEDNO trdno držite orodje z obema rokama. NIKOLI ne polagajte rok, nog ali katerega koli drugega dela telesa pod osnovno plosčico orodja ali za žago, zlasti kadar izvajate prečne reze.** V primeru povratnega udarca lahko žaga odskoči nazaj preko vaše roke in povzroči hude telesne poškodbe.

► SI.4

9. **Nikoli ne pritiskajte žage. Potisnite žago naprej s hitrostjo, pri kateri rezilo reže brez upočasnjevanja.** Pritiskanje na žago lahko povzroči neravne reze, nenatančnost in morebiten povratni udarec.

Funkcija ščitnika

1. **Pred vsako uporabo preverite, če se spodnji ščitnik pravilno zapira. Ne uporabljajte žage, če se spodnji ščitnik ne premika prosto in se ne zapira. Nikoli ne pritrjujte ali privezujete spodnjega ščitnika v odprtem položaju.** Če vam žaga po nesreči pade, se lahko spodnji ščitnik zvije. Dvignite spodnji ščitnik z zategovalno ročico in se prepričajte, da se prosto premika in se ne dotika rezila ali katerega koli dela pri vseh kotih in globinah reza.
2. **Preverite delovanje vzmeti spodnjega ščitnika. Če ščitnik in vzmet ne delujeta pravilno, ju je treba pred uporabo servisirati.** Spodnji ščitnik lahko deluje počasi zaradi poškodovanih delov, ostankov gume ali nabranih ostružkov.
3. **Spodnji ščitnik lahko ročno odmaknete samo pri posebnih rezih, kot so „ugreznjeni rezi“ in „sestavljene rezi“.** Dvignite spodnji ščitnik, tako da povlečete ročico, ko pa rezilo vstopi v material, je treba spodnji ščitnik spustiti. Pri vseh drugih načinih žaganja mora spodnji ščitnik delovati samodejno.
4. **Preden odložite žago na mizo ali tla, vedno pazite, da spodnji ščitnik pokriva rezilo.** Nezaščiten rezilo v prostem teku bo povzročilo premik žage nazaj, ki bo rezala vse, kar ji bo napoti. Upoštevajte čas, ki je potreben za zaustavitev rezila, ko izpustite stikalo.
5. **Delovanje spodnjega ščitnika preverite tako, da ga ročno odprete, izpustite in opazujete zapirana. Prav tako se prepričajte, da se zategovalna ročica ne dotika ohišja orodja.** Odlaganje orodja z nezaščitenim rezilom je ZELO NEVARNO in lahko povzroči hude telesne poškodbe.

Dodatna varnostna opozorila

1. **Bodite posebej previdni pri rezanju vlažnega lesa, s tlakom obdelanega lesa ali grčavega lesa.** Orodje mora napredovati gladko brez zmanjšanja hitrosti rezila, da se prepreči pregrevanje konice rezila.

2. **Ne poskušajte odstraniti odrezanega materiala, medtem ko se rezilo premika. Preden primete rezan material, počakajte, da se rezilo ustavi.** Rezilo je po izklopu v prostem teku.
3. **Izogibajte se rezanju žebeljev. Pred rezanjem poiščite vse žebelje in jih odstranite iz lesa.**
4. **Širši del podstavka žage postavite na tisti del obdelovanca, ki je trdno podprt, in ne na del, ki bo po končanem rezu odpadel. Če je obdelovanec kratak ali majhen, ga pritrдите. NE POSKUŠAJTE DRŽATI KRATKEGA OBDELOVANCA V ROKI!**

► SI.5

5. **Pred odložitvijo orodja po končanem rezu se prepričajte, da se je ščitnik zaprl in se je rezilo popolnoma ustavilo.**
6. **Nikoli ne poskušajte žagati s krožno žago, tako da jo vpnete v primež obrnjeno na glavo.** To je izjemno nevarno in lahko povzroči hudo nesrečo.

► SI.6

7. **Nekateri materiali vsebujejo kemikalije, ki so lahko strupene. Bodite previdni ter preprečite vdihavanje prahu in stik s kožo. Upoštevajte varnostne podatke dobavitelja materiala.**
8. **Ne zaustavljajte rezila z bočnim pritiskom na žagin list.**
9. **Ne uporabljajte abrazivnih plošč.**
10. **Uporabljajte le rezila žage s premerom, ki je označen na orodju ali naveden v priročniku.** Uporaba rezila nepravilne velikosti lahko vpliva na ustrezno zaščito rezila ali delovanje ščitnika, zaradi česar lahko pride do hudih telesnih poškodb.
11. **Rezilo mora biti ostro in čisto.** Guma in lesna smola, strjena na rezilu, upočasnjuje žago in poveča možnost povratnega udarca. Ohranite čisto rezilo, tako da ga najprej odstranite z orodja, ga očistite s sredstvom za odstranjevanje gume in smole, vročo vodo ali kerozinom. Nikoli ne uporabljajte bencina.
12. **Med uporabo orodja nosite protiprašno masko in zaščito za sluh.**
13. **Vedno uporabljajte žagin list, ki je namenjen rezanju izbranega materiala.**
14. **Uporabljajte le žagine liste, ki so označeni s hitrostjo, ki je enaka ali višja od hitrosti, označene na orodju.**
15. **(Samo za evropske države)**
Vedno uporabljajte rezilo, ki je skladno s standardom EN847-1.
16. **Orodje in dele postavite na ravno in stabilno površino.** V nasprotnem primeru lahko orodje ali deli padejo in povzročijo telesne poškodbe.

SHRANITE TA NAVODILA.

▲ OPOZORILO: NE dovolite, da bi zaradi udobnejšega dela ali znanja o uporabi izdelka (pridobljenega z večkratno uporabo) opustili strogo upoštevanje varnostnih zahtev v okviru pravilne uporabe orodja. ZLORABA ali neupoštevanje varnostnih zahtev v teh navodilih za uporabo lahko povzroči resne telesne poškodbe.

Pomembna varnostna navodila za akumulatorsko baterijo

1. **Pred uporabo baterijskega vložka preberite vsa navodila in opozorilne oznake na (1) polnilniku akumulatorja, (2) akumulatorju in (3) izdelku, ki uporablja akumulator.**
2. **Ne razstavljajte ali spreminjajte akumulatorske baterije.** S tem lahko povzročite požar, prekomerno vročino ali eksplozijo.
3. **Če se je čas delovanja občutno skrajšal, takoj prenehajte uporabljati orodje.** V nasprotnem primeru lahko pride do pregretja, morebitnih opeklin in celo eksplozije.
4. **Če pride elektrolit v stik z očmi, jih sperite s čisto vodo in takoj poiščite zdravniško pomoč.** Posledica je lahko izguba vida.
5. **Ne povzročite kratkega stika baterijskega vložka:**

- (1) **Ne dotikajte se priključkov s kakršnim koli prevodnim materialom.**
- (2) **Izogibajte se shranjevanju baterijskega vložka v vsebniku z drugimi kovinskimi predmeti kot so željnji, kovanci itn.**
- (3) **Ne izpostavljajte baterijskega vložka vodi ali dežju.**

Kratek stik akumulatorja lahko povzroči velik električni tok, pregrevanje, morebitne opekline in celo okvaro.

6. **Ne shranjajte orodja in baterijskega vložka na mestih, kjer lahko temperatura doseže ali preseže 50 °C.**
7. **Ne sežigajte baterijskega vložka, tudi če je hudo poškodovan ali v celoti izprazen.** Baterijski vložek lahko v ognju eksplodira.
8. **Ne pribijajte, režite, drobite, mečite, spuščajte akumulatorske baterije oziroma ne udarjajte z akumulatorsko baterijo po trdem predmetu.** Takšno ravnanje lahko povzroči požar, prekomerno vročino ali eksplozijo.
9. **Ne uporabljajte poškodovanih akumulatorjev.**
10. **Priložene litij-ionske baterije ustrezajo zahtevam zakonodaje v zvezi z nevarnim blagom.** Za komercialne prevoze, npr. tiste, ki jih opravljajo tretje stranke in carinski posredniki, je treba upoštevati posebne zahteve v zvezi z embalažo in označevanjem.
Med postopkom priprave na odpremo izdelka se je treba posvetovati s strokovnjakom za nevarne snovi. Pri tem upoštevajte tudi podrobnejše nacionalne predpise.
Odprte stike oblepite z lepilnim trakom ali jih drugače zaščitite, baterijo pa zapakirajte tako, da se v embalaži ne more premikati.
11. **Ko odstranjujete akumulatorsko baterijo, jo vzemite iz orodja in varno zavržite.** Upoštevajte lokalne uredbe glede odlaganja baterije.
12. **Baterije uporabljajte le z izdelki, ki jih določa Makita.** Če namestite baterije v neskladne izdelke, lahko pride do požara, pregrevanja, eksplozije ali puščanja elektrolita.
13. **Če orodja dlje časa ne uporabljate, morate iz njega odstraniti baterijo.**

14. **Med uporabo in po uporabi lahko akumulatorska baterija postane vroča in povzroči opekline.** Z vročimi akumulatorskimi baterijami ravnajte pazljivo.
15. **Ne dotikajte se priključka orodja takoj po uporabi, ker se lahko dovolj segreje, da povzroči opekline.**
16. **Ne dovolite, da bi se v priključke, odprtine in utore akumulatorske baterije zlepli ostružki, prah ali zemlja.** Umazanija lahko povzroči slabše delovanje ali okvaro orodja oziroma akumulatorske baterije.
17. **Razen če orodje podpira uporabo v bližini visokonapetostnih električnih vodov, akumulatorske baterije ne uporabljajte v bližini visokonapetostnih električnih vodov.** Takšna uporaba lahko povzroči motnje v delovanju ali okvaro orodja oziroma akumulatorske baterije.

SHRANITE TA NAVODILA.

⚠ POZOR: Uporabljajte le originalne baterije Makita. Če uporabljate neoriginalne baterije Makita ali baterije, ki so bile spremenjene, lahko pride do eksplozije baterije in posledično do požara, telesnih poškodb ali materialne škode. S takšno uporabo boste tudi razveljavili garancijo Makita za orodje in polnilnik Makita.

Nasveti za ohranjanje največje zmogljivosti akumulatorja

1. **Napolnite baterijski vložek, preden se v celoti izprazni.** Ko opazite, da ima orodje manjšo moč, vedno ustavite delovanje orodja in napolnite baterijski vložek.
2. **Nikoli znova ne polnite popolnoma napolnjenega baterijskega vložka.** Prenapolnjenje skrajša življenjsko dobo akumulatorja.
3. **Baterijski vložek s sobno temperaturo polnite pri temperaturi okolja od 10 °C do 40 °C.** Počakajte, da se vroč baterijski vložek pred polnjenjem ohladi.
4. **Ko akumulatorske baterije ne uporabljate, jo odstranite iz orodja ali polnilnika.**
5. **Če baterijskega vložka ne uporabljate dalj časa (več kot 6 mesecev), ga napolnite.**

Pomembna varnostna navodila za brezžično enoto

1. **Ne razstavljajte ali spreminjajte brezžične enote.**
2. **Brezžično enoto hranite izven dosega majhnih otrok.** Če pride do nenamernega zaužitja, takoj poiščite zdravniško pomoč.
3. **Brezžično enoto uporabljajte samo z orodji Makita.**
4. **Brezžične enote ne izpostavljajte dežju ali mokrim pogojem.**
5. **Brezžične enote ne uporabljajte na mestih, kjer temperatura presega 50 °C.**
6. **Brezžične enote ne upravljajte na mestih v bližini medicinskih pripomočkov, kot so srčni spodbujevalniki.**

7. **Brezžične enote ne upravljajte na mestih v bližini avtomatiziranih naprav.** Sicer se lahko avtomatizirane naprave pokvarijo.
8. **Brezžične enote ne uporabljajte na mestih, kjer je visoka temperatura ali kjer lahko nastane statična elektrika ali električni šum.**
9. **Brezžična enota lahko proizvaja elektromagnetna polja (EMF), ki uporabniku niso škodljiva.**
10. **Brezžična enota je natančna naprava.** Poskrbite, da brezžična enota ne bo izpostavljena padcem ali udarcem.
11. **Ne dotikajte se priključka brezžične enote z golimi rokami ali kovinskimi materiali.**
12. **Ko nameščate brezžično enoto v izdelek, vedno odstranite baterijo iz izdelka.**
13. **Ko odpirate pokrov reže, se izogibajte mestu, kjer lahko prah in voda vstopita skozi režo. Dovod reže mora biti vedno čist.**
14. **Brezžično enoto vedno vstavite v pravi smeri.**
15. **Gumba za brezžično aktivacijo na brezžični enoti ne pritiskajte premočno in/ali s predmetom, ki ima oster rob.**
16. **Pri upravljanju vedno zaprite pokrov reže.**
17. **Ne odstranjujte brezžične enote iz reže, ko je orodje priključeno na napajanje.** V nasprotnem primeru lahko povzročite okvaro brezžične enote.
18. **Ne odstranite nalepke na brezžični enoti.**
19. **Na brezžično enoto ne lepите nobenih nalepk.**
20. **Brezžične enote ne puščajte na mestih, kjer lahko nastane statična elektrika ali električni šum.**
21. **Brezžične enote ne puščajte na mestih z visoko temperaturo, kot je na primer na soncu segret avto.**
22. **Brezžične enote ne puščajte na mestih, kjer je veliko prahu oziroma prašnih delcev, ali na mestih, kjer lahko nastane korozivni plin.**
23. **Zaradi nenadne spremembe temperature se lahko brezžična enota orosi. Ne uporabljajte brezžične enote, dokler se rosa popolnoma ne posuši.**
24. **Pri čiščenju brezžično enoto nežno obrišite s suho in mehko krpo. Ne uporabljajte bencina, razredčila, prevodne masti ipd.**
25. **Brezžično enoto shranjujte v priloženi škatli ali brez statični posodi.**
26. **V režo orodja lahko vstavljate smo brezžično enoto Makita in ne drugih naprav.**
27. **Ne uporabljajte orodja, če sta reža ali pokrov poškodovana.** Voda, prah in umazanija v reži lahko povzročijo okvaro.
28. **Pokrova reže ne vlečite in/ali obračajte več, kot je treba.** Če se pokrov odstrani z orodja, ga znova namestite.
29. **Zamenjajte pokrov reže, če se izgubi ali poškoduje.**

SHRANITE TA NAVODILA.

OPIS DELOVANJA

⚠️ POZOR: Pred nastavljanjem ali preizkusom delovanja orodja se prepričajte, ali je orodje izključeno in ali je akumulatorska baterija odstranjena.

Nameščanje ali odstranjevanje akumulatorske baterije

⚠️ POZOR: Vedno izklopite orodje, preden namestite ali odstranite akumulatorsko baterijo.

⚠️ POZOR: Kadar nameščate ali odstranjujete akumulatorsko baterijo, trdno držite orodje in akumulatorsko baterijo. Če orodja in akumulatorske baterije ne držite trdno, se lahko zgodi, da vam zdrsneta iz rok, posledica pa je lahko poškodba orodja in akumulatorske baterije ter telesna poškodba.

► **SI.7:** 1. Rdeči indikator 2. Gumb 3. Baterijski vložek

Če želite odstraniti akumulatorsko baterijo, jo potisnite iz orodja, pri tem pa pomikajte gumb na sprednji strani vložka.

Akumulatorsko baterijo vstavite tako, da poravnate jeziček na bateriji z utorom na ohišju in jo potisnete v ležišče. Potisnite jo do konca, da se zaskoči. Če je rdeči indikator na zgornji strani gumba viden, pomeni, da baterija ni ustrezno zaklenjena.

⚠️ POZOR: Vedno namestite akumulatorsko baterijo tako, da rdeči indikator ni več viden. Če tega ne upoštevate, lahko baterija nepričakovano pade iz orodja in poškoduje vas ali osebe v neposredni bližini.

⚠️ POZOR: Ne nameščajte akumulatorske baterije s silo. Če se akumulatorska baterija ne zaskoči zlahka, ni pravilno vstavljena.

Zaščitni sistem orodja/akumulatorja

Orodje je opremljeno z zaščitnim sistemom orodja/akumulatorja. Sistem samodejno prekine napajanje orodja, da podaljša življenjsko dobo orodja in akumulatorja. Orodje se bo samodejno zaustavilo med delovanjem, če sta orodje ali akumulator zamenjana pod naslednjimi pogoji. V nekaterih primerih svetijo indikatorji.

Zaščita pred preobremenitvijo

Kadar orodje uporabljate na način, ki povzroča uporabo neobičajno visokega toka, se orodje samodejno ustavi. V tem primeru izklopite orodje in prekinite delo, ki je povzročilo preobremenitev orodja. Nato vklopite orodje in ga znova zaženite.

Zaščita pred pregrevanjem

Če je orodje ali akumulator pregret, se orodje samodejno ustavi in lučka začne utripati. V tem primeru počakajte, da se orodje in akumulator ohladi, preden znova vklopite orodje.

Zaščita pred izpraznjenjem

Ko se zmogljivost akumulatorja zmanjša, se orodje samodejno ustavi. Če izdelek ne deluje, tudi če so stikala vklopljena, odstranite akumulator iz orodja in ga napolnite.

Prikazuje preostalo raven napolnjenosti akumulatorja

Pritisnite gumb za preverjanje na baterijskem vložku, da preverite raven napolnjenosti akumulatorja. Indikatorske lučke na kratko zasvetijo.

► **SI.8:** 1. Indikatorske lučke 2. Gumb za preverjanje

Indikatorske lučke			Prikaz preostale ravni napolnjenosti
Sveti	Ne svetila	Utripa	
			od 75 % do 100 %
			od 50 % do 75 %
			od 25 % do 50 %
			od 0 % do 25 %
			Napolnite akumulator.
			Akumulator je morda okvarjen.

OPOMBA: Odvisno od pogojev uporabe in okoljske temperature se označba lahko nekoliko razlikuje od dejanske napolnjenosti.

Delovanje stikala

⚠ OPOZORILO: Preden vstavite akumulatorsko baterijo v orodje, se vedno prepričajte, da stikalo deluje brezhibno in se v raču v položaj za izklop (OFF), ko ga spustite.

⚠ OPOZORILO: NIKOLI ne onesposobite gumba za odklep, tako da ga zalepite ali podobno. Stikalo z onesposobljenim gumbom za odklep lahko privede do nenamernega delovanja in resnih telesnih poškodb.

⚠ OPOZORILO: NIKOLI ne uporabljajte orodja, kadar začne delovati, če pritisnete samo sprožilno stikalo in pri tem ne pritisnete gumba za odklep. Stikalo, ki ga je treba popraviti, lahko privede do nenamernega delovanja in hudih telesnih poškodb. PRED nadaljnjo uporabo vrnite orodje v servisni center Makita v ustrezno popravilo.

Za preprečevanje nenamerne sprožitve stikala je nameščen gumb za odklep. Za zagon orodja hkrati pritisnite gumb za odklep in sprožilno stikalo. Za izklop spustite stikalo.

► **SI.9:** 1. Sprožilno 2. Sprostilni gumb

OBVESTILO: Ne vlecite sprožilnega stikala močno, ne da bi pri tem pritisnili sprostilni gumb. Stikalo se namreč lahko zlomi.

⚠ POZOR: Takoj, ko spustite sprožilec, orodje začne zavirati vrtenje rezila krožne žage. Trdno držite orodje, da se odzovete na reakcijo zavore ob spustitvi sprožilca. Zaradi nenadnr reakcije vam lahko orodje pade iz rok ter povzroči telesno poškodbo.

Funkcija samodejne spremembe hitrosti

To orodje lahko deluje v „načinu z visoko hitrostjo“ in „načinu z visokim navorom“. Orodje samodejno spremeni način delovanja glede na delovno obremenitev. Če je delovna obremenitev nizka, orodje deluje v „načinu z visoko hitrostjo“ za hitrejšo rezanje. Če je delovna obremenitev visoka, orodje deluje v „načinu z visokim navorom“ za močnejše rezanje.

► **SI.10:** 1. Indikator načina

Indikator načina sveti zeleno, ko je orodje v „načinu z visokim navorom“.

Če orodje uporabljate s čezmerno obremenitvijo, indikator načina utripa zeleno. Indikator načina preneha utripati in zasveti ali se izklopi, če zmanjšate obremenitev orodja.

Stanje indikatorja načina			Način delovanja
<input checked="" type="radio"/> Sveti	<input type="radio"/> Ne svetila	<input type="radio"/> Utripa	
<input type="radio"/>	<input checked="" type="radio"/>	<input type="radio"/>	Način z visoko hitrostjo
<input type="radio"/>	<input type="radio"/>	<input checked="" type="radio"/>	Način z visokim navorom
<input type="radio"/>	<input type="radio"/>	<input type="radio"/>	Opozorilo o preobremenitvi

Nastavljanje globine rezanja

⚠ POZOR: Po nastavitvi globine rezanja vedno varno pritrdite ročico.

Sprostite ročico na omejevalniku globine in premaknite osnovno ploščo gor ali dol. Čvrsto pritrdite osnovno ploščo na željeni globini rezanja tako, da zategnete ročico. Za čistejšo in varnejšo rezanje nastavite globino reza tako, da en zob rezila sega pod obdelovanca. Uporaba ustrezne globine reza pomaga zmanjšati tveganje nevarnih POVRATNIH UDARCEV, ki lahko povzročijo telesne poškodbe.

► **SI.11:** 1. Ročica

Poševno rezanje

⚠ POZOR: Po nastavitvi poševnega kota vedno trdno pričvrstite vpenjalne vijake.

Odvijte vpenjalna vijaka. Nastavite zeleni poševni kot in trdno privijte vpenjalna vijaka.

► **SI.12:** 1. Vpenjalni vijak

Pri rezanju natančno pod kotom 45° uporabite omejevalni nastavek. Omejevalnik obrnite do konca, kot je prikazano na sliki, odvisno od poševnega rezanja 0° – 45° ali 0° – 48°.

► **SI.13:** 1. Omejevalnik

Poravnanje z linijo reza

Za ravne reze poravnajte položaj 0° na sprednji strani osnovne plošče z vašo linijo rezanja. Za poševne reze 45° poravnajte s položajem 45°.

► **SI.14:** 1. Linija reza (položaj pod kotom 0°) 2. Linija reza (položaj pod kotom 45°)

Prižiganje lučke

⚠ POZOR: Ne glejte neposredno v lučko ali vir svetlobe.

Če želite vklopiti le lučko, ne da bi zagnali orodje, pritisnite sprožilec, vendar ne pritisnite gumba za zaklep. Če želite vklopiti lučko, ko orodje deluje, pritisnite in zadržite gumb za zaklep ter pritisnite sprožilec. Lučka se izklopi 10 sekund zatem, ko spustite sprožilec.

► **SI.15:** 1. Lučka

OPOMBA: Uporabite suho krpo, da obrišete umazanijo z leče lučke. Pazite, da ne opraskate stekla lučke, ker praske občutno zmanjšajo svetilnost.

OPOMBA: Če je orodje pregreto, lučka utripa eno minuto. V tem primeru pred nadaljnjim delom ohladite orodje.

Kavelj

Dodatna oprema

⚠ POZOR: Kadar obešate orodje na kavelj, vedno odstranite akumulator.

⚠ POZOR: Orodja ne obešajte na visoka mesta ali morebiti nestabilna mesta, kot so površine. Sicer se lahko orodje prevrne in pade.

⚠ POZOR: Ko je orodje obešeno na kavelj, ga ne vlecite navzdol.

Kavelj je priročen za začasno obešanje orodja.

► **SI.16**

Pritrdite kavelj z vijaki, kot je prikazano na sliki.

► **SI.17:** 1. Kavelj 2. Vijak

Ko želite orodje obesiti, kavelj preprosto obrnite, da se zaskoči v odprti položaj.

Kadar kavlja ne uporabljate, ga obrnite tako, da se zaskoči v zaprti položaju.

► **SI.18:** 1. Odprti položaj 2. Zaprti položaj

Električna zavora

Orodje je opremljeno z električno zavoro rezila. Če orodje po sprostitvi preklopne ročice ne more hitro ustaviti rezila krožne žage, odnesite orodje na servisni center Makita.

⚠ POZOR: Sistem zavore rezila ne nadomešča ščitnika rezila. **ORODJA NIKOLI NE UPORABLJAJTE BREZ DELUJOČEGA ŠČITNIKA REZILA. PRIDE LAHKO DO HUJDIH TELESNIH POŠKODB.**

Elektronska funkcija

Orodja, opremljena z elektronsko funkcijo, imajo naslednje funkcije, ki lajšajo uporabo.

Funkcija mehkega zagona

Mehki zagon omogoča dušenje sunkov ob zagonu.

MONTAŽA

⚠ POZOR: Pred vsako izvedbo dela na orodju se prepričajte, da je le to izključeno in da je akumulatorska baterija odstranjena.

Shranjevanje inbus ključa

Ko inbus ključa ne uporabljate, ga shranite, kot je prikazano na sliki, da ga ne izgubite.

► **SI.19:** 1. Inbus ključ

Odstranjevanje ali nameščanje rezila krožne žage

⚠ POZOR: Prepričajte se, da je rezilo krožne žage nameščeno z navzgor obrnjenimi zobmi na čelni strani orodja.

⚠ POZOR: Za odstranitev ali namestitev rezila krožne žage uporabljajte samo inbus ključ Makita.

Za odstranjevanje rezila krožne žage do konca pritisnite zaporo vretena, tako da se rezilo krožne žage ne more vrteti, in z inbus ključem odvijte šestrobi vijak. Nato odstranite šestrobi vijak, zunanjo prirobnico, rezilo krožne žage in obroč (odvisno od države).

► **SI.20:** 1. Zapora vretena 2. Inbus ključ 3. Popustite 4. Zategnite

Za orodje brez obroča

► **SI.21:** 1. Šestrobi vijak 2. Zunanja prirobnica 3. Rezilo krožne žage 4. Puščica na rezilu krožne žage 5. Notranja prirobnica 6. Puščica na orodju

Za orodje z obročem

► **SI.22:** 1. Šestrobi vijak 2. Zunanja prirobnica 3. Rezilo krožne žage 4. Puščica na rezilu krožne žage 5. Obroč 6. Notranja prirobnica 7. Puščica na orodju

Novo rezilo krožne žage namestite v obratnem vrstnem redu. Poravnajte smer puščice na rezilu s puščico na orodju.

Za orodja z notranjo prirobnico za rezila, ki nimajo luknje premera 15,88 mm

Notranja prirobnica ima določen premer izbočenega dela na eni strani in drugačen premer izbočenega dela na drugi strani. Izberite ustrežno stran, na kateri se izbočeni del popolnoma prilaga v luknjo rezila. Namestite notranjo prirobnico na namestitveno vreteno, da je ustrežna stran izbočenega dela na notranji prirobnici obrnjena navzven, nato pa namestite rezilo in zunanjo prirobnico.

► **SI.23:** 1. Namestitveno vreteno 2. Notranja prirobnica 3. Rezilo krožne žage 4. Zunanja prirobnica 5. Šestrobi vijak

⚠ OPOZORILO: PREVERITE, ALI STE TRDNO ZATEGNILI ŠESTROBI VIJAK V SMERI URNEGA KAZALCA. Vijaka prav tako ne smete zategniti premočno. Če vam roka zdrsne z inbus ključa, se lahko poškodujete.

⚠ OPOZORILO: Prepričajte se, da se izbočeni del „a“ na notranji prirobnici, ki je nameščena zunaj, popolnoma prilaga luknji rezila „a“. Namestitev rezila na napačno stran lahko povzroči nevarne vibracije.

Za orodja z notranjo prirobnico za rezila, ki imajo luknje premera 15,88 mm (odvisno od države)

Namestite notranjo prirobnico z vgreznjeno stranjo obrneno navzven na namestitveno vreteno in nato namestite rezilo (s pritrjenim obročem, če je treba), zunanjo prirobnico in šestrobi vijak.

Za orodje brez obroča

► **SI.24:** 1. Namestitveno vreteno 2. Notranja prirobnica 3. Rezilo krožne žage 4. Zunanja prirobnica 5. Šestrobi vijak

Za orodje z obročem

► **SI.25:** 1. Namestitveno vreteno 2. Notranja prirobnica 3. Rezilo krožne žage 4. Zunanja prirobnica 5. Šestrobi vijak 6. Obroč

⚠ OPOZORILO: PREVERITE, ALI STE TRDNO ZATEGNILI ŠESTROBI VIJAK V SMERI URNEGA KAZALCA. Vijaka prav tako ne smete zategniti premočno. Če vam roka zdrsne z inbus ključa, se lahko poškodujete.

⚠ OPOZORILO: Če za namestitev rezila na vreteno potrebujete obroč, se vedno prepričajte, ali je med notranjo in zunanjo prirobnico nameščen pravi obroč za osno luknjo rezila, ki ga nameravate uporabiti. Uporaba nepravilnega obroča za osno luknjo lahko povzroči nepravilno namestitev rezila, zaradi česar se bo rezilo premikalo in močno vibriralo, posledica pa so lahko izguba nadzora med uporabo in hude telesne poškodbe.

Čiščenje ščitnika rezila

Kadar zamenjujete rezilo krožne žage, morate tudi iz ščitnikov zgornjega in spodnjega rezila očistiti nakopičeno žagovino, kot je omenjeno v razdelku Vzdrževanje. Še vedno pa je treba pred vsako uporabo preveriti delovanje spodnjega ščitnika.

Povezovanje sesalnika

Za čistejši potek rezanja lahko na orodje priključite sesalnik za prah Makita. Povežite cev sesalnika s sesalnim nastavkom, kot prikazuje slika.

► **SI.26:** 1. Sesalni nastavek 2. Vijak

► **SI.27:** 1. Cev 2. Sesalnik za prah

UPRAVLJANJE

To orodje je zasnovano za rezanje lesenih izdelkov. Z ustreznimi originalnimi rezili krožne žage Makita lahko žagate tudi te materiale:

- izdelke iz aluminija
- Za ustrezna rezila krožne žage, ki jih morate uporabiti za material, ki ga boste rezali, obiščite naše spletno mesto ali se obrnite na lokalnega prodajalca izdelkov Makita.

Preverjanje funkcije ščitnika rezila

Poševni kot nastavite na 0° ter nato ročno povlecite spodnji ščitnik do konca in ga spustite. Spodnji ščitnik deluje pravilno, če:

- je dvignjen nad osnovno ploščo in ga nič ne ovira;
- se samodejno vrne v položaj in se dotika omejevalnika.

► **SI.28:** 1. Zgornji ščitnik 2. Spodnji ščitnik 3. Osnovna plošča 4. Omejevalnik 5. Odpiranje 6. Zapiranje

Če spodnji ščitnik ne deluje pravilno, preverite, ali se je v zgornjem in spodnjem ščitniku nabrala žagovina. Če spodnji ščitnik ne deluje pravilno tudi po tem, ko odstranite prah, odnesite orodje v servisni center Makita.

Rezanje

⚠ POZOR: Med rezanjem nosite protiprašno masko.

⚠ POZOR: Stroj pomikajte vedno naprej, naravnost in z zmerno silo. Zvijanje in uporabljanje sile na orodju lahko povzroči pregrevanje motorja in nevarni povratni udarec, ki lahko povzroči resne telesne poškodbe.

OPOMBA: Kadar je temperatura akumulatorske baterije nizka, orodje mogoče ne bo delovalo s polno zmogljivostjo. V tem primeru nekaj časa uporabljajte orodje za manj obremenilna dela, dokler se akumulatorska baterija ne ogreje do sobne temperature. Nato lahko izkoristite polno zmogljivost orodja.

► **SI.29**

Trdno držite orodje. Orodje je opremljeno s sprednjim držalom in zadnjim ročajem. Za najboljši oprijem orodja uporabite oboje. Če obe roki držita žago, rezilo krožne žage ne more zarezati vanju. Postavite osnovno ploščo na obdelovanec tako, da se rezilo krožne žage ne dotika obdelovanca. Nato vklopite orodje in počakajte, da rezilo krožne žage doseže polno število vrtljajev. Zdad preprosto pomikajte orodje plosko in z zmernim pomikom naprej po površini obdelovanca, dokler žaganje ni končano. Za lepe reze morate paziti na ravno linijo rezanja in ohranjati enakomerno hitrost. Če pri rezanju zaidete iz predvidene linije reza, ne poskušajte obračati ali siliti orodja nazaj v linijo reza. S tem lahko zagostite rezilo krožne žage ter povzročite nevarni povratni udarec in morebitne hude telesne poškodbe. Spustite stikalo, počakajte, da se rezilo krožne žage ustavi, in nato izvlecite orodje. Ponovno poravnajte orodje v novo linijo reza in znova začnite z rezanjem. Izogibajte se položaju, kjer je upravljavec izpostavljen ostružkom in lesnemu prahu. Za preprečevanje poškodb uporabite zaščito za oči.

Vzporedni prislon (vodilno ravnilo)

⚠ POZOR: Pred uporabo se prepričajte, da je vzporedni prislon nameščen v pravičen položaj. Zaradi nepravilne pritrditve lahko pride do nevarnega povratnega udarca.

- **SI.30:** 1. Vzporedni prislon (vodilno ravnilo)
2. Vpenjalni vijak

Priročen vzporedni prislon omogoča izjemno natančne ravne reze. Vzporedni prislon namestite ob stran obdelovanca in ga pritrdite z vijakom na čelno stran osnovne plošče. Tako lahko izdelujete tudi serijske reze enake širine.

Vodilo

Dodatna oprema

Namestite orodje na zadnji konec vodila. Zavrtite dva prilagoditvena vijaka osnovne plošče orodja, tako da orodje gladko drsi brez ropotanja. Čvrsto držite sprednje držalo in zadnji ročaj orodja. Vključite orodje in režite vzdolž ščitnika za trske po celotni dolžini v enem hodu. Zdjaj rob ščitnika za trske ustreza robu reza.

- **SI.31:** 1. Prilagoditvena vijaka

Pri poševnem rezanju z vodilom uporabljajte drsno ročico, da preprečite prevrnitev orodja. Pomaknite drsno ročico na osnovni plošči orodja v smeri puščice, tako da se prilega v spodnji urezani utor v vodilu.

- **SI.32:** 1. Drsna ročica

Namestitev traku z vponko (pritrditveni trak)

⚠ Posebna varnostna opozorila za uporabo na višini

Preberite vsa varnostna opozorila in navodila. Neupoštevanje opozoril in navodil lahko privede do hudih telesnih poškodb.

1. Ko delate „na višini“, mora biti orodje vedno pritrjeno s trakom. Maksimalna dolžina traku z vponko je 2 m (6,5 čevlja). Največja dovoljena višina padca za trak z vponko (pritrditveni trak) ne sme presegati 2 m (6,5 čevlja).
2. Uporabljajte samo trakove z vponko, ustrezne za to vrsto orodja, z nosilnostjo vsaj 7,0 kg (15,4 funta).
3. Traku z vponko za orodje na noben način ne pripnite na kar koli na svojem telesu ali na premične predmete. Trak z vponko pripnite na trdno konstrukcijo, ki zdrži silo padca orodja.
4. Pred uporabo se prepričajte, da je trak z vponko ustrezno pritrjen na obeh straneh.
5. Pred vsako uporabo pregledjte orodje in trak z vponko zaradi morebitnih poškodb in preverite delovanje (vključno s tkanino in šivi). V primeru poškodb ali nepravilnega delovanja ju ne uporabljajte.
6. Traku z vponko ne ovijajte okoli ostrih ali grobih robov in poskrbite, da ne pride v stik z njimi.

7. Drugi konec traku z vponko pritrdite izven delovnega področja, da je padajoče orodje čvrsto pritrjeno.
 8. Trak z vponko pritrdite tako, da bo orodje v primeru padca zanihalo stran od upravljavca. Orodja, ki padejo, zanihajo na traku z vponko, kar lahko povzroči poškodbe ali izgubo ravnotežja.
 9. Orodja ne uporabljajte v bližini premičnih delov ali delujočih strojev. V nasprotnem primeru lahko pride do zmečkanin ali zapletanja v trak.
 10. Orodja ne prenašajte tako, da visi s priključka ali traku z vponko.
 11. Orodje vedno držite z rokami in poskrbite, da imate dobro ravnotežje.
 12. Traku z vponko ne pripnite tako, da ovira pravilno delovanje ščitnikov, sprožilcev ali ročic za zaklep.
 13. Pazite, da se ne zapletete v trak z vponko.
 14. Traku z vponko ne približujte območju rezanja.
 15. Uporabljajte večnamenske in navojne vponke. Ne uporabljajte samo enojnih vzmetnih vponk.
 16. Če vam orodje pade, ga morate označiti in prenehati uporabljati ter odnesti v pregled v tovarno Makita ali pooblaščenemu serviserju.
- **SI.33:** 1. Odprtina za trak z vponko (pritrditveni trak)

FUNKCIJA BREŽIČNE AKTIVACIJE

Kaj lahko storite s funkcijo brezžične aktivacije

Funkcija brezžične aktivacije omogoča nemoteno in udobno upravljanje. Če na orodje pritrdite podprt sesalnik za prah, lahko sesalnik za prah zaženete samodejno z upravljanjem stikala na orodju.

- **SI.34**

Za uporabo funkcije brezžične aktivacije pripravite naslednje stvari:

- brezžično enoto (izbirna dodatna oprema),
- sesalnik za prah, ki podpira funkcijo brezžične aktivacije.

Pregled nastavitve funkcije brezžične aktivacije je sledeč. Za podrobne postopke glejte posamezni razdelek.

1. Nameščanje brezžične enote
2. Registracija orodja za sesalnik za prah
3. Zagon funkcije brezžične aktivacije

Nameščanje brezžične enote

Dodatna oprema

⚠ POZOR: Pri nameščanju brezžične enote položite orodje na ravno in stabilno površino.

OBVESTILO: Z orodja očistite prah in umazano, preden namestite brezžično enoto. Prah in umazanija lahko povzročita okvaro, če prideta v režo brezžične enote.

OBVESTILO: Okvaro zaradi statike preprečite tako, da se dotaknete materiala za sprostitvev statičnega naboja, kot je kovinski del orodja, preden primete brezžično enoto.

OBVESTILO: Pri nameščanju brezžične enote se vedno prepričajte, da je brezžična enota vstavljena v pravi smeri in je pokrov popolnoma zaprt.

1. Odprite pokrov na orodju, kot je prikazano na sliki.
▶ **SI.35:** 1. Pokrov

2. Vstavite brezžično enoto v režo in zaprite pokrov.

Ko vstavljate brezžično enoto, poravnajte izbokline z vbočenimi deli v režo.

▶ **SI.36:** 1. Brezžična enota 2. Izboklina 3. Pokrov 4. Vbočen del

Ko odstranjujete brezžično enoto, počasi odprite pokrov. Kavljivi na zadnji strani pokrova bodo dvignili brezžično enoto, ko dvignete pokrov.

▶ **SI.37:** 1. Brezžična enota 2. Kavelj 3. Pokrov

Ko odstranite brezžično enoto, jo shranite v priloženi škatli ali brez statični posodi.

OBVESTILO: Pri odstranjevanju brezžične enote vedno uporabite kavljive na zadnji strani pokrova. Če se kavljivi ne zapnejo za brezžično enoto, popolnoma zaprite pokrov in ga znova počasi odprite.

Registracija orodja za sesalnik za prah

OPOMBA: Za registracijo orodja je potreben sesalnik za prah Makita, ki podpira funkcijo brezžične aktivacije.

OPOMBA: Pred registracijo orodja najprej namestite brezžično enoto v orodje.

OPOMBA: Med registracijo orodja ne pritisčajte sprožilca ali stikala za vklop/izklop na sesalniku za prah.

OPOMBA: Preberite navodila za uporabo sesalnika za prah.

Če želite aktivirati sesalnik za prah z upravljanjem stikala na orodju, pred tem zaključite registracijo orodja.

1. Namestite baterije v sesalnik za prah in orodje.

2. Stikalo za stanje pripravljenosti na sesalniku za prah nastavite na položaj „AUTO“.

▶ **SI.38:** 1. Stikalo za stanje pripravljenosti

3. Držite gumb za brezžično aktivacijo na sesalniku za prah 3 sekunde, dokler lučka brezžične aktivacije ne utripa zeleno. Nato enako storite z gumbom za brezžično aktivacijo na orodju.

▶ **SI.39:** 1. Gumb za brezžično aktivacijo 2. Lučka brezžične aktivacije

Če se sesalnik za prah in orodje uspešno povežeta, lučki brezžične aktivacije za 2 sekundi zasvetita zeleno in začneta utripati modro.

OPOMBA: Lučki brezžične aktivacije nehata utripati zeleno po 20 sekundah. Pritisnite gumb za brezžično aktivacijo na orodju, medtem ko lučka brezžične aktivacije na čistilniku utripa. Če lučka brezžične aktivacije ne utripa zeleno, za kratek čas znova pridržite gumb za brezžično aktivacijo.

OPOMBA: Če izvajate več kot dve registraciji orodja za sesalnik za prah, končajte registracijo orodja eno za drugo.

Zagon funkcije brezžične aktivacije

OPOMBA: Dokončajte registracijo orodja za sesalnik za prah pred brezžično aktivacijo.

OPOMBA: Preberite navodila za uporabo sesalnika za prah.

Ko registrirate orodje s sesalnikom za prah, sesalnik za prah samodejno deluje z upravljanjem stikala na orodju.

1. Namestite brezžično enoto v orodje.

2. Cev sesalnika za prah priključite na orodje.

▶ **SI.40**

3. Stikalo za stanje pripravljenosti na sesalniku za prah nastavite na položaj „AUTO“.

▶ **SI.41:** 1. Stikalo za stanje pripravljenosti

4. Na kratko pritisnite gumb za brezžično aktivacijo na orodju. Lučka brezžične aktivacije utripa modro.

▶ **SI.42:** 1. Gumb za brezžično aktivacijo 2. Lučka brezžične aktivacije

5. Povlecite sprožilec orodja. Preverite, ali sesalnik za prah deluje, ko povlečete sprožilec.

Če želite zaustaviti brezžično aktivacijo sesalnika za prah, pritisnite gumb za brezžično aktivacijo na orodju.

OPOMBA: Lučka brezžične aktivacije na orodju bo nehala utripati modro, ko orodje ne deluje 2 uri. V tem primeru nastavite stikalo za stanje pripravljenosti na sesalniku za prah na položaj „AUTO“ in znova pritisnite gumb za brezžično aktivacijo na orodju.

OPOMBA: Sesalnik za prah se zažene/zaustavi z zamikom. Sesalnik za prah zazna upravljanje stikala na orodju s časovnim zamikom.










OPOMBA: Domet brezžične enote se lahko razlikuje glede na pogoje lokacije in okolice.

OPOMBA: Kadar sta z enim sesalnikom za prah registrirana več kot dva orodja, se lahko sesalnik za prah zažene tudi, če ne povlečete sprožilca, ker funkcijo brezžične aktivacije uporablja drug uporabnik.

Opis stanja lučke brezžične aktivacije

► SI.43: 1. Lučka brezžične aktivacije

Lučka brezžične aktivacije prikazuje stanje funkcije brezžične aktivacije. Glejte spodnjo tabelo glede pomena stanja lučke.

Stanje	Lučka brezžične aktivacije				Opis
	Barva	 Sveti	 Utripa	Trajanje	
Pripravljenost	Modra			2 uri	Brezžična aktivacija sesalnika za prah je na voljo. Lučka se samodejno ugasne, ko orodje ne deluje 2 uri.
				Ko orodje deluje.	Brezžična aktivacija sesalnika za prah je na voljo in orodje deluje.
Registracija orodja	Zelena			20 sekund	Pripravljeno na registracijo orodja. Čakanje na registracijo sesalnika za prah.
				2 sekundi	Registracija orodja je končana. Lučka brezžične aktivacije začne utripati modro.
Preklic registracije orodja	Rdeča			20 sekund	Pripravljeno na preklic registracije orodja. Čakanje na preklic pri sesalniku za prah.
				2 sekundi	Preklic registracije orodja je končan. Lučka brezžične aktivacije začne utripati modro.
Drugo	Rdeča			3 sekunde	Brezžična enota je priključena in funkcija brezžične aktivacije se zaganja.
	Ne sveti	-		-	Brezžična aktivacija sesalnika za prah je zaustavljena.

Preklic registracije orodja za sesalnik za prah

Za preklic registracije orodja za sesalnik za prah izvedite naslednji postopek.

1. Namestite baterije v sesalnik za prah in orodje.
 2. Stikalo za stanje pripravljenosti na sesalniku za prah nastavite na položaj „AUTO“.
- SI.44: 1. Stikalo za stanje pripravljenosti
3. Držite gumb za brezžično aktivacijo na sesalniku za prah 6 sekund. Lučka brezžične aktivacije utripa zeleno in zasveti rdeče. Nato storite enako z gumbom za brezžično aktivacijo na orodju.
- SI.45: 1. Gumb za brezžično aktivacijo 2. Lučka brezžične aktivacije

Če je preklic uspešen, lučki brezžične aktivacije za 2 sekundi zasvetita rdeče in začneta utripati modro.

OPOMBA: Lučki brezžične aktivacije nehata utripati rdeče po 20 sekundah. Pritisnite gumb za brezžično aktivacijo na orodju, medtem ko lučka brezžične aktivacije na čistilniku utripa. Če lučka brezžične aktivacije ne utripa rdeče, za kratek čas znova pridržite gumb za brezžično aktivacijo.

Odpravljanje težav s funkcijo brezžične aktivacije

Preden zahtevate popravilo, izvedite lasten pregled. Če naletite na težavo, ki ni pojasnjena v navodilih, ne poskušajte razstavljati orodja. Namesto tega se obrnite na pooblaščen servis Makita. Pri popravljenih vedno uporabljajte nadomestne dele Makita.

Neobičajno stanje	Možni vzroki (okvare)	Ukrep
Lučka brezžične aktivacije ne sveti/utripa.	Brezžična enota ni nameščena v orodju. Brezžična enota ni pravilno nameščena v orodju.	Brezžično enoto namestite pravilno.
	Priključek brezžične enote in/ali reža sta umazana.	Nežno obrišite prah in umazanijo s priključka brezžične enote in očistite režo.
	Niste pritisnili gumba za brezžično aktivacijo na orodju.	Na kratko pritisnite gumb za brezžično aktivacijo na orodju.
	Stikalo za stanje pripravljenosti na sesalniku za prah ni nastavljeno na položaj „AUTO“.	Stikalo za stanje pripravljenosti na sesalniku za prah nastavite na položaj „AUTO“.
	Ni napajanja	Orodje in sesalnik za prah priklopite na napajanje.
Registracije orodja/preklica registracije orodja ni mogoče končati uspešno.	Brezžična enota ni nameščena v orodju. Brezžična enota ni pravilno nameščena v orodju.	Brezžično enoto namestite pravilno.
	Priključek brezžične enote in/ali reža sta umazana.	Nežno obrišite prah in umazanijo s priključka brezžične enote in očistite režo.
	Stikalo za stanje pripravljenosti na sesalniku za prah ni nastavljeno na položaj „AUTO“.	Stikalo za stanje pripravljenosti na sesalniku za prah nastavite na položaj „AUTO“.
	Ni napajanja	Orodje in sesalnik za prah priklopite na napajanje.
	Nepravilno delovanje	Na kratko pritisnite gumb za brezžično aktivacijo in znova izvedite registracijo/preklik registracije orodja.
	Orodje in sesalnik za prah sta oddaljena drug od drugega (izven dometa).	Približajte orodje in sesalnik za prah. Največji domet je približno 10 m, vendar se lahko razlikuje glede na pogoje.
	Pred dokončanjem registracije/preklica registracije orodja: – povlekli ste sprožilec na orodju ali; – vklopili ste gumb za vklop/izklop sesalnika za prah.	Na kratko pritisnite gumb za brezžično aktivacijo in znova izvedite registracijo/preklik registracije orodja.
	Postopek registracije orodja za orodje ali sesalnik za prah se ni dokončal.	Registracijo orodja izvedite istočasno za orodje in sesalnik za prah.
Sesalnik za prah ne deluje z upravljanjem stikala na orodju.	Brezžična enota ni nameščena v orodju. Brezžična enota ni pravilno nameščena v orodju.	Brezžično enoto namestite pravilno.
	Priključek brezžične enote in/ali reža sta umazana.	Nežno obrišite prah in umazanijo s priključka brezžične enote in očistite režo.
	Niste pritisnili gumba za brezžično aktivacijo na orodju.	Na kratko pritisnite gumb za brezžično aktivacijo in se prepričajte, da lučka brezžične aktivacije utripa modro.
	Stikalo za stanje pripravljenosti na sesalniku za prah ni nastavljeno na položaj „AUTO“.	Stikalo za stanje pripravljenosti na sesalniku za prah nastavite na položaj „AUTO“.
	S sesalnikom za prah je registriranih več kot 10 orodij.	Znova izvedite registracijo orodja. Če je s sesalnikom za prah registriranih več kot 10 orodij, se prvo registrirano orodje samodejno prekliče.
	Sesalnik za prah je izbrisal vse registracije orodja.	Znova izvedite registracijo orodja.
	Ni napajanja	Orodje in sesalnik za prah priklopite na napajanje.
	Orodje in sesalnik za prah sta oddaljena drug od drugega (izven dometa).	Približajte orodje in sesalnik za prah. Največji domet je približno 10 m, vendar se lahko razlikuje glede na pogoje.
	Radijske motnje drugih naprav, ki proizvajajo zelo intenzivne radijske valove.	Orodje in sesalnik za prah hranite stran od naprav, kot so naprave Wi-Fi in mikrovalovne pečice.
	Sesalnik za prah deluje, ko niste povlekli sprožilca orodja.	Brezžično aktivacijo sesalnika za prah uporabljajo drugi uporabniki s svojimi orodji.

VZDRŽEVANJE

⚠️ POZOR: Preden se lotite pregledovanja ali vzdrževanja orodja, se vedno prepričajte, da je orodje izklopljeno in akumulatorska baterija odstranjena.

⚠️ POZOR: Iz zgornjih in spodnjih ščitnikov odstranite nabrano žagovino, saj lahko drugače ovira delovanje spodnjega varovalnega sistema. Umazan varovalni sistem lahko ovira pravilno delovanje, kar lahko privede do resne telesne poškodbe. Najučinkovitejši način čiščenja je čiščenje s stisnjenim zrakom. **Pri odstranjevanju prahu iz ščitnikov uporabljajte ustrezno zaščito za oči in dihala.**

⚠️ POZOR: Po vsaki uporabi obrišite žagovino z orodja. Drobní lesni prah lahko prodre v orodje in povzroči okvaro ali požar.

OBVESTILO: Nikoli ne uporabljajte bencina, razredčila, alkohola ali podobnega sredstva. V tem primeru se lahko orodje razbarva ali deformira oziroma lahko nastanejo razpoke.

VARNO in ZANESLJIVO delovanje tega izdelka bo zagotovljeno le, če boste popravila, vzdrževanje in nastavitve prepustili pooblaščenemu servisu za orodja Makita ali tovarniškemu osebju, ki vgrajuje izključno originalne nadomestne dele.

Prilaganje natančnosti reza pri 0° ali 45°

Ta nastavev je bila izvedena v tovarni. Če pa ta ni poravnana, jo lahko nastavite po naslednjem postopku.

1. Zrahljajte vpenjalna vijaka na sprednji in zadnji strani orodja, da boste lahko spremenili poševni kot. Če boste prilagodili natančnost reza pod kotom 45°, omejevalnik nastavite na položaj poševnega kota 0° – 45°.

► **Sl.46:** 1. Vpenjalni vijak 2. Omejevalnik

2. Podstavek naj bo pravokoten ali pod kotom 45° glede na rezilo krožne žage. Pomagajte si s trikotnim ravnilom tako, da obrnete nastavitveni vijak z imbus ključem. Za prilaganje kota 0° lahko uporabite tudi kvadratno ravnilo.

► **Sl.47:** 1. Trikotno merilo

► **Sl.48:** 1. Nastavitveni vijak za kot 0° 2. Nastavitveni vijak za kot 45°

3. Zategnite vpenjalna vijaka ter izvedite preskusni rez, da preverite, ali je želeni kot nastavljen.

Nastavev vzporednosti

⚠️ POZOR: Vzporednost mora biti točna. Sicer lahko rezilo krožne žage »ugrizne« v vodilo, poškodovano vodilo pa lahko povzroči telesne poškodbe.

Ta nastavev je bila izvedena v tovarni. Če pa ta ni poravnana, jo lahko nastavite po naslednjem postopku.

1. Orodje nastavite na največjo globino reza.

2. Preverite, ali so vse ročice in vijaki zategnjeni.

3. Odvijte vijake, kot je prikazano na sliki.

4. Med odpiranjem spodnjega ščitnika premaknite zadnji del osnovne plošče, tako da bo razdalja med A in B enaka.

► **Sl.49:** 1. Vijak 2. Osnovna plošča

5. Zategnite vijake in izvedite preskusni rez, da preverite nastavev vzporednosti.

DODATNA OPREMA

⚠️ POZOR: Ta dodatni pribor ali pripomočki so predvideni za uporabo z orodjem Makita, ki je opisano v teh navodilih za uporabo. Pri uporabi drugega pribora ali pripomočkov obstaja nevarnost telesnih poškodb. Dodatni pribor ali pripomočke uporabljajte samo za navedeni namen.

Za več informacij o dodatni opremi se obrnite na najbližji pooblaščen servis za orodja Makita.

- Rezilo krožne žage
- Vzporedni prislon (vodilno ravnilo)
- Kavelj
- Vodilo
- Poševno vodilo
- Sponka
- Ploščica
- Gumijasta ploščica
- Položajna ploščica
- Sesalna šoba
- Inbus ključ
- Brezžična enota
- Originalna akumulator in polnilnik Makita

OPOMBA: Nekateri predmeti na seznamu so lahko priloženi orodju kot standardna dodatna oprema. Lahko se razlikujejo od države do države.

SPECIFIKIMET

Modeli:		HS004G
Diametri i fletës		185 mm - 190 mm
Thellësia maksimale e prerjes	në 0°	60,0 mm - 62,5 mm
	me kënd 45°	43,0 mm - 44,5 mm
	me kënd 48°	41,0 mm - 42,0 mm
Shpejtësia pa ngarkesë		6 000 min ⁻¹
Tensioni nominal		D.C. 36 V - 40 V maks.
Gjatësia totale	me BL4025	322 mm
	me BL4040	337 mm
Pesha neto		4,4 - 4,7 kg

- Për shkak të programit tonë të vazhdueshëm të kërkim-zhvillimit, specifikimet që jepen këtu mund të ndryshojnë pa dhënë njoftim.
- Specifikimet dhe kutia e baterisë mund të ndryshojnë sipas shtetit.
- Pesha mund të ndryshojë në varësi të aksesorit (ëve), përfshirë kutinë e baterisë. Kombinimi më i lehtë dhe më i rëndë, sipas Procedurës EPTA 01/2014, tregohet në tabelë.

Kutia e aplikueshme e baterisë dhe karikuesi

Kutia e baterisë	BL4025 / BL4040
Karikuesi	DC40RA

- Disa prej kutive të baterive dhe karikuesve të renditura më lart mund të mos jenë të disponueshme në varësi të zonës ku ju banoni.

⚠ PARALAJMËRIM: Përdorni vetëm kutitë e baterisë dhe karikuesit e listuar më lart. Përdorimi i karikuesve dhe kutive të tjera të baterisë mund të shkaktojë lëndim dhe/ose zjarr.

Përdorimi i synuar

Pajisja është synuar për kryerjen e prerjeve të drejta për së gjati dhe tërthorazi dhe prerjeve me kënd në dru, ndërkohë që është në kontakt të qëndrueshëm me materialin e punës. Me fletët e përshtatshme të sharrave origjinale Makita mund të sharohen edhe materiale të tjera.

Zhurma

Niveli tipik i zhurmës A, i matur sipas EN62841-2-5:
Niveli i presionit të zhurmës (L_{pA}): 93 dB (A)
Niveli i fuqisë së zhurmës (L_{WA}): 104 dB (A)
Pasiguria (K): 3 dB (A)

SHËNIM: Vlerat e deklaruar totale të emetimeve të zhurmës janë matur sipas një metode standarde testimi dhe mund të përdoren për të krahasuar një vegël me një tjetër.

SHËNIM: Vlerat e deklaruar të emetimeve të zhurmës mund të përdoren për një vlerësim paraprak të ekspozimit.

⚠ PARALAJMËRIM: Mbani mbrojtëse për veshët.

⚠ PARALAJMËRIM: Emetimet e zhurmës gjatë përdorimit aktual të veglës elektrike mund të ndryshojnë nga vlerat e deklaruar në varësi të mënyrave sesi përdoret vegla, veçanërisht nga lloji i materialit të punës që përdoret.

⚠ PARALAJMËRIM: Vërtetoni që masat e sigurisë për mbrojtjen e përdoruesit bazohen në vlerësimin e ekspozimit ndaj kushteve aktuale të përdorimit (duke marrë parasysh të gjitha pjesët e ciklit të funksionimit si ato kur pajisja është e fikur dhe punon pa prerë ashtu edhe kohën e përdorimit).

Dridhja

Vlera totale e dridhjeve (shuma e vektorit me tre akse) përcaktohet sipas EN62841-2-5:
Regjimi i punës: prerja e drurit
Emetimi i dridhjeve ($a_{h,W}$): 2,5 m/s² ose më pak
Pasiguria (K): 1,5 m/s²
Regjimi i punës: prerja e metalit
Emetimi i dridhjeve ($a_{h,M}$): 2,5 m/s² ose më pak
Pasiguria (K): 1,5 m/s²

SHËNIM: Vlerat e deklaruara totale të dridhjeve janë matur sipas një metode standarde testimi dhe mund të përdoren për të krahasuar një vegël me një tjetër.

SHËNIM: Vlerat e deklaruara totale të dridhjeve mund të përdoren për një vlerësim paraprak të ekspozimit.

▲ PARALAJMËRIM: Emetimet e dridhjeve gjatë përdorimit aktual të veglës elektrike mund të ndryshojnë nga vlerat e deklaruara në varësi të mënyrave sesi përdoret vegla, veçanërisht nga lloji i materialit të punës që përdoret.

▲ PARALAJMËRIM: Vërtetoni që masat e sigurisë për mbrojtjen e përdoruesit bazohen në vlerësimin e ekspozimit ndaj kushteve aktuale të përdorimit (duke marrë parasysh të gjitha pjesët e ciklit të funksionimit si ato kur pajisja është e fikur dhe punon pa prerë ashtu edhe kohën e përdorimit).

Deklarata e konformitetit me KE-në

Vetëm për shtetet evropiane

Deklarata e konformitetit me KE-në përfshihet si Shtojca A në këtë manual përdorimi.

PARALAJMËRIME SIGURIE

Paralajmërimet e përgjithshme për sigurinë e veglës

▲ PARALAJMËRIM: Lexoni të gjitha paralajmërimet për sigurinë, udhëzimet, ilustrimet dhe specifikimet e dhëna me këtë vegël elektrike. Mosndjekja e të gjitha udhëzimeve të renditura më poshtë mund të shkaktojë goditje elektrike, zjarr dhe/ose lëndim të rëndë.

Ruajini të gjitha paralajmërimet dhe udhëzimet për të ardhmen.

Termi "vegël elektrike" në paralajmërimet e referohet veglës elektrike që përdoret e lidhur në prizë (me kordon) ose veglës së përdorur me bateri (pa kordon).

Paralajmërimet e sigurisë për sharrën e rumbullakët me bateri

Procedurat e prerjes

- ▲ ARREZIK:** Mbajni duart larg zonës së prerjes dhe fletës. Mbajeni dorën tjetër në dorezën ndihmëse ose në kasën e motorit. Nëse të dyja duart janë duke mbajtur sharrën, atëherë nuk mund të priten nga fleta.
- Mos prekni pjesën e poshtme të materialit të punës.** Mbrojtësja nuk mund t'ju mbrojtë nga fleta poshtë materialit të punës.

- Rregulloni thellësinë e prerjes me thellësinë e materialit të punës.** Në pjesën e poshtme të materialit të punës duhet të duket më pak se një dhëmb i fletës së sharrës.
- Asnjëherë gjatë prerjes mos e mbani në duar ose nëpërmes këmbëve materialin e punës. Sigurojeni materialin e punës në një platformë të qëndrueshme.** Është e rëndësishme që ta mbështetni materialin e punës siç duhet për të minimizuar ekspozimin e trupit, përthyerjen e fletës ose humbjen e kontrollit.
- Mbjajni veglën elektrike të sipërfaqet kapëse të izoluar kur të jeni duke kryer një veprim në të cilin vegla prerëse mund të prekë tela të fshehur.** Prekja e një teli me rrymë do ta përçojë rrymën edhe të pjesët e ekspozuara metalike të veglës elektrike dhe mund të shkaktojë goditje elektrike të përdoruesit.
- Gjithmonë përdorni një rigë drejtuese ose një udhëzues për anët e drejta.** Kjo përmirëson saktësinë e prerjes dhe pakëson mundësinë e ngecjes së fletës.
- Gjithmonë përdorni fletë me madhësinë dhe formën e duhur (ato të diamantit përkundrejt atyre rumbullake) të vrivave të boshtit.** Fletët që nuk përputhen me pjesën tjetër të sharrës do të rrotullohen jashtë qendrës duke shkakuar humbje të kontrollit.
- Asnjëherë mos përdorni rondele apo bulona të dëmtuara ose jo të duhura të fletave.** Rondelet e fletëve janë projektuar veçanërisht për sharrën tuaj, për performancë optimale dhe siguri të funksionimit.

Shkaqet e zbrapsjeve dhe paralajmërimet në lidhje me to

- Zbrapsja është një reagim i papritur ndaj një flete sharre të ngecur, të bllokuar ose të zhvendosur, e cila bën që sharra e pakontrolluar të ngrihet dhe të dalë nga materiali i punës drejt punëtorit;
- Kur fleta ngec ose bllokohet fort nga mbyllja e kanalit të sharrës, ajo e humbet shpejtësinë dhe reagimi i motorit e kthen pas pajisjes me shpejtësi drejt punëtorit;
- Nëse fleta përthyeret ose zhvendoset gjatë prerjes, dhëmbët në pjesën e pasme të fletës mund të ngecin në sipërfaqen e drurit, duke bërë që fleta të dalë nga kanali i sharrës dhe të kërcejë mbrapsht drejt punëtorit.

Zbrapsja është rezultat i keqpërdorimit dhe/ose procedurave ose kushteve të pasakta të përdorimit dhe mund të shmanget duke marrë masat e mëposhtme parandaluese.

- Mbjajni fort sharrën me të dyja duart dhe vendosini krahet në atë mënyrë që t'i rezistoni forcave zbrapsëse. Pozicioni i trupit në cilëndo anë të fletës, por jo në drejtim me fletën.** Zbrapsja mund të bëjë që sharra të kërcejë mbrapsht, por nëse merren masat e duhura parandaluese, forcat e zbrapsjes mund të kontrollohen nga punëtori.

2. Kur fleta ka ngecur ose kur e ndërprisni prerjen për çfarëdo lloj arsyeje, lëshojeni këmbëzën dhe mbajeni sharrën të palëvizur në materialin deri sa fleta të ndalojë plotësisht. Asnjëherë mos u përpiqni ta hiqni sharrën nga materiali ose ta tërhiqni sharrën pas ndërkohë që fleta është në lëvizje, përndryshe mund të ndodhë zbrapsje. Kontrolloni dhe ndërmerrni veprime korrigjuese për të eliminuar shkakun e ngecjes së fletës.
3. Kur të rifilloni sharrimin në materialin e punës, vendoseni fletën e sharrës në mes të kanalit në mënyrë që dhëmbët e sharrës të mos ngecin në material. Nëse fleta e sharrës ngec, ajo mund të dalë ose zbrapset nga materiali ndërkohë që rifillohet sharrimi.
4. Mbështetni panelet e mëdhenj për të minimizuar rrezikun e bllokimit dhe të zbrapsjes së fletës. Panelet e mëdhenj kanë tendencë të përkulen nga pesha e tyre. Mbështetëset duhet të vendosen poshtë panelit në të dyja anët, pranë vijës së prerjes dhe pranë buzës së panelit.

► Fig.2

► Fig.3

5. Mos përdorni fletë të pamprehura ose të dëmtuara. Fletët e pamprehura ose të vendosura në mënyrë të gabuar bëjnë prerje të ngushtë, duke shkaktuar fërkim të tepërt, ngecje të fletës dhe zbrapsje.
6. Thellësia e fletës dhe levat bllokuese të rregullimit të buzëve duhet të shtrëngohen dhe sigurohen përpara se të kryhet prerja. Nëse rregullimi i fletës ndryshon gjatë prerjes, ajo mund të shkaktojë ngecje dhe zbrapsje.
7. Bëni kujdes të veçantë kur sharroni në mure ekzistues ose në breza të tjerë të shtruar. Fleta e dalë mund të presë objekte që mund të shkaktojnë kundërveprim.
8. GJITHMONË mbajeni veglën fort me të dyja duart. KURRË mos e vendosni dorën, këmbën ose ndonjë pjesë të trupit nën bazën e veglës ose pas sharrës, sidomos kur kryeni prerje tërthore. Nëse ka zbrapsje, sharra mund të kërcejë mbrapa me lehtësi mbi dorën tuaj, duke çuar në lëndime të rënda personale.

► Fig.4

9. Asnjëherë mos ushtroni forcë mbi sharrën. Shtyjeni sharrën përpara me një shpejtësi të tillë që fleta të presë pa u ngadalësuar. Ushtrimi i forcës mbi sharrën mund të shkaktojë prerje jo të njëtrajtshme, humbje të saktësisë dhe zbrapsje të mundshme.

Funksioni i mbrojtëses

1. Kontrolloni mbrojtësen e poshtme për mbyllje të saktë përpara çdo përdorimi. Mos e përdorni sharrën nëse mbrojtësja e poshtme nuk lëviz lirshëm dhe nuk mbyllet menjëherë. Asnjëherë mos e fiksoni ose lidhni mbrojtësen e poshtme në pozicion të hapur. Nëse sharra rrezohet aksidentalisht, mbrojtësja e poshtme mund të përthyhet. Ngrini mbrojtësen e poshtme me dorezën tërheqëse dhe sigurohuni që ajo të lëvizë lirshëm dhe të mos e prekë fletën apo ndonjë pjesë tjetër në të gjithë këndet dhe thellësitë e prerjes.

2. Kontrolloni funksionimin e sustës së mbrojtëses së poshtme. Nëse mbrojtësja dhe susta nuk funksionojnë siç duhet, ato duhet të rregullohen përpara përdorimit. Mbrojtësja e poshtme mund të funksionojë ngadalë për shkak të pjesëve të dëmtuara, depozitimeve ngjitëse ose mbeturinave të grumbulluara.
3. Mbrojtësja e poshtme mund të tërhiqet manualisht vetëm për prerje të veçanta, siç janë “prerjet e pjerrëta” dhe “prerjet e përbëra”. Ngrini mbrojtësen e poshtme duke tërhequr dorezën dhe duhet ta lëshoni mbrojtësen e poshtme sapo fleta të hyjë në material. Për të gjitha prerjet e tjera, mbrojtësja e poshtme duhet të funksionojë automatikisht.
4. Gjithmonë kontrolloni që mbrojtësja e poshtme të ketë mbuluar fletën përpara se ta vendosni sharrën në karrige apo dyshme. Fleta e pambytur dhe në lëvizje të lirë shkakton lëvizjen prapa të sharrës, e cila do të presë çfarëdo që gjendet përpara saj. Logarismi kohën që i duhet fletës për të ndaluar pasi lëshohet çelësi.
5. Për të kontrolluar mbrojtësen e poshtme, hapeni mbrojtësen me dorë, pastaj lëshojeni dhe shikoni mbylljen e saj. Kontrolloni që doreza tërheqëse të mos prekë trupin e pajisjes. Është SHUMË E RREZIKSHME lënia pa mbrojtje e fletës dhe ajo mund të shkaktojë dëmtim të rëndë personal.

Paralajmërimet shtesë mbi sigurinë

1. Bëni shumë kujdes kur jeni duke prerë dru të lagësht, lëndë të ngjeshura druri ose dru që përmban nyja. Lëvizeni shtruar pajisjen përpara pa e ulur shpejtësinë e fletës në mënyrë që të shmangni mbinxehjen e dhëmbëve të fletës.
2. Mos provoni të hiqni materialin e prerë ndërkohë që fleta është në lëvizje. Prisi derisa fleta të ndalojë përpara se të merrni materialin e prerë. Fletët lëvizin pas fikjes.
3. Shmangni prerjen e gozhdëve. Kontrolloni për gozhdë dhe hiqini të gjitha nga materiali prej druri përpara se të filloni prerjen.
4. Vendoseni pjesën më të gjerë të bazës së sharrës në atë pjesë të materialit të punës që mbështetet fort, jo në pjesën që do të rrezohet kur të bëhet prerja. Nëse materiali i punës është i shkurtër ose i vogël, fiksojeni poshtë atë. MOS PROVONI T'I MBANI COPAT E SHKURTRA ME DORË!

► Fig.5

5. Përpara se ta vendosni poshtë pajisjen pasi keni kryer prerjen, sigurohuni që mbrojtësja të jetë mbyllur dhe fleta të ketë ndaluar plotësisht.
6. Asnjëherë mos provoni të sharroni duke e mbajtur sharrën e rrumbullakët të mbajtur përmbys në një mandrino shtrënguese. Kjo është shumë e rrezikshme dhe mund të shkaktojë aksidente të rënda.

► Fig.6

7. Disa materiale përmbajnë kimikate që mund të jenë toksike. Kini kujdes që të parandaloni thithjen e pluhurave dhe kontaktin me lëkurën. Ndiqni të dhënat e sigurisë nga furnizuesi i materialit.

8. **Mos i ndaloni fletët e sharrës duke ushtruar forcë anësore mbi to.**
 9. **Mos përdorni disqe abrazive.**
 10. **Përdorni vetëm fletë sharre me diametrin që shënohet në vegël ose që specifikohet në manual.** Përdorimi i një flete me madhësi jo të duhur mund të ndikojë në mbrojtjen e përshtatshme të fletës ose në funksionimin e mbrojtëses, gjë e cila mund të shkaktojë lëndim të rëndë personal.
 11. **Mbajini fletët të mprehta dhe të pastra.** Pluhuri i shpimit dhe palca e drurit të forcuara në fleta ngadalësojnë sharrën dhe rrisin mundësinë e zbrapsjes. Mbani fletën të pastër, fillimisht duke e hequr atë nga pajisja dhe pastaj duke e pastruar me pastrues pluhurash dhe palce druri, ujë ose vajgur. Asnjëherë mos përdorni benzinë.
 12. **Mbani maskë kundër pluhurit dhe mbrojtëse për dëgjimin gjatë përdorimit të pajisjes.**
 13. **Gjithmonë përdorni fletën e sharrës të prodhuar për prerjen e materialit që do të prisni.**
 14. **Përdorni vetëm fletë sharre që kanë të shënuar një shpejtësi të barasvlershme ose më të madhe sesa shpejtësia e shënuar mbi vegël.**
 15. **(Vetëm për vendet evropiane)** Gjithmonë përdorni fletën që është konform me EN847-1.
 16. **Vendoseni veglën dhe pjesët në një sipërfaqe të sheshtë dhe të qëndrueshme.** Përndryshe vegla ose pjesët mund të bien dhe të shkaktojnë lëndim.
5. **Mos bëni lidhje të shkurtër me kutinë e baterisë:**
 - (1) **Mos i prekni terminalet me materiale përcjellëse.**
 - (2) **Shmangni ruajtjen e kutisë së baterisë në një kuti me objekte të tjera metalike, si gozhdë, monedha etj.**
 - (3) **Mos e ekspozoni kutinë e baterisë në ujë ose shi.**

Qarku i shkurtër i baterisë mund të shkaktojë qarkullim të madh të rrymës elektrike, mbinxehje, djegie të mundshme dhe madje prishje.
 6. **Mos e ruani pajisjen dhe kutinë e baterisë në vende ku temperatura mund të arrijë ose tejkalojë 50 °C.**
 7. **Mos e digjni kutinë e baterisë, edhe nëse është shumë e dëmtuar ose është konsumuar plotësisht.** Kutia e baterisë mund të shpërthejë në zjarr.
 8. **Mos e shponi, pritni, shtypni, hidhni apo rrezoni kutinë e baterisë apo ta goditni kutinë e baterisë me një objekt të fortë.** Një sjellje e tillë mund të shkaktojë zjarr, nxehtësi të lartë ose shpërthim.
 9. **Mos përdorni bateri të dëmtuar.**
 10. **Bateritë e përfshira të litiumit, u nënshtrohen kërkesave të legjislacionit për mallrat e rrezikshme.**

Për transport tregtar p.sh. nga palë të treta, agjentët të ndërmjetëm, duhet të ndiqen kërkesa specifike mbi paketimin dhe etiketimin. Për përgatitjen e artikullit për transport, është i nevojshëm konsultimi i një eksperti për materiale të rrezikshme. Ju lutemi, ndiqni gjithashtu rregulloret me gjasë më të detajuara vendore. Mbuloni me ngjitëse ose maskoni kontaktet e zhveshura dhe paketojeni baterinë në mënyrë të tillë që të mos lëvizë në paketim.
 11. **Kur hidhni kutinë e baterisë, hiqeni nga vegla dhe hidhni në një vend të sigurt.** Zbatoni rregulloret lokale rreth hedhjes së baterisë.
 12. **Përdorini bateritë vetëm me produktet e specifikuar nga Makita.** Instalimi i baterive në produkte të papajtueshme mund të rezultojë në zjarr, nxehtësi të lartë, shpërthim ose rrjedhje të elektroliteve.
 13. **Nëse vegla nuk përdoret për një periudhë të gjatë kohe, bateria duhet të hiqet nga vegla.**
 14. **Gjatë dhe pas përdorimit, kutia e baterisë mund të nxehet, gjë që mund të shkaktojë djegie ose djegie në temperaturë të ulët.** Tregoni kujdes gjatë manovrimit të kutive të nxehta të baterive.
 15. **Mos prekni terminalin e veglës menjëherë pas përdorimit pasi mund të nxehet aq shumë sa të shkaktojë djegie.**
 16. **Mos lejoni që grumbullimin e ashklave, pluhurave ose papastërtive në terminalet, vrimat ose kanalet e kutisë së baterisë.** Kjo mund të shkaktojë rëndim të ulët ose dëmtim të veglës ose të kutisë së baterisë.

RUAJINI KËTO UDHËZIME.

▲ PARALAJMËRIM: MOS lejoni që njohja ose familjarizimi me produktin (të fituara nga përdorimi i shpeshtë) të zëvendësojnë zbatimin me përpikëri të rregullave të sigurisë për produktin në fjalë. KEQPËRDORIMI ose mosndjekja e rregullave të sigurisë të dhëna në këtë manual përdorimi mund të shkaktojë dëmtime të rënda personale.

Udhëzime të rëndësishme rreth sigurisë për kutinë e baterisë

1. **Përpara se ta përdorni kutinë e baterisë, lexoni të gjitha udhëzimet dhe shënimet e masave parandaluese të (1) ngarkuesi i baterisë, (2) bateria dhe (3) produkti që përdor baterinë.**
2. **Mos e çmontoni ose dëmtoni kutinë e baterisë.** Kjo mund të shkaktojë zjarr, nxehtësi të lartë ose shpërthim.
3. **Nëse koha e përdorimit është shkurtuar jashtë mase, ndalojeni punën menjëherë.** Kjo mund të rezultojë në rrezik mbinxehjeje, djegie të mundshme, madje edhe shpërthim.
4. **Nëse ju futen elektrolite në sy, shpëlajini sytë me ujë të pastër dhe kërkoni ndihmë mjekësore menjëherë.** Kjo gjë mund të rezultojë në humbje të shikimit.

17. Përveç kur vegla e mbështet përdorimin pranë linjave elektrike me voltazh të lartë, mos e përdorni kutinë e baterisë pranë linjave elektrike me voltazh të lartë. Kjo mund të shkaktojë një defekt ose dëmtim të veglës ose të kutisë së baterisë.

RUAJINI KËTO UDHËZIME.

▲KUJDES: Përdorni vetëm bateri origjinale Makita. Përdorimi i baterive jo-origjinale Makita ose baterive që mund të jenë modifikuar, mund të rezultojë në marrjen flakë të baterisë, lëndime personale apo dëmtime. Kjo do të anulohë gjithashtu edhe garancinë e Makita-s për veglën e Makita-s dhe ngarkuesin.

Këshilla për të ruajtur jetëgjatësinë maksimale të baterisë

1. Ngarkojeni baterinë përpara se të shkarkohet plotësisht. Gjithmonë ndaloni punën me pajisjen dhe ngarkoni baterinë kur vëreni ulje të fuqisë së pajisjes.
2. Asnjëherë mos e ringarkoni baterinë e ngarkuar plotësisht. Mbingarkimi shkurton jetëgjatësinë e shërbimit të baterisë.
3. Ngarkojeni baterinë në temperaturën e dhomës në 10 °C - 40 °C. Lëreni kutinë e nxehtë të baterisë të ftohet përpara se ta ngarkoni atë.
4. Kur nuk e përdorni kutinë e baterisë, hiqeni atë nga vegla ose karikuesi.
5. Ngarkojeni baterinë nëse nuk e përdorni për një kohë të gjatë (mbi gjashtë muaj).

Udhëzime të rëndësishme rreth sigurisë për njësinë me valë

1. Mos e çmontoni ose dëmtoni njësinë me valë.
2. Mbajeni njësinë me valë larg fëmijëve të vegjël. Nëse gëlltitet aksidentalisht, kërkoni menjëherë kujdes mjekësor.
3. Përdoreni njësinë me valë vetëm me vegla "Makita".
4. Mos e ekspozoni njësinë me valë në shi ose në kushte me lagështirë.
5. Mos e përdorni njësinë me valë në vende ku temperatura tejkalon 50 °C.
6. Mos e përdorni njësinë me valë në afërsi të instrumenteve mjekësore, si p.sh. stimulues kardiakë.
7. Mos e përdorni njësinë me valë në afërsi të pajisjeve të automatizuara. Nëse përdoret, pajisjet e automatizuara mund të shkaktojnë keqfunksionim ose gabim.
8. Mos e përdorni njësinë me valë në vende që janë nën temperaturë të lartë ose në vende ku mund të gjenerohet elektricitet statik apo zhurmë elektrike.
9. Njësia me valë mund të prodhojë fusha elektromagnetike (EMF), por që nuk janë të dëmshme për përdoruesin.

10. Njësia me valë është një instrument i saktë. Bëni kujdes që të mos e rrëzoni ose ta godisni njësinë me valë.
11. Shmangni prekjen e terminalit të njësisë me valë me duar të zhveshura apo me materiale metalike.
12. Hiqeni gjithmonë baterinë në produkt kur instaloni njësinë me valë në të.
13. Kur hapni kapakun e folesë, shmangni vendin ku pluhuri dhe uji mund të hyjnë në fole. Mbajeni hyrjen e folesë gjithmonë të pastër.
14. Vendoseni gjithmonë njësinë me valë në drejtimin e duhur.
15. Butonin e aktivizimit të lidhjes me valë në njësinë me valë mos e shtypni fort dhe/ose me objekt me majë të mprehtë.
16. Gjatë përdorimit mbyllni gjithmonë kapakun e folesë.
17. Mos e hiqni njësinë me valë nga foleja ndërsa vegla po furnizohet me energji. Në të kundërt, mund të shkaktohet keqfunksionim i njësisë me valë.
18. Mos e hiqni etiketën në njësinë me valë.
19. Mos vendosni etiketa në njësinë me valë.
20. Mos e lini njësinë me valë në një vend ku mund të gjenerohet elektricitet statik apo zhurmë elektrike.
21. Mos e lini njësinë me valë në një vend ku i nënshtrohet nxehtësisë së lartë, si p.sh. në një makinë të parkuar nën diell.
22. Mos e lini njësinë me valë në një vend me pluhur ose grimca të vogla apo në një vend ku mund të gjenerohet gaz gjërryes.
23. Ndryshimi i papritur i temperaturës mund të vesojë njësinë me valë. Mos e përdorni njësinë me valë derisa vesa të jetë tharë plotësisht.
24. Kur pastroni njësinë me valë, fshijeni lehtë me një leckë të butë e të thatë. Mos përdorni benzinë, hollues, graso përcjellëse apo të ngjashme.
25. Gjatë ruajtjes, vendoseni njësinë me valë në kasën e dhënë ose në një enë pa elektricitet statik.
26. Në folenë e veglës mos vendosni pajisje të tjera të ndryshme nga njësia me valë "Makita".
27. Mos e përdorni veglën me kapakun e folesë të dëmtuar. Uji, pluhuri dhe papastëritë që hyjnë në fole mund të shkaktojnë keqfunksionim.
28. Mos e tërhiqni dhe/ose rrotulloni kapakun e folesë më shumë seç nevojitet. Rivendoseni kapakun nëse hiqet nga vegla.
29. Ndërroni kapakun e folesë nëse humbet apo dëmtohet.

RUAJINI KËTO UDHËZIME.

PËRSHKRIMI I PUNËS

▲KUJDES: Sigurohuni gjithmonë që vegla të jetë e fikur dhe kutia e baterisë të jetë hequr përpara se ta rregulloni apo t'i kontrolloni funksionet e veglës.

Instalimi ose heqja e kutisë së baterisë

▲KUJDES: Fikeni gjithmonë veglën përpara se të instaloni ose hiqni kutinë e baterisë.

▲KUJDES: Mbajeni fort veglën dhe kutinë e baterisë kur montoni ose hiqni kutinë e baterisë. Mosmbajtja fort e veglës dhe e kutisë së baterisë mund të bëjë që t'ju rrëshqasin nga duart dhe të shkaktojë dëmtim të veglës dhe të kutisë së baterisë, si dhe lëndim personal.

► Fig.7: 1. Treguesi i kuq 2. Butoni 3. Kutia e baterisë

Për të hequr kutinë e baterisë, rrëshqiteni atë nga vegla ndërsa rrëshqisni butonin në pjesën e përparme të kutisë së baterisë.

Për të vendosur kutinë e baterisë, bashkërenditni gjuhëzën e kutisë së baterisë me kanalën e folesë dhe rrëshqiteni për ta futur. Futeni deri në fund, derisa të kërca së dhe të bllokohet në vend. Nëse shikoni treguesin e kuq në anën e sipërme të butonit, ajo nuk është e bllokuar plotësisht.

▲KUJDES: Vendoseni gjithnjë plotësisht kutinë e baterisë derisa treguesi i kuq të mos duket. Në të kundërt, ajo mund të bjerë aksidentalisht nga vegla duke ju lënduar juve ose personin pranë jush.

▲KUJDES: Mos e vendosni me forcë kutinë e baterisë. Nëse kutia nuk hyn lehtë, nuk po e futni siç duhet.

Sistemi i mbrojtjes së veglës/baterisë

Vegla është e pajisur me një sistem të mbrojtjes së veglës/baterisë. Ky sistem ndërpret automatikisht energjinë në motor për të zgjatur jetëgjatësinë e veglës dhe baterisë. Vegla do të ndalojë automatikisht gjatë punës nëse vegla ose bateria janë vendosur sipas një prej kushteve të mëposhtme. Treguesit ndizen në rrethana të caktuara.

Mbrojtja nga mbingarkesa

Kur vegla vihet në punë në mënyrë të tillë që e bën atë të tërheqë një rrymë më të lartë nga normalja, vegla ndalon automatikisht. Në këtë situatë, fikeni veglën dhe ndaloni punën që shkaktoi mbingarkesën e veglës. Pastaj ndizeni veglën për ta rinisur.

Mbrojtja ndaj mbinxehjes

Kur vegla ose bateria është mbinxehur, vegla ndalon automatikisht dhe llamba pulson. Në këtë rast, lëreni veglën dhe baterinë të ftohet përpara se ta ndizni sërish.

Mbrojtja nga mbishkarkimi

Kur kapaciteti i baterisë ulet, vegla ndalon automatikisht. Nëse produkti nuk funksionon edhe kur shtypen çelësat, hiqni bateritë nga vegla dhe ngarkojni ato.

Treguesi i kapacitetit të mbetur të baterive

Shtypni butonin e kontrollit në kutinë e baterisë për të treguar kapacitetin e mbetur të baterisë. Llambat treguese ndizen për pak sekonda.

► Fig.8: 1. Llambat treguese 2. Butoni i kontrollit

Llambat treguese			Kapaciteti i mbetur
Ndezur	Fikur	Duke pulsuar	
■ ■ ■ ■			75% deri 100%
■ ■ ■ □			50% deri 75%
■ ■ □ □			25% deri 50%
■ □ □ □			0% deri 25%
▬ □ □ □			Ngarkojeni baterinë.
■ ■ □ □			Llambushka mund të ketë keqfunksionuar.
□ □ ■ ■			

SHËNIM: Në varësi të kushteve të përdorimit dhe të temperaturës së ambientit, treguesi mund të ndryshojë paksa nga kapaciteti aktual.

Veprimi i ndërrimit

▲PARALAJMËRIM: Përpara se ta vendosni kutinë e baterisë në vegël, kontrolloni gjithmonë nëse çelësi është në pozicionin e duhur dhe nëse kthehet në pozicionin "OFF" (fikur) kur lëshohet.

▲PARALAJMËRIM: Mos e shtyni KURRË me forcë butonin e zhblokimit duke e goditur ose në ndonjë mënyrë tjetër. Një çelës me një buton zhblokimi të sforcuar mund të çojë në ndeje të paqëllimshme dhe lëndime personale të rënda.

▲PARALAJMËRIM: ASNJËHERË mos e përdorni veglën nëse ndizet kur thjeshtë tërhiqni këmbëzën e çelësit, pa shtypur butonin e bllokimit. Një çelës që ka nevojë të riparohet mund të çojë në ndeje të paqëllimshme dhe lëndime personale të rënda. Çojeni veglën në qendrën e shërbimit të Makita-s për riparimet e duhura PËRPARA përdorimit të mëtejshëm.

Për të shmangur tërheqjen aksidentale të këmbëzës së çelësit, vegla është pajisur me një buton zhblokimi. Për ta ndezur veglën lëshoni butonin e zhblokimit dhe tërhiqni këmbëzën e çelësit. Lëshoni këmbëzën e çelësit për ta fikur.

► Fig.9: 1. Këmbëza e çelësit 2. Butoni i bllokimit

VINI RE: Mos e tërhiqni fort këmbëzën e çelësit pa shtypur butonin e zhblokimit. Kjo mund të shkaktojë thyerjen e çelësit.




▲KUJDES: Vegla fillon të frenojë rrotullimin e fletës rrethore të sharrës menjëherë pasi lëshoni këmbëzën e çelësit. Mbjajeni veglën fort për t'iu përgjigjur reagimit të frenave kur lëshoni këmbëzën e çelësit. Reagimi i papritur mund ta rrezojë veglën nga dora juaj dhe mund të shkaktojë lëndim të personit.

Funksioni i ndryshimit automatik të shpejtësisë

Kjo vegël ka “regjimin e shpejtësisë së lartë” dhe “regjimin e forcës së lartë rrotulluese”. Vegla e ndryshon regjimin e punës në mënyrë automatike në varësi të ngarkesës së punës. Kur ngarkesa e punës është e ulët, vegla do të funksionojë në “regjimin e shpejtësisë së lartë” për veprim prerës më të shpejtë. Kur ngarkesa e punës është e lartë, vegla do të funksionojë në “regjimin e forcës së lartë rrotulluese” për funksionim prerjeje më të fuqishëm.

► **Fig.10:** 1. Treguesi i regjimit

Treguesi i regjimit ndizet në të gjelbër kur vegla është në “regjimin e forcës së lartë rrotulluese”. Nëse vegla përdoret me ngarkesë të tepërt, treguesi i regjimit do të pulsojë në të gjelbër. Treguesi i regjimit ndalon së pulsuari dhe më pas ndizet ose fiket nëse reduktoni ngarkesën në vegël.

Gjendja e treguesit të regjimit			Regjimi i funksionimit
<input checked="" type="radio"/> Ndezur	<input type="radio"/> Fikur	<input checked="" type="radio"/> Duke pulsuar	
			Regjimi i shpejtësisë së lartë
			Regjimi i forcës së lartë rrotulluese
			Sinjalizimi i mbingarkesës

Rregullimi i thellësisë së prerjes

▲KUJDES: Pas rregullimit të thellësisë së prerjes, shtrëngojeni gjithnjë mirë levën.

Lironi levën në niveluesin e thellësisë dhe lëvizni bazën lart ose poshtë. Siguroni bazën në thellësinë e dëshiruar të prerjes duke shtrënguar levën. Për prerje më të pastra, më të sigurta, vendoseni thellësinë e prerjes në mënyrë të tillë që poshtë materialit të punës të mos dalë më shumë se një dhëmb i fletës. Përdorimi i thellësisë së saktë të prerjes ndihmon në uljen e mundësisë për ZMBRAPSEJE të rrezikshme që mund të shkaktojnë lëndime personale.

► **Fig.11:** 1. Leva

Prerje me buzë

▲KUJDES: Pas rregullimit të këndit së prerjes, shtrëngojeni gjithnjë mirë vidat shtrënguese.

Lironi vidat shtrënguese. Caktoni këndin e dëshiruar duke e anuar sipas nevojës, më pas shtrëngojeni vidat shtrënguese mirë.

► **Fig.12:** 1. Vida e mbërthimit

Përdorni bllokuesin kur bëni prerje të sakta në kënd 45°. Rrotullojeni plotësisht bllokuesin siç ilustronhet në varësi të prerjes me kënd 0° - 45° ose prerjes me kënd 0° - 48°.

► **Fig.13:** 1. Bllokuesi

Shikimi

Për prerje të drejta, bashkërenditni pozicionin 0° në pjesën e përparme të bazës me vijën e prerjes. Për prerje me buzë 45° bashkërendisni pozicionin 45° me vijën e prerjes.

► **Fig.14:** 1. Vija e prerjes (pozicioni 0°) 2. Vija e prerjes (pozicioni 45°)

Ndezja e llambës

▲KUJDES: Mos e shikoni direkt dritën ose burimin e dritës.

Për të ndezur llambën pa vënë në funksionim veglën, tërhiqni këmbëzën e çelësit pa shtypur butonin e zhblokimit. Për të ndezur llambën me veglën në funksionim, shtypni dhe mban shtypur butonin e zhblokimit dhe tërhiqni këmbëzën e çelësit. Llamba fiket pas 10 sekondash pas lëshimit të këmbëzës së çelësit.

► **Fig.15:** 1. Llamba

SHËNIM: Përdorni një leckë të thatë për të fshirë papastërtitë nga lentet e llambës. Bëni kujdes të mos gërvishitni lentet e llambës, në të kundërt ajo do të ulë ndriçimin.

SHËNIM: Kur vegla mbinxehet, llamba pulson për një minutë. Në këtë rast, ftohni veglën para një përdorimi tjetër.

Grepit

Aksesorë opsionalë

▲KUJDES: Hiqeni gjithmonë baterinë kur e varni veglën me anë të grepit.

▲KUJDES: Asnjëherë mos e varni veglën në lartësi të mëdha ose vende që mund të jenë të paqëndrueshme si p.sh. mbi sipërfaqe. Ndryshe, vegla mund të humbë ekuilibrin dhe të bjerë.

▲KUJDES: Mos e tërhiqni veglën poshtë kur është e varur në grep.

Grepit shërben për ta varur veglën përkohësisht.

► **Fig.16**

Bashkoni grepin me vidat siç ilustronhet.

► **Fig.17:** 1. Grepit 2. Vida

Për ta përdorur grepin, thjesht rrotullojeni grepin derisa të ngeçë në pozicionin hapur.

Kur nuk e përdorni grepin, rrotullojeni gjithmonë derisa të kërcasë në pozicionin mbyllur.

► **Fig.18:** 1. Pozicioni hapur 2. Pozicioni mbyllur

Freni elektrik

Kjo vegël është pajisur me fren elektrik për fletën. Nëse vegla vazhdimisht nuk arrin të ndalojë me shtëpitësi fletën e sharrës së rumbullakët pas lëshimit të levës së çelësit, dërgojeni veglën për shërbim te një qendër shërbimi Makita.

▲KUJDES: Sistemi i frenit të fletës nuk zëvendëson mbrojtësen e fletës. **ASNJËHERË MOS E PËRDORNI VEGLËN PA NJË MBROJTËSE FUNKSIONALE TË FLETËS. MUND TË SHKAKTOHET PLAGOSJE E PERSONIT.**

Funksioni elektronik

Veglat të cilat janë të pajisura me funksionin elektronik përdoren lehtë për shkak të karakteristikës/karakteristikave të mëposhtme.

Veçoria e ndezjes së ngadaltë

Ndezje e ngadaltë për shkak të tronditjes së mbytur të ndezjes.

MONTIMI

▲KUJDES: Sigurohuni gjithmonë që vegla të jetë e fikur dhe kutia e baterisë të jetë hequr përpara se të kryeni ndonjë punë në vegël.

Ruajtja e çelësit hegzagonal

Kur nuk e keni në përdorim, çelësin hegzagonal ruajeni siç tregohet në figurë që të mos ju humbë.

► Fig.19: 1. Çelësi hegzagonal

Heqja ose instalimi i fletës së sharrës rrethore

▲KUJDES: Sigurohuni që fleta e sharrës rrethore të jetë instaluar me dhëmbët e drejtuar nga ana e përparme e veglës.

▲KUJDES: Përdorni vetëm çelësa Makita për instalimin apo heqjen e fletës së sharrës rrethore.

Për të hequr fletën e sharrës së rumbullakët, shtypni deri në fund bllokuesin e boshtit në mënyrë që fleta e sharrës së rumbullakët të mos rrotullohet dhe përdorni çelësin fiso hegzagonal për të liruar bulonin hegzagonal. Më pas hiqni bulonin hegzagonal, flaxhën e jashtme, fletën e sharrës së rumbullakët dhe unazën (sipas shtetit).

► Fig.20: 1. Bllokuesi i boshtit 2. Çelësi fiso hegzagonal 3. Lirimi 4. Shtrengimi

Për veglën pa unazë

► Fig.21: 1. Buloni hegzagonal 2. Flaxha e jashtme 3. Fleta e sharrës së rumbullakët 4. Shigjeta në fletën e sharrës së rumbullakët 5. Flaxha e brendshme 6. Shigjeta në vegël

Për veglën me unazë

► Fig.22: 1. Buloni hegzagonal 2. Flaxha e jashtme 3. Fleta e sharrës së rumbullakët 4. Shigjeta në fletën e sharrës së rumbullakët 5. Unaza 6. Flaxha e brendshme 7. Shigjeta në vegël

Për të instaluar fletën e sharrës rrethore, ndiqni procedurën e anasjelltë të heqjes. Bashkërenditni drejtimin e shigjetës në fletë me drejtimin e shigjetës në vegël.

Për veglën me flaxhë të brendshme për disk sharre me diametër vrimë të ndryshëm nga 15,88 mm

Flaxha e brendshme ka një dalje me një diametër të caktuar nga njëra anë dhe një dalje me një diametër tjetër nga ana tjetër. Zgjidhni anën e saktë nga e cila dalja përputhet saktësisht me vrimën e diskut të sharrës. Montoni flaxhën e brendshme në boshtin e montimit në mënyrë të tillë që ana e duhur e daljes në flaxhën e brendshme të jetë e drejtuar nga jashtë dhe pastaj vendosni diskun e sharrës dhe flaxhën e jashtme.

► Fig.23: 1. Boshti i montimit 2. Flaxha e brendshme 3. Fleta e sharrës së rumbullakët 4. Flaxha e jashtme 5. Buloni hegzagonal

▲PARALAJMËRIM: SIGUROHUNI TA SHTRËNGONI MIRË NË DREJTIM TË AKREPAVE TË ORËS BULONIN ME KOKË HEKZAGONALE. Gjithashtu keni kujdes të mos e shtrëngoni bulonin me forcë. Nëse ju rrëshqet dora nga çelësi hegzagonal mund të shkaktoni lëndime personale.

▲PARALAJMËRIM: Sigurohuni që dalja “a” në flaxhën e brendshme që është e drejtuar nga jashtë të përputhet saktësisht me vrimën “a” të diskut të sharrës. Montimi i diskut në anën e gabuar mund të shkaktojë dridhje të rrezikshme.

Për vegël me flaxhë të brendshme për disk sharre me diametër vrimë 15,88 mm (specifike sipas shtetit)

Montoni flaxhën e brendshme me anën e futur të saj të drejtuar nga jashtë mbi boshtin e montimit dhe më pas vendosni diskun e sharrës (me unazën të instaluar, nëse është nevojë), flaxhën e jashtme dhe bulonin hegzagonal.

Për veglën pa unazë

► Fig.24: 1. Boshti i montimit 2. Flaxha e brendshme 3. Fleta e sharrës së rumbullakët 4. Flaxha e jashtme 5. Buloni hegzagonal

Për veglën me unazë

► Fig.25: 1. Boshti i montimit 2. Flaxha e brendshme 3. Fleta e sharrës së rumbullakët 4. Flaxha e jashtme 5. Buloni hegzagonal 6. Unaza

⚠️ PARALAJMËRIM: SIGUROHUNI TA SHTRËNGONI MIRË NË DREJTIM TË AKREPAVE TË ORËS BULONIN ME KOKË HEKZAGONALE. Gjithashtu kini kujdes të mos e shtrëngoni bulonin me forcë. Nëse ju rrëshqet dora nga çelësi heksagonal mund të shkaktoni lëndime personale.

⚠️ PARALAJMËRIM: Nëse nevojitet unaza për të montuar diskut në bosht, sigurohuni gjithmonë që ndërmjet flanaxhës së brendshme dhe asaj të jashtme të jetë instaluar unaza e duhur për vrimën e boshtit të diskut që keni ndër mend të përdorni. Përdorimi i unazës së gabuar për vrimën e boshtit mund të rezultojë në montim të pasaktë të diskut që çon në lëvizje të diskut dhe dridhje të rënda, të cilat mund të sjellin humbje të kontrollit gjatë punës dhe lëndime personale të rënda.

Pastrimi i mbrojtës së diskut

Kur ndërroni fletën e sharrës rrethore, sigurohuni gjithashtu që të pastroni tallashin e grumbulluar në mbrojtësen e sipërme dhe të poshtme të fletës, siç diskutohet në seksionin Mirëmbajtja. Këto veprime nuk shmangin nevojën për të kontrolluar funksionimin e mbrojtës së poshtme përpara çdo përdorimi.

Lidhja me një fshesë me korrent

Kur dëshironi të kryeni prerje të pastra, lidhni një fshesë me korrent Makita me veglën. Lidhni tubin e fshesës me korrent me hundëzën e pluhurit siç tregohet në figurë.

► **Fig.26:** 1. Hundëza e pluhurit 2. Vida

► **Fig.27:** 1. Tubi 2. Fshesa me korrent

PËRDORIMI

Kjo vegël është prodhuar për të prerë produkte druri. Me fletët e përshtatshme origjinale të sharrave të rumbullakëta Makita mund të sharohen edhe materialet e mëposhtme:

- Produktet e aluminit
- Referojuni uebsajtit tonë ose kontaktoni me distributorin lokal të Makita për fletët e duhura të sharrës rrethore që do të përdoren për materialin që do të pritet.

Kontrollimi i funksionit të mbrojtës së fletës

Vendosni këndin e prerjes së pjerrët në 0°, dhe më pas tërhiqeni mbrojtësen e poshtme manualisht deri në fund dhe lëshojeni. Mbrojtësja e poshtme funksionon mirë nëse;

- është tërhequr mbi bazë pa pengesa dhe;
- kthehet automatikisht dhe kontakton me bllokuesin.

► **Fig.28:** 1. Mbrojtësja e sipërme 2. Mbrojtësja e poshtme 3. Baza 4. Bllokuesi 5. Hapur 6. Mbyllur

Nëse mbrojtësja e poshtme nuk funksionon siç duhet, kontrolloni nëse është grumbulluar pluhur sharre brenda mbrojtëseve të sipërme dhe të poshtme. Nëse mbrojtësja e poshtme nuk funksionon siç duhet edhe pas heqjes së pluhurit, kërkoni nga qendra e shërbimit të Makita të kryejë shërbimin e veglës.

Operacioni i prerjes

⚠️ KUJDES: Mbani maskë kundër pluhurit kur kryeni operacionin e prerjes.

⚠️ KUJDES: Sigurohuni ta lëvizni veglën përpara lehtë dhe në vijë të drejtë. Shtyrja e veglës me forcë, ose mbajtja jo në vijë të drejtë do të çojnë në mbinxehje të motorit dhe zbrapsje të rrezikshme, duke shkaktuar ndoshta dhe lëndime serioze.

SHËNIM: Vegla mund të mos funksionojë me kapacitet të plotë kur temperatura e kutisë së baterisë është e ulët. Në këtë moment, për shembull, përdorni veglën për një prerje të lehtë për pak kohë derisa kutia e baterisë të marrë temperaturën e dhomës. Më pas, vegla mund të punojë me kapacitet të plotë.

► Fig.29

Mbajeni veglën fort. Pajisja është e pajisur me një dorezë të përparme dhe një dorezë të pasme. Përdorini të dyja për ta mbajtur veglën sa më fort. Nëse të dyja duart përdoren për të mbajtur sharrën, ato s'mund të priten nga fleta e sharrës rrethore. Vendoseni bazën mbi materialin e punës që do të pritet pa bërë asnjë kontakt me fletën e sharrës rrethore. Në vijim ndizeni veglën dhe prisni derisa fleta e sharrës rrethore të arrijë shpejtësinë e plotë. Tani thjesht lëvizni veglën përpara mbi sipërfaqen e materialit të punës, duke e mbajtur në të njëjtën lartësi dhe duke ecur para me ngadalë derisa sharrimi të përfundojë.

Për prerje të pastra, mbajeni vijën e sharrimit të drejtë dhe shpejtësinë e përparimit të njëtrajtshme. Nëse prerja nuk bëhet sipas vijës së prerjes që kishit në mendje, mos u përpiqni ta ktheni ose ta tërhiqni veglën pas me forcë për në vijën e prerjes. Ky veprim mund të bllokojë fletën e sharrës rrethore e të çojë në zbrapsje të rrezikshme dhe ndoshta lëndime serioze. Lëshoni çelësin, prisni derisa fleta e sharrës rrethore të ndalojë dhe më pas tërhiqni veglën. Rivendoseni veglën në vijën e re të prerjes dhe nisni sërish prerjen. Përpiquni të shmangni pozicionet që ekspozojnë përdoruesin ndaj cillave të drurit dhe tallashit që nxjerr sharra. Përdorni syze mbrojtëse për të shmangur lëndimin.

Kufizues (vizore udhëzuese)

⚠️ KUJDES: Sigurohuni që boshti lëvizës të jetë instaluar mirë në pozicionin e duhur përpara përdorimit. Bashkimi i papërshtatshëm mund të shkaktojë zbrapsje të rrezikshme.

► **Fig.30:** 1. Kufizues (vizore udhëzuese) 2. Vida e mbërthimit

Udhëzuesi praktik lëvizës ju mundëson prerje të drejta tepër të sakta. Thjesht rrëshqiteni udhëzuesin me ngadalë lart kundër anës së materialit të punës dhe sigurojeni në pozicion me anë të vidës në pjesën e përparme të bazës. Me të mund të bëni dhe prerje të përsëritura me gjerësi uniforme.

Shina udhëzuese

Aksesorë opsionalë

Vendoseni veglën në fundin e pasmë të shinës udhëzuese. Rrotullojini dy vidat rregulluese në bazën e veglës në mënyrë që vegla të rrëshqasë lehtësisht pa zhurmë. Mbajini fort të dyja dorezat e veglës, atë të përparme dhe atë të pasme. Ndizeni veglën dhe prisni mbrojtësen nga ashklat përgjatë gjatësisë së plotë me një goditje. Tani, skaji i mbrojtëses nga ashklat përkon me skajin e prerjes.

► **Fig.31:** 1. Vidat rregulluese

Kur kryeni prerje me kënd të pjerrët me shinën udhëzuese, përdorni levën e rrëshqitjes për të mos lejuar që vegla të bjerë.

Lëvizni levën e rrëshqitjes mbi bazën e veglës në drejtim të shigjetës me qëllim që të aktivizojë kanalën e prerjes së poshtme të shinën udhëzuese.

► **Fig.32:** 1. Leva e rrëshqitjes

Lidhja me kordon (rrip lidhës)

⚠ Paralajmërimet e sigurisë specifike për përdorimin në lartësi

Lexoni të gjitha paralajmërimet dhe udhëzimet për sigurinë. Mosndjekja e paralajmërimeve dhe e udhëzimeve mund të rezultojë në lëndime serioze.

- Gjithmonë mbajeni veglën të lidhur kur punoni “në lartësi”.** Gjatësia maksimale e kordonit është 2 m (6,5 ft). Lartësia maksimale e lejueshme e rënies së kordonit (rripit lidhës) nuk duhet të jetë mbi 2 m (6,5 ft).
- Përdoreni vetëm me kordon të përshtatshëm për këtë lloj vegle dhe të miratuar për të paktën 7,0 kg (15,4 lbs).**
- Mos e ankroni kordonin e veglës në ndonjë gjë në trupin tuaj ose në komponentë të lëvizshëm.** Ankrojeni kordonin e veglës në një strukturë të fortë që mund t’u bëjë ballë forcave të një vegle që bie.
- Sigurohuni që kordoni të jetë siguruar mirë në secilën anë përpara përdorimit.**
- Inspektojeni veglën dhe kordonin përpara çdo përdorimi për dëmtime dhe për funksionimin e rregullt (duke përfshirë copën dhe fijet e qepjes).** Mos e përdorni nëse është i dëmtuar ose nuk funksionon në rregull.
- Mos i mbështillni kordonët rrotull cepave të mprehtë ose të ashpër, ose mos i lejoni të bien në kontakt me to.**
- Shtrengojeni anën tjetër të kordonit jashtë zonës së punës në mënyrë që vegla të mbahet në mënyrë të sigurt nëse bie.**
- Lidhni kordonin në mënyrë të tillë që vegla të lëvizë larg nga operatori nëse bie.** Veglat që bien do të luhaten në kordon, gjë që mund të shkaktojë lëndime ose humbje të ekuilibrit.
- Mos e përdorni pranë pjesëve që lëvizin ose makinerive që janë në punë.** Në të kundërt, mund të shkaktohet rrezik shtypjeje ose ngecjeje.
- Mos e transportoni veglën nga pajisja e bashkuar ose nga kordoni.**
- Transferojeni veglën nga njëra dorë në tjetrën vetëm kur keni ekuilibrin e duhur.**

- Mos i bashkoni kordonët me veglën në mënyrë të tillë që pengon funksionimin e mbrojtëseve, çelësave ose zhblokuesve.**
- Shmangni ngecjen nëpër kordon.**
- Mbajeni kordonin larg zonës së prerjes së veglës.**
- Përdorni kllapa me shumë funksione dhe të llojit me vidhosje. Mos përdorni kllapa me një funksion dhe me kapëse.**
- Në rast se vegla rrezohet, ajo duhet të etiketohet dhe të hiqet nga shërbimi dhe duhet të inspektohet nga një fabrikë ose qendër e autorizuar shërbimi Makita.**

► **Fig.33:** 1. Vrima për kordonin (rripi lidhës)

FUNKSIONI I AKTIVIZIMIT TË LIDHJES ME VALË

Çfarë mund të bëni me funksionin e aktivizimit të lidhjes me valë

Funksioni i aktivizimit të lidhjes me valë mundëson përdorim të pastër dhe të rehatshëm. Duke lidhur një fshesë të mbështetur me korrent me veglën, mund ta përdorni fshesën automatikisht bashkë me mekanizmin e funksionimit të veglës.

► **Fig.34**

Për përdorimin e funksionit të aktivizimit të lidhjes me valë, përgatitni sa më poshtë:

- Një njësi me valë (aksesor opsional)
- Një fshesë me korrent që mbështet funksionin e aktivizimit të lidhjes me valë

Pamja e përgjithshme e cilësimit të funksionit të aktivizimit të lidhjes me valë është si në vijim. Referojuni seksioneve përkatëse për procedurat e detajuara.

1. Instalimi i njësisë me valë
2. Regjistrimi i veglës për fshesën me korrent
3. Nisja e funksionit të aktivizimit të lidhjes me valë

Instalimi i njësisë me valë

Aksesorë opsionalë

⚠ KUUJDES: Kur instaloni njësinë me valë, vendoseni veglën në një sipërfaqe të sheshtë dhe të qëndrueshme.

VINI RE: Përpara se të instaloni njësinë me valë, pastroni pluhurin dhe papastërtitë në vegël. Pluhuri ose papastërtitë mund të shkaktojnë keqfunksionim nëse hiqen në follenë e njësisë me valë.

VINI RE: Për të parandaluar keqfunksionimin që shkaktohet nga elektriciteti statik, përpara se të ngrini njësinë me valë, prekni një material që shkarkon elektricitetin statik, si p.sh. një pjesë metalike të veglës.

VINI RE: Kur instaloni njësinë me valë, sigurohuni gjithmonë që njësia me valë të jetë e vendosur në drejtimin e duhur dhe kapaku të jetë i mbyllur plotësisht.

1. Hapni kapakun në vegël siç tregohet në figurë.

► **Fig.35:** 1. Kapaku

2. Vendosni njësinë me valë në fole dhe më pas mbyllni kapakun.

Kur vendosni njësinë me valë, bashkërenditni pjesët e dala me pjesët e futura në fole.

► **Fig.36:** 1. Njësia me valë 2. Pjesa e dalë 3. Kapaku 4. Pjesa e futur

Kur hiqni njësinë me valë, hapni ngadalë kapakun. Grepit në pjesën e pasme të kapakut do ta ngrënë njësinë me valë ndërsa ju tërhiqni lart kapakun.

► **Fig.37:** 1. Njësia me valë 2. Grepit 3. Kapaku

Pasi ta hiqni njësinë me valë, vendoseni në kasën e dhënë ose në një enë pa elektricitet statik.

VINI RE: Përdorni gjithmonë grepat në pjesën e pasme të kapakut kur hiqni njësinë me valë. Nëse grepat nuk e kapin njësinë me valë, mbyllni plotësisht kapakun dhe hapeni sërish ngadalë.

Regjistrimi i veglës për fshesën me korrent

SHËNIM: Për regjistrimin e veglës nevojitet fshesë me korrent "Makita" që mbështet funksionin e aktivizimit të lidhjes me valë.

SHËNIM: Përfundoni instalimin e njësisë me valë në vegël përpara se të nisni regjistrimin e veglës.

SHËNIM: Gjatë regjistrimit të veglës, mos e tërhiqni këmbëzën e çelësit ose mos ndizni çelësin e energjisë në fshesën me korrent.

SHËNIM: Gjithashtu, referojuni manualit të përdorimit të fshesës me korrent.

Nëse dëshironi të aktivizoni fshesën me korrent bashkë me mekanizmin e funksionimit të veglës, kryeni paraprakisht regjistrimin e veglës.

1. Instaloni bateritë në fshesën me korrent dhe në vegël.

2. Vendoseni çelësin e pushimit në fshesën me korrent në "AUTO".

► **Fig.38:** 1. Çelësi i pushimit

3. Shtypni butonin e aktivizimit të lidhjes me valë në fshesën me korrent për 3 sekonda derisa llamba e aktivizimit të lidhjes me valë të pulsojë në të gjelbër. Më pas, në të njëjtën mënyrë shtypni butonin e aktivizimit të lidhjes me valë në vegël.

► **Fig.39:** 1. Butoni i aktivizimit të lidhjes me valë 2. Llamba e aktivizimit të lidhjes me valë

Nëse fshesa me korrent dhe vegla lidhen me sukses, llamba e aktivizimit të lidhjes me valë do të ndizet në të gjelbër për 2 sekonda dhe më pas do të fillojë të pulsojë në blu.

SHËNIM: Llamba e aktivizimit të lidhjes me valë përfundon pulsimin në të gjelbër pasi kalojnë 20 sekonda. Shtypni butonin e aktivizimit të lidhjes me valë në vegël ndërkohë që llamba e aktivizimit të lidhjes me valë në fshesë është duke pulsuar. Nëse llamba e aktivizimit të lidhjes me valë nuk pulson në të gjelbër, shtypni shkurtimisht butonin e aktivizimit të lidhjes me valë dhe mbajeni sërish pa lëvizur.

SHËNIM: Kur kryeni dy ose më shumë regjistrime të veglës për një fshesë me korrent, përfundojini ato një nga një.

Nisja e funksionit të aktivizimit të lidhjes me valë

SHËNIM: Përfundoni regjistrimin e veglës për fshesën me korrent përpara aktivizimit të lidhjes me valë.

SHËNIM: Gjithashtu, referojuni manualit të përdorimit të fshesës me korrent.

Pas regjistrimit të veglës në fshesën me korrent, kjo e fundit do të funksionojë automatikisht me mekanizmin e funksionimit të veglës.

1. Instaloni njësinë me valë në vegël.

2. Lidhni tubin e fshesës me korrent me veglën.

► **Fig.40**

3. Vendoseni çelësin e pushimit në fshesën me korrent në "AUTO".

► **Fig.41:** 1. Çelësi i pushimit

4. Shtypni shkurtimisht butonin e aktivizimit të lidhjes me valë në vegël. Llamba e aktivizimit të lidhjes me valë do të pulsojë në blu.

► **Fig.42:** 1. Butoni i aktivizimit të lidhjes me valë

2. Llamba e aktivizimit të lidhjes me valë

5. Tërhiqni këmbëzën e çelësit të veglës. Kontrolloni nëse fshesa me korrent funksionon me këmbëzën e çelësit të tërhequr.

Për të ndaluar aktivizimin e lidhjes me valë të fshesës me korrent, shtypni butonin e aktivizimit të lidhjes me valë në vegël.

SHËNIM: Llamba e aktivizimit të lidhjes me valë në vegël do të ndalojë pulsimin në blu kur nuk kryhet asnjë veprim për 2 orë. Në këtë rast, vendoseni çelësin e pushimit në fshesën me korrent në "AUTO" dhe shtypni sërish butonin e aktivizimit të lidhjes me valë në vegël.

SHËNIM: Fshesa me korrent ndizet/fiket me vonesë. Diktimi i mekanizmit të funksionimit të veglës nga fshesa me korrent kërkon pak kohë.



SHËNIM: Largësia e transmetimit të njësisë me valë mund të ndryshojë në varësi të vendndodhjes dhe kushteve të mjedisit përreth.

SHËNIM: Kur dy ose më shumë vegla regjistrohen në një fshesë me korrent, kjo e fundit mund të fillojë të punojë edhe nëse nuk keni tërhequr këmbëzën e çelësit pasi një përdorues tjetër po përdor funksionin e aktivizimit të lidhjes me valë.

Përshkrim i statusit të llambës së aktivizimit të lidhjes me valë

► Fig.43: 1. Llamba e aktivizimit të lidhjes me valë

Llamba e aktivizimit të lidhjes me valë tregon statusin e funksionit të aktivizimit të lidhjes me valë. Referojuni tabelës më poshtë për kuptimin e statusit të llambës.

Statusi	Llamba e aktivizimit të lidhjes me valë			Kohëzgjatja	Përshkrimi
	Ngjyra	 Ndezur	 Duke pulsuar		
Pushim	Blu	<input checked="" type="checkbox"/>		2 orë	Aktivizimi i lidhjes me valë i fshesës me korrent është i disponueshëm. Llamba do të fiket automatikisht nëse nuk kryhet asnjë veprim për 2 orë.
		<input type="checkbox"/>		Kur vegla është duke punuar.	Aktivizimi i lidhjes me valë i fshesës me korrent është i disponueshëm dhe vegla është duke punuar.
Regjistrimi i veglës	E gjelbër	<input checked="" type="checkbox"/>		20 sekonda	Gati për regjistrimin e veglës. Në pritje të regjistrimit nga fshesa me korrent.
		<input type="checkbox"/>		2 sekonda	Regjistrimi i veglës ka përfunduar. Llamba e aktivizimit të lidhjes me valë do të fillojë të pulsojë në blu.
Anulimi i regjistrimit të veglës	E kuqe	<input checked="" type="checkbox"/>		20 sekonda	Gati për anulimin e regjistrimit të veglës. Në pritje të anulimit nga fshesa me korrent.
		<input type="checkbox"/>		2 sekonda	Anulimi i regjistrimit të veglës ka përfunduar. Llamba e aktivizimit të lidhjes me valë do të fillojë të pulsojë në blu.
Tjetër	E kuqe	<input type="checkbox"/>		3 sekonda	Njësia me valë po furnizohet me energji dhe funksioni i aktivizimit të lidhjes me valë po fillon.
	Fikur	-		-	Aktivizimi i lidhjes me valë i fshesës me korrent ka ndaluar.

Anulimi i regjistrimit të veglës për fshesën me korrent

Kryeni procedurën e mëposhtme për anulimin e regjistrimit të veglës për fshesën me korrent.

1. Instaloni bateritë në fshesën me korrent dhe në vegël.
2. Vendoseni çelësin e pushimit në fshesën me korrent në "AUTO".

► Fig.44: 1. Çelësi i pushimit

3. Shtypni butonin e aktivizimit të lidhjes me valë në fshesën me korrent për 6 sekonda. Llamba e aktivizimit të lidhjes me valë pulson në të gjelbër dhe më pas bëhet e kuqe. Pas kësaj, në të njëjtën mënyrë shtypni butonin e aktivizimit të lidhjes me valë në vegël.

► Fig.45: 1. Butoni i aktivizimit të lidhjes me valë

2. Llamba e aktivizimit të lidhjes me valë

Nëse anulimi kryhet me sukses, llamba e aktivizimit të lidhjes me valë do të ndizet në të kuqe për 2 sekonda dhe më pas do të fillojë të pulsojë në blu.

SHËNIM: Llamba e aktivizimit të lidhjes me valë përfundon pulsimin në të kuqe pasi kalojnë 20 sekonda. Shtypni butonin e aktivizimit të lidhjes me valë në vegël ndërkohë që llamba e aktivizimit të lidhjes me valë në fshesë është duke pulsuar. Nëse llamba e aktivizimit të lidhjes me valë nuk pulson në të kuqe, shtypni shkurtimisht butonin e aktivizimit të lidhjes me valë dhe mbajeni sërish pa lëvizur.

Zgjidhja e problemeve për funksionin e aktivizimit të lidhjes me valë

Përpara se të kërkoni riparime bëni inspektimet tuaja. Nëse zbuloni ndonjë problem që nuk shpjegohet në manual, mos u mundtoni të çmontoni veglën. Por për riparime drejtojuni Qendrave të Autorizuara të Shërbimit Makita, duke përdorur gjithmonë pjesë zëvendësuese Makita.

Gjendja anormale	Shkaku i mundshëm (keqfunksionimi)	Zgjidhja
Llamba e aktivizimit të lidhjes me valë nuk ndizet/pulson.	Njësia me valë nuk është instaluar në vegël. Njësia me valë nuk është instaluar saktë në vegël.	Instaloni siç duhet njësinë me valë.
	Terminali i njësisë me valë dhe/ose foleja është ndotur.	Fshini lehtë pluhurin dhe papastërtitë në terminalin e njësisë me valë dhe pastroni folenë.
	Butoni i aktivizimit të lidhjes me valë në vegël nuk është shtypur.	Shtypni shkurtimisht butonin e aktivizimit të lidhjes me valë në vegël.
	Çelësi i pushimit në fshesën me korrent nuk është vendosur në "AUTO".	Vendoseni çelësin e pushimit në fshesën me korrent në "AUTO".
	Nuk ka furnizim me energji	Furnizoni me energji veglën dhe fshesën me korrent.
Regjistrimi i veglës / anulimi i regjistrimit të veglës nuk kryhet me sukses.	Njësia me valë nuk është instaluar në vegël. Njësia me valë nuk është instaluar saktë në vegël.	Instaloni siç duhet njësinë me valë.
	Terminali i njësisë me valë dhe/ose foleja është ndotur.	Fshini lehtë pluhurin dhe papastërtitë në terminalin e njësisë me valë dhe pastroni folenë.
	Çelësi i pushimit në fshesën me korrent nuk është vendosur në "AUTO".	Vendoseni çelësin e pushimit në fshesën me korrent në "AUTO".
	Nuk ka furnizim me energji	Furnizoni me energji veglën dhe fshesën me korrent.
	Përdorim i pasaktë	Shtypni shkurtimisht butonin e aktivizimit të lidhjes me valë dhe kryeni sërish procedurat e regjistrimit/ anulimit të regjistrimit të veglës.
	Vegla dhe fshesa me korrent janë larg njëra-tjetrës (jashtë rrezes së transmetimit).	Sillni veglën dhe fshesën me korrent më pranë njëra-tjetrës. Largësia maksimale e transmetimit është afërsisht 10 m, megjithatë mund të ndryshojë në varësi të rrethanave.
	Përpara kryerjes së regjistrimit/anulimit të regjistrimit të veglës; - këmbëza e çelësit në vegël është e tërhequr ose; - butoni i energjisë në fshesën me korrent është aktivizuar.	Shtypni shkurtimisht butonin e aktivizimit të lidhjes me valë dhe kryeni sërish procedurat e regjistrimit/ anulimit të regjistrimit të veglës.
	Procedurat e regjistrimit të veglës për veglën apo fshesën me korrent nuk kanë përfunduar.	Kryeni njëkohësisht procedurat e regjistrimit të veglës, si për veglën edhe për fshesën me korrent.
	Çrregullimet e radiofrekuencave nga pajisjet e tjera që gjenerojë radiovalë me intensitet të lartë.	Mbani veglën dhe fshesën me korrent larg nga pajisje të tilla si pajisje me "Wi-Fi" dhe furra me mikrovalë.
Fshesa me korrent nuk funksionon bashkë me mekanizmin e funksionimit të veglës.	Njësia me valë nuk është instaluar në vegël. Njësia me valë nuk është instaluar saktë në vegël.	Instaloni siç duhet njësinë me valë.
	Terminali i njësisë me valë dhe/ose foleja është ndotur.	Fshini lehtë pluhurin dhe papastërtitë në terminalin e njësisë me valë dhe pastroni folenë.
	Butoni i aktivizimit të lidhjes me valë në vegël nuk është shtypur.	Shtypni shkurtimisht butonin e aktivizimit të lidhjes me valë dhe sigurohuni që llamba e aktivizimit të lidhjes me valë po pulson në blu.
	Çelësi i pushimit në fshesën me korrent nuk është vendosur në "AUTO".	Vendoseni çelësin e pushimit në fshesën me korrent në "AUTO".
	Janë regjistruar mbi 10 vegla në fshesën me korrent.	Kryeni sërish regjistrimin e veglës. Nëse janë regjistruar mbi 10 vegla në fshesën me korrent, vegla që është regjistruar më herët do të fshihet automatikisht.
	Fshesa me korrent ka fshirë të gjitha regjistrimet e veglave.	Kryeni sërish regjistrimin e veglës.
	Nuk ka furnizim me energji	Furnizoni me energji veglën dhe fshesën me korrent.
	Vegla dhe fshesa me korrent janë larg njëra-tjetrës (jashtë rrezes së transmetimit).	Sillni veglën dhe fshesën me korrent më pranë njëra-tjetrës. Largësia maksimale e transmetimit është afërsisht 10 m, megjithatë mund të ndryshojë në varësi të rrethanave.
	Çrregullimet e radiofrekuencave nga pajisjet e tjera që gjenerojë radiovalë me intensitet të lartë.	Mbani veglën dhe fshesën me korrent larg nga pajisje të tilla si pajisje me "Wi-Fi" dhe furra me mikrovalë.
Fshesa me korrent punon me këmbëzën e çelësit të patërhequr.	Përdorues të tjerë po përdorin funksionin e aktivizimit të lidhjes me valë të fshesës me korrent me veglat e tyre.	Çaktivizoni butonin e aktivizimit të lidhjes me valë të veglave të tjera ose anuloni regjistrimin e veglave të tjera.

MIRËBAJTJA

▲KUJDES: Sigurohuni gjithmonë që vegla të jetë fikur dhe të jetë hequr nga bateria përpara se të kryeni inspektimin apo mirëmbajtjen.

▲KUJDES: Pastroni mbrojtësen e sipërme dhe të poshtme për t'u siguruar që nuk ka tallash të grumbulluar, i cili mund të pengojë funksionimin e sistemit të poshtëm mbrojtës. Një sistem mbrojtës i ndotur mund të kufizojë funksionimin e duhur, gjë e cila mund të shkaktojë lëndim të rëndë personal. Mënyra më efikase për ta arritur këtë pastrim është me ajër të ngjeshur. Nëse nga mbrojtëset del pluhur si pasojë e fryrjes së ajrit, sigurohuni që të përdorni mbrojtëset e duhura të syve dhe frymëmarrjes.

▲KUJDES: Pas çdo përdorimi, fshini pluhurin e sharrës nga vegla. Pluhuri i imët i sharrës mund të hyjë brenda në vegël dhe të shkaktojë keqfunksionim ose zjarr.

VINI RE: Mos përdorni kurrë benzinë, benzinë pastrimi, hollues, alkool dhe të ngjashme. Mund të shkaktoni çngjyrosje, deformime ose krisje.

Për të ruajtur SIGURINË dhe QËNDRUESHMËRINË, riparimet dhe çdo mirëmbajtje apo rregullim tjetër duhen kryer nga qendrat e autorizuar të shërbimit ose të shërbimit të fabrikës të Makita-s, duke përdorur gjithnjë pjesë këmbimi të Makita-s.

Rregullimi i saktësisë së prerjes 0° ose 45°

Ky rregullim është bërë në fabrikë. Por nëse ka shmangie, mund ta rregulloni duke ndjekur procedurën e mëposhtme.

1. Lironi vidat shtrënguese në pjesën e përparme dhe të pasme të veglës, në mënyrë që këndi i prerjes me kënd të mund të ndryshohet. Vendoseni bllokuesin në pozicionin e këndit të prerjes me kënd 0° - 45° nëse do të rregulloni saktësinë e prerjes 45°.

► **Fig.46:** 1. Vida e mbërthimit 2. Bllokuesi

2. Vendoseni bazën paralelisht ose 45° me fletën e sharrës rrethore duke përdorur një vizore trekëndore duke rrotulluar vidën rregulluese me çelës fiso hegzagonal. Ju mund të përdorni gjithashtu vizore katrore për të rregulluar këndin 0°.

► **Fig.47:** 1. Vizorja trekëndore

► **Fig.48:** 1. Rregullimi i vidës për kënd 0°
2. Rregullimi i vidës për kënd 45°

3. Shtrëngoni vidat shtrënguese dhe më pas bëni një prerje provë për të kontrolluar nëse është arritur këndi i dëshiruar.

Rregullimi i paralelizmit

▲KUJDES: Mbajeni paralelizmin të saktë. Ndryshe, fleta e sharrës së rumbullakët mund të ngecë te shina udhëzuese dhe shina udhëzuese e dëmtuar mund të shkaktojë lëndim.

Ky rregullim është bërë në fabrikë. Por nëse ka shmangie, mund ta rregulloni duke ndjekur procedurën e mëposhtme.

1. Vendoseni veglën në thellësinë maksimale të prerjes.
2. Sigurohuni që të gjitha levat dhe vidat të jenë shtrënguar.
3. Lironi vidat që tregohen në figurë.
4. Teksa hapni mbrojtësen e poshtme, lëvizni pjesën e pasme të bazës në mënyrë që largësia midis A dhe B të bëhet e barabartë.
► **Fig.49:** 1. Vida 2. Baza
5. Shtrëngoni vidat dhe bëni një prerje provë për të kontrolluar paralelizmin.

AKSESORË OPSIONALE

▲KUJDES: Këta aksesorë ose shtojca rekomandohen për përdorim me veglën Makita të përcaktuar në këtë manual. Përdorimi i aksesorëve apo shtojcave të tjera ndryshe nga këto mund të përbëjë rrezik lëndimi. Aksesorët ose shtojcat përdorini vetëm për qëllimin e tyre të përcaktuar.

Nëse keni nevojë për më shumë të dhëna në lidhje me aksesorët, pyesni qendrën vendore të shërbimit të Makita-s.

- Fleta e sharrës së rumbullakët
- Kufizues (vizore udhëzuese)
- Grep
- Shina udhëzuese
- Udhëzuesi për prerjet me kënd
- Fasheta shtrënguese
- Fleta
- Fleta prej gome
- Fleta e pozicionit
- Hundëza e pluhurit
- Çelësi hegzagonal
- Njësia me valë
- Bateri dhe ngarkues origjinal Makita

SHËNIM: Disa artikuj të listës mund të përfshihen në paketën e veglës si aksesorë standardë. Ato mund të ndryshojnë nga njëri shtet në tjetrin.

СПЕЦИФИКАЦИИ

Модел:		HS004G
Диаметър на диска		185 мм – 190 мм
Макс. дълбочина на рязане	при 0°	60,0 мм – 62,5 мм
	при скосяване 45°	43,0 мм – 44,5 мм
	при скосяване 48°	41,0 мм – 42,0 мм
Обороти на празен ход		6 000 мин ⁻¹
Номинално напрежение		Постоянно напрежение 36 V – 40 V макс.
Обща дължина	с BL4025	322 мм
	с BL4040	337 мм
Нето тегло		4,4 – 4,7 кг

- Поради нашата непрекъсната научно-развойна дейност посочените тук спецификации могат да бъдат променени без предизвестие.
- Спецификациите и акумулаторните батерии може да са различни в различните държави.
- Теглото може да се различава в зависимост от принадлежността(ите), включително акумулаторната батерия. Най-леката и най-тежката комбинация в съответствие с процедурата на ЕРТА 01/2014 са показани в таблицата.

Приложима акумулаторна батерия и зарядно устройство

Акумулаторна батерия	BL4025 / BL4040
Зарядно устройство	DC40RA

- Някои от акумулаторните батерии и зарядните устройства, посочени по-горе, може да не са налични в зависимост от региона на местоживеене.

▲ ПРЕДУПРЕЖДЕНИЕ: Използвайте само посочените по-горе акумулаторни батерии и зарядни устройства. Използването на други акумулаторни батерии и зарядни устройства може да причини нараняване и/или пожар.

Предназначение

Инструментът е предназначен за надлъжни и напречни срезове и за коси срезове под ъгъл в дърво, като се поддържа стабилен контакт с обработвания детайл. С подходящи и оригинални циркулярни дискове на Makita могат да се режат и други материали.

Шум

Обичайното ниво на шума с тегловен коефициент A, определено съгласно EN62841-2-5:

Ниво на звуково налягане (L_{pA}): 93 dB(A)

Ниво на звукова мощност (L_{WA}): 104 dB(A)

Коефициент на неопределеност (K): 3 dB(A)

ЗАБЕЛЕЖКА: Обявената(ите) стойност(и) на шумовите емисии е(са) измерена(и) в съответствие със стандартни методи за изпитване и може да се използва(т) за сравняване на инструменти.

ЗАБЕЛЕЖКА: Обявеното(ите) стойност(и) на шумови емисии може да се използва(т) също и за предварителна оценка на вредното въздействие.

▲ ПРЕДУПРЕЖДЕНИЕ: Използвайте предпазни средства за слуха.

▲ ПРЕДУПРЕЖДЕНИЕ: Нивото на шума при работа с електрическия инструмент може да се различава от обявената(ите) стойност(и) в зависимост от начина на използване на инструмента, по-специално какъв детайл се обработва.

▲ ПРЕДУПРЕЖДЕНИЕ: Задължително определете предпазни мерки за защита на оператора въз основа на оценка на риска в реални работни условия (като се вземат предвид всички етапи на работния цикъл, като например момента на изключване на инструмента, работата на празен ход, както и времето на задействане).

Вибрации

Общата стойност на вибрациите (сума от три осови вектора), определена съгласно EN62841-2-5:

Работен режим: рязане на дърво
Ниво на вибрациите ($a_{h,w}$): 2,5 м/с² или по-малко

Коефициент на неопределеност (K): 1,5 м/с²

Работен режим: рязане на метал

Ниво на вибрациите ($a_{h,m}$): 2,5 м/с² или по-малко

Коефициент на неопределеност (K): 1,5 м/с²

ЗАБЕЛЕЖКА: Обявената(ите) обща(и) стойност(и) на вибрациите е(са) измерена(и) в съответствие със стандартни методи за изпитване и може да се използва(т) за сравняване на инструменти.

ЗАБЕЛЕЖКА: Обявената(ите) обща(и) стойност(и) на вибрациите може да се използва(т) също и за предварителна оценка на вредното въздействие.

▲ ПРЕДУПРЕЖДЕНИЕ: Нивото на вибрациите при работа с електрическият инструмент може да се различава от обявената(ите) стойност(и) в зависимост от начина на използване на инструмента, по-специално какъв детайл се обработва.

▲ ПРЕДУПРЕЖДЕНИЕ: задължително определете предпазни мерки за защита на оператора въз основа на оценка на риска в реални работни условия (като се вземат предвид всички етапи на работния цикъл, като например момента на изключване на инструмента, работата на празен ход, както и времето на задействане).

ЕО декларация за съответствие

Само за европейските страни

ЕО декларацията за съответствие е включена като Анекс А към тази инструкция за употреба.

ПРЕДУПРЕЖДЕНИЯ ЗА БЕЗОПАСНОСТ

Общи предупреждения за безопасност при работа с електрически инструменти

▲ ПРЕДУПРЕЖДЕНИЕ: Прочетете всички предупреждения, инструкции, илюстрации и спецификации за безопасността, предоставени с този електрически инструмент. При неспазване на изброените по-долу инструкции има опасност от токов удар, пожар и/или тежко нараняване.

Запазете всички предупреждения и инструкции за справка в бъдеще.

Терминът "електрически инструмент" в предупрежденията се отнася за вашата инструмент (с кабел за включване в мрежата) или работещ на батерии (безжичен) електрически инструмент.

Предупреждения за безопасна работа с акумулаторен циркуляр

Процедури на рязане

- ▲ ОПАСНОСТ:** Дръжте ръцете си настрани от зоната на рязане и от диска. Дръжте другата си ръка върху помощната дръжка или върху корпуса на електромотора. Ако и двете ви ръце държат циркуляра, те не могат да бъдат срязани от диска.
- Не се пресягайте под обработвания детайл.** Предпазителят не може да ви защити от диска под детайла.
- Регулирайте дълбочината на рязане до дебелината на обработвания детайл.** Под детайла трябва да се вижда по-малко от един цял зъб на циркулярния диск.
- Никога не дръжте обработвания детайл с ръце или върху крака си по време на рязането. Фиксирайте обработвания детайл върху стабилна платформа.** Правилното укрепване на детайла е много важно за свеждане до минимум на риска от нараняване, задиране на диска или загуба на контрол.

► Фиг.1

- Дръжте електрическият инструмент за изолациите и нехлъзгави повърхности, когато има опасност режещият инструмент да допре скрити кабели.** При допир до проводник под напрежение токът може да премине през металните части на електрическият инструмент и да предизвика токов удар на работещия.
- При разрязване винаги използвайте направляваща планка или водач с прав ъгъл.** Това подобрява точността на среза и намалява вероятността от задиране на диска.
- Използвайте винаги дискове с подходящ размер и форма на монтажните отвори (ромбовидна или кръгла).** Дисковете, които не отговарят на монтажните елементи на циркуляра, ще се движат ексцентрично, което ще доведе до загуба на контрол.
- Никога не използвайте повредени или неподходящи шайби за дискове или болтове.** Шайбите за дискове и болта са специално конструирани за вашата циркуляр за постигане на оптимална производителност и за безопасна работа.

Причини за откати и предупреждения за тях

- откатът е внезапна реакция на зашипан, заседнал или разцентрован циркулярен диск, което кара неконтролируемия циркуляр да се вдига нагоре и извън обработвания детайл към оператора;
- когато дискът се зашипе или заседне плътно в затварящия се прорез, дискът се запъва и реакцията на електромотора изхвърля бързо инструмента обратно към оператора;
- ако дискът се изкриви или е разцентрован в отреза, зъбите от задния ръб на диска могат да се забият в горната повърхност на дървото, което да доведе до изскачане на диска от прореза и обратно му отскачане към оператора.

Откатът е следствие от неправилна употреба на циркуляра и/или неспазване на реда и условията за работа, а може да бъде избегнат при спазване на посочените по-долу предпазни мерки.

1. **Поддържайте здравия захват с две ръце върху циркуляра и позиционирайте ръцете си така, че да противодействат на силите на откат.** Разположете тялото си от едната от страните на диска, но не и в една линия с диска. Откатът може да принуди циркуляра да отскочи назад, но ако се вземат предпазни мерки силите на откат могат да бъдат контролирани от оператора.
2. **Когато дискът задере, или когато по някаква причина рязането се прекрати, освободете спусъка и задръжте циркуляра в покой в материала, докато дискът спре напълно. Никога не се опитвайте да извадите циркуляра от обработвания детайл или да го издърпвате назад, докато дискът все още се върти, защото това може да доведе до откат.** Огледайте мястото и вземете необходимите мерки, за да отстраните причината за задирането на диска.
3. **При повторното стартиране на циркуляра в обработвания детайл центрирайте диска в прореза така, че зъбите на циркулярния диск да не са зацелени в материала.** Ако циркулярният диск задира, той може да изскочи или да доведе до откат от обработвания детайл при рестартиране на циркуляра.
4. **Подпирайте големите панели, за да сведете до минимум опасността от прищипване или откат на диска.** Големите панели често се огъват под собствената си тежест. От двете страни под панела трябва да се сложат подпори, които да са близо до линията на среза и близо до ръба на панела.

► Фиг.2

► Фиг.3

5. **Не използвайте тъпи или повредени дискове.** Затъпените или неправилно монтирани дискове правят малък прорез, което води до много силно триене, до задиране на диска и до откат на циркуляра.
6. **Блокиращите лостчета за настройка на дълбочината и фаската трябва да са затегнати и надеждно фиксирани преди началото на среза.** Ако по време на рязане настройките се променят, това може да доведе задиране и откат.
7. **Когато режете в съществуващи стени и други затворени пространства, работете с повишено внимание.** Подаваният се диск може да среже обекти, които да предизвикат откат.
8. **ВИНАГИ дръжте инструмента здраво с двете си ръце. НИКОГА не поставяйте ръката си, крака или друга част от тялото под основата на инструмента или зад циркуляра, особено при напречно рязане.** Ако възникне откат, циркулярът лесно може да отскочи назад върху ръката ви, предизвиквайки сериозно нараняване.

► Фиг.4

9. **Никога не пресилвайте циркуляра. Натиснете циркуляра напред с такава скорост, че дискът да реже, без да се забавя.** Форсирането на циркуляра може да доведе до неравномерни срезове, до загуба на прецизност и до възможни откати.

Функция на предпазителя

1. **Преди всяка употреба проверявайте доброто затваряне на долния предпазител. Не работете с циркуляра, ако долният предпазител на циркуляра не се движи свободно и не се затваря веднага. Никога не затягайте и не завързвайте долния предпазител в отворено положение.** При случайно изпускане на циркуляра е възможно долният предпазител да се огъне. Вдигнете долния предпазител с прибиращата се дръжка и се убедете, че той се движи свободно, както и че не докосва диска, или някаква друга част при всички ъгли и дълбочини на рязане.
 2. **Проверете действието на пружината на долния предпазител. Ако предпазителят и пружината не работят правилно, преди употребата трябва да се обслужат.** Долният предпазител може да работи бавно, което да се дължи на повредени части, отлагания на смоли или на натрупване на отпадъци.
 3. **Долният предпазител може да се издърпва ръчно само при специални срезове като "срезове с връзване" и "съставни срезове".** Вдигнете долния предпазител с прибиращата се дръжка и веднага след проникване на диска в материал, долният предпазител трябва да се освободи. При всички други срезове долният предпазител трябва да работи автоматично.
 4. **Преди да поставите циркуляра върху плот или под, винаги внимавайте дали долният предпазител покрива диска.** Незащитеният, въртящ се по инерция диск, ще накара циркуляра да отскача назад, режейки всичко, което му попадне на пътя. Отчитайте времето, което е необходимо за спиране на диска, след освобождаване на ключа.
 5. **За да проверите долния предпазител, отворете го на ръка, след което го пуснете и проследете затварянето му.** Проверете също и дали прибиращата се дръжка не докосва корпуса на инструмента. Оставеният оголен диск е МНОГО ОПАСЕН и може да причини сериозни наранявания.
- #### Допълнителни предупреждения за безопасност
1. **Работете с повишено внимание при рязане на влажен дървен материал, на обработен под налягане дървен материал или при материали с чепове.** За да предотвратите прегряването на зъбите на диска поддържайте плавното напредване на инструмента, без забавяне на скоростта му на подаване.
 2. **Не се опитвайте да премахвате отрязан материал при работещ диск.** Изчакайте спирането на диска, преди да хванете отрязания материал. Режещите инструменти продължават да се въртят и след като са били изключени.

3. Избягвайте рязането на гвоздеи. Проверете за гвоздеи и отстранете всички гвоздеи от дървен материал, преди да започнете работа.
4. Поставете по-широката част на основата на циркуляра върху тази част на обработвания детайл, която е солидно укрепена, а не върху тази част, която ще падне след завършване на среза. Ако обработваният детайл е къс или малък, го затегнете със скоба. **НЕ СЕ ОПИТВАЙТЕ ДА ДЪРЖИТЕ КЪСИТЕ ДЕТАЙЛИ С РЪКА!**

► Фиг.5

5. Преди да оставите инструмента, след завършване на рязане, се убедете, че долният предпазител се е затворил и дискът се намира в пълен покой.
6. Никога не се опитвайте да режете с хванат в менгеме и обърнат надолу циркуляр. Това е изключително опасно и може да доведе до сериозни произшествия.

► Фиг.6

7. Някои материали съдържат химикали, които е възможно да са токсични. Вземете предпазни мерки, за да предотвратите вдишването на прах и контакта с кожата. Следвайте информацията на доставчика за безопасната работа с материала.
8. Не спирайте дисковете с прилагане на страничен натиск върху циркулярния диск.
9. Не използвайте никакви абразивни дискове.
10. Използвайте само циркулярен диск с диаметър, който е маркиран върху инструмента или е специфициран в наръчника. Използване на диск с неправилни размери може да повлияе на правилното предпазване на диска или действието на предпазителя, което може да причини сериозно нараняване.
11. Поддържайте дисковете остри и чисти. Смолите и дървесните катрани, които са втвърдени върху дисковете, забавят циркуляра и увеличават вероятността от получаване на откат. Поддържайте дисковете чисти, като първо ги сваляйте от инструмента, а след това ги почиствайте със средства за премахане на смоли и катрани, с гореща вода или с керосин. Никога не използвайте бензин.
12. При употребата на инструмента носете празоопащна маска и предпазни средства за защита на слуха.
13. Винаги използвайте циркулярния диск, който е предназначен за рязане на материала, който ще режете.
14. Използвайте само циркулярните дискове, които са с обозначение за обороти, равно или превишаващо оборотите, маркирани върху инструмента.
15. (Само за европейските страни) Винаги използвайте диска, който съответства на EN847-1.
16. Поставете инструмента и частите върху плоска и стабилна повърхност. В противен случай инструментът или частите може да паднат и това да доведе до нараняване.

ЗАПАЗЕТЕ НАСТОЯЩИТЕ ИНСТРУКЦИИ.

▲ ПРЕДУПРЕЖДЕНИЕ: НЕ позволявайте комфорта от познаването на продукта (придобит при дългата му употреба) да замени стриктното спазване на правилата за безопасност за въпросния продукт. **НЕПРАВИЛНАТА УПОТРЕБА** и неспазването на правилата за безопасност, посочени в настоящото ръководство за експлоатация, могат да доведат до тежки наранявания.

Важни инструкции за безопасност за акумулаторната батерия

1. Преди да използвате акумулаторната батерия, прочетете всички инструкции и предупредителни маркировки на (1) зарядното устройство за батериите, (2) за батериите и (3) за използващия батериите продукт.
2. Не разгласявайте и не променяйте акумулаторната батерия. Това може да предизвика пожар, прегряване или взрив.
3. Ако мощността на машината намалее много, веднага спрете да работите. Това може да доведе до риск от прегряване, до възможни изгаряния и даже до експлозии.
4. Ако в очите ви попадне електролит, изплакнете ги с чиста вода и веднага потърсете лекарска помощ. Това може да доведе до загуба на зрението ви.
5. Не давайте на късо акумулаторните батерии:
 - (1) Не докосвайте клемите с проводими материали.
 - (2) Избягвайте съхраняването на акумулаторните батерии в контейнер с други метални предмети като пирони, монети и други подобни.
 - (3) Не излагайте акумулаторните батерии на вода или дъжд.
 Закъсяването на акумулаторна батерия може да доведе до протичане на много силен ток, до прегряване, до възможни изгаряния и даже до разпадане на батерията.
6. Не съхранявайте инструмента и акумулаторните батерии на места, където температурата може да достигне или надмине 50 °C (122 °F).
7. Не изгаряйте акумулаторните батерии даже и ако те са сериозно повредени или напълно износени. Акумулаторната батерия може да експлодира в огън.
8. Не забивайте пирони, не режете, не смачкавайте, не хвърляйте, не изпускате и не удряйте в твърд предмет акумулаторната батерия. Това поведение може да предизвика пожар, прегряване или взрив.
9. Не използвайте повредени акумулаторни батерии.
10. Съдържащите се литиево-йонни акумулаторни батерии са обект на изискванията на законодателството за опасни стоки.

При търговски превози, напр. от трети страни, следитори, трябва да се спазват специални изисквания за опаковане и етикетирание.

- За подготовка на артикула, който трябва да бъде изпратен, е необходима консултация с експерт по опасните материали. Моля, спазвайте и евентуално по-подробните национални разпоредби. Залепете с лента или покрийте откритите контакти и опаковатите акумулаторната батерия по такъв начин, че да не може да се премества в опаковката.
11. При изхвърляне на акумулаторната батерия я извадете от инструмента и я изхвърлете на подходящо място. Спазвайте местните разпоредби за изхвърляне на акумулаторни батерии.
 12. Използвайте батериите само с продуктите, определени от Makita. Поставянето на батериите към неodobрени продукти може да предизвика пожар, прегряване, взрив или изтичане на електролит.
 13. Ако инструментът няма да се използва продължително време, батерията трябва да се извади от него.
 14. По време на и след употреба акумулаторната батерия може да поеме топлина, която може да причини изгаряния или нискотемпературни изгаряния. Внимавайте, когато боравите с горещите акумулаторни батерии.
 15. Не докосвайте клемата на инструмента веднага след употреба, тъй като е възможно да е достатъчно нагрята, за да предизвика изгаряния.
 16. Не позволявайте стружки, прах или почва да полепват по клемите, отворите и каналите на акумулаторната батерия. Това може да доведе до лоши работни характеристики или повреда на инструмента или акумулаторната батерия.
 17. Освен ако инструментът поддържа използването в близост до високоволтови електропроводи, не използвайте акумулаторната батерия близо до високоволтови електропроводи. Това може да доведе до неизправност или повреда на инструмента или акумулаторната батерия.

ЗАПАЗЕТЕ НАСТОЯЩИТЕ ИНСТРУКЦИИ.

▲ВНИМАНИЕ: Използвайте само оригинални акумулаторни батерии на Makita. При използване на различни от акумулаторните батерии на Makita или стари акумулаторни батерии може да се получи пръскане на акумулаторната батерия, което да доведе до пожар, нараняване или повреда. Това също ще анулира гаранцията на Makita за инструмента и зарядното устройство Makita.

Съвети за поддържане на максимално дълъг живот на акумулаторните батерии

1. Зареджайте акумулаторните батерии, преди да са се разреждали напълно. Когато забележите, че мощността на инструмента намалява, винаги спирайте работата с инструмента и заредете акумулаторната батерия.

2. Никога не презареждайте напълно заредена акумулаторна батерия. Презарядът скъсява експлоатационния живот на батерията.
3. Зареджайте акумулаторната батерия при стайна температура от 10 °C – 40 °C (50 °F – 104 °F). Оставете заргетите акумулаторни батерии да се охладят, преди да ги заредите.
4. Когато не използвате акумулаторната батерия, извадете я от инструмента или зарядното устройство.
5. Заредете акумулаторната батерия, ако не сте го използвали дълъг период от време (повече от шест месеца).

Важни инструкции за безопасност за безжичното устройство

1. Не разглобявайте и не променяйте безжичното устройство.
2. Пазете безжичното устройство далеч от децата си. При случайно поглъщане незабавно потърсете медицинска помощ.
3. Използвайте безжичното устройство само с инструменти на Makita.
4. Не излагайте безжичното устройство на действието на дъжд или влага.
5. Не използвайте безжичното устройство на места, където температурата превишава 50°C.
6. Не допускайте работа на безжичното устройство на места, където в близост има медицински апарати, като например сърдечни пейсмейкъри.
7. Не допускайте работа на безжичното устройство на места, където в близост има автоматични устройства. При работа със същото може да се получи неизправност на или грешка в автоматичните устройства.
8. Не работете с безжичното устройство на места с висока температура или на места, където може да се генерира статично електричество или електрически шум.
9. Безжичното устройство може да генерира електромагнитни полета (EMF), но те не са вредни за потребителя.
10. Безжичното устройство е точен уред. Внимавайте да не изпуснете или ударите безжичното устройство.
11. Не докосвайте извода на безжичното устройство с голи ръце или метални материали.
12. Винаги изваждайте батерията от продукта, когато монтирате безжичното устройство.
13. При отварянето на капака на гнездото избягвайте места, където може да влязат прах и вода в гнездото. Винаги поддържайте чист входа на гнездото.
14. Винаги вкарвайте безжичното устройство в правилната посока.
15. Не натискайте прекалено силно бутон за безжично активиране на безжичното устройство и/или не го натискайте с предмет с остър ръб.

16. Винаги затваряйте капака на гнездото при работа.
17. Не махайте безжичното устройство от гнездото, когато към инструмента се подава хранване. Ако направите това, може да се получи неизправност на безжичното устройство.
18. Не махайте стикера от безжичното устройство.
19. Не поставяйте стикери върху безжичното устройство.
20. Не оставяйте безжичното устройство на място, където може да се генерира статично електричество или електрически шум.
21. Не оставяйте безжичното устройство на място с прах или прахообразни продукти или на място, където може да се генерира предизвикващ корозия газ.
22. Не оставяйте безжичното устройство на място с прах или прахообразни продукти или на място, където може да се генерира предизвикващ корозия газ.
23. Внезапната промяна на температурата може да доведе до запотвяване на безжичното устройство. Не използвайте безжичното устройство, докато кондензираната вода не изсъхне.
24. Почиствайте безжичното устройство внимателно със суха и мека кърпа. Не използвайте бензол, разредител, проводяща грес или други подобни.
25. Когато съхранявате безжичното устройство, го дръжте в кутията, в която е доставено, или в контейнер без статично електричество.
26. Не вкарвайте в гнездото никакви устройства, различни от безжичното устройство на Makita.
27. Не използвайте инструмента с повреден капак на гнездото. Проникнали в гнездото вода, прах и замърсявания могат да предизвикат неизправност.
28. Не дърпайте и/или усуквайте капака на гнездото повече от необходимото. Върнете на мястото му капака, ако същият се откачи от инструмента.
29. Сменете капака на гнездото, ако същият бъде загубен или повреден.

ЗАПАЗЕТЕ НАСТОЯЩИТЕ ИНСТРУКЦИИ.

ОПИСАНИЕ НА ФУНКЦИИТЕ

▲ВНИМАНИЕ: Винаги проверявайте дали инструментът е изключен и касетата с акумулаторната батерия е извадена, преди да регулирате или проверявате дадена функция на инструмента.

Поставяне и изваждане на акумулаторната батерия

▲ВНИМАНИЕ: Винаги изключвайте инструмента преди поставяне или изваждане на акумулаторната батерия.

▲ВНИМАНИЕ: Когато инсталирате или изваждате акумулаторната батерия, дръжте здраво инструмента и акумулаторната батерия. Ако не държите здраво инструмента и акумулаторната батерия, те могат да се изплъзнат от ръцете ви и да доведат до повреждане на инструмента и акумулаторната батерия или нараняване.

► Фиг.7: 1. Червен индикатор 2. Бутон
3. Акумулаторна батерия

За да извадите акумулаторната батерия, я плъзнете извън инструмента, плъзгайки същевременно бутона в предната част на акумулаторната батерия.

За да поставите акумулаторната батерия, изравнете езичето на акумулаторната батерия с жлеба в корпуса и го плъзнете на мястото му. Въмъкнете го докрай, докато ключалката го задържи на място с малко прищракане. В случай че виждате червения индикатор в горната част на бутона, това означава, че тя не е фиксирана напълно на мястото си.

▲ВНИМАНИЕ: Винаги въмъквайте акумулаторната батерия докрай, така че червеният индикатор да се скрие. В противен случай тя може неволно да изпадне от инструмента, което може да нарани вас или някого около вас.

▲ВНИМАНИЕ: Не инсталирайте акумулаторната батерия със сила. Ако батерията не се движи свободно, тя не е била поставена правилно.

Система за защита на инструмента /акумулаторната батерия

Инструментът е съоръжен със система за защита на инструмента/акумулаторната батерия. Тази система автоматично прекъсва хранването към електромотора, за да осигури по-дълъг живот на инструмента и акумулаторната батерия. Инструментът ще спре автоматично по време на работа, ако инструментът или батерията са поставени в едно от следните условия. В някои случаи, индикаторите ще светнат.

Защита срещу претоварване

Когато инструментът се използва по начин, който води до необичайно висока консумация на ток, инструментът спира автоматично. В този случай изключете инструмента и преустановете приложението, което претоварва инструмента. След това включете инструмента за повторно стартиране.

Защита срещу прегряване

Ако инструментът или акумулаторната батерия прегреят, той автоматично спира да работи и лампата започва да мига. В този случай оставете инструмента и акумулаторната батерия да изстинат, преди да включите инструмента отново.

Защита срещу прекомерно разреждане

Когато батериите са разреждени, инструментът автоматично спира. Ако инструментът не работи дори при задействане на ключовете му, извадете батериите от инструмента и ги заредете.

Индикация на оставащия капацитет на акумулаторната батерия

Натиснете бутона за проверка на акумулаторната батерия за показване на оставащия заряд на батерията. Светлинните индикатори ще светнат за няколко секунди.

► **Фиг.8:** 1. Светлинни индикатори 2. Бутон за проверка

Светлинни индикатори			Оставащ заряд на батерията
Свети	Изкл.	Мига	
			75% до 100%
			50% до 75%
			25% до 50%
			0% до 25%
			Заредете батерията.
			Батерията може да не работи правилно.

ЗАБЕЛЕЖКА: В зависимост от условията на употреба и околната температура е възможно показанията леко да се различават от действителния капацитет.

Включване

▲ ПРЕДУПРЕЖДЕНИЕ: Преди да поставите батерията в инструмента, винаги проверявайте дали пусковият прекъсвач работи нормално и се връща в положение "OFF" (ИЗКЛ.) при отпускането му.

▲ ПРЕДУПРЕЖДЕНИЕ: НИКОГА не елиминирайте деблокиращия бутон, като го завържете в натиснато положение с лента или някакъв друг материал. Прекъсвач с елиминиран деблокиращ бутон може да доведе до неволно задействане на инструмента и сериозно нараняване.

▲ ПРЕДУПРЕЖДЕНИЕ: НИКОГА не използвайте инструмента, ако не включва само когато издърпате пусковия прекъсвач, без да сте натиснали бутона за деблокиране. Неремонтиран прекъсвач може да доведе до неволно задействане на инструмента и сериозно нараняване. Върнете инструмента в сервизен център на Makita за ремонт ПРЕДИ по-нататъшна употреба.

За предотвратяване случайното натискане на пусковия прекъсвач е осигурен бутон за деблокиране. За да включите инструмента, натиснете деблокиращия бутон и после натиснете пусковия прекъсвач. За спиране отпуснете пусковия прекъсвач.

► **Фиг.9:** 1. Пусков прекъсвач 2. Блокиращ бутон

БЕЛЕЖКА: Не издърпвайте пусковия прекъсвач силно, без да сте натиснали бутона за деблокиране. Това може да доведе до счупване на прекъсвача.

▲ ВНИМАНИЕ: Инструментът започва да спира въртенето на циркулярния диск веднага след като освободите пусковия прекъсвач. Дръжте здраво инструмента, за да сте готови за реакцията на спиралката при освобождаване на пусковия прекъсвач. Внезапната реакция може да доведе до изпускане на инструмента и до нараняване.

Функция за автоматична смяна на скоростта

Този инструмент има „режим на високи обороти“ и „режим на висок въртящ момент“. Инструментът променя автоматично режима на работа в зависимост от натоварването при работа. Когато натоварването при работа е малко, инструментът ще работи в „режим с висока скорост“ за по-бързо рязане. Когато натоварването при работа е голямо, инструментът ще работи в „режим с висок въртящ момент“ за рязане с по-голяма сила.

► **Фиг.10:** 1. Индикатор за режим

Индикаторът за режим светва в зелено, когато инструментът работи в „режим с висок въртящ момент“.

Ако инструментът работи с прекомерно натоварване, индикаторът за режим ще мига в зелено. Индикаторът за режим спира да мига и светва за постоянно или изгасва, ако намалите натоварването на инструмента.

Състояние на индикатора за режим			Режим на работа
● Вкл.	○ Изкл.	● Мига	
	○		Режим с висока скорост
	●		Режим с висок въртящ момент
		●	Предупреждение за претоварване

Регулиране на дълбочината на рязане

⚠ ВНИМАНИЕ: След като регулирате дълбочината на рязане, винаги затягайте здраво лоста.

Разхлабете лоста на дълбочинния ограничител и преместете основата нагоре или надолу. Когато зададете желаната дълбочина на рязане, фиксирайте основата, като затегнете лоста.

За по-чисто и безопасно рязане регулирайте дълбочината така, че под детайла за рязане да не се показва повече от един зъб. Рязането на подходяща дълбочина намалява възможностите за опасни ОТСКАЧАНИЯ, които могат да предизвикат наранявания.

► Фиг.11: 1. Лост

Рязане под наклон

⚠ ВНИМАНИЕ: След регулиране на ъгъла на наклон винаги затягайте здраво притискащи винтове.

Разхлабете притискащите винтове. Задайте желания ъгъл, като наклоните инструмента, колкото е необходимо, и после здраво затегнете притискащите винтове.

► Фиг.12: 1. Притискащ винт

Използвайте стопера, когато извършвате прецизно рязане под ъгъл 45°. Завъртете напълно стопера, както е показано на илюстрацията, в зависимост от това дали извършвате рязане под наклон 0° – 45° или рязане под наклон 0° – 48°.

► Фиг.13: 1. Стопер

Насочване

За извършване на прави срезове, изравнете положението за 0° на предната част на основата с линията на рязане. За извършване на рязане под ъгъл 45°, изравнете положението за 45°.

► Фиг.14: 1. Линия на рязане (позиция 0°) 2. Линия на рязане (позиция 45°)

Включване на лампата

⚠ ВНИМАНИЕ: Не гледайте директно в светлинния източник.

За да включите лампата, без да стартирате инструмента, задействайте пусковия прекъсвач, без да натискате бутона за деблокиране.

За да включите лампата, когато инструментът е стартиран, натиснете и задръжте бутона за деблокиране и задействайте пусковия прекъсвач.

Лампата се изключва 10 секунди след освобождаване на пусковия прекъсвач.

► Фиг.15: 1. Лампа

ЗАБЕЛЕЖКА: Използвайте суха кърпа, за да изчистите поленалата по лупата на лампата мръсотия. Внимавайте да не надраскате лупата на лампата, тъй като това ще влоши осветяването.

ЗАБЕЛЕЖКА: Когато инструментът прегрее, лампата започва да мига за една минута. В този случай оставете инструмента да изстине, преди да работите с него.

Кука

Допълнителни аксесоари

⚠ ВНИМАНИЕ: Винаги изваждайте акумулаторната батерия, когато окачвате инструмента с куката.

⚠ ВНИМАНИЕ: Никога не окачвайте инструмента на високо или на потенциално нестабилни места, на повърхностите например. В противен случай инструментът може да се разбалансира и да падне.

⚠ ВНИМАНИЕ: Не дърпайте инструмента надолу, когато е окачен.

Куката е удобна за временно окачване на инструмента.

► Фиг.16

Закрепете куката посредством винтовете, както е показано на илюстрацията.

► Фиг.17: 1. Кука 2. Винт

За да използвате куката, просто я завъртете, докато щракне в отворена позиция.

Когато не се използва, винаги завъртайте куката, докато щракне в затворена позиция.

► Фиг.18: 1. Отворена позиция 2. Затворена позиция

Електрическа спирачка

Този инструмент е оборудван с електрическа спирачка. Ако инструментът неколкократно не успява да спре бързо циркулярния диск след освобождаване на лоста на прекъсвача, занесете инструмента за извършване на техническо обслужване в сервизен център на Makita.

⚠ ВНИМАНИЕ: Спирачната система на диска не е заместител на предпазителя му. НИКОГА НЕ ИЗПОЛЗВАЙТЕ ИНСТРУМЕНТА, АКО ПРЕДПАЗИТЕЛЯ НА ДИСКА НЕ ФУНКЦИОНИРА. МОЖЕ ДА СЕ ПОЛУЧИ СЕРИОЗНО НАРАНЯВАНЕ.

Електронна функция

С инструментите, снабдени с електронна функция, се работи лесно благодарение на следната(ите) характеристика(и).

Функция за плавно пускане

Плавно пускане поради подтиснат начален тласък.

СГЛОБЯВАНЕ

⚠ ВНИМАНИЕ: Преди да извършите някакви дейности по инструментa, задължително проверете дали той е изключен и акумулаторната батерия е извадена.

Съхранение на шестостенния ключ

За да не изгубите шестостенния ключ, когато не го използвате, го поставете на мястото, показано на фигурата.

► Фиг.19: 1. Шестостенен ключ

Демонтиране и монтиране на циркулярен диск

⚠ ВНИМАНИЕ: Уверете се, че циркулярния диск е поставен със зъби насочени нагоре в предната част на инструментa.

⚠ ВНИМАНИЕ: Използвайте единствено ключ Makita за монтиране и демонтиране на циркулярния диск.

За да отстраните циркулярния диск, натиснете палеца за блокиране на вала докрай, така че да застопорите циркулярния диск, и разхлабете болта с шестостенна глава с помощта на шестограмен ключ. След това свалете болта с шестостенна глава, външния фланец, циркулярния диск и пръстена (в зависимост от държавата).

► Фиг.20: 1. Палец за блокиране на вала
2. Шестограмен ключ 3. Разхлабване
4. Затягане

За инструмент без пръстен

► Фиг.21: 1. Шестостенен болт 2. Външен фланец
3. Циркулярен диск 4. Стрелка върху циркулярния диск 5. Вътрешен фланец
6. Стрелка върху инструментa

За инструмент с пръстен

► Фиг.22: 1. Шестостенен болт 2. Външен фланец 3. Циркулярен диск 4. Стрелка върху циркулярния диск 5. Пръстен 6. Вътрешен фланец 7. Стрелка върху инструментa

За да монтирате циркулярния диск, изпълнете процедурата за сваляне в обратен ред.

Подравнете посоката на стрелката на диска със стрелката на инструментa.

За инструмент с вътрешен фланец за циркулярен диск с диаметър на отворието различен от 15,88 мм

От една страна на вътрешния фланец има издатина, съответстваща на определен диаметър, а от другата страна издатина, съответстваща на друг диаметър. Изберете подходяща страна, на която издатината пасва на отвора на циркулярния диск напълно. Поставете вътрешния фланец върху монтажния вал, така че страната със съответстващата издатина на вътрешния фланец, да е обърната навън, след което поставете циркулярния диск и външния фланец.

► Фиг.23: 1. Монтажен вал 2. Вътрешен фланец
3. Циркулярен диск 4. Външен фланец
5. Шестостенен болт

⚠ ПРЕДУПРЕЖДЕНИЕ: ЗАТЕГНЕТЕ ЗДРАВО ШЕСТОСТЕННИЯ БОЛТ ПО ПОСОКА НА ЧАСОВНИКОВАТА СТРЕЛКА. Внимавайте да не затегнете прекалено болта. Плъзгането на ръката ви от шестостенния ключ може да причини телесно нараняване.

⚠ ПРЕДУПРЕЖДЕНИЕ: Уверете се, че издатината "а" на вътрешния фланец, сочеща навън съвпада на отворието "а" на циркулярния диск идеално. Монтирането на диска на неправилната страна може да предизвика опасни вибрации.

За инструмент с вътрешен фланец за циркулярен диск с отвор с диаметър 15,88 мм (зависи от страната)

Монтирайте вътрешния фланец със скосената част, насочена навън, върху монтажния вал, след което поставете циркулярния диск (ако е необходимо – с монтиран пръстен), външния фланец и шестостенния болт.

За инструмент без пръстен

► Фиг.24: 1. Монтажен вал 2. Вътрешен фланец
3. Циркулярен диск 4. Външен фланец
5. Шестостенен болт

За инструмент с пръстен

► Фиг.25: 1. Монтажен вал 2. Вътрешен фланец
3. Циркулярен диск 4. Външен фланец
5. Шестостенен болт 6. Пръстен

⚠ ПРЕДУПРЕЖДЕНИЕ: ЗАТЕГНЕТЕ ЗДРАВО ШЕСТОСТЕННИЯ БОЛТ ПО ПОСОКА НА ЧАСОВНИКОВАТА СТРЕЛКА. Внимавайте да не затегнете прекалено болта. Плъзгането на ръката ви от шестостенния ключ може да причини телесно нараняване.

⚠ ПРЕДУПРЕЖДЕНИЕ: Ако за пръстена е необходимо да монтирате диска върху вала, винаги проверявайте дали е поставен правилния пръстен за централния отвор за диска, който ще ползвате, между вътрешния и външния фланец. Ако се използва неправилен пръстен за централния отвор, може да се стигне до неправилно инсталиране на диска, което да предизвика движение на диска и силни вибрации, водещи до загуба на контрол по време на работа и сериозно нараняване.

Почистване на предпазителя за диск

Когато сменят циркулярния диск, непременно почистете горния и долния предпазител за диска от насъбралите се стърготини, както е описано в раздела за поддръжка. Това не отменя необходимостта преди всяко използване да се провери долният предпазител.

Свързване с прахосмукачка

Когато искате на режете чисто, свържете към вашия инструмент прахосмукачка Makita. Свържете маркуча на прахосмукачката към крайника за събиране на праха, както е показано на фигурата.

► **Фиг.26:** 1. Накрайник за събиране на праха
2. Винт

► **Фиг.27:** 1. Маркуч 2. Прахосмукачка

Експлоатация

Този инструмент е предназначен за рязане на продукти от дърво. С подходящи оригинални циркулярни дискове на Makita могат да се режат също така и следните материали:

- Продукти от алуминий

Вижте нашия уеб сайт или се свържете с Вашия местен представител на Makita за подходящите циркулярни дискове, които да използвате за материала, който трябва да се среже.

Проверка на работата на предпазителя

Настройте ъгъла на наклон на 0° и след това приберете ръчно долния предпазител докрай и го освободете. Долният предпазител функционира правилно, ако:

- се прибира над основата без никакви затруднения и
- се връща автоматично и осъществява контакт със стопера.

► **Фиг.28:** 1. Горен предпазител 2. Долен предпазител 3. Основа 4. Стопер 5. Отваряне 6. Затваряне

Ако долният предпазител не функционира правилно, проверете дали се натрупват стърготини по вътрешната страна на горния и долния предпазител. Ако долният предпазител не функционира правилно дори след отстраняване на стърготините, обърнете се към сервизен център на Makita за сервизно обслужване на инструмента.

Рязане

▲ВНИМАНИЕ: При рязане носете прахозащитна маска.

▲ВНИМАНИЕ: Задължително движете инструмента бавно напред по права линия. Насилването или извъртането на инструмента ще доведе до прегряване на двигателя и опасни отскочания, които могат да предизвикат сериозни наранявания.

ЗАБЕЛЕЖКА: При ниска температура на акумулаторната батерия е възможно инструментът да не може да достигне пълния си работен капацитет. В такива случаи можете да използвате известно време инструмента за рязане с по-малко натоварване, докато акумулаторната батерия се затопли до температурата в помещението. След това инструментът ще може да достигне пълния си работен капацитет.

► Фиг.29

Дръжте инструмента здраво. Инструментът е снабден с предна ръкохватка и задна дръжка. Използвайте и двете, за да държите здраво инструмента. Ако и двете ръце държат циркуляра, те не могат да бъдат отрязани от циркулярния диск. Допреете основата върху обработвания детайл за рязане, без циркулярният диск да се допира до него. После включете инструмента и изчакайте циркулярният диск да достигне пълни обороти. Сега само движете инструмента напред по повърхността на обработвания детайл, като го държите изправен и го движете бавно, докато рязането приключи. За чисти разрези спазвайте правата линия на рязане и движете с постоянна скорост. Ако разрезът не съпада с предварително набелязаната линия, не се опитвайте да завиеите или насилите инструмента обратно към линията за разрез. Ако го направите, може да огънете циркулярния диск, което може да доведе до опасен откат и евентуално сериозно нараняване. Отпуснете прекъсвача, изчакайте циркулярният диск да спре и изгледете инструмента. Подравнете инструмента по нова линия и започнете отново рязането. Опитайте се да не заставате в положение, което ви излага на излитащите от циркуляра стърготини и дървесни частици. Използвайте предпазни очила, за да се предпазите от нараняване.

Паралелен ограничител (водач)

▲ВНИМАНИЕ: Преди използване се уверете, че направляващата планка е здраво монтирана в правилното положение. Неподходящата приставка може да предизвика опасен откат.

► **Фиг.30:** 1. Паралелен ограничител (водач)
2. Притискащ винт

Практичният паралелен ограничител позволява извършване на изключително прецизни прави разрези. Плъзнете успоредния водач по страната на детайла за рязане и го закрепете в това положение с притягащия винт в предната част на основата. Той дава възможност и за повтаряне на среза със същата ширина.

Направляваща релса

Допълнителни аксесоари

Поставете инструмента върху задния край на направляващата релса. Завъртете два регулиращи винта върху основата на инструмента така, че инструментът да се плъзга гладко без тракане. Дръжте здраво предната ръкохватка и задната дръжка на инструмента. Включете инструмента и с един ход отрежете защитната лента против нацепване по цялата дължина. Сега ръбът на защитната лента против нацепване съответства на режещия ръб.

► **Фиг.31:** 1. Регулиращи винтове

При рязане под ъгъл с направляваща релса използвайте плъзгача, за да предотвратите преобръщането на инструмента. Преместете плъзгача в основата на инструмента по посоката на стрелката така, че той да захване канала на направляващата релса.

► **Фиг.32:** 1. Плъзгач

Закрепване на ремък (колан)

⚠Предупреждения за безопасност, специфични за работа на височина

Прочетете всички предупреждения за безопасност и инструкции. Неспазването на предупрежденията и инструкциите може да доведе до тежко нараняване.

1. Винаги инструментът трябва да е вързан, когато се работи „на височина“. Максималната дължина на ремъка е 2 м (6,5 фута). Максималната допустима височина на падаване за ремък (колан) не трябва да превишава 2 м (6,5 фута).
2. Използвайте само с ремъци, подходящи за този тип инструмент и изчислени за поне 7,0 кг (15,4 паунда).
3. Не прикрепвайте ремъка на инструмента към нищо по тялото си или към движещи се компоненти. Прикрепете ремъка на инструмента към здрава конструкция, която може да издържи силата на падащ инструмент.
4. Преди употреба се уверете, че ремъкът е закрепен правилно във всеки край.
5. Преди всяка употреба проверявайте инструмента и ремъка (включително тъканта и шевовете) за повреди и правилно функциониране. Не използвайте при повреда или при неправилно функциониране.
6. Не увивайте ремъците около остри или грапави ръбове и не допускате да влизат в контакт с тях.
7. Закрепете другия край на ремъка извън работната зона така, че при евентуално падане инструментът да се задържи здраво.
8. Прикрепете ремъка така, че ако инструментът падне, да се отдалечи от оператора. Изпадналият инструмент ще се люлее на ремъка, което може да причини наранявания или загуба на равновесие.
9. Не използвайте в близост до движещи се части или работещи машини. В противен случай може да възникне опасност от смачкване или заплитане.
10. Не носете инструмента, като го държите за приставката или ремъка.
11. Прехвърляйте инструмента от едната си ръка в другата само когато сте правилно балансирани.
12. Не прикрепвайте ремъците към инструмента по начин, който възпрепятства надеждната работа на предпазители, превключватели/прекъсвачи или блокировки.
13. Избягвайте заплитане в ремъка.
14. Дръжте ремъка далеч от зоната на рязане на инструмента.
15. Използвайте карабинери с многостъпково отваряне и винтови карабинери. Не използвайте самозатварящи се с пружинна скоба карабинери.
16. В случай че инструментът падне, той трябва да бъде обозначен и изведен от експлоатация, и трябва да бъде проверен от фабрика на Makita или от упълномощен сервизен център.

► Фиг.33: 1. Отвор за ремък (колан)

ФУНКЦИЯ ЗА БЕЗЖИЧНО АКТИВИРАНЕ

Какво можете да правите с функцията за безжично активиране

Функцията за безжично активиране дава възможност за чиста и удобна работа. Чрез свързване на поддържаща прахосмукачка към инструмента Вие можете да реализирате автоматично включване на същата заедно със задействането на превключвателя на инструмента.

► Фиг.34

За да използвате функцията за безжично активиране, подгответе следните елементи:

- Безжично устройство (допълнителна принадлежност)
- Прахосмукачка, която поддържа функцията за безжично активиране

Прегледът на настройката на функцията за безжично активиране може да се види по-долу. Вижте всеки от разделите за подробности относно процедурите.

1. Монтиране на безжичното устройство
2. Регистриране на инструмента за прахосмукачката
3. Стартирание на функцията за безжично активиране

Монтиране на безжичното устройство

Допълнителни аксесоари

⚠ВНИМАНИЕ: Когато монтирате безжичното устройство, поставете инструмента върху плоска и стабилна повърхност.

БЕЛЕЖКА: Преди да монтирате безжичното устройство на инструмента, почистете праха и замърсяванията. Ако в гнездото на безжичното устройство влязат прах или замърсявания, това може да доведе до неизправност.

БЕЛЕЖКА: За да предотвратите неизправност в следствие на статично електричество, докоснете материал за разреждане на статично електричество, като например метална част на инструмента, преди да вземете безжичното устройство.

БЕЛЕЖКА: Когато монтирате безжичното устройство, винаги се грижете за това безжичното устройство да се вкарва в правилната посока и капакът да бъде напълно затворен.

1. Отворете капака на инструмента, както е показано на фигурата.

► **Фиг.35:** 1. Капак

2. Вкарайте безжичното устройство в гнездото и затворете капака.

Когато вкарвате безжичното устройство, подравнете изпъкналите му части с прорезите в гнездото.

► **Фиг.36:** 1. Безжично устройство 2. Изпъкнала част 3. Капак 4. Част с прорези

Когато махате безжичното устройство, отворете капака бавно. Куките на гърба на капака ще повдигнат безжичното устройство, когато повдигате капака.

► **Фиг.37:** 1. Безжично устройство 2. Кука 3. Капак

След като махнете безжичното устройство, го дръжте в кутията, в която е доставено, или в контейнер без статично електричество.

БЕЛЕЖКА: Когато изваждате безжичното устройство, винаги използвайте куките на гърба на капака. Ако куките не захванат безжичното устройство, затворете капака докрай и го отворете отново бавно.

Регистриране на инструмента за прахосмукачката

ЗАБЕЛЕЖКА: За регистриране на инструмента е необходима прахосмукачка Makita, която поддържа функцията за безжично активиране.

ЗАБЕЛЕЖКА: Преди да започнете регистрирането на инструмента, завършете монтажа на безжичното устройство към инструмента.

ЗАБЕЛЕЖКА: По време на регистрирането на инструмента не натискайте пусковия прекъсвач и не включвайте ключа на захранването на прахосмукачката.

ЗАБЕЛЕЖКА: Вижте също ръководството за експлоатацията на прахосмукачката.

Ако желаете да включвате прахосмукачката със задействането на превключвателя на инструмента, завършете регистрирането на инструмента преди това.

1. Поставете батериите в прахосмукачката и инструмента.
2. Поставете превключвателя за режима на готовност на прахосмукачката в положение „АUTO“ (АВТОМАТИЧНО).
► **Фиг.38:** 1. Превключвател за режим на готовност

3. Натиснете бутона за безжично активиране на прахосмукачката за 3 секунди, докато лампата за безжичното активиране започне да мига в зелено. След това по същия начин натиснете бутона за безжично активиране на инструмента.

► **Фиг.39:** 1. Бутон за безжично активиране
2. Лампа за безжичното активиране

Ако прахосмукачката и инструментът са свързани успешно, лампите за безжичното активиране ще светнат в зелено за 2 секунди и ще започнат да мигат в синьо.

ЗАБЕЛЕЖКА: Лампите за безжично активиране ще спрат да мигат в зелено след 20 секунди. Натиснете бутона за безжично активиране на инструмента, когато лампата за безжично активиране на прахосмукачката мига. Ако лампата за безжично активиране не мига в зелено, отново натиснете за кратко бутона за безжично активиране и го задръжте.

ЗАБЕЛЕЖКА: Когато извършвате две или повече регистрирания на инструменти за една прахосмукачка, завършвайте същите едно по едно.

Стартиране на функцията за безжично активиране

ЗАБЕЛЕЖКА: Завършете регистрирането на прахосмукачката, преди да активирате безжичната връзка.

ЗАБЕЛЕЖКА: Вижте също ръководството за експлоатацията на прахосмукачката.

След регистрирането на инструмент към прахосмукачката тя ще се включва автоматично при задействането на превключвателя на инструмента.

1. Монтирайте безжичното устройство на инструмента.
2. Свържете маркуча на прахосмукачката с инструмента.
► **Фиг.40**

3. Поставете превключвателя за режима на готовност на прахосмукачката в положение „АUTO“ (АВТОМАТИЧНО).

► **Фиг.41:** 1. Превключвател за режим на готовност

4. Натиснете за кратко бутона за безжично активиране на инструмента. Лампата за безжичното активиране ще мига в синьо.

► **Фиг.42:** 1. Бутон за безжично активиране
2. Лампа за безжичното активиране

5. Дръпнете пусковия прекъсвач на инструмента. Проверете дали прахосмукачката работи, докато е натиснат пусковият прекъсвач.

За да спрете безжичното активиране на прахосмукачката, натиснете бутона за безжично активиране на инструмента.

ЗАБЕЛЕЖКА: Лампата за безжичното активиране ще спре да мига в синьо, когато не се работи в продължение на 2 часа. В този случай поставете превключвателя за режим на готовност на прахосмукачката в положение „АUTO“ (АВТОМАТИЧНО) и натиснете отново бутона за безжично активиране на инструмента.

ЗАБЕЛЕЖКА: Прахосмукачката се включва/изключва със закъснение. Има известно закъснение, когато прахосмукачката установява задействане на превключвателя на инструмента.



ЗАБЕЛЕЖКА: Разстоянието на предаване на безжичното устройство може да варира в зависимост от местоположението и околните условия.

ЗАБЕЛЕЖКА: Когато два или повече инструмента са регистрирани на една прахосмукачка, тогава прахосмукачката може да започне да работи, дори да не сте натиснали пусковия прекъсвач, понеже друг потребител използва функцията за безжично активиране.

Описание на състоянието на лампата за безжичното активиране

► Фиг.43: 1. Лампа за безжичното активиране

Лампата за безжичното активиране показва състоянието на функцията за безжично активиране. Значението на състоянието на лампата можете да видите в таблицата по-долу.

Състояние	Лампа за безжичното активиране				Описание
	Цвят	 Вкл.	 Мига	Продължителност	
Готовност	Синьо	<input checked="" type="checkbox"/>		2 часа	Активирането на безжичната връзка на прахосмукачката е достъпно. Лампата ще се изключи автоматично, когато не се извършва операция в продължение на 2 часа.
		<input type="checkbox"/>		Когато инструментът работи.	Активирането на безжичната връзка на прахосмукачката е достъпно и инструментът работи.
Регистриране на инструмента	Зелено	<input checked="" type="checkbox"/>		20 секунди	Готовност за регистриране на инструмента. Изчакване за регистриране на прахосмукачката.
		<input type="checkbox"/>		2 секунди	Регистрирането на инструмента е завършено. Лампата за безжичното активиране ще започне да мига в синьо.
Отмяна на регистриране на инструмента	Червено	<input checked="" type="checkbox"/>		20 секунди	Готовност за отмяна на регистрирането на инструмента. Изчакване на отмяната на регистрирането на инструмента.
		<input type="checkbox"/>		2 секунди	Отмяната на регистрирането на инструмента е завършена. Лампата за безжичното активиране ще започне да мига в синьо.
Други	Червено	<input type="checkbox"/>		3 секунди	Попада се захранване към безжичното устройство и се включва функцията за безжично активиране.
	Изкл.	–		–	Безжичното активиране на прахосмукачката е спряно.

Отмяна на регистрирането на инструмента за прахосмукачката

Когато отменяте регистрирането на инструмента за прахосмукачката, изпълнете следващата процедура.

1. Поставете батериите в прахосмукачката и инструмента.
2. Поставете превключвателя за режима на готовност на прахосмукачката в положение „AUTO“ (АВТОМАТИЧНО).
3. Натиснете бутона за безжично активиране на прахосмукачката за 6 секунди. Лампата за безжичното активиране мига в зелено и след това става червена. След това натиснете по същия начин бутона за безжично активиране на инструмента.

- Фиг.45: 1. Бутон за безжично активиране
2. Лампа за безжичното активиране

Ако отмяната е осъществена успешно, лампите за безжичното активиране ще светнат в червено за 2 секунди и ще започнат да мигат в синьо.

ЗАБЕЛЕЖКА: Лампите за безжично активиране ще спрат да мигат в червено след 20 секунди. Натиснете бутона за безжично активиране на инструмента, когато лампата за безжично активиране на прахосмукачката мига. Ако лампата за безжично активиране не мига в червено, отново натиснете за кратко бутона за безжично активиране и го задръжте.

Откриване на неизправности на функцията за безжично активиране

Преди да заявите ремонт, сами извършете проверка. Ако установите проблем, който не е обяснен в ръководството, не се опитвайте да разглобявате инструмента. Вместо това го занесете в някой от оторизирани сервиси на Makita, които винаги използват за ремонтите резервни части от Makita.

Състояние на неизправност	Възможно причина (неизправност)	Мерки за отстраняване
Лампата за безжичното активиране не свети/мига.	Безжичното устройство не е монтирано в инструмента. Безжичното устройство е монтирано неправилно в инструмента.	Монтирайте правилно безжичното устройство.
	Клемата на безжичното устройство и/или гнездото са замърсени.	Внимателно забършете праха и замърсяванията върху клемата на безжичното устройство и почистете гнездото.
	Бутонът за безжично активиране на инструмента не е натиснат.	Натиснете за кратко бутона за безжично активиране на инструмента.
	Превключвателят за режима на готовност на прахосмукачката не е поставен в положение „АUTO“ (АВТОМАТИЧНО).	Поставете превключвателя за режима на готовност на прахосмукачката в положение „АUTO“ (АВТОМАТИЧНО).
	Няма захранване	Подайте захранване към инструмента и към прахосмукачката.
Не е възможно успешно завършване на регистрирането/успешна отмяна на регистрирането на инструмент.	Безжичното устройство не е монтирано в инструмента. Безжичното устройство е монтирано неправилно в инструмента.	Монтирайте правилно безжичното устройство.
	Клемата на безжичното устройство и/или гнездото са замърсени.	Внимателно забършете праха и замърсяванията върху клемата на безжичното устройство и почистете гнездото.
	Превключвателят за режима на готовност на прахосмукачката не е поставен в положение „АUTO“ (АВТОМАТИЧНО).	Поставете превключвателя за режима на готовност на прахосмукачката в положение „АUTO“ (АВТОМАТИЧНО).
	Няма захранване	Подайте захранване към инструмента и към прахосмукачката.
	Неправилна работа	Натиснете за кратко бутона за безжично активиране и изпълнете отново процедурата по регистриране/отмяна на регистрацията на инструмента.
	Инструментът е отдалечен от прахосмукачката (извън диапазона на предаване).	Приближете инструмента към прахосмукачката. Максималното разстояние на предаване на сигнала е около 10 m, но може да варира в зависимост от условията.
	Преди да завършите регистрирането/отмяната на регистрацията на инструмент; – пусковият прекъсвач на инструмента е натиснат или; – бутонът на захранването на прахосмукачката е включен.	Натиснете за кратко бутона за безжично активиране и изпълнете отново процедурата по регистриране/отмяна на регистрацията на инструмента.
	Процедурите за регистриране на инструмента или прахосмукачката не са завършени.	Извършете процедурите за регистриране на инструмента и на прахосмукачката по едно и също време.
Радиосмущения от други уреди, генериращи силни радиовълни.	Дръжте инструмента и прахосмукачката далеч от уреди, като например Wi-Fi устройства и микровълнови печки.	

Състояние на неизправност	Възможно причина (неизправност)	Мерки за отстраняване
Праходукачката не заработва едновременно с натискането на пусковия прекъсвач на инструмента.	Безжичното устройство не е монтирано в инструмента. Безжичното устройство е монтирано неправилно в инструмента.	Монтирайте правилно безжичното устройство.
	Клемата на безжичното устройство и/или гнездото са замърсени.	Внимателно забършете праха и замърсяванията върху клемата на безжичното устройство и почистете гнездото.
	Бутонът за безжично активиране на инструмента не е натиснат.	Натиснете за кратко бутона за безжично активиране и се уверете, че лампата за безжичното активиране мига в синьо.
	Превключвателят за режима на готовност на праходукачката не е поставен в положение „АУТО“ (АВТОМАТИЧНО).	Поставете превключвателя за режима на готовност на праходукачката в положение „АУТО“ (АВТОМАТИЧНО).
	За праходукачката са регистрирани повече от 10 инструмента.	Извършете отново регистриране на инструмента. Ако за праходукачката са регистрирани повече от 10 инструмента, най-рано регистрираният инструмент ще бъде елиминиран автоматично.
	Праходукачката е изтрила всички регистрирания на инструменти.	Извършете отново регистриране на инструмента.
	Няма захранване	Подайте захранване към инструмента и към праходукачката.
	Инструментът е отдалечен от праходукачката (извън диапазона на предаване).	Приближете инструмента към праходукачката. Максималното разстояние на предаване на сигнала е около 10 m, но може да варира в зависимост от условията.
	Радиосмущения от други уреди, генериращи силни радиовълни.	Дръжте инструмента и праходукачката далеч от уреди, като например Wi-Fi устройства и микровълнови печки.
Праходукачката работи, когато не е натиснат пусковият прекъсвач на инструмента.	Други потребители използват безжичното активиране на праходукачката.	Изключете бутона за безжично активиране на другите инструменти или анулирайте регистрирането на другите инструменти.

ПОДДРЪЖКА

⚠ ВНИМАНИЕ: Преди да проверявате или извършвате поддръжка на инструмента, се уверете, че той е изключен и акумулаторната батерия е извадена.

⚠ ВНИМАНИЕ: Почиствайте горния и долния предпазител, за да се гарантира, че няма събрани стърготини, които могат да попречат на системата на долния предпазител. Замърсена система на предпазител може да ограничава нормалната работа, което да причини сериозно нараняване. Най-ефективно почистване се постига с въздух под налягане. Ако прахът се издухва от предпазителите, задължително използвайте подходящи защитни средства за очите и дишането.

⚠ ВНИМАНИЕ: След всяка употреба, избърсвайте стърготините от инструмента. Финият прах от стърготините може да попадне в инструмента и да предизвика неизправност или пожар.

БЕЛЕЖКА: Не използвайте бензин, нафта, разреждател, спирт и др. подобни. Това може да причини обезцветяване, деформация или пукнатини.

За да се поддържа БЕЗОПАСНОСТТА и НАДЕЖНОСТТА на продукта, ремонтите, поддръжката или регулирането трябва да се извършват от упълномощен сервиз или фабрични сервизни центрове на Makita, като винаги трябва да използвате резервни части от Makita.

Регулиране на точността при рязане под ъгъл 0° или 45°

Тази настройка е направена фабрично. Но ако е изместена, можете да я настроите с помощта на следната процедура.

1. Разхлабете притискащите винтове отпред и отзад на инструмента, така че да можете да промените ъгъла на наклон. Настройте стопера в позиция за ъгъл на наклон 0° – 45°, ако ще регулирате точността при рязане под ъгъл 45°.

► **Фиг.46:** 1. Притискащ винт 2. Стопер

2. Поставете основата перпендикулярно или под 45° спрямо циркулярния диск с помощта на триъгълен линейал, като завъртите регулиращия винт с помощта на шестограмен ключ. Можете да използвате и квадратен линейал за настройване на ъгъл 0°.

► **Фиг.47:** 1. Триъгълник

► **Фиг.48:** 1. Регулиращ винт за ъгъл 0°
2. Регулиращ винт за ъгъл 45°

3. Затегнете притискащите винтове и направете пробно рязане, за да проверите дали е постигнат желаният ъгъл.

Регулировка за паралелност

⚠ ВНИМАНИЕ: Старайте се да поддържате точна успоредност. В противен случай циркулярният диск може да „захапе“ направляващата релса и повредената релса може да причини нараняване.

Тази настройка е направена фабрично. Но ако е изместена, можете да я настроите с помощта на следната процедура.

1. Настройте инструмента на максималната дълбочина на рязане.
2. Проверете дали всички лостове и винтове са затегнати.
3. Разхлабете винтовете, както е показано на илюстрацията.
4. Докато отваряте долния предпазител, преместете задната част на основата така, че разстоянията А и В да се изравнят.
► **Фиг.49:** 1. Винт 2. Основа
5. Затегнете винтовете и направете пробно рязане, за да проверите паралелността.

ДОПЪЛНИТЕЛНИ АКСЕСОАРИ

⚠ ВНИМАНИЕ: Препоръчва се използването на тези аксесоари или крайници с вашия инструмент Makita, описан в настоящото ръководство. Използването на други аксесоари или крайници може да доведе до опасност от телесни повреди. Използвайте съответния аксесоар или крайник само по предназначение.

Ако имате нужда от помощ за повече подробности относно тези аксесоари, се обърнете към местния сервизен център на Makita.

- Циркулярен диск
- Паралелен ограничител (водач)
- Кука
- Направляваща релса
- Водач за рязане под ъгъл
- Скоба
- Лист
- Гумен лист
- Лист за позициониране
- Крайник за събиране на праха
- Шестостенен ключ
- Безжично устройство
- Оригинална акумулаторна батерия и зарядно устройство на Makita

ЗАБЕЛЕЖКА: Някои артикули от списъка може да са включени в комплекта на инструмента, като стандартни аксесоари. Те може да са различни в различните държави.

SPECIFIKACIJE

Model:		HS004G
Promjer lista		185 mm – 190 mm
Maks. dubina rezanja	pri 0°	60,0 mm – 62,5 mm
	uz nagib od 45°	43,0 mm – 44,5 mm
	uz nagib od 48°	41,0 mm – 42,0 mm
Brzina bez opterećenja		6.000 min ⁻¹
Nazivni napon		DC 36 V – 40 V
Ukupna dužina	uz BL4025	322 mm
	uz BL4040	337 mm
Neto težina		4,4 – 4,7 kg

- Zahvaljujući našem stalnom programu razvoja i istraživanja, navedene specifikacije podložne su promjenama bez obavijesti.
- Specifikacije i baterije mogu se razlikovati među državama.
- Težina se može razlikovati ovisno o opremi, uključujući baterijski uložak. Najlakša i najteža kombinacija, sukladno postupku EPTA 01/2014, prikazane su u nastavku.

Odgovarajući baterijski uložak i punjač

Baterija	BL4025 / BL4040
Punjač	DC40RA

- Neki od navedenih baterijskih uložaka i punjača možda neće biti dostupni ovisno o regiji u kojoj se nalazite.

⚠ UPOZORENJE: Upotrebljavajte samo navedene baterijske uloške i punjače. Upotreba bilo koje druge vrste baterijskih uložaka i punjača može prouzročiti ozljede i/ili požar.

Namjena

Alat je namijenjen za uzdužno i poprečno rezanje pod kutom u drvetu uz čvrst dodir s izratkom. Primjerenim izvornim listovima pila tvrtke Makita mogu se piliti i drugi materijali.

Buka

Tipična jačina buke označena s A, određena sukladno EN62841-2-5:

Razina tlaka zvuka (L_{pA}): 93 dB (A)
 Razina snage zvuka (L_{WA}): 104 dB (A)
 Neodređenost (K): 3 dB (A)

NAPOMENA: Deklarirana vrijednost emisije buke izmjerena je prema standardnoj metodi testiranja i može se rabiti za usporedbu jednog alata s drugim.

NAPOMENA: Deklarirana vrijednost emisije buke također se može rabiti za preliminarnu procjenu izloženosti.

⚠ UPOZORENJE: Nosite zaštitu za oči.

⚠ UPOZORENJE: Emisija buke tijekom stvarnog korištenja električnog ručnog alata se može razlikovati od deklariranih vrijednosti emisije, ovisno o načinu na koji se alat rabi, posebice ovisno o tome kakav se izradak izrađuje.

⚠ UPOZORENJE: Nemojte zaboraviti da identificirate sigurnosne mjere zaštite rukovatelja koje se temelje na procjeni izloženosti u stvarnim uvjetima korištenja (uzimajući u obzir sve dijelove radnog ciklusa, poput vremena kada je alat isključen i kada on radi u praznom hodu, a također i vrijeme okidanja).

Vibracija

Ukupna vrijednost vibracija (troosni vektorski zbir) izračunata u skladu s EN62841-2-5:

Način rada: rezanje drva
 Emisija vibracija ($a_{h,W}$): 2,5 m/s² ili manje
 Neodređenost (K): 1,5 m/s²
 Način rada: rezanje metala
 Emisija vibracija ($a_{h,M}$): 2,5 m/s² ili manje
 Neodređenost (K): 1,5 m/s²

NAPOMENA: Deklarirana vrijednost ukupnih vibracija izmjerena je prema standardnoj metodi testiranja i može se rabiti za usporedbu jednog alata s drugim.

NAPOMENA: Deklarirana vrijednost ukupnih vibracija također se može rabiti za preliminarnu procjenu izloženosti.

⚠ UPOZORENJE: Emisija vibracija tijekom stvarnog korištenja električnog ručnog alata se može razlikovati od deklariranih vrijednosti emisije, ovisno o načinu na koji se alat rabi, posebice o tome kakav se izradak izrađuje.

⚠ UPOZORENJE: Nemojte zaboraviti da identificirate sigurnosne mjere zaštite rukovatelja koje se temelje na procjeni izloženosti u stvarnim uvjetima korištenja (uzimajući u obzir sve dijelove radnog ciklusa, poput vremena kada je alat isključen i kada on radi u praznom hodu, a također i vrijeme okidanja).

Izjava o sukladnosti EZ

Samo za države članice Europske unije

Izjava o sukladnosti EZ u privitku je Priloga A ovih uputa za upotrebu.

SIGURNOSNA UPOZORENJA

Opća sigurnosna upozorenja za električne ručne alate

⚠ UPOZORENJE: Pročitajte sva sigurnosna upozorenja, upute, ilustracije i specifikacije priložene uz ovaj električni ručni alat. Nepridržavanje svih uputa navedenih u nastavku može rezultirati strujnim udarom, požarom i/ili ozbiljnim ozljedama.

Sačuvajte sva upozorenja i upute radi kasnijeg korištenja.

Pojam „električni alat“ u upozorenjima odnosi se na električni (kabelski) alat uključen u struju ili na bežične električne alate (na baterije).

Sigurnosna upozorenja za bežičnu kružnu pilu

Postupci rezanja

- ⚠ OPASNOST:** Držite ruke izvan područja rezanja i lista. Drugom rukom držite pomoćnu ručku ili kućište motora. Ako držite pilu objema rukama, list ih ne može zarezati.
- Ne stavljajte ruke ispod izratka.** Štitnik vas pod izratkom ne može zaštititi od lista.
- Podesite dubinu rezanja debljini izratka.** Ispod izratka treba se vidjeti manje od punog zuba nazubljenja na listu.

- Izradak tijekom rezanja nikad ne držite u rukama ili preko noge. Stavite izradak na stabilnu platformu.** Izradak mora imati dobar oslonac kako bi se smanjila izloženost tijela te vjerojatnost zaglavlivanja lista u izratku ili gubitka kontrole.

► SI.1

- Držite električni ručni alat za izolirane ruko-hvatne površine kada izvodite operaciju pri kojoj rezni dodatak može doći u dodir sa skrivenim vodičima.** Dodir s vodičem pod naponom može dovesti pod napon izložene metalne dijelove električnog ručnog alata te prouzročiti strujni udar kod rukovatelja.
- Kad režete pilom, uvijek koristite paralelni graničnik ili ravnu rubnu vodilicu.** Tako se poboljšava preciznost reza i smanjuje vjerojatnost zaglavlivanja lista u izratku.
- Uvijek koristite listove s otvorom za trnove ispravne veličine i oblika (dijamantne u usporedbi s okruglim).** Listovi koji ne odgovaraju dijelu pile na koji se postavljaju radit će ekscentrično i prouzročiti gubitak kontrole.
- Nikad ne koristite oštećene ili neispravne podloške lista ili svornjak.** Podlošci lista i svornjak dizajnirani su isključivo za vašu pilu kako bi se osigurala optimalne performanse i siguran rad.

Uzroci povratnih udara i povezana upozorenja

- povratni je udar nagla reakcija na priklješteni, zaglavljeni ili nepravilno usmjereni list pile uslijed kojega se pila bez kontrole podiže s izratka prema rukovatelju;
- ako se list priklješti ili čvrsto zaglavi između rezne ploče i izratka, list se zaustavlja, a reakcija motora naglo ga izbacuje nazad prema rukovatelju;
- ako se list zakrene ili nepravilno usmjeri u rezu, zubi s njegove stražnje strane mogu se ukopati u gornju površinu drva, čime se list izvuče iz ureza i skoči prema rukovatelju.

Povratni je udar rezultat pogrešne upotrebe pile i/ili nepravilnih radnih postupaka ili uvjeta, a može se spriječiti poduzimanjem prikladnih mjera opreza kao što je navedeno u nastavku.

- Pilu cijelo vrijeme čvrsto držite objema rukama i stavite ih u položaj u kojem se mogu oduprijeti sili povratnog udara.** Tijelo vam se može nalaziti s bilo koje strane lista, ali ne u istom smjeru. Pila uslijed povratnog udara može skočiti unatrag, ali rukovatelj može upravljati tom silom ako poduzme prikladne mjere opreza.
- Kad se list zaglavi ili iz bilo kojeg razloga prekida rez, pustite okidač i ostavite da pila nepomično stoji u materijalu dok se list potpuno ne zaustavi.** Nikada nemojte pokušavati izvaditi pilu iz izratka ili je povući unazad dok je list u pokretu jer može doći do povratnog udara. Ispitajte i poduzmite korektivne mjere kako biste otklonili uzrok zaglavlivanja lista.
- Kad ponovno pokrećete pilu u izratku, stavite list pile na sredinu rezne ploče tako da zubi pile ulaze u materijal.** Ako se list zaglavi, može se podići ili odbiti od izratka dok se pila ponovno pokreće.

4. **Poduprite velike ploče kako biste smanjili rizik od priklještenja i povratnog udara.** Velike ploče teže popuštaju pod vlastitom težinom. Svakako stavite oslonce pod ploču s obje strane, pored linije reza i u blizini ruba ploče.

► **SI.2**

► **SI.3**

5. **Ne koristite tupe ili oštećene listove.** Nenaoštreni ili nepravilno postavljeni listovi izrađuju uske ureze i uzrokuju pretjerano trenje, zaglavljivanje lista i povratni udar.
6. **Ručice za blokadu za podešavanje dubine lista i nagiba moraju biti učvršćene i sigurne prije rezanja.** Ako se list pomakne tijekom rezanja, može se zaglaviti i uzrokovati povratni udar.
7. **Budite iznimno oprezni dok pilite postojeće zidove ili druga slijepa područja.** Prodirući list može prerezati predmete koji mogu prouzročiti povratni udar.
8. **Alat UVIJEK čvrsto držite objema rukama. NIKAD ne stavljajte ruke, noge ili neki drugi dio tijela ispod osnove alata ili iza pile, posebice kod poprečnog rezanja.** Ako dođe do povratnog udara, pila vrlo lako može odskočiti preko vaše ruke i uzrokovati ozbiljne tjelesne ozljede.

► **SI.4**

9. **Nikad ne pilite na silu. Gurajte pilu naprijed pri brzini pri kojoj list može rezati bez usporavanja.** Piljenje na silu može dovesti do nejednolikih rezova, manje preciznosti i mogućega povratnog udara.

Funkcija štitnika

1. **Prije svake uporabe provjerite je li donji štitnik primjereno zatvoren. Ne rukujte pilom ako se donji štitnik ne miče slobodno i ako se odmah ne zatvara. Nikad ne dovodite štitnik u otvoreni položaj stezanjem ili vezivanjem.** Ako vam slučajno ispadne pila, donji se štitnik može iskriviti. Podignite donji štitnik ručkom na povlačenje i uvjerite se da se slobodno pomiče te da ne dodiruje list ili neki drugi dio pod svim kutovima i na svim reznim dubinama.
2. **Provjerite radi li ispravno opruga donjeg štitnika. Ako se štitnik i opruga ne pomiču ispravno, potrebno ih je servisirati prije uporabe alata.** Ako donji štitnik radi tromo, uzrok mogu biti oštećeni dijelovi, ljepljive naslage ili stvaranje taloga.
3. **Donji se štitnik može ručno povući samo za posebne rezove poput „uranjajućih“ i „složениh“ rezova. Podignite donji štitnik povlačenjem ručke i otpustite ga čim list uđe u materijal.** Prilikom svih drugih vrsta piljenja donji bi štitnik trebao raditi automatski.
4. **Uvijek provjerite pokriva li donji štitnik list prije nego što odložite pilu na klupu ili pod.** Nezaštićeni list može uzrokovati povratno kretanje alata koji reže sve pred sobom. Obratite pažnju na vrijeme potrebno da se list u potpunosti zaustavi nakon otpuštanja prekidača.
5. **Da biste provjerili donji štitnik, ručno ga otvorite, otpustite i promatrajte kako se zatvara. Također se uvjerite da ručka na povlačenje ne dotiče kućište alata.** Izloženi list **VRLO JE OPASAN** i može uzrokovati ozbiljne tjelesne ozljede.

Dodatna sigurnosna upozorenja

1. **Budite iznimno oprezni dok režete vlažno drvo, drvenu građu obrađenu tlakom ili drvo s kvržicama.** Pustite alat da glatko klizi bez smanjenja brzine lista kako se vršci lista ne bi pregrijali.
2. **Nemojte uklanjati rezani materijal dok se list okreće. Čekajte dok se list ne zaustavi i tek tada zahvatite rezani materijal.** Listovi se i dalje okreću nakon isključivanja.
3. **Izbjegavajte rezanje čavala. Prije rezanja provjerite ima li čavala te ih sve uklonite iz drvene građe.**
4. **Stavite širi dio temelja pile na dio izratka koji ima čvrst oslonac, a ne na dio koji će pasti prilikom reza. Ako je izradak kratak ili malen, stegnite ga. NE POKUŠAVAJTE DRŽATI KRATKE IZRATKE U RUCI!**

► **SI.5**

5. **Prije nego što odložite alat nakon završetka reza provjerite je li štitnik zatvoren i je li se list pile potpuno zaustavio.**
6. **Nikad ne pokušavajte piliti tako da kružnu pilu držite naopako u škripcu.** To je iznimno opasno i može dovesti do ozbiljnih nezgoda.

► **SI.6**

7. **Neki materijal sadrži kemikalije koje mogu biti toksične. Poduzmite potrebne mjere opreza da biste spriječili udisanje prašine i dodir s kožom.** Pročitajte sigurnosno-tehnički list dobavljača materijala.
8. **Ne zaustavljajte listove poprečnim pritiskom.**
9. **Nemojte koristiti nikakve abrazivne diskove.**
10. **Rabite samo list pile promjera označenog na alatu ili navedenog u priručniku.** Upotreba lista nepropisne veličine može utjecati na zaštitu lista ili rad štitnika, što može rezultirati ozbiljnim tjelesnim ozljedama.
11. **List uvijek mora biti oštar i čist.** Ako se na listu stvrdne smola, on radi usporeno i veća je vjerojatnost da će doći do povratnog udara. Održavajte list čistim tako da ga prvo skinete s alata, a zatim očistite sredstvom za uklanjanje smole, vrućom vodom i kerozinom. Nikad ne koristite benzin.
12. **Nosite masku za prašinu i zaštitu sluha dok koristite alat.**
13. **Uvijek koristite list pile koji je namijenjen za rezanje materijala koji ćete rezati.**
14. **Rabite samo listove pile nazivne brzine koja je jednaka ili veća od brzine označene na alatu.**
15. **(Samo za europske države) Uvijek koristite list koji je u skladu s EN847-1.**
16. **Alat i dijelove stavite na ravnu i čvrstu površinu.** U protivnom bi alat ili dijelovi pasti i prouzročiti ozljede.

ČUVAJTE OVE UPUTE.

▲ UPOZORENJE: NEMOJTE dozvoliti da udobnost ili znanje o proizvodu (stečeno stalnim korištenjem) zamijene strogo pridržavanje sigurnosnih propisa za određeni proizvod. **ZLOUPORABA** ili nepridržavanje sigurnosnih propisa navedenih u ovom priručniku s uputama mogu prouzročiti ozbiljne ozljede.

Važne sigurnosne upute za bateriju

- Prije uporabe baterije pročitajte sve upute i oznake upozorenja na (1) punjaču za baterije, (2) bateriji i (3) proizvodu koji koristi bateriju.**
- Nemojte rastavljati ili izmjenjivati baterijski uložak.** To može dovesti do požara, pretjeranog zagrijavanja ili eksplozije.
- Ako se vrijeme rada znatno skratilo, odmah prestanite raditi.** Može doći do pregrijavanja, mogućih opekline pa čak i eksplozije.
- Ako vam elektrolit dospije u oči, isperite ih čistom vodom i odmah se obratite liječniku.** Tako možete izgubiti vid.
- Nemojte kratko spojati bateriju:**
 - Ne dovodite terminale u kontakt s provodljivim materijalima.**
 - Ne čuvajte bateriju u spremniku s drugim metalnim predmetima poput čavala, kovanica itd.**
 - Ne izlažite bateriju vodi ili kiši.** Kratki spoj baterije može uzrokovati velik protok struje, pregrijavanje, moguće opekline pa čak i kvar.
- Ne držite alat i bateriju na mjestima gdje temperatura može premašiti 50 °C.**
- Ne spaljujte bateriju čak ni ako je ozbiljno oštećena ili potpuno istrošena.** Baterija može eksplodirati u vatri.
- Nemojte zabijati čavle u baterijski uložak, rezati ga, gnječiti, bacati ili udarati tvrdim predmetom.** Ti postupci mogu dovesti do požara, pretjeranog zagrijavanja ili eksplozije.
- Ne koristite oštećene baterije.**
- Sadržane litij-ionske baterije podliježu odredbama zakonskih propisa o opasnim tvarima.** Kada se radi o komercijalnom transportu koji obavljaju npr. dobavljači ili špediteri, moraju se poštovati posebni zahtjevi na pakiranju i oznakama. Prilikom pripreme isporuke takve stavke potražite savjet stručnjaka za opasne tvari. Pogledajte i moguće detaljnije nacionalne propise. Prekrijte trakom ili zaštitite otvorene kontakte i bateriju zapakirajte tako da se ne može pomicati u pakiranju.
- Kada odlazete baterijski uložak u otpad, uklonite ga iz alata i zbrinite na sigurnom mjestu.** Pridržavajte se lokalnih zakonskih propisa za zbrinjavanje baterija.
- Upotrebljavajte baterije samo s proizvodima koje je odobrila tvrtka Makita.** Umetanje baterija u neprikladne proizvode može dovesti do požara, prekomjerne topline, eksplozije ili curenja elektrolita.
- Ako se alat ne upotrebljava dulje vrijeme, bateriju morate ukloniti iz alata.**
- Tijekom i nakon upotrebe baterijski uložak može se zagrijati i prouzročiti opekline višeg ili nižeg stupnja.** Pažljivo rukujte vrućim baterijskim ulošcima.
- Nemojte dirati priključak alata neposredno nakon upotrebe jer se može zagrijati toliko da prouzroči opekline.**

- Ne dopustite da krhotine, prašina ili zemlja zapnu u priključcima, otvorima i urezima baterijskog uloška.** To može dovesti do neispravnog rada ili kvara alata ili baterijskog uloška.
- Ako alat ne podržava upotrebu u blizini visokonaponskih električnih vodova, nemojte upotrebljavati baterijski uložak u blizini a visokonaponskih električnih vodova.** To može dovesti do neispravnog rada ili kvara alata ili baterijskog uloška.

ČUVAJTE OVE UPUTE.

⚠OPREZ: Uvijek upotrebljavajte originalne baterije Makita. Upotreba baterija koje nisu originalne baterije Makita ili su izmijenjene može dovesti do rasprskavanja baterije i uzrokovati požar, tjelesnu ozljedu ili štetu. To će također poništiti jamstvo tvrtke Makita za alat i punjač Makita.

Savjeti za održavanje najduljeg vijeka trajanja baterije

- Napunite bateriju prije nego što se potpuno isprazni.** Uvijek zaustavite alat i napunite bateriju kad primijetite da alat slabije radi.
- Nikad ne puniti već do kraja napunjenu bateriju.** Pretjerano punjenje skraćuje radni vijek baterije.
- Bateriju puniti na sobnoj temperaturi između 10 °C i 40 °C.** Vruću bateriju prije punjenja ostavite da se ohladi.
- Kada ne upotrebljavate baterijski uložak, uklonite ga iz alata ili punjača.**
- Napunite bateriju ako je ne mislite koristiti duže vrijeme (duže od 6 mjeseci).**

Važne sigurnosne upute za bežičnu jedinicu

- Nemojte rastavljati ili izmjenjivati bežičnu jedinicu.**
- Držite bežičnu jedinicu podalje od male djece.** U slučaju gutanja odmah potražite liječničku pomoć.
- Bežičnu jedinicu upotrebljavajte samo s alatima Makita.**
- Ne izlažite bežičnu jedinicu kiši ni vlazi.**
- Nemojte upotrebljavati bežičnu jedinicu na mjestima na kojima temperatura premašuje 50 °C.**
- Nemojte upotrebljavati bežičnu jedinicu na mjestima na kojima se nalaze medicinski instrumenti, npr. ako su u blizini pejsmejkera.**
- Nemojte upotrebljavati bežičnu jedinicu na mjestima na kojima se nalaze automatski uređaji.** Ako automatski uređaji rade, može doći do kvara ili poremećaja.
- Nemojte upravljati bežičnom jedinicom na mjestima s visokom temperaturom ili na mjestima gdje može doći do statičkog elektriciteta ili električnog šuma.**
- Bežična jedinica može proizvesti elektromagnetska polja (EMP), ali ona nisu štetna za korisnika.**

10. Bežična je jedinica precizan instrument. Pazite da vam bežična jedinica ne ispadne ili da je ne udarite.
11. Izbjegavajte dodirivati priključak bežične jedinice golim rukama ili metalnim predmetima.
12. Uvijek uklonite bateriju iz proizvoda pri umetanju bežične jedinice.
13. Kad otvarate poklopac utora, izbjegavajte mjesta na kojima može doći do ulaska prašine i vode u utor. Uvijek održavajte ulaz utora čistim.
14. Uvijek umetnite bežičnu jedinicu u ispravnom smjeru.
15. Nemojte pritiskati gumb za aktivaciju bežične jedinice prejako i/ili ga pritiskati predmetom koji ima oštar rub.
16. Uvijek zatvorite poklopac utora prilikom rada.
17. Nemojte uklanjati bežičnu jedinicu iz utora dok je aktivno napajanje alata. U protivnom može doći do kvara bežične jedinice.
18. Nemojte uklanjati naljepnicu s bežične jedinice.
19. Nemojte stavljati bilo kakve naljepnice na bežičnu jedinicu.
20. Nemojte ostavljati bežičnu jedinicu na mjestu gdje može doći do statičkog elektriciteta ili električnog šuma.
21. Nemojte ostavljati bežičnu jedinicu na mjestu izloženoj velikoj toplini, primjerice na sjedalu u automobilu izloženoj suncu.
22. Nemojte ostavljati bežičnu jedinicu na prašnjavom mjestu ili na mjestu gdje može nastati korozivni plin.
23. Iznenađna promjena temperature može izazvati rošenje bežične jedinice. Nemojte upotrebljavati bežičnu jedinicu dok se potpuno ne osuši.
24. Prilikom čišćenja bežične jedinice nježno je obrišite suhom i mekanom krpom. Nemojte upotrebljavati benzin, razrjeđivač, provodljivu mast ili slično.
25. Bežičnu jedinicu pohranite u priloženoj kutiji ili antistatičkom spremniku.
26. Nemojte umetati bilo kakve uređaje osim bežične jedinice Makita u utor na alatu.
27. Nemojte upotrebljavati alat ako je poklopac utora oštećen. Voda, prašina i prljavština mogu prodrijeti u utor i prouzročiti kvar.
28. Nemojte povlačiti i/ili izvijati poklopac utora više nego što je potrebno. Vratite poklopac ako spadne s alata.
29. Zamijenite poklopac utora ako ga izgubite ili oštetite.

ČUVAJTE OVE UPUTE.

FUNKCIONALNI OPIS

⚠OPREZ: Prije podešavanja ili provjere rada alata obavezno provjerite je li stroj isključen i baterija uklonjena.

Umetanje ili uklanjanje baterije

⚠OPREZ: Uvijek isključite alat prije umetanja ili uklanjanja baterije.

⚠OPREZ: Čvrsto držite alat i bateriju pri umetanju ili uklanjanju baterije. Ako alat i bateriju ne držite čvrsto, mogli bi vam iskliznuti iz ruku te oštetiti alat i bateriju ili uzrokovati osobnu ozljedu.

► **SI.7:** 1. Crveni indikator 2. Gumb 3. Baterija

Za uklanjanje bateriju gurnite van iz alata pritiskom gumba na prednjoj strani uloška.

Za umetanje baterije poravnajte jezičac na bateriji s utorom u kućištu i gurnite je na mjesto. Umetnite bateriju skroz do kraja dok ne sjedne na svoje mjesto uz mali klik. Ako možete vidjeti crveni indikator na gornjoj strani gumba, baterija nije do kraja sjela na svoje mjesto.

⚠OPREZ: Uvijek umetnite bateriju dok kraja tako da ne možete vidjeti crveni indikator. U suprotnom može slučajno ispasti iz alata, što može dovesti do ozljede vas ili nekog u blizini.

⚠OPREZ: Ne umećite bateriju silom. Ako baterija ne klizne lagano, znači da nije ispravno umetnuta.

Sustav zaštite alata/baterije

Ovaj alat sadrži sustav zaštite alata/baterije. Sustav automatski prekida napajanje motora da bi produžio vijek trajanja baterije. Alat automatski prestaje raditi ako se alat ili baterija nađu u nekom od sljedećih uvjeta. U nekim se uvjetima pale indikatori.

Zaštita od preopterećenja

Ako se alatom rukuje na način koji dovodi do neuobičajeno velike potrošnje struje, alat se automatski zaustavlja. U tom slučaju isključite alat i prekinite radnje koje su izazvale njegovo preopterećenje. Zatim uključite alat kako biste ga pokrenuli.

Zaštita od pregrijavanja

U slučaju pregrijavanja alata ili baterije alat se automatski zaustavlja i žaruljica počinje treperiti. U tom slučaju ostavite alat i bateriju da se ohlade prije ponovnog uključivanja alata.

Zaštita od prekomjernog pražnjenja

Ako je kapacitet baterije prenizak, alat se automatski zaustavlja. Ako proizvod ne radi ni nakon djelovanja na prekidače, uklonite baterije iz alata i napunite ih.

Prikaz preostalog kapaciteta baterije

Pritisnite gumb za provjeru na bateriji kako biste provjerili preostali kapacitet baterije. Žaruljica indikatora zasvijetli će na nekoliko sekundi.

► **SI.8:** 1. Žaruljice indikatora 2. Gumb za provjeru

Žaruljice indikatora			Preostali kapacitet
Svijetli	Isključeno	Treperi	
			75 % do 100 %
			50 % do 75 %
			25 % do 50 %
			0 % do 25 %
			Napunite bateriju.
			Baterija je možda neispravna.

NAPOMENA: Ovisno o uvjetima upotrebe i temperaturi okoline, prikaz indikatora može se donekle razlikovati od stvarnog kapaciteta.

Uključivanje i isključivanje

▲ UPOZORENJE: Prije umetanja baterije u alat provjerite radi li uključno/isključna sklopka i vraća li se u položaj za isključivanje „OFF” nakon otpuštanja.

▲ UPOZORENJE: Gumb za blokadu NIKADA ne pritišćite tako da ga zalijepite ili na neki drugi način. Sklopka s neispravnim gumbom za blokadu može uzrokovati slučajno uključivanje i ozbiljne tjelesne ozljede.

▲ UPOZORENJE: NIKADA ne upotrebljavajte alat ako radi i ako ste samo povukli uključno/isključnu sklopku, a da niste pritisnuli gumb za blokadu. Neispravan prekidač može uzrokovati nehotično uključivanje i ozbiljne tjelesne ozljede. Vratite alat u servisni centar uređaja Makita radi potrebnih popravka PRIJE daljnje uporabe.

Kako bi se spriječio nehotično uključivanje uključno/isključne sklopke uređaj je opremljen gumbom za blokadu. Za pokretanje alata otpustite gumb za blokadu i povucite uključno/isključnu sklopku. Za zaustavljanje alata otpustite uključno/isključnu sklopku.

► **SI.9:** 1. Uključno/isključna sklopka 2. Gumb za blokadu

NAPOMENA: Nemojte snažno povlačiti uključno-isključnu sklopku prije nego što pritisnete gumb za deblokadu. Na taj bi se način mogao slomiti sklopka.

▲ OPREZ: Alat započinje s prekidima okretanja lista kružne pile odmah nakon što otpustite uključno/isključnu sklopku. Čvrsto držite alat kako biste reagirali na kočenje prilikom ispuštanja uključno/isključne sklopke. Iznadna reakcija može dovesti do izbijanja alata iz ruke i prouzročiti ozljede.

Funkcija za automatsku promjenu brzine

Ovaj alat ima „način rada velike brzine” i „način rada s velikom okretnim momentom”.

Alat automatski mijenja način rada ovisno o radnom opterećenju. Kada je radno opterećenje na niskoj razini, alat radi u načinu rada velike brzine radi bržeg rezanja. Kada je radno opterećenje na visokoj razini, alat radi u načinu rada velikog okretnog momenta radi snažnijeg rezanja.

► **SI.10:** 1. Indikator načina rada

Indikator načina rada svijetli zeleno dok je alat u načinu rada s velikim okretnim momentom.

Kada alat radi pod preopterećenjem, indikator načina rada treperi zeleno. Kada opterećenje alata smanjite, indikator načina rada prestaje treperiti, a zatim se uključuje ili isključuje.

Stanje indikatora načina rada			Način rada
<input checked="" type="radio"/> Uključeno	<input type="radio"/> Isključeno	<input checked="" type="radio"/> Treperi	
			Način rada velike brzine
			Način rada s velikim okretnim momentom
			Upozorenje na preopterećenje

Podešavanje dubine rezanja

▲ OPREZ: Nakon namještanja dubine reza, uvijek čvrsto zategnite ručicu.

Otpustite ručicu na graničniku dubine i osnovnu ploču pomaknite prema gore ili prema dolje. Osnovnu ploču pričvrstite na željenoj dubini rezanja zatezanjem ručice. Za čistije, sigurnije rezanje postavite dubinu rezanja tako da najviše jedan zubac lista izviruje ispod izratka. Korištenjem pravilnih dubina rezanja smanjuje se mogućnost opasnih POVRATNIH UDARA koji mogu dovesti do osobnih ozljeda.

► **SI.11:** 1. Ručica

Koso rezanje

▲ OPREZ: Nakon podešavanja kuta kutnog reza uvijek čvrsto zategnite stezne vijke.

Otpustite stezne vijke. Namjestite željeni kut tako da na odgovarajući način nagnete i čvrsto zategnete stezne vijke.

► **SI.12:** 1. Stezni vijak

Koristite graničnik pri preciznom rezanju pod 45°. Potpuno okrenite graničnik kao što je prikazano, ovisno o kutnom rezu 0° – 45° ili 0° – 48°.

► **SI.13:** 1. Zapor

Točno rezanje

Za ravne rezove poravnajte položaj 0° na prednjoj strani osnovne ploče s linijom reza. Za kose rezove od 45° poravnajte položaj u skladu s tim.

► **SI.14:** 1. Linija reza (položaj 0°) 2. Linija reza (položaj 45°)

Uključivanje žaruljice

⚠OPREZ: Nemojte izravno gledati u svjetlo ili izvor svjetlosti.

Da biste uključili žaruljicu bez pokretanja alata, povucite uključno/isključnu sklopku bez pritiskanja gumba za blokadu. Da biste uključili žaruljicu dok alat radi, pritisnite i držite gumb za blokadu te povucite uključno/isključnu sklopku. Lampica se isključuje 10 sekundi nakon otpuštanja uključno/isključne sklopke.

► **SI.15:** 1. Žaruljica

NAPOMENA: Suhom krpom obrišite prljavštinu s leće žaruljice. Budite oprezni da ne zagrebete leću žaruljice jer to može smanjiti osvjjetljenje.

NAPOMENA: Kada se alat pregrije, lampica treperi jednu minutu. U tom slučaju ohladite alat prije sljedećeg korištenja.

Kuka

Dodatni pribor

⚠OPREZ: Prilikom vješanja alata o kuku uvijek izvadite bateriju.

⚠OPREZ: Alat nikada ne vješajte na visoka mjesta ili potencijalno nestabilna mjesta kao što su površine. U protivnom bi alat mogao izgubiti ravnotežu i pasti.

⚠OPREZ: Nemojte povlačiti alat prema dolje dok je pričvršćen.

Kuka je praktična za privremeno vješanje alata.

► **SI.16**

Pričvrstite kuku s pomoću vijaka, kao što je prikazano.

► **SI.17:** 1. Kuka 2. Vijak

Da biste koristili kuku, jednostavno je okrećite dok se ne uklopi u otvoren položaj.

Kada nije u upotrebi, uvijek zakrenite kuku tako da se učvrsti u zatvorenom položaju.

► **SI.18:** 1. Otvoren položaj 2. Zatvoren položaj

Električna kočnica

Ovaj alat opremljen je električnom kočnicom lista. Ako alat opetovano ne uspijeva brzo zaustaviti list kružne pile nakon otpuštanja ručice prekidača, odnesite alat na servisiranje u servisni centar tvrtke Makita.

⚠OPREZ: Sustav kočnice lista nije zamjena za štitičnik lista. **NIKADA NE UPOTREBLJAVAJTE ALAT BEZ FUNKCIONALNOG ŠTITIČNIKA LISTA. MOŽE DOĆI DO OZBILJNIH TJELESNIH OZLJEDA.**

Elektroničke funkcije

Alati opremljeni elektroničkim funkcijama jednostavno se koriste zbog sljedećih značajki.

Značajka mekog pokretanja (soft-start)

Meko pokretanje zbog potisnutog početnog šoka.

MONTAŽA

⚠OPREZ: Prije izvođenja bilo kakve radnje na alatu obavezno provjerite je li stroj isključen i baterija uklonjena.

Spremanje imbus ključa

Kad ga ne upotrebljavate, šesterokutni ključ spremite kao što je prikazano na slici kako ga ne biste izgubili.

► **SI.19:** 1. Imbus ključ

Uklanjanje ili instalacija lista kružne pile

⚠OPREZ: List kružne pile mora biti postavljen sa zubima prema gore na prednjoj strani uređaja.

⚠OPREZ: Za instalaciju ili uklanjanje lista kružne pile koristite isključivo imbus ključ marke Makita.

Za uklanjanje lista kružne pile pritisnite blokadu vretena do kraja tako da se list kružne pile ne može okretati i imbus ključem otpustite šesterokutni vijak. Zatim uklonite šesterokutni vijak, vanjsku prirubnicu, list kružne pile i prsten (ovisno o zemlji).

► **SI.20:** 1. Blokada vretena 2. Imbus ključ 3. Otpuštanje 4. Zatezanje

Za alat bez prstena

► **SI.21:** 1. Šesterokutni vijak 2. Vanjska prirubnica 3. List kružne pile 4. Strelica na listu kružne pile 5. Unutarnja prirubnica 6. Strelica na alatu

Za alat s prstenom

► **SI.22:** 1. Šesterokutni vijak 2. Vanjska prirubnica 3. List kružne pile 4. Strelica na listu kružne pile 5. Prsten 6. Unutarnja prirubnica 7. Strelica na alatu

Da biste postavili list kružne pile, učinite isto kao za uklanjanje samo obrnutim redoslijedom. Poravnajte smjer strelice na oštrici sa strelicom na alatu.

Za alat s unutarnjom prirubnicom za list pile promjera rupe osim 15,88 mm

Unutarnja prirubnica ima izbočinu određenog promjera na jednoj strani i izbočinu drugog promjera na drugoj strani. Odaberite ispravnu stranu na kojoj se izbočina savršeno uklapa u rupu pile. Postavite unutarnju prirubnicu na osovinu za postavljanje tako da je odgovarajuća strana izbočenja na unutarnjoj prirubnici okrenuta prema van, a zatim postavite list pile i vanjsku prirubnicu.

► **SI.23:** 1. Osovina za postavljanje 2. Unutarnja prirubnica 3. List kružne pile 4. Vanjska prirubnica 5. Šesterokutni vijak

⚠ UPOZORENJE: ŠESTEROKUTNI VIJAK DOBRO PRITEGNITE ZATEŽUĆI GA U SMJERU KAZALJKE NA SATU. Također pripazite da pretjerano ne zategnete vijak. U slučaju da vam se oklizne ruka s imbus ključa, možete se ozlijediti.

⚠ UPOZORENJE: Izbočenje „a” na unutarnjoj prirubnici koja je u vanjskom položaju treba se savršeno uklopiti u rupu pile „a”. Postavljanje lista pile na pogrešnoj strani može dovesti do opasnih vibracija.

Za alat s unutarnjom prirubnicom za list pile s promjerom rupe od 15,88 mm (ovisno o zemlji)

Postavite unutarnju prirubnicu s udubljenom stranom okrenutom prema van na osovinu za postavljanje, a zatim postavite list pile (po potrebi s pričvršćenim prstenom), vanjsku prirubnicu i šesterokutni vijak.

Za alat bez prstena

► **SI.24:** 1. Osovina za postavljanje 2. Unutarnja prirubnica 3. List kružne pile 4. Vanjska prirubnica 5. Šesterokutni vijak

Za alat s prstenom

► **SI.25:** 1. Osovina za postavljanje 2. Unutarnja prirubnica 3. List kružne pile 4. Vanjska prirubnica 5. Šesterokutni vijak 6. Prsten

⚠ UPOZORENJE: ŠESTEROKUTNI VIJAK DOBRO PRITEGNITE ZATEŽUĆI GA U SMJERU KAZALJKE NA SATU. Također pripazite da pretjerano ne zategnete vijak. U slučaju da vam se oklizne ruka s imbus ključa, možete se ozlijediti.

⚠ UPOZORENJE: Ako je za postavljanje lista na osovinu potreban prsten, obavezno provjerite je li pravi prsten za otvor osovine lista kojeg namjeravate upotrijebiti postavljen između unutarnjih i vanjskih prirubnica. Upotreba neodgovarajućeg otvora prstena može dovesti do nepravilnog pričvršćivanja lista što može prouzročiti pomicanje lista i ozbiljne vibracije koji mogu dovesti do gubitka kontrole tijekom rada i ozbiljnih ozljeda.

Čišćenje štitnika lista pile

Prilikom mijenjanja lista kružne pile svakako očistite gornji i donji štitnik lista od nakupljene piljevine, kao što je navedeno u odjeljku Održavanje. Ovi postupci ne otklanjaju potrebu za provjerom rada donjeg štitnika prije svake uporabe.

Spajanje usisavača

Kada želite izvršiti čisto rezanje, na alat spojite usisavač tvrtke Makita. Spojite crijevo usisivača na mlaznicu za prašinu kao što je prikazano na slici.

► **SI.26:** 1. Mlaznica za prašinu 2. Vijak

► **SI.27:** 1. Crijevo 2. Usisivač za prašinu

RAD

Ovaj je alat namijenjen za rezanje proizvoda od drva. Odgovarajućim originalnim listovima kružnih pila tvrtke Makita mogu se piliti i sljedeći materijali:

- Proizvodi od aluminiya
- Informacije o tome koje listove kružne pile upotrebljavati za materijal koji se reže potražite na našem web-mjestu ili se obratite lokalnom zastupniku tvrtke Makita.

Provjera funkcije štitnika lista

Postavite kut nagiba na 0°, a zatim ručno povucite donji štitnik do kraja i otpustite ga. Donji štitnik ispravno funkcionira:

- ako je uvučen iznad osnovne ploče tako da ga ništa ne ometa i
 - ako automatski vraća zaustavljač i u doticaju je sa zaustavljačem.
- **SI.28:** 1. Gornji štitnik 2. Donji štitnik 3. Osnovna ploča 4. Zapor 5. Otvori 6. Zatvori

Ako donji štitnik ne funkcionira ispravno, provjerite je li se unutar gornjeg i donjeg štitnika nakupila piljevina. Ako donji štitnik ne funkcionira ispravno ni nakon uklanjanja piljevine, odnesite alat na servisiranje u ovlaštenu servis tvrtke Makita.

Rezanje

⚠ OPREZ: Tijekom rezanja nosite masku za zaštitu od prašine.

⚠ OPREZ: Stroj uvijek pomičite prema naprijed, ravno, s umjerenom silom. Primjena sile na alat ili zavrtnje alata dovest će do pregrijavanja motora i opasnog povratnog udara što može uzrokovati teške ozljede.

NAPOMENA: Alat možda neće raditi punim kapacitetom ako je temperatura baterije preniska. U tom slučaju odradite, primjerice, laganiji rez uz pomoć alata kako bi temperatura baterije dostigla sobnu temperaturu. Tada će alat raditi punim kapacitetom.

► SI.29

Čvrsto držite alat. Alat ima rukohvat s prednje strane i držak sa stražnje strane. Koristite oboje kako biste najbolje uhvatili alat. Ako s obje ruke držite pilu, ne možete se porezati na list kružne pile. Osnovnu ploču postavite na izradak tako da je list kružne pile ne dodiruje. Zatim uključite alat i pričekajte da list kružne pile postigne puni broj okretaja. Potom jednostavno pomaknite alat naprijed preko površine izratka držeći ga u ravnom položaju i lagano napredujući sve dok piljenje ne završi. Za postizanje čistih rezova održavajte ravan smjer piljenja i jednoliku brzinu napredovanja. Ako rez ne prati pravilno zadanu liniju reza, nemojte pokušati okrenuti ili prisiliti alat natrag na liniju reza. To može vezati list kružne pile i uzrokovati opasan povratni udar i ozbiljnu ozljedu. Otpustite sklopku, pričekajte da se list kružne pile zaustavi te nakon toga izvucite alat. Poravnajte alat na novu liniju reza i počnite ponovno rezati. Pokušajte izbjeći položaj koji izlaže rukovatelja strugotinama i drvenoj prašini koje izbacuje pila. Upotrebljavajte zaštitu za oči kako biste izbjegli ozljede.

Paralelni graničnik (paralelna vodilica)

⚠ OPREZ: Provjerite je li paralelni graničnik čvrsto postavljen u ispravan položaj prije upotrebe. Neispravno pričvršćenje može prouzročiti opasan povratni udar.

- **SI.30:** 1. Paralelni graničnik (paralelna vodilica)
2. Zatezni vijak

Praktičan paralelni graničnik omogućuje izrazito precizne ravne rezove. Usporedni prislon jednostavno namjestite sigurno s bočne strane izratka i pričvrstite ga vijkom na čelnu stranu osnovne ploče. Na takav način možete izrađivati i serijske rezove jednake širine.

Vodilice

Dodatni pribor

Položite alat na stražnji dio šine vodilice. Okrenite dva vijka za podešavanje na podnožju alata kako bi alat nesmetano klizio bez prepreka. Čvrsto držite prednji rukohvat i stražnju ručicu alata. Uključite alat i jednim potezom režite punom dužinom štitnika od cijepanja. Rub štitnika od cijepanja sad odgovara rubu rezanja.

- **SI.31:** 1. Vijci za prilagođavanje

Prilikom uranjajućeg rezanja s vodilicom upotrijebite kliznu polugu kako biste spriječili prevrtanje alata. Pomaknite kliznu polugu na osnovi alata u smjeru strlice sve dok ne sjedne u urezani žlijeb na šini vodilici.

- **SI.32:** 1. Klizna poluga

Povezivanje uzicom (sigurnosna uzica)

⚠ Sigurnosna upozorenja specifična za upotrebu na visini
Pročitajte sva sigurnosna upozorenja i upute.
Nepridržavanje upozorenja ili uputa može rezultirati ozbiljnim ozljedama.

1. **Uvijek održavajte alat pričvršćenim prilikom rada na visini.** Maksimalna duljina uzice iznosi 2 m (6,5 stopa). Maksimalna dopuštena visina pada uzice (sigurnosne uzice) ne smije prelaziti 2 m (6,5 stopa).
2. **Koristite samo uzice prikladne za alat, s nazivnom težinom od najmanje 7,0 kg (15,4 lbs).**
3. **Nemojte pričvršćivati uzicu alata na bilo koji dio tijela ili na pokretne komponente.** Pričvrstite uzicu alata na stabilnu strukturu koja može izdržati sile u slučaju pada alata.
4. **Pazite da uzica bude ispravno osigurana na svaki kraj prije upotrebe.**
5. **Pregledajte postoje li oštećenja na alatu i uzici prije svake upotrebe te rade li ispravno (uključujući tkaninu i šavove).** Nemojte koristiti u slučaju oštećenja ili neispravnog rada.
6. **Nemojte motati uzicu oko alata i pazite da ne dođe u dodir s oštrim ili neravnim rubovima.**
7. **Pričvrstite drugi kraj uzice izvan radnog područja tako da alat bude dobro pričvršćen u slučaju pada.**
8. **Pričvrstite uzicu tako da alat u tom slučaju ne može pasti na rukovatelja.** Ispušteni alat njihov će se na uzici, što može dovesti do ozljeđivanja ili gubitka ravnoteže.
9. **Nemojte koristiti alat u blizini pokretnih dijelova ili radnih dijelova postrojenja.** U protivnom može doći do opasnosti od loma ili zapetljanja.

10. **Nemojte nositi alat držeći ga za pričvrсни uređaj ili uzicu.**
 11. **Alat prenosite između ruku samo kad dok održavate odgovarajuću ravnotežu.**
 12. **Nemojte pričvršćivati uzice na alat tako da ometaju rad štitnika, sklopki ili blokada.**
 13. **Pazite da se ne zapetljate u uzicu.**
 14. **Držite uzicu podalje od reznog područja alata.**
 15. **Koristite višenamjenske karabine s navojem. Nemojte koristiti karabine s oprugom.**
 16. **U slučaju ispuštanja alata, alat treba označiti i ukloniti iz upotrebe, a zatim poslati na pregled u tvornicu Makita ili ovlašteni servisni centar.**
- **SI.33:** 1. Otvor za uzicu (sigurnosna uzica)

FUNKCIJA AKTIVACIJE BEŽIČNE JEDINICE

Što možete raditi s funkcijom aktivacije bežične jedinice

Funkcija aktivacije bežične jedinice omogućuje čist i ugodan rad. Priključivanjem kompatibilnog usisivača prašine na alat možete upotrebljavati usisivač prašine automatski pomoću funkcije prebacivanja alata.

- **SI.34**

Kako biste upotrebljavali funkciju aktivacije bežične jedinice, pripremite sljedeće stavke:

- bežičnu jedinicu (dodatni pribor)
- usisivač prašine koji podržava funkciju aktivacije bežične jedinice

U nastavku donosimo pregled postavljanja funkcije aktivacije bežične jedinice. U pojedinačnim dijelovima možete pronaći detaljan opis koraka.

1. Umetanje bežične jedinice
2. Registracija alata za usisivač prašine
3. Pokretanje funkcije aktivacije bežične jedinice

Umetanje bežične jedinice

Dodatni pribor

⚠ OPREZ: Prilikom umetanja bežične jedinice postavite alat na ravnu i čvrstu površinu.

NAPOMENA: Očistite prašinu i prljavštinu s alata prije nego što umetnete bežičnu jedinicu. Prašina ili prljavština mogu prouzročiti kvar ako prođu u otvor bežične jedinice.

NAPOMENA: Kako biste spriječili kvar prouzročen statikom dodirnite materijal sa statičkim pražnjenjem, kao što je metalni dio alata, prije nego što uzmete bežičnu jedinicu.

NAPOMENA: Pri umetanju bežične jedinice uvijek provjerite je li bežična jedinica umetnuta u pravilnom smjeru i je li poklopac potpuno zatvoren.

1. Otvorite poklopac na alatu kako je prikazano na slici.

► **SI.35:** 1. Poklopac

2. Umetnite bežičnu jedinicu u utor, a zatim zatvorite poklopac.

Pri umetanju bežične jedinice poravnajte izbočine s udubljenim dijelovima utora.

► **SI.36:** 1. Bežična jedinica 2. Izbočina 3. Poklopac 4. Udubljeni dio

Kada uklanjate bežičnu jedinicu, polako otvorite poklopac. Kuke sa stražnje strane poklopca podignut će bežičnu jedinicu dok povlačite poklopac.

► **SI.37:** 1. Bežična jedinica 2. Kuka 3. Poklopac

Nakon uklanjanja bežične jedinice pohranite je u priloženoj kutiji ili antistatičkom spremniku.

NAPOMENA: Uvijek se koristite kukama sa stražnje strane poklopca pri uklanjanju bežične jedinice. Ako kuke ne zahvate bežičnu jedinicu, potpuno zatvorite poklopac i polako ga ponovno otvorite.

Registracija alata za usisivač prašine

NAPOMENA: Za registraciju alata potreban je usisivač prašine Makita koji podržava funkciju aktivacije bežične jedinice.

NAPOMENA: Prije registracije alata umetnite bežičnu jedinicu u alat.

NAPOMENA: Tijekom registracije alata nemojte povlačiti uključno/isključnu sklopku ili uključivati sklopku napajanja usisivača prašine.

NAPOMENA: Pogledajte i priručnik s uputama za usisivač prašine.

Ako želite aktivirati usisivač prašine zajedno s funkcijom prebacivanja alata, najprije dovršite registraciju alata.

1. Umetnite baterije u usisivač prašine i alat.

2. Postavite prekidač za stanje pripravnosti na usisivaču prašine na „AUTO”.

► **SI.38:** 1. Prekidač za stanje pripravnosti

3. Pritisnite gumb za aktivaciju bežične jedinice na usisivaču prašine i držite 3 sekunde dok žaruljica aktivacije bežične jedinice ne počne treperiti zeleno. Zatim na isti način pritisnite gumb za aktivaciju bežične jedinice na alatu.

► **SI.39:** 1. Gumb za aktivaciju bežične jedinice 2. Žaruljica za aktivaciju bežične jedinice

Ako su usisivač prašine i alat uspješno povezani, žaruljice za aktivaciju bežične jedinice zasvijetlit će zeleno u trajanju od 2 sekunde i početi treperiti plavo.

NAPOMENA: Žaruljice aktivacije bežične jedinice prestat će treperiti zeleno nakon 20 sekundi. Pritisnite gumb za aktivaciju bežične jedinice na alatu dok na usisivaču treperi žaruljica aktivacije bežične jedinice. Ako žaruljica aktivacije bežične jedinice ne treperi zeleno, nakratko ponovno pritisnite i držite gumb za aktivaciju bežične jedinice.

NAPOMENA: Ako registrirate jedan ili više alata za jedan usisivač prašine, provedite registraciju pojedinačno.

Pokretanje funkcije aktivacije bežične jedinice

NAPOMENA: Prije aktivacije bežične jedinice dovršite registraciju alata za usisivač prašine.

NAPOMENA: Pogledajte i priručnik s uputama za usisivač prašine.

Nakon što registrirate alat za usisivač prašine, usisivač prašine automatski radi s funkcijom prebacivanja alata.

1. Postavite bežičnu jedinicu na alat.

2. Priključite crijevo usisivača prašine na alat.

► **SI.40**

3. Postavite prekidač za stanje pripravnosti na usisivaču prašine na „AUTO”.

► **SI.41:** 1. Prekidač za stanje pripravnosti

4. Kratko pritisnite gumb za aktivaciju bežične jedinice na alatu. Žaruljica za aktivaciju bežične jedinice zatrepit će plavo.

► **SI.42:** 1. Gumb za aktivaciju bežične jedinice 2. Žaruljica za aktivaciju bežične jedinice

5. Povucite uključno/isključnu sklopku na alatu. Provjerite radi li usisivač prašine dok se povlači uključno/isključna sklopka.

Kako biste prekinuli aktivaciju bežične jedinice usisivača prašine, pritisnite gumb za aktivaciju bežične jedinice na alatu.

NAPOMENA: Žaruljica za aktivaciju bežične jedinice na alatu prestat će treperiti plavo ako nema aktivnosti u trajanju od 2 sata. U tom slučaju postavite prekidač za stanje pripravnosti na „AUTO” i ponovno pritisnite gumb za aktivaciju bežične jedinice.

NAPOMENA: Usisivač prašine pokreće se ili zauzima s odgodom. Postoji vremenska odgoda ako usisivač prašine otkrije funkciju prebacivanja na alatu.







NAPOMENA: Udaljenost prijenosa bežične jedinice može varirati ovisno o lokaciji i okolnim uvjetima.

NAPOMENA: Ako je jedan ili više alata registriran za jedan usisivač prašine, usisivač prašine može se pokrenuti čak i ako ne povučete uključno/isključnu sklopku jer drugi korisnik upotrebljava funkciju aktivacije bežične jedinice.

Opis statusa žaruljice za aktivaciju bežične jedinice

► **SI.43:** 1. Žaruljica za aktivaciju bežične jedinice

Žaruljica za aktivaciju bežične jedinice prikazuje status funkcije aktivacije bežične jedinice. Značenje statusa žaruljice možete pogledati u tablici u nastavku.

Status	Žaruljica za aktivaciju bežične jedinice				Opis
	Boja	 Uključeno	 Treperi	Trajanje	
Stanje pripravnosti	Plavo			2 sata	Dostupna je aktivacija bežične jedinice usisivača prašine. Žaruljica se automatski isključuje ako nema aktivnosti u trajanju od 2 sata.
				Kad alat radi.	Dostupna je aktivacija bežične jedinice usisivača prašine i alat radi.
Registracija alata	Zeleno			20 sekundi	Spremno za registraciju alata. Čekanje na registraciju od usisivača prašine.
				2 sekunde	Registracija alata je dovršena. Žaruljica za aktivaciju bežične jedinice zatreperit će plavo.
Poništavanje registracije alata	Crveno			20 sekundi	Spremno za poništavanje registracije alata. Čekanje na poništavanje od usisivača prašine.
				2 sekunde	Poništenje registracije alata je dovršeno. Žaruljica za aktivaciju bežične jedinice zatreperit će plavo.
Ostalo	Crveno			3 sekunde	Uspostavlja se napajanje bežične jedinice i pokreće se funkcija aktivacije bežične jedinice.
	Isključeno	-	-	-	Zaustavljena je aktivacija bežične jedinice usisivača prašine.

Poništavanje registracije alata za usisivač prašine

Pri poništavanju registracije alata za usisivač prašine izvedite sljedeće korake.

1. Umetnite baterije u usisivač prašine i alat.
2. Postavite prekidač za stanje pripravnosti na usisivaču prašine na „AUTO“.

► **SI.44:** 1. Prekidač za stanje pripravnosti

3. Pritisnite gumb za aktivaciju bežične jedinice na usisivaču prašine i držite 6 sekundi. Žaruljica za aktivaciju bežične jedinice najprije treperi zeleno, a zatim crveno. Nakon toga, na isti način pritisnite gumb za aktivaciju bežične jedinice na alatu.

► **SI.45:** 1. Gumb za aktivaciju bežične jedinice
2. Žaruljica za aktivaciju bežične jedinice

Ako je poništavanje bilo uspješno, žaruljice za aktivaciju bežične jedinice zasvijetlit će crveno u trajanju od 2 sekunde i početi treperiti plavo.

NAPOMENA: Žaruljice aktivacije bežične jedinice prestat će treperiti crveno nakon 20 sekundi. Pritisnite gumb za aktivaciju bežične jedinice na alatu dok na usisivaču treperi žaruljica aktivacije bežične jedinice. Ako žaruljica aktivacije bežične jedinice ne treperi crveno, nakratko ponovno pritisnite i držite gumb za aktivaciju bežične jedinice.

Rješavanje problema funkcije aktivacije bežične jedinice

Prije nego zatražite popravak, sami pregledajte stroj. Ako pronađete problem za koji ne postoji objašnjenje u uputama, nemojte pokušavati rastaviti alat. Umjesto toga obratite se ovlaštenom servisnom centru tvrtke Makita koji za popravke uvijek koristi zamjenske dijelove tvrtke Makita.

Stanje nepravilnosti	Mogući uzroci (kvar)	Otklanjanje problema
Žaruljica za aktivaciju bežične jedinice ne svijetli/treperi.	Bežična jedinica nije umetnuta u alat. Bežična jedinica nije ispravno umetnuta u alat.	Ispravno umetnite bežičnu jedinicu.
	Priključak bežične jedinice i/ili utor su zaprljani.	Nježno obrišite prašinu i prljavštinu s priključka bežične jedinice i očistite utor.
	Nije pritisnut gumb za aktivaciju bežične jedinice na alatu.	Kratko pritisnite gumb za aktivaciju bežične jedinice na alatu.
	Prekidač za stanje pripravnosti na usisivaču prašine nije postavljen na „AUTO“.	Postavite prekidač za stanje pripravnosti na usisivaču prašine na „AUTO“.
	Nije uspostavljeno napajanje	Uspostavite napajanje alata i usisivača prašine.
Nije moguće uspješno dovršiti registraciju alata / poništiti registraciju alata.	Bežična jedinica nije umetnuta u alat. Bežična jedinica nije ispravno umetnuta u alat.	Ispravno umetnite bežičnu jedinicu.
	Priključak bežične jedinice i/ili utor su zaprljani.	Nježno obrišite prašinu i prljavštinu s priključka bežične jedinice i očistite utor.
	Prekidač za stanje pripravnosti na usisivaču prašine nije postavljen na „AUTO“.	Postavite prekidač za stanje pripravnosti na usisivaču prašine na „AUTO“.
	Nije uspostavljeno napajanje	Uspostavite napajanje alata i usisivača prašine.
	Neispravan rad	Kratko pritisnite gumb za aktivaciju bežične jedinice i ponovno izvedite postupak registracije alata / poništavanja registracije alata.
	Alat i usisivač prašine previše su međusobno udaljeni (izvan raspona prijenosa).	Približite alat i usisivač prašine jedan drugom. Maksimalna udaljenost prijenosa iznosi otprilike 10 m, ali može varirati ovisno o uvjetima rada.
	Prije dovršetka registracije alata / poništavanja registracije alata; - povučena je uključno/isključna sklopka na alatu ili; - uključena je sklopka napajanja na usisivaču prašine.	Kratko pritisnite gumb za aktivaciju bežične jedinice i ponovno izvedite postupak registracije alata / poništavanja registracije alata.
	Postupak registracije za alat ili usisivač prašine nije dovršen.	Istodobno provedite postupak registracije za alat i za usisivač prašine.
	Radijske smetnje od drugih uređaja stvaraju visokointenzivne radiovalove.	Držite alat i usisivač prašine podalje od uređaja kao što su Wi-Fi uređaji i mikrovalne pećnice.
Usisivač prašine ne radi zajedno s funkcijom prebacivanja alata.	Bežična jedinica nije umetnuta u alat. Bežična jedinica nije ispravno umetnuta u alat.	Ispravno umetnite bežičnu jedinicu.
	Priključak bežične jedinice i/ili utor su zaprljani.	Nježno obrišite prašinu i prljavštinu s priključka bežične jedinice i očistite utor.
	Nije pritisnut gumb za aktivaciju bežične jedinice na alatu.	Kratko pritisnite gumb za aktivaciju bežične jedinice i uvjerite se da žaruljica za aktivaciju bežične jedinice treperi plavo.
	Prekidač za stanje pripravnosti na usisivaču prašine nije postavljen na „AUTO“.	Postavite prekidač za stanje pripravnosti na usisivaču prašine na „AUTO“.
	Na usisivač prašine registrirano je više od 10 alata.	Ponovno provedite registraciju alata. Ako je za usisivač prašine registrirano više od 10 alata, alat koji je prvi registriran bit će automatski poništen.
	Usisivač prašine izbrisao je sve registracije alata.	Ponovno registrirajte alat.
	Nije uspostavljeno napajanje	Uspostavite napajanje alata i usisivača prašine.
	Alat i usisivač prašine previše su međusobno udaljeni (izvan raspona prijenosa).	Približite alat i usisivač prašine jedan drugom. Maksimalna udaljenost prijenosa iznosi otprilike 10 m, ali može varirati ovisno o uvjetima rada.
	Radijske smetnje od drugih uređaja stvaraju visokointenzivne radiovalove.	Držite alat i usisivač prašine podalje od uređaja kao što su Wi-Fi uređaji i mikrovalne pećnice.
Usisivač prašine radi dok nije povučena uključno/isključna sklopka.	Drugi korisnici upotrebljavaju funkciju aktivacije bežične jedinice usisivača prašine na svojim alatima.	Isključite gumb za aktivaciju bežične jedinice na drugim alatima ili poništite registraciju alata na drugim alatima.

ODRŽAVANJE

⚠OPREZ: Prije svih zahvata na stroju provjerite jeste li isključili stroj i uklonili bateriju.

⚠OPREZ: Očistite gornje i donje štitnike kako biste se uvjerali da nema nakupljene piljevine koja može ometati rad donjeg sustava štitnika. Prijavim sustavom štitnika može se ograničiti ispravan rad, što može uzrokovati ozbiljne tjelesne ozljede. Najučinkovitiji je način čišćenja uz pomoć komprimiranog zraka. **Ako se iz štitnika ispuhuje piljevina, svakako upotrijebite odgovarajuću zaštitu za oči i dišne putove.**

⚠OPREZ: Nakon svake upotrebe obrišite piljevinu s alata. Sitna piljevina može ući u alat i prouzročiti kvar ili požar.

NAPOMENA: Nikada nemojte koristiti benzin, mješavinu benzina, razrjeđivač, alkohol ili slično. Kao rezultat toga može se izgubiti boja, pojaviti deformacija ili pukotine.

Da biste zadržali SIGURNOST I POUZDANOST proizvoda, održavanje ili namještanja trebali biste prepustiti ovlaštenim servisnim ili tvorničkim centrima tvrtke Makita; uvijek rabite originalne rezervne dijelove.

Prilagođavanje preciznosti reza od 0° ili 45°

Ovo podešavanje obavljeno je u tvornici. No, ako nije točno, možete je podesiti sljedećim postupkom.

1. Otpustite stezne vijke s prednje i stražnje strane alata tako da možete promijeniti kut nagiba. Postavite graničnik u položaj kuta nagiba 0° – 45° ako želite namjestiti preciznost rezanja od 45°.

► **Sl.46:** 1. Stezni vijak 2. Zapor

2. Postavite postolje okomito ili 45° u odnosu na list kružne pile s pomoću trokuta okretanjem vijka za podešavanje imbus ključem. Možete koristiti i kvadratno ravnalo za namještanje kuta od 0°.

► **Sl.47:** 1. Trokutno ravnalo

► **Sl.48:** 1. Vijak za podešavanje kuta od 0° 2. Vijak za podešavanje kuta od 45°

3. Zategnite stezne vijke i obavite probni rez da biste provjerili jeste li postigli željeni kut.

Podešavanje paralelnosti

⚠OPREZ: Pazite na točnost paralelnosti. U suprotnom list kružne pile može zarezati vodilice, a oštećene vodilice mogu prouzročiti ozljede.

Ovo podešavanje obavljeno je u tvornici. No, ako nije točno, možete je podesiti sljedećim postupkom.

1. Postavite alat na maksimalnu dubinu rezanja.

2. Sve ručice i vijci moraju obvezno biti zategnuti.

3. Otpustite vijke kako je prikazano na slici.

4. Pri otvaranju donjeg štitnika, pomaknite stražnji dio osnovne ploče tako da udaljenost između A i B bude jednaka.

► **Sl.49:** 1. Vijak 2. Osnovna ploča

5. Zategnite vijke i obavite probni rez za provjeru paralelnosti.

DODATNI PRIBOR

⚠OPREZ: Ovaj dodatni pribor ili priključci preporučuju se samo za upotrebu s alatom Makita navedenim u ovom priručniku. Upotreba bilo kojeg drugog dodatnog pribora ili priključaka može prouzročiti ozljede. Upotrebljavajte dodatni pribor ili priključak samo za njegovu navedenu svrhu.

Ako vam je potrebna pomoć za više detalja u pogledu ovih dodatnih pribora, obratite se najbližem Makita servisnom centru.

- List kružne pile
- Paralelni graničnik (paralelna vodilica)
- Kuka
- Vodilice
- Vodilica za kutni rez
- Stezaljka
- Traka
- Gumena traka
- Traka za određivanje položaja
- Mlaznica za prašinu
- Imbus ključ
- Bežična jedinica
- Izvorna Makita baterija i punjač

NAPOMENA: Neke stavke iz popisa se mogu isporučiti zajedno sa strojem kao standardni dodatni pribori. Oni mogu biti različiti ovisno o zemlji.

СПЕЦИФИКАЦИИ

Модел:		HS004G
Дијаметар на сечилото		185 мм - 190 мм
Макс. длабочина на сечење	на 0°	60,0 мм - 62,5 мм
	на косина од 45°	43,0 мм - 44,5 мм
	на косина од 48°	41,0 мм - 42,0 мм
Брзина без оптоварување		6.000 мин. ⁻¹
Номинален напон		D.C. 36 V - 40 V максимално
Вкупна должина	со BL4025	322 мм
	со BL4040	337 мм
Нето тежина		4,4 - 4,7 кг

- Поради нашата континуирана програма за истражување и развој, спецификациите тука подлежат на промена без најава.
- Спецификациите и касетата за батеријата може да се разликуваат од држава до држава.
- Тежината може да се разликува во зависност од додатоците, вклучувајќи ја и касетата за батерија. Најлесната и најтешката комбинација, согласно процедурата на ЕПТА 01/2014 (Европската асоцијација за електрични алати), се прикажани во табелата.

Применлива касета за батерија и полнач

Касета за батерија	BL4025 / BL4040
Полнач	DC40RA

- Некои од касетите за батерии и полначите наведени погоре може да не се достапни зависно од регионот во кој живеете.

▲ ПРЕДУПРЕДУВАЊЕ: Користете ги само касетите за батерии и полначите наведени погоре. Користењето какви било поинакви касети за батерии и полначи може да создаде ризик од повреда и/или пожар.

Наменета употреба

Алатот е наменет за извршување надолжни и накрсни, прави и коси засеци со агли во дрво додека е во цврст допир со работниот материјал. Со соодветни оригинални сечила на Makita, исто така може да се сечат и други материјали.

Бучава

Типична А-вредност за ниво на бучавата одредена во согласност со EN62841-2-5:
 Ниво на звучниот притисок (L_{pA}) : 93 dB (A)
 Ниво на јачина на звукот (L_{WA}) : 104 dB (A)
 Отстапување (K): 3 dB (A)

НАПОМЕНА: Номиналната вредност(и) за емисија на бучава е измерена во согласност со стандардни методи за испитување и може да се користи за споредување алати.

НАПОМЕНА: Номиналната вредност(и) за емисија на бучава може да се користи и како прелиминарна процена за изложеност.

▲ ПРЕДУПРЕДУВАЊЕ: Носете заштита за ушите.

▲ ПРЕДУПРЕДУВАЊЕ: Емисијата на бучава при фактичкото користење на алатот може да се разликува од номиналната вредност(и), зависно од начинот на којшто се користи алатот, особено од тоа како вид работен материјал се обработува.

▲ ПРЕДУПРЕДУВАЊЕ: Погрижете се да ги утврдите безбедносните мерки за заштита на лицето кое ракува со алатот врз основа на процена на изложеноста при фактичките услови на употреба (земајќи ги предвид сите делови на работниот циклус, како периодите кога електричниот алат е исклучен и кога работи во празен од, не само кога е активен).

Вибрации

Вкупна вредност на вибрациите (векторска сума на три оски) одредена во согласност со EN62841-2-5:
 Работен режим: сечење дрво
 Ширење вибрации ($a_{h,w}$) : 2,5 м/с² или помалку
 Отстапување (K): 1,5 м/с²
 Работен режим: сечење метал
 Ширење вибрации ($a_{h,m}$) : 2,5 м/с² или помалку
 Отстапување (K): 1,5 м/с²

НАПОМЕНА: Вкупната вредност(и) на номиналната јачина на вибрациите е измерена во согласност со стандардни методи за испитување и може да се користи за споредување алати.

НАПОМЕНА: Вкупната вредност(и) на номиналната јачина на вибрациите може да се користи и како прелиминарна процена за изложеност.

▲ ПРЕДУПРЕДУВАЊЕ: Јачината на вибрациите при фактичкото користење на алатот може да се разликува од номиналната вредност(и), зависно од начинот на којшто се користи алатот, особено од тоа како вид работен материјал се обработува.

▲ ПРЕДУПРЕДУВАЊЕ: Погрижете се да ги утврдите безбедносните мерки за заштита на лицето кое ракува со алатот врз основа на процена на изложеноста при фактичките услови на употреба (земајќи ги предвид сите делови на работниот циклус, како периодите кога електричниот алат е исклучен и кога работи во празен од, не само кога е активен).

Декларација за сообразност од ЕУ

Само за земјите во Европа

Декларацијата за сообразност од ЕУ е вклучена во Додаток А од упатствата за корисникот.

БЕЗБЕДНОСНИ ПРЕДУПРЕДУВАЊА

Општи упатства за безбедност за електричните алати

▲ ПРЕДУПРЕДУВАЊЕ: Прочитајте ги сите безбедносни предупредувања, упатства, илустрации и спецификации дадени со електричниот алат. Ако не се почитуваат сите упатства наведени подолу, може да дојде до струен удар, пожар и/или сериозни повреди.

Чувајте ги сите предупредувања и упатства за да може повторно да ги прочитате.

Под терминот „електричен алат“ во предупредувањата се мисли на вашиот електричен алат кој работи на струја (со кабел) или на батерии (безжично).

Безбедносни предупредувања за безжичната циркуларна пила

Процедури за сечење

- ▲ ОПАСНОСТ:** Држете ги рацете подалеку од местото каде што се сече и од сечилото. Држете ја другата рака на помошната дршка или на куќиштето на моторот. Ако пилата се држи со двете раце, сечилото не може да ги исече.
- Не посегнувајте под работниот материјал. Заштитникот не може да ве заштити од сечилото под работниот материјал.

- Нагодете ја дебелината на засекот со дебелината на работниот материјал. Помалку од еден цел забец од запците на сечилото треба да е видлив под работниот материјал.
- При сечење, никогаш не држете го работниот материјал во рацете или преку ногата. Причврстете го работниот материјал на стабилна површина. Важно е правилно да се поддржува работниот материјал за сведување на минимум на изложеноста на телото, лепење на сечилото или губење контрола.
- Сл.1**
- Држете го алатот за изолираните држачи кога вршите работи каде што алатот за сечење може да дојде во допир со скриени жици. Ако дојде до допир со жица под напон, струјата може да се пренесе до металните делови на алатот и да предизвика струен удар на операторот.
- Кога вршите отсекување, секогаш користете ја заштитната пречка или водилка со рамен раб. Со тоа ќе се подобри прецизноста на сечењето и ќе се намали шансата за лепење на сечилото.
- Секогаш користете сечила со правилна големина и облик (дијамантски наспроти кружни) на дупчињата за причврстување. Сечилата што не се совпаѓаат со монтажниот хардвер на пилата ќе работат надвор од центарот, предизвикувајќи губење контрола.
- Никогаш не користете оштетени или неправилни подлошки и завртки за сечилото. Подлошките и завртката за сечилото се специјално дизајнирани за вашата пила, за оптимална изведба и безбедност при работата.

Предизвикување повратен удар и придружни предупредувања

- повратен удар е ненадејна реакција на сечилото на пилата заради негово зафаќање, заглавување или неправилно порамнување што предизвикува пилата неконтролирано да се подигне нагоре и надвор од работниот материјал кон операторот;
 - кога сечилото е зафатено или цврсто заглавено со затворање на засекот, тоа запира, а реакцијата на моторот го враќа уредот брзо наназад кон операторот;
 - ако сечилото се извита или е погрешно порамнето во засекот, забите на задниот раб на сечилото може да се вкопаат во горната површина на дрвото предизвикувајќи сечилото да се подигне над засекот и да отскокне наназад кон операторот.
- Повратниот удар е резултат од неправилна употреба на алатот и/или неправилни работни постапки и услови и може да се избегне со преземање соодветни мерки на претпазливост, како што е наведено подолу.

- Држете го алатот цврсто со двете раце на пилата и поставете ги рацете, така што ќе даваат отпор на силата на повратните удари. Поставете го телото од која било од страните на сечилото, но не во линија со сечилото. Пилата може да отскокне наназад заради повратниот удар, но операторот може да ја контролира силата на повратните удари ако се преземат соодветните мерки на претпазливост.

2. Кога сечилото ќе се заглави, или кога се прекинува сечењето заради каква било причина, отпуштете го прекинувачот за активирање и оставете ја пилата без да ја движите во работниот материјал додека сечилото не застане целосно. Не обидувајте се да ја извадите пилата од резот или да ја повлечувате назад додека се движи, инаку може да дојде до повратен удар. Испитајте и преземете мерки за отстранување на причините за лепење на сечилото.
3. Кога ја рестартирате пилата во работниот материјал, поставете го ножот за пилата во засекот и осигурете се дека запците на пилата не се допираат со материјалот. Ако ножот за пилата се залепи, може да се придвижи нагоре или да предизвика повратен удар од работниот материјал при рестартирање на пилата.
4. Прицврстете ги плочите или материјалите што се преголеми за да го намалите ризикот од заглавување на сечилото и повратен удар. Големи парчиња материјал обично се виткаат од сопствената тежина. Прицврстувачите мора да бидат поставени под плочата од обете страни, во близина на линијата на сечење и во близина на работ на плочата.

► Сл.2

► Сл.3

5. Не користете истапени или оштетени сечила. Ненаострените или неправилно поставените сечила создаваат тесен засек со тоа создавајќи прекумерно триење, лепење на сечилото и повратен удар.
6. Дебелината на сечилото и рачките за нагудување и блокирање на косината мора да бидат добро прицврстени и обезбедени пред да се пристапи кон сечење. Ако нагудувањето на сечилото се менува за време на сечењето, може да дојде до лепење на сечилото и повратен удар.
7. Бидете многу внимателни кога сечете во постоечки ѕидови или други слепи области. Сечилото што стрчи може да засече предмети што може да предизвикаат повратен удар.
8. СЕКОГАШ цврсто држете го алатот со двете раце. НИКОГАШ не ставајте ја дланката, ногата или дел од телото под основата на алатот или зад пилата, особено кога правите паралелни засеци. Ако дојде до повратен удар, пилата може лесно да отскокне назад преку вашата рака што може да доведе до тешка телесна повреда.

► Сл.4

9. Никогаш не туркајте ја пилата со прекумерна сила. Туркајте ја пилата напред со брзина при која сечилото сече без забавување. Ако ја туркате пилата со прекумерна сила, може да дојде до нерамни засеци, губење на прецизноста и можен повратен удар.

Функција на заштитникот

1. Проверувајте дали долниот заштитник е затворен правилно пред секоја употреба. Не ракувајте со пилата ако долниот заштитник не се движи слободно и не се затвори веднаш. Никогаш немојте да го пристегнувате или заврзувате долниот заштитник во отворена положба. Ако пилата ненадејно падне, долниот заштитник може да се свитка. Подигнете го долниот заштитник со повлекување на дршката и осигурете се дека се движи слободно и не го допира сечилото или некој друг дел, во сите агли и дебелини на сечењето.

2. Проверете дали работи пружината на долниот заштитник. Ако заштитникот и пружината не работат правилно, тие мора да се сервисираат пред да се користат. Долниот заштитник може да работи бавно заради оштетени делови, лепливи наслаги или насобран отпаден материјал.
3. Долниот заштитник може да се повлече рачно само за специјални засеци како што се „потопни засеци“ и „сложени засеци“. Подигнете го долниот заштитник со повлекување на рачката и штом сечилото ќе навлезе во материјалот, долниот заштитник мора да се отпушти. За сите други видови сечење, долниот заштитник треба да работи автоматски.
4. Секогаш внимавајте долниот заштитник да го покрива сечилото пред да ја поставите пилата на масата или на подот. Незаштитеното сечило ќе предизвика пилата да се придвижи на назад, сечејќи се што е на патот. Имајте го предвид времето потребно за сечилото да запре откако прекинувачот ќе се отпушти.
5. За да го проверите долниот заштитник, отворете го рачно, потоа отпуштете го и набљудувајте како се затвора. Исто така, уверете се дека рачката при повлекувањето не го допира кукиштето на алатот. Оставањето на сечилото незащитено е МНОГУ ОПАСНО и може да доведе до тешка телесна повреда.

Дополнителни безбедносни предупредувања

1. Особено бидете внимателни кога сечете влажно дрво, дрвени материјали обработувани под притисок или дрва со глуждови. Одржувајте лесно напредување со алатот без намалување на брзината на сечилото за да избегнете презагревање на врвовите на сечилото.
2. Не обидувајте се да го тргнете работниот материјал додека сечилото е во движење. Почekaјте сечилото да запре пред да го фатите исечениот материјал. Тркалото запира постепено откако ќе се исклучи.
3. Избегнувајте сечење шајки. Проверете и извадете ги сите шајки од дрвените елементи пред сечењето.
4. Поставете го поширокиот дел на основата на пилата врз оној дел на работниот материјал кој е стабилно прицврстен, а не врз делот кој ќе отпадне откако ќе се изврши сечењето. Ако работниот материјал е краток или мал, прицврстете го со стега. НЕ ОБИДУВАЈТЕ СЕ ДА ГИ ДРЖИТЕ КРАТКИТЕ ПАРЧИЊА СО РАКА!

► Сл.5

5. Пред да го спуштите алатот по завршувањето на сечењето, осигурете се дека заштитникот се затворил и сечилото целосно запрело.
6. Никогаш не обидувајте се да сечете со циркуларната пила превртена наопаку, прицврстена со менгема. Тоа е многу опасно и може да доведе до сериозни несреќи.

► Сл.6

7. Некои материјали содржат хемикалии што можат да бидат отровни. Избегнувајте вдишување на прашината и избегнувајте контакт на прашината со кожата. Следете ги упатствата од производителот на материјалот.

8. Не сопирајте ги сечилата со латерален притисок врз сечилото на пилата.
 9. Не користете никакви абразивни тркала.
 10. Користете само сечило на пила со дијаметар што е означен на алатот или назначен во прирачникот. Употребата на сечило со неправилни димензии може да влијае врз правилната заштита или работењето на сечилото или заштитникот, што може да резултира со тешка телесна повреда.
 11. Чувајте го сечилото остро и чисто. Наслагите и дрвените отпадоци кои остануваат залепени на сечилото, ја забавуваат пилата и го зголемуваат потенцијалот за повратен удар. Одржувајте го сечилото чисто прво вадејќи го од алатот, потоа чистејќи го со отстранувач на наслаги, врела вода или керозин. Никогаш немојте да користите бензин.
 12. При користење на алатот, носете заштитна маска за прашина и заштита за слухот.
 13. Секогаш користете нож за пила што е наменет за материјалот што ќе го сечете.
 14. Користете само ножеви за пила што се означени со брзина еднаква или поголема од брзината означена на алатот.
 15. (Само за европските држави) Секогаш користете го сечилото што е во согласност со EN847-1.
 16. Поставете ги алатот и деловите на рамна и стабилна површина. Во спротивно, алатот или деловите може да паднат и да предизвикаат повреда.
5. Не предизвикувајте спој на касетата за батеријата.
 - (1) Не допирајте ги контактите со никаков проводлив материјал.
 - (2) Избегнувајте да ја чувате касетата за батерија во сад со други метални предмети како што се шајки, монети и сл.
 - (3) На изложувајте ја касетата за батеријата на вода или дожд. Краткиот спој на батеријата може да предизвика голем проток на електрична енергија, прегревање, можни изгореници, па дури и пад на напојувањето.
 6. Не складирајте ги алатот и касетата за батеријата на места каде што температурата може да достигне или надминува 50°C.
 7. Не палете ја касетата за батеријата дури и кога е многу оштетена или целосно потрошена. Касетата за батеријата може да експлодира ако се стави во оган.
 8. Не заковувајте ја, сечете ја, фрлајте ја, испуштајте ја касетата за батерија, ниту удирајте ја од тврд предмет касетата за батеријата. Таквото однесување може да резултира со оган, прекумерна топлина или експлозија.
 9. Не користете оштетена батерија.
 10. Содржаните батерии со литиумови јони се подложни на условите во Правилата за опасни предмети. За комерцијален транспорт на пр. од трети лица и посредници, мора да се следат посебните услови на пакувањата или ознаките. При подготовка на предметот кој треба да се испрати, консултирајте се со експерт за опасни материјали. Исто така, следете ги потенцијално подеталните национални правила. Залепете ги со леплива лента или маскирајте ги отворените контакти, а батеријата спакувајте ја, така што нема да се движи слободно во пакувањето.

ЧУВАЈТЕ ГО УПАТСТВОТО.

▲ ПРЕДУПРЕДУВАЊЕ: НЕ ДОЗВОЛУВАЈТЕ удобност или познавањето на производот (стекнати со подолга употреба) да ве наведат да не се придржувате строго до безбедносните правила за овој производ. ЗЛОУПОТРЕБАТА или непочитувањето на безбедносните правила наведени во ова упатство може да предизвикаат тешка телесна повреда.

Важни безбедносни упатства за касетата за батеријата

1. Пред користење на касетата за батеријата, прочитајте ги сите упатства и ознаки за претпазливост на (1) полначот за батеријата, (2) батеријата и (3) производот што ја користи батеријата.
2. Не расклопувајте ја, ниту експериментирајте со касетата за батеријата. Тоа може да резултира со оган, прекумерна топлина или експлозија.
3. Ако оперативното времето станало прекумерно кратко, престанете веднаш со работа. Тоа може да резултира со ризик од прегревање, можни изгореници, па дури и експлозија.
4. Ако електролит навлезе во вашите очи, измијте ги со чиста вода и побарајте медицинска нега веднаш. Тоа може да резултира со губење на вашиот вид.
5. Доколку алатот не се користи подолг временски период, батеријата мора да се извади од алатот.
6. Пред и по употребата, касетата за батеријата може да прими топлина што може да предизвика изгореници или изгореници од ниска температура. Внимавајте како ракувате со жешките касети за батерии.
7. Не допирајте го терминалот на алатот непосредно по употребата бидејќи може да се загрее доволно за да предизвика изгореници.
8. Не дозволувајте деланки, прав или земја да се заглават во терминалите, отворите и жлебовите на касетата за батерија. Тоа може да резултира со слаба изведба или пад на напојувањето на алатот или касетата за батерија.

17. Освен ако алатката не поддржува употреба на електричните далноводи со висок напон во близина, не користете ја касетата за батерија во близина на електричните далноводи со висок напон. Тоа може да резултира со дефект или пад на напојувањето на алатот или касетата за батерија.
9. Безжичниот уред може да создаде електромагнетни полиња (ЕМП), но тие не се штетни за корисникот.
10. Безжичниот уред е прецизен инструмент. Внимавајте да не го испуштите или удриете безжичниот уред.

ЧУВАЈТЕ ГО УПАТСТВОТО.

⚠ВАЖНО: Користете само оригинални батерии на Makita. Користењето неоригинални батерии на Makita или батерии што се изменети може да резултира со распакување на батеријата, предизвикувајќи пожар, телесна повреда и оштетување. Тоа исто така ќе ја поништи гаранцијата на Makita за алатот и полначот на Makita.

Совети за одржување максимален работен век на батеријата

1. Заменете ја касетата за батеријата пред целосно да се испразни. Секогаш запирајте ја работата со алатот и заменете ја касетата за батеријата кога ќе забележите дека алатот дава помала моќност.
2. Никогаш немојте да полните целосно полна касета за батерија. Прекумерното полнење го скратува работниот век на батеријата.
3. Полнете ја касетата за батеријата на собна температура од 10°C - 40°C. Дозволете загреаната касета за батерија да се олади пред да ја ставите на полнење.
4. Кога не ја користите касетата за батерија, извадете ја алатот или полначот.
5. Полнете ја касетата за батеријата доколку не ја користите подолго време (повеќе од шест месеци).
11. Избегнувајте допирање на терминалот на безжичниот уред со голи раце или метални материјали.
12. Секогаш отстранувајте ја батеријата на алатот кога го инсталирате безжичниот уред на него.
13. Кога го отворате капакот на отворот, избегнувајте го местото на кое во отворот може да влезат прав и вода. Секогаш одржувајте го чист влезниот отвор.
14. Секогаш вметнувајте го безжичниот уред во правилната насока.
15. Не притискајте го копчето за активирање на безжичниот уред премногу силно и/или притискајте го копчето со предмет со остар раб.
16. Кога работите, секогаш затворајте го капакот на отворот.
17. Не отстранувајте го безжичниот уред од отворот додека алатот се напојува. Тоа може да предизвика дефект на безжичниот уред.
18. Не отстранувајте ја лепенката на безжичниот уред.
19. Не ставајте лепенка на безжичниот уред.
20. Не оставајте го безжичниот уред на место каде што може да се создаде статички електрицитет или електрична бучава.
21. Не оставајте го безжичниот уред на места подложни на голема топлина, како автомобил што е на сонце.
22. Не оставајте го безжичниот уред на место исполнето со прашина или прав или на место каде што може да се создаде корозивен гас.
23. Ненадејната промена на температурата може да го навлажни безжичниот уред. Не користете го безжичниот уред додека влагата не се исуши целосно.
24. Кога го чистите безжичниот уред, нежно бришете го со сува, мека крпа. Не користете бензин, разредувач, спроводливо средство за подмакување или слично.
25. Кога го складирате безжичниот уред, чувајте го во испорачаната кутија или сад без статика.
26. Не вметнувајте други уреди освен безжичниот уред на Makita во отворот на алатот.
27. Не користете го алатот со оштетен капак на отворот. Водата, правот и нечистотијата што влегуваат во отворот може да предизвикаат дефект.
28. Не влечете го и/или не виткајте го капакот на отворот повеќе отколку што е потребно. Вратете го капакот доколку се извади од алатот.
29. Заменете го капакот на отворот ако се изгуби или оштети.

Важни безбедносни упатства за безжичниот уред

1. Не расклопувајте го или не експериментирајте со безжичниот уред.
2. Држете го безжичниот уред подалеку од мали деца. Доколку случајно се проголта, веднаш побарајте медицинска помош.
3. Користете го безжичниот уред само со алати од Makita.
4. Не изложувајте го безжичниот уред на дожд или влажни услови.
5. Не користете го безжичниот уред на места каде што температурата надминува 50°C.
6. Не работете со безжичниот уред на места каде што во близина има медицински инструменти, како пейсмејкери.
7. Не работете со безжичниот уред на места каде што во близина има автоматски уреди. Доколку работат, автоматските уреди може да развијат дефект или грешка.
8. Не работете со безжичниот уред на места со висока температура или места каде што може да се создаде статички електрицитет или електрична бучава.

ЧУВАЈТЕ ГО УПАТСТВОТО.

ОПИС НА ФУНКЦИИТЕ

⚠ ВНИМАНИЕ: Пред секое нагодување или проверка на алатот, проверувајте дали е исклучен и батеријата е извадена.

Монтирање или отстранување на касетата за батеријата

⚠ ВНИМАНИЕ: Секогаш исклучувајте го алатот пред ставањето или вадењето на касетата за батеријата.

⚠ ВНИМАНИЕ: Држете ги алатот и касетата за батеријата цврсто кога ја монтирате или вадите касетата за батеријата. Ако не ги држите цврсто алатот и касетата за батеријата, тие може да се лизнат од вашите раце и да дојде до нивно оштетување, како и до телесна повреда.

► **Сл.7:** 1. Црвен индикатор 2. Копче 3. Касета за батерија

За да ја извадите касетата за батеријата, повлечете ја од алатот додека го лизгате копчето на предната страна на касетата.

За вметнување на касетата за батеријата, порамнете го јазичето на касетата со жлебот во кукиштето и лизнете го во место. Вметнете ја до крај додека не се блокира во место при што ќе се слушне мало кликување. Ако можете да го видите црвениот индикатор на горната страна од копчето, тоа значи дека не е заклучена целосно во место.

⚠ ВНИМАНИЕ: Секогаш монтирајте ја касетата за батеријата целосно додека црвениот индикатор не се изгасне. Во спротивно, може ненадејно да испадне од алатот предизвикувајќи ви повреда вам или на некој друг околу вас.

⚠ ВНИМАНИЕ: Немојте да ја монтирате касетата за батеријата на сила. Ако касетата не може да се лизне лесно, тоа значи дека не е поставена правилно.

Систем за заштита на алатот/ батеријата

Алатот е опремен со систем за заштита на алатот/ батеријата. Овој систем автоматски го прекинува напојувањето на моторот за да го продолжи работниот век на алатот и на батеријата. Алатот автоматски ќе се исклучи за време на работењето ако тој или батеријата се најдат под еден од следниве услови. Во некои услови, индикаторите ќе се вклучат.

Заштита од преоптоварување

Кога со алатот се работи на начин што предизвикува повлекување прекумерно висока струја, тој автоматски се исклучува. Во таква ситуација, исклучете го алатот и запрете со примената што предизвикала негово преоптоварување. Потоа, повторно вклучете го алатот.

Заштита од прегревавање

Кога алатот или батеријата се прегреани, алатот автоматски ќе запре и ламбата ќе трепка. Во овој случај, оставете ги алатот и батеријата да се оладат пред повторно да го вклучите алатот.











Заштита од прекумерно празнење

Кога капацитетот на батеријата ќе падне на ниско ниво, алатот автоматски се исклучува. Ако производот не работи дури ни кога прекинувачите ќе се вклучат или исклучат, извадете ги батериите од алатот и наполнете ги.

Укажување на преостанатиот капацитет на батеријата

Притиснете го копчето за проверка на касетата за батеријата за укажување на преостанатиот капацитет на батеријата. Индикаторските ламбички светнуваат неколку секунди.

► **Сл.8:** 1. Индикаторски ламбички 2. Копче за проверка

Индикаторски ламбички			Преостанат капацитет
 Запалено	 Исклучено	 Трепка	
			75% до 100%
			50% до 75%
			25% до 50%
			0% до 25%
			Наполнете ја батеријата.
 			Батеријата можеби е неисправна.

НАПОМЕНА: Во зависност од условите на користење и амбиенталната температура, индикацијата може да се разликува во мала мера од реалниот капацитет.

Вклучување

▲ ПРЕДУПРЕДУВАЊЕ: Пред да ја ставите батеријата во алатот, проверете го прекинувачот дали функционира правилно и дали се враќа во положбата „OFF“ кога ќе се отпушти.

▲ ПРЕДУПРЕДУВАЊЕ: НИКОГАШ не оневозможувајте го копчето за блокирање туркајќи го надолу или на друг начин.

Прекинувачот со поништено копче за блокирање може да резултира со ненамерно стартување на алатот и тешка телесна повреда.

▲ ПРЕДУПРЕДУВАЊЕ: НИКОГАШ не користете го алатот ако работи со едноставно повлекување на прекинувачот без да се притисне копчето за блокирање. Прекинувачот што треба да се поправи може да резултира со ненамерно стартување на алатот и тешка телесна повреда. Вратете го алатот во сервисен центар на Makita за соодветна поправка ПРЕД натамошна употреба.

За да се спречи случајно повлекување на прекинувачот, обезбедено е копче за одблокирање. За да го стартувате алатот, притиснете го копчето за одблокирање и притиснете го прекинувачот. Отпуштете го прекинувачот за да спрете.

► **Сл.9:** 1. Прекинувач за стартување 2. Копче за одблокирање

ЗАБЕЛЕШКА: Не повлекувајте го силно прекинувачот без да го притиснете копчето за заклучување. Тоа може да предизвика дефект на прекинувачот.

▲ ВНИМАНИЕ: Алатот започнува да го сопира вртењето на сечилото на циркуларната пила веднаш штом ќе го отпуштите прекинувачот за стартување. Држете го алатот цврсто за да се одговори на реакцијата на сопирачката при отпуштање на прекинувачот за стартување. При ненадејната реакција алатот може да ви падне од рацете и да предизвика лична повреда.

Функција за автоматско менување на брзината




Овој алат има „режим со голема брзина“ и „режим со голем вртежен момент“.

Алатот автоматски го менува работниот режим во зависност од работното оптоварување. Кога работното оптоварување е ниско, алатот ќе работи во „режим со голема брзина“ за побрзо сечење. Кога работното оптоварување е високо, алатот ќе работи во „режим со голем вртежен момент“ за моќно сечење.

► **Сл.10:** 1. Индикатор за режим

Индикаторот за режим светнува зелено кога алатот е во режим на „голем вртежен момент“.

Доколку алатот работи со прекумерно оптоварување, индикаторот за режим ќе трепка зелено. Индикаторот за режим ќе престане да трепка, а потоа ќе светне или ќе се исклучи, доколку го намалите оптоварувањето на алатот.

Статус на индикатор за режим			Работен режим
<input checked="" type="radio"/> Вклучено	<input type="radio"/> Исклучено	<input checked="" type="radio"/> Трепка	
			Режим со голема брзина
			Режим на голем вртежен момент
			Предупредување за преоптоварување

Нагодување на длабочината на сечењето

▲ ВНИМАНИЕ: Откако ќе ја нагодите длабочината за сечење, секогаш затегнете ја рачката.

Отпуштете го лостот на граничникот за длабочина и поместете ја основата нагоре или надолу. На саканата длабочина за сечење, прицврстете ја основата со затегнување на лостот.

За почисти и побезбедни засеци, поставете ја длабочината на сечење, така што нема да стрчи повеќе од еден заб од сечилото под работниот материјал. Користењето соодветна длабочина на сечење помага во намалувањето на потенцијалот за опасни ПОВРАТНИ УДАРИ коишто можат да предизвикаат телесна повреда.

► **Сл.11:** 1. Рачка

Косо сечење

▲ ВНИМАНИЕ: Откако ќе го нагодите аголот на закосеност, секогаш затегнете ги стезните шrafoви.

Олабавете ги стезните шrafoви. Поставете го саканиот агол со соодветно навалување, а потоа цврсто стегнете ги стезните шrafoви.

► **Сл.12:** 1. Стезен шраф

Користете го стопирачот кога изведувате прецизно сечење под агол од 45°. Целосно завртете го стопирачот, како што е покажано на сликата, зависно од тоа дали вршите закосено сечење под агол од 0° - 45° или 0° - 48°.

► **Сл.13:** 1. Стопирач

Нишанење

За рамни засеци, порамнете ја положбата од 0° на предната страна од основата со вашата линија на сечење. За коси засеци под агол од 45°, порамнете ја со положбата од 45°.

► **Сл.14:** 1. Линија за сечење (положба од 0°)
2. Линија за сечење (положба од 45°)

Вклучување на ламбата

⚠ ВНИМАНИЕ: Не гледајте директно во светлината или во изворот на светлина.

За да ја вклучите ламбата кога не работи алатот, повлечете го прекинувачот за стартување без да го притиснете копчето за одблокирање.

За да ја вклучите ламбата кога работи алатот, притиснете го и задржете го копчето за одблокирање и повлечете го прекинувачот за стартување.

Ламбата ќе се исклучи по 10 секунди од отпуштањето на прекинувачот за стартување.

► **Сл.15:** 1. Ламба

НАПОМЕНА: Користете сува крпа за да ја избришете нечистотијата од леќата на ламбата. Внимавајте да не ја изгребете леќата на ламбата затоа што тоа може да го намали осветлувањето.

НАПОМЕНА: Кога ќе се прегрее алатот, ламбата ќе трепка една минута. Во ваков случај, изладете го алатот пред да започнете со работа.

Кука

Опционален прибор

⚠ ВНИМАНИЕ: Секогаш водете ја батеријата кога го закачувате алатот со куката.

⚠ ВНИМАНИЕ: Никогаш не закачувајте го алатот на високи или потенцијално нестабилни локации, како на пример на површините. Во спротивно, алатот може да ја изгуби рамнотежата и да падне.

⚠ ВНИМАНИЕ: Не влечете го алатот надолу кога е прикачен на куката.

Куката е практична за привремено закачување на алатот.

► **Сл.16**

Прикачете ја куката со шрафовите како што е прикажано на сликата.

► **Сл.17:** 1. Кука 2. Шраф

За да ја употребите куката, едноставно вртете ја додека не влезе во отворена положба.

Кога куката не се користи, секогаш вртете ја додека не застане во затворена положба.

► **Сл.18:** 1. Отворена положба 2. Затворена положба

Електрична сопирачка

Алатот е опремен со електрична сопирачка на сечилото. Доколку алатот постојано не успева брзо да го прекине сечилото на циркуларна пила по отпуштање на лостот на прекинувачот, алатот треба да се однесе на сервис во сервисен центар на Makita.

⚠ ВНИМАНИЕ: Системот на сопирачката на сечилото не е замена за штитник на сечилото. НИКОГАШ НЕ КОРИСТЕТЕ ГО АЛАТОТ БЕЗ ФУНКЦИОНАЛЕН ШТИТНИК НА СЕЧИЛОТО. МОЖЕ ДА ДОЈДЕ ДО СЕРИОЗНА ТЕЛЕСНА ПОВРЕДА.

Електронска функција

Алатите опремени со електронска функција се лесни за работа поради следниве функции.

Одлика за меко стартување

Започнете меко заради потиснатиот почетен удар.

СОСТАВУВАЊЕ

⚠ ВНИМАНИЕ: Пред секое дотерување или проверка на алатот, секогаш проверувајте дали е исклучен и батеријата е извадена.

Складирање на имбус-клучот

Кога не се користи, складирајте го имбус-клучот како што е покажано на сликата за да не го изгубите.

► **Сл.19:** 1. Имбус-клуч

Отстранување или поставување сечило на циркуларната пила

⚠ ВНИМАНИЕ: Уверете се дека сечилото на циркуларната пила е монтирано со запците насочени нагоре кон предниот дел на алатот.

⚠ ВНИМАНИЕ: Користете само клуч Makita за ставање или вадење на сечилото на циркуларната пила.

За да го извадите сечилото на циркуларната пила, притиснете ја блокадата на оската целосно, така што сечилото на циркуларната пила не може да се врти и употребете го имбус-клучот за олабавување на шестаголната завртка. Потоа извадете ги имбус-клучот, надворешната фланша, сечилото на циркуларната пила и прстенот (зависно од земјата).

► **Сл.20:** 1. Блокада на оската 2. Имбус-клуч 3. Олабавување 4. Стегнување

За алат без прстен

► **Сл.21:** 1. Шестаголна завртка 2. Надворешна фланша 3. Сечило на циркуларната пила 4. Стрелка на сечилото на циркуларната пила 5. Внатрешна фланша 6. Стрелка на алатот

За алат со прстен

► **Сл.22:** 1. Шестаголна завртка 2. Надворешна фланша 3. Сечило на циркуларната пила 4. Стрелка на сечилото на циркуларната пила 5. Прстен 6. Внатрешна фланша 7. Стрелка на алатот

За да го наместите сечилото на циркуларната пила, следете ја постапката за отстранување по обратен редослед.

Порамнете ја насоката на стрелката на сечилото со стрелката на алатот.

За алат со внатрешна фланша за сечило различно од оние со дијаметар на отворот од 15,88 mm

Внатрешната фланша има одредена испакнатина од дијаметарот на една страна и друга испакнатина на другата страна. Изберете ја правилната страна со испакнатината што идеално одговара на отворот на сечилото. Монтирајте ја внатрешната фланша врз монтажната оска, така што правилната страна со испакнатината на внатрешната фланша да биде свртена на надвор, а потоа поставете ги сечилото и надворешната фланша.

- **Сл.23:** 1. Монтажна оска 2. Внатрешна фланша
3. Сечило на циркуларната пила
4. Надворешна фланша 5. Шестаголна завртка

▲ ПРЕДУПРЕДУВАЊЕ: ВНИМАВАЈТЕ ДОБРО ДА ЈА ЗАТЕГНЕТЕ ШЕСТАГОЛНАТА ЗАВРТКА ВРТЕЈКИ ЈА НАДЕСНО. Исто така, внимавајте да не ја затегнувате завртката со сила. Лизгањето на раката од имбус-клучот може да предизвика телесна повреда.

▲ ПРЕДУПРЕДУВАЊЕ: Осигурете се дека испакнатината „а“ на внатрешната фланша е поставена надвор, идеално одговара на отворот на сечилото „а“. Ако сечилото се монтира на погрешната страна, може да настанат опасни вибрации.

За алат со внатрешна фланша за сечило на пила со дијаметар на отворот од 15,88 mm (зависи од државата)

Монтирајте ја внатрешната фланша на монтажната оска со издадената страна свртена на надвор, а потоа поставете ги сечилото на пилата (ако е потребно, со прицврстениот прстен), надворешната фланша и шестаголната завртка.

За алат без прстен

- **Сл.24:** 1. Монтажна оска 2. Внатрешна фланша
3. Сечило на циркуларната пила
4. Надворешна фланша 5. Шестаголна завртка

За алат со прстен

- **Сл.25:** 1. Монтажна оска 2. Внатрешна фланша
3. Сечило на циркуларната пила
4. Надворешна фланша 5. Шестаголна завртка 6. Прстен

▲ ПРЕДУПРЕДУВАЊЕ: ВНИМАВАЈТЕ ДОБРО ДА ЈА ЗАТЕГНЕТЕ ШЕСТАГОЛНАТА ЗАВРТКА ВРТЕЈКИ ЈА НАДЕСНО. Исто така, внимавајте да не ја затегнувате завртката со сила. Лизгањето на раката од имбус-клучот може да предизвика телесна повреда.

▲ ПРЕДУПРЕДУВАЊЕ: Пред да го монтирате сечилото на вретеното, секогаш бидете сигурни дека помеѓу внатрешната и надворешната фланша е монтиран правилниот прстен за отворот на сечилото за вратилото што планирате да го користите. Ако се користи неправилен прстен за отворот за вратило, може неправилно да се монтира сечилото, и со тоа да се предизвикаат движење и интензивни вибрации на сечилото што може да резултира со губење на контролата за време на работата и тешка телесна повреда.

Чистење на штитникот на ножот

Кога го заменува сечилото на циркуларната пила, исто така исчистете ги горниот и долниот штитник за сечило од насобраните отпадоци како што е опишано во делот Одржување. Тоа не го заменува правилото дека треба секогаш да проверувате дали долниот штитник работи пред секоја употреба.

Поврзување вакуумска смукалка

Кога сакате да извршите чисто сечење, поврзете правосмукалка Makita на вашиот алат. Поврзете го цревето на правосмукалката на распрскувачот на прав како што е покажано на сликата.

- **Сл.26:** 1. Распрскувач на прав 2. Завртка

- **Сл.27:** 1. Црево 2. Правосмукалка

РАБОТЕЊЕ

Овој алат е наменет за сечење дрвени производи. Со соодветни оригинални сечила на циркуларна пила на Makita, може да се сечат и следниве материјали:

- Алуминиумски производи
- Погледнете на нашата веб-страница или контактирајте со локалниот продавач на Makita за да дознаете точно кои сечила на циркуларна пила треба да се користат за материјалот што треба да го сечете.

Проверка на функцијата на штитникот за сечило

Поставете го аголот на закосеност на 0°, а потоа рачно повлечете го долниот штитник до крајот и отпуштете го. Долниот штитник функционира правилно ако;

- е вовлечен над основата без никаква пречка и;
- автоматски се враќа и доаѓа во допир со стопирачот.

- **Сл.28:** 1. Горен штитник 2. Долен штитник
3. Основа 4. Стопирач 5. Отвори
6. Затвори

Ако долниот штитник не функционира правилно, проверете дали во внатрешноста на горниот и долниот штитник се насобрала фина прашина. Ако долниот штитник не функционира правилно дури и по отстранувањето на прашиката, алатот треба да се однесе на сервис во сервисен центар на Makita.

Сечење

▲ ВНИМАНИЕ: Кога вршите сечење, носете маска за прав.

▲ ВНИМАНИЕ: Внимавајте да го движите алатот напред во права линија и нежно. Прекумерната сила или искривувањето на алатот ќе резултира со прегревање на моторот и опасен повратен удар што би можело да доведе до тешки повреди.

НАПОМЕНА: Кога температурата на батеријата е ниска, алатот може да не работи со полн капацитет. Во таков случај, на пример, користете го алатот за полесно сечење одредено време додека батеријата не се загрее до собна температура. Потоа, алатот може да работи со својот полн капацитет.

► Сл.29

Цврсто држете го алатот. Алатот има предна и задна рачка. Користете ги обете за добар фат на алатот. Ако пилата се држи со двете раце, сечилото на циркуларната пила не може да ги исече. Поставете ја основата врз материјалот што ќе го сечете, така што сечилото на циркуларната пила нема да го допира. Потоа, вклучете го алатот и почekaјте додека сечилото на циркуларната пила не достигне максимална брзина. Движете го алатот напред преку површината на работниот материјал, држејќи го рамно и напредувајќи полека додека не заврши пилењето. За чисти засеци, одржувајте ја линијата на пилење права и брзината на напредувањето рамномерна. Ако засекот не ја следи вашата планирана линија на сечење, не обидувајте се да го присилите алатот назад на оригиналната линија. На тој начин може да дојде до лепење на сечилото на циркуларната пила и да се предизвика опасен повратен удар и можна тешка повреда. Отпуштете го прекинувачот, почekaјте сечилото на циркуларната пила да запре и потоа повлечете го алатот. Одново порамнете го алатот на нова линија на сечење и повторно започнете со сечење. Обидувајте се да избегнувате положби кои го изложуваат операторот на распространети отпадници од сечењето што ги исфрла пилата. Користете заштита за очите за да спречите повреда.

Надолжен потпирач (шина-водилка)

▲ ВНИМАНИЕ: Пред употреба, уверете се дека надолжниот граничник е безбедно монтиран во правилната положба. Несоодветен приклучок може да предизвика опасен повратен удар.

- Сл.30: 1. Надолжен потпирач (шина-водилка)
2. Клемаста завртка

Практичниот надолжен граничник овозможува рамно сечење со посебна прецизност. Едноставно притиснете го потпирачот од страната на материјалот и прицврстете го во таа положба со завртката за стегање од предниот дел на основата. Тоа овозможува и изведување прави засеци со еднообразна ширина повеќе пати.

Шина-водилка

Опционален прибор

Ставете го алатот на задната страна од шината-водилка. Завртете ги двата шрафа за нагодување на основата на алатот, така што алатот ќе се лизга мазно без врева. Држете ги цврсто предната дршка и задната рачка од алатот. Вклучете го алатот и пресечете го штитникот од расцепување по целата должина со едно засекување. Сега работ на штитникот од расцепување одговара на работ за сечење.

- Сл.31: 1. Шрафови за нагодување

Кога вршите надолжно косо сечење со шината-водилка, користете го лизгачкиот лост за да спречите паѓање на алатот. Поместете го лизгачкиот лост на основата на алатот во насока на стрелката, така што ќе влезе во жлебот на засекот во шината-водилка.

- Сл.32: 1. Лизгачки лост

Поврзување со јаже (лента за прицврстување)

▲ Посебни безбедносни предупредувања за користење на висина
Прочитајте ги сите безбедносни предупредувања и упатства. Ако не се почитуваат предупредувањата и упатствата, може да дојде до сериозни повреди.

1. Секогаш држете го алатот прицврстен кога работите „на висина“. Максимална должина на јаже е 2 м (6,5 стапки). Максималната дозволена висина на пад на јаже (лентата за прицврстување) не смее да надмине 2 м (6,5 стапки).
2. Користете само јажиња што се соодветни за овој тип алат и проценети за најмалку 7,0 кг (15,4 lbs).
3. Не зацврстувајте го јаже од алатот со ниту еден дел на телото или на подвижните компоненти. Зацврстете го јаже од алатот на цврста структура што може да ги издржи силите на паднатиот алат.
4. Пред употреба, проверете дали јаже е правилно затегнато на секој крај.
5. Пред секоја употреба, проверете дали алатот има оштетувања и дали функционира правилно (вклучувајќи ги платното и шевовите). Не користете ако е оштетен или ако не функционира правилно.
6. Не виткајте ги јажињата ниту дозволувајте да дојдат во допир со остри или груби рабови.
7. Зацврстете го другиот крај од јаже надвор од работниот простор, така што алатот што паѓа ќе биде добро прицврстен.
8. Прикачете го јаже, така што алатот ќе се оддалечи од операторот ако падне. Паднатите алати ќе се нишаат на јаже, што може да предизвика повреда или губење на рамнотежата.
9. Не користете го во близина на подвижни делови или машинерија што работи. Во спротивно, тоа може да резултира со опасност од кршење или заплеткување.
10. Не носете го алатот со додадениот уред или јаже.
11. Пренесувајте го алатот само со рацете додека држите соодветна рамнотежа.
12. Не прикачувајте ги јажињата на алатот на начин што ќе ги спречи штитниците, прекинувачите или одблокирањата да работат правилно.
13. Избегнувајте заглавување во јаже.
14. Држете го јаже настрана од областа каде што се сече со алатот.
15. Користете карабинери со повеќе дејства и со тип шрафови со затворање. Не користете карабинери со едно дејство со клипови со пружини.
16. Во случај кога алатот ќе падне, тој мора да се означи и да се отстрани од работа и треба да го провери фабричкиот или овластениот сервисен центар на Makita.

- Сл.33: 1. Отвор за јаже (лентата за прицврстување)

ФУНКЦИЈА ЗА АКТИВИРАЊЕ НА БЕЗЖИЧНИОТ УРЕД

Што може да направите со функцијата за активирање на безжичниот уред

Функцијата за активирање на безжичниот уред овозможува чисто и удобно работење. Со поврзување на поддржаната вакуумска правосмукалка, таа ќе работи автоматски заедно со менување на работата на алатот.

► Сл.34

За користење на функцијата за активирање на безжичниот уред, подгответе ги следниве ставки:

- безжичен уред (опционален додаток)
- вакуумска правосмукалка што ја поддржува функцијата за активирање на безжичниот уред

Прегледот на поставувањето на функцијата за активирање на безжичниот уред е следниот. Погледнете го секој дел за детални постапки.

1. Инсталирање на безжичниот уред
2. Регистрација на алатот за вакуумска правосмукалка
3. Стартување на функцијата за активирање на безжичниот уред

Инсталирање на безжичниот уред

Опционален прибор

⚠ВАЖНО: Поставете го алатот на рамна и стабилна површина кога го инсталирате безжичниот уред.

ЗАБЕЛЕШКА: Исчистете го правот и нечистотијата на алатот пред да го инсталирате безжичниот уред. Правот или нечистотијата може да предизвикаат дефект доколку дојдат во отворот на безжичниот уред.

ЗАБЕЛЕШКА: За спречување дефект предизвикан од статички електрицитет, допрете материјал за статичко празнење, како метален дел од алатот, пред да го подигнете безжичниот уред.

ЗАБЕЛЕШКА: Кога го инсталирате безжичниот уред, секогаш проверувајте дали тој се вметнува во правилна насока и дали капакот е целосно затворен.

1. Отворете го капакот на алатот како што е покажано на сликата.

► Сл.35: 1. Капак

2. Вметнете го безжичниот уред во отворот и потоа затворете го капакот.

Кога го инсталирате безжичниот уред, порамнете ги издадените делови со вдлабнатите делови на отворот.

- Сл.36: 1. Безжичен уред 2. Издаден дел 3. Капак 4. Вдлабнат дел

Кога го отстранувате безжичниот уред, полака отворајте го капакот. Куките на задниот дел од капакот ќе го подигнат безжичниот уред додека го повлекувате.

- Сл.37: 1. Безжичен уред 2. Кука 3. Капак

По отстранувањето на безжичниот уред, чувајте го во испорачаната кутија или сад без статика.

ЗАБЕЛЕШКА: Секогаш користете ги куките на задниот дел од капакот кога го отстранувате безжичниот уред. Доколку куките на го фатат безжичниот уред, целосно затворете го капакот и потоа повторно отворете го.

Регистрација на алатот за вакуумска правосмукалка

НАПОМЕНА: За регистрација на алатот е потребна вакуумска правосмукалка на Makita што ја поддржува функцијата за активирање на безжичниот уред.

НАПОМЕНА: Завршете го инсталирањето на безжичниот уред на алатот пред да ја стартувате регистрацијата на алатот.

НАПОМЕНА: За време на регистрацијата на алатот не повлекувајте го прекинувачот за стартување или не вклучувајте го прекинувачот за напојување на вакуумската правосмукалка.

НАПОМЕНА: Исто така, погледнете го прирачникот со упатства на вакуумската правосмукалка.

Доколку сакате да ја активирате вакуумската правосмукалка заедно со менувањето на работата на алатот, претходно завршете ја регистрацијата на алатот.

1. Монтирајте ги батериите на вакуумската правосмукалка и алатот.
 2. Поставете го прекинувачот за режим на подготвеност на вакуумската правосмукалка на „AUTO“.
- Сл.38: 1. Прекинувач за режим на подготвеност

3. Држете го копчето за активирање на безжичниот уред на вакуумската правосмукалка 3 секунди додека ламбичката за активирање на безжичниот уред не затрепка зелено. И потоа на ист начин притиснете го копчето за активирање на безжичниот уред на алатот.

- Сл.39: 1. Копче за активирање на безжичниот уред 2. Ламбичка за активирање на безжичниот уред

Доколку вакуумската правосмукалка и алатот се поврзат успешно, ламбичките за активирање на безжичниот уред ќе засветат зелено 2 секунди и ќе почнат да трепкаат сино.

НАПОМЕНА: Ламбичките за безжично активирање ќе престанат да трепкаат зелено по 20 секунди. Притиснете го копчето за безжично активирање на алатот додека трепка ламбичката за безжично активирање на правосмукалката. Доколку ламбичката за безжично активирање не трепка зелено, притиснете го кратко копчето за безжично активирање и повторно задржете го.

НАПОМЕНА: Кога изведувате една или повеќе регистрации на алатот за една вакуумска правосмукалка, завршете ја регистрацијата на алатот едно по едно.

Стартување на функцијата за активирање на безжичниот уред

НАПОМЕНА: Завршете ја регистрацијата на алатот за вакуумската правосмукалка пред активирање на безжичниот уред.

НАПОМЕНА: Исто така, погледнете го прирачникот со упатства на вакуумската правосмукалка.

По регистрирање на алатот на вакуумската правосмукалка, таа ќе работи автоматски заедно со менувањето на работата на алатот.

1. Монтирајте го безжичниот уред на алатот.

2. Поврзете го цревето од вакуумската правосмукалка со алатот.

► **Сл.40**

3. Поставете го прекинувачот за режим на подготвеност на вакуумската правосмукалка на „AUTO“.

► **Сл.41:** 1. Прекинувач за режим на подготвеност

4. Кратко притиснете го копчето за активирање на безжичниот уред на алатот. Ламбичката за активирање на безжичниот уред ќе свети сино.

► **Сл.42:** 1. Копче за активирање на безжичниот уред 2. Ламбичка за активирање на безжичниот уред

5. Повлечете го прекинувачот за стартување на алатот. Проверете дали вакуумската правосмукалка работи додека е повлечен прекинувачот за стартување.

За запирање на активирањето на безжичниот уред на вакуумската правосмукалка, притиснете го копчето за активирање на безжичниот уред на алатот.

НАПОМЕНА: Ламбичката за активирање на безжичниот уред ќе престане да трепка сино кога нема работа 2 часа. Во овој случај, поставете го прекинувачот за режим на подготвеност на вакуумската правосмукалка на „AUTO“ и повторно притиснете го копчето за активирање на безжичниот уред на алатот.

НАПОМЕНА: Вакуумската правосмукалка стартува/запира со задоцнување. Постои временско задоцнување кога вакуумската правосмукалка открива менување на работата на алатот.

НАПОМЕНА: Далечината на пренос на безжичниот уред може да се разликува, зависно од условите на локацијата и околината.

НАПОМЕНА: Кога на вакуумската правосмукалка се регистрирани два или повеќе алати, таа може да почне да работи дури и ако не го повлечете прекинувачот за стартување бидејќи друг корисник ја користи функцијата за активирање на безжичниот уред.

Опис на статусот на ламбичката за активирање на безжичниот уред

► **Сл.43:** 1. Ламбичка за активирање на безжичниот уред

Ламбичката за активирање на безжичниот уред го покажува статусот на функцијата за активирање на безжичниот уред. Погледнете ја табелата подолу за значењето на статусот на ламбичката.

Статус	Ламбичка за активирање на безжичниот уред				Опис
	Боја	<input type="checkbox"/> Вклучено	<input checked="" type="checkbox"/> Трепка	Времетраење	
Режим на готовност	Сино	<input checked="" type="checkbox"/>		2 часа	Активирањето на безжичниот уред на вакуумската правосмукалка е достапно. Ламбичката автоматски ќе се исклучи кога не се извршува работа 2 часа.
		<input type="checkbox"/>		Кога алатот работи.	Активирањето на безжичниот уред на вакуумската правосмукалка е достапно и алатот работи.
Регистрација на алатот	Зелено	<input checked="" type="checkbox"/>		20 секунди	Подготвено за регистрација на алатот. Се чека регистрација од вакуумската правосмукалка.
		<input type="checkbox"/>		2 секунди	Регистрацијата на алатот е завршена. Ламбичката за активирање на безжичниот уред ќе почне да свети сино.
Откажување на регистрацијата на алатот	Црвено	<input checked="" type="checkbox"/>		20 секунди	Подготвено за откажување на регистрацијата на алатот. Се чека откажување од вакуумската правосмукалка.
		<input type="checkbox"/>		2 секунди	Откажувањето на регистрацијата на алатот е завршено. Ламбичката за активирање на безжичниот уред ќе почне да свети сино.
Друго	Црвено	<input type="checkbox"/>		3 секунди	Безжичниот уред се напојува и се стартува функцијата за активирање на безжичниот уред.
	Исклучено	-		-	Активирањето на безжичниот уред на вакуумската правосмукалка е запрено.

Откажување на регистрацијата за вакуумска правосмукалка

Извршете ја следнава постапка кога ја откажувате регистрацијата на алатот за вакуумска правосмукалка.

1. Монтирајте ги батериите на вакуумската правосмукалка и алатот.
2. Поставете го прекинувачот за режим на подготвеност на вакуумската правосмукалка на „АУТО“.
► **Сл.44:** 1. Прекинувач за режим на подготвеност
3. Држете го копчето за активирање на безжичниот уред на вакуумската правосмукалка 6 секунди. Ламбичката за активирање на безжичниот уред трепка зелено, а потоа станува црвена. Потоа на ист начин притиснете го копчето за активирање на безжичниот уред на алатот.
► **Сл.45:** 1. Копче за активирање на безжичниот уред 2. Ламбичка за активирање на безжичниот уред

Доколку откажувањето се изврши успешно, ламбичките за активирање на безжичниот уред ќе засветат црвено 2 секунди и ќе почнат да трепкаат сино.

НАПОМЕНА: Ламбичките за безжично активирање ќе престанат да трепкаат црвено по 20 секунди. Притиснете го копчето за безжично активирање на алатот додека трепка ламбичката за безжично активирање на правосмукалката. Доколку ламбичката за безжично активирање не трепка црвено, притиснете го кратко копчето за безжично активирање и повторно задржете го.

Решавање проблеми на функцијата за активирање на безжичниот уред

Пред да нарачате поправка, прво сами проверете ја состојбата. Ако најдете проблем што не е објаснет во упатството, не обидувајте се да го расклопите алатот. Наместо тоа, побарајте помош од овластените сервисни центри на Makita и секогаш користете делови за замена и поправка од Makita.

Состојба на аномалии	Можна причина (дефект)	Поправка
Ламбичката за активирање на безжичниот уред не свети/трепка.	Безжичниот уред не е инсталиран во алатот. Безжичниот уред е неправилно инсталиран во алатот.	Инсталирајте го безжичниот уред правилно.
	Терминалот на безжичниот уред и/или отворот се валкани.	Нежно избришете ги нечистотијата и правот од безжичниот уред и исчистете го отворот.
	Копчето за активирање на безжичниот уред на алатот не е притиснато.	Кратко притиснете го копчето за активирање на безжичниот уред на алатот.
	Прекинувачот за режим на подготвеност на вакуумската правосмукалка не е поставен на „AUTO“.	Поставете го прекинувачот за режим на подготвеност на вакуумската правосмукалка на „AUTO“.
	Нема напојување	Напојувајте ги алатот и вакуумската правосмукалка.
Регистрацијата на алатот/откажувањето на регистрацијата на алатот не може да се заврши успешно.	Безжичниот уред не е инсталиран во алатот. Безжичниот уред е неправилно инсталиран во алатот.	Инсталирајте го безжичниот уред правилно.
	Терминалот на безжичниот уред и/или отворот се валкани.	Нежно избришете ги нечистотијата и правот од безжичниот уред и исчистете го отворот.
	Прекинувачот за режим на подготвеност на вакуумската правосмукалка не е поставен на „AUTO“.	Поставете го прекинувачот за режим на подготвеност на вакуумската правосмукалка на „AUTO“.
	Нема напојување	Напојувајте ги алатот и вакуумската правосмукалка.
	Неправилна работа	Кратко притиснете го копчето за активирање на безжичниот уред и повторно извршете ја постапката за регистрација/откажување на регистрацијата на алатот.
	Алатот и вакуумската правосмукалка се оддалечени еден од друг (надвор од опсегот за пренос).	Приближете ги алатот и вакуумската правосмукалка еден до друг. Максималната далечина на преносот е околу 10 м, сепак може да се разликува зависно од околностите.
	Пред завршување на регистрацијата/откажувањето на алатот; - прекинувачот за стартување на алатот е повлечен; - копчето за напојување на вакуумската правосмукалка е вклучено.	Кратко притиснете го копчето за активирање на безжичниот уред и повторно извршете ја постапката за регистрација/откажување на регистрацијата на алатот.
	Постапката за регистрација на алатот за алатот или вакуумската правосмукалка не е завршена.	Извршете ги постапките за регистрација на алатот истовремено за алатот и вакуумската правосмукалка.
Радиопречки од други уреди што создаваат радиобранови со висок интензитет.	Држете ги алатот и вакуумската правосмукалка подалеку од уредите како Wi-Fi-уреди и микробранови печки.	

Состојба на аномалии	Можна причина (дефект)	Поправка
Вакуумската правосмукалка не работи заедно со менувањето на работата на алатот.	Безжичниот уред не е инсталиран во алатот. Безжичниот уред е неправилно инсталиран во алатот.	Инсталирајте го безжичниот уред правилно.
	Терминалот на безжичниот уред и/или отворот се валкани.	Нежно избришете ги нечистотијата и правот од безжичниот уред и исчистете го отворот.
	Копчето за активирање на безжичниот уред на алатот не е притиснато.	Притиснете го кратко копчето за активирање на безжичниот уред и осигурете се дека ламбичката за активирање на безжичниот уред трепка сино.
	Прекинувачот за режим на подготвеност на вакуумската правосмукалка не е поставен на „АУТО“.	Поставете го прекинувачот за режим на подготвеност на вакуумската правосмукалка на „АУТО“.
	Повеќе од 10 алати се регистрирани на вакуумската правосмукалка.	Повторно извршете ја регистрацијата на алатот. Ако повеќе од 10 алати се регистрирани на вакуумската правосмукалка, алатот што е регистриран најрано ќе биде откажан автоматски.
	Вакуумската правосмукалка ги избриша сите регистрации на алатот.	Повторно извршете ја регистрацијата на алатот.
	Нема напојување	Напојувајте ги алатот и вакуумската правосмукалка.
	Алатот и вакуумската правосмукалка се оддалечени еден од друг (надвор од опсегот за пренос).	Приближете ги алатот и вакуумската правосмукалка еден до друг. Максималната далечина на преносот е околу 10 м, сепак може да се разликува зависно од околностите.
Радиопречки од други уреди што создаваат радиобранови со висок интензитет.	Држете ги алатот и вакуумската правосмукалка подалеку од уредите како Wi-Fi-уреди и микробранови печки.	
Вакуумската правосмукалка работи додека е не повлечен прекинувачот за стартување.	Други корисници го користат активирањето на безжичниот уред на вакуумската правосмукалка со нивните алати.	Исклучете го копчето за активирање на безжичниот уред на другите алати или откажете ја регистрацијата на алатот на другите алати.

ОДРЖУВАЊЕ

▲ВНИМАНИЕ: Пред секоја проверка или одржување, секогаш проверувајте дали алатот е исклучен и касетата за батеријата е извадена.

▲ВНИМАНИЕ: исчистете ги горниот и долниот штитник за да осигурите да нема насобран прав од сечењето што може да го наруши работењето на долниот заштитен систем. Ако заштитниот систем е нечист, тоа може да го ограничи правилното работење, што може да резултира со тешка телесна повреда. Најефикасниот начин да се изврши ова чистење е со употреба на компримиран воздух. **Ако правот се раздува надвор од штитниците, користете соодветна заштита за очи и дишење.**

▲ВНИМАНИЕ: По секое користење, избришете ја пращината од сечење на алатот. Во алатот може да навлезе фина прашина и да предизвика дефект или пожар.

ЗАБЕЛЕШКА: За чистење, не користете нафта, бензин, разредувач, алкохол или слично. Тие средства ја вадат бојата и може да предизвикаат деформации или пукнатини.

За да се одржи БЕЗБЕДНОСТА и СИГУРНОСТА на производот, поправките, одржувањата или дотерувањата треба да се вршат во овластени сервисни или фабрички центри на Makita, секогаш со резервни делови од Makita.

Нагодување на прецизност на засек од 0° или 45°

Ова прилагодување е направено фабрички. Но ако е изместено, можете да го прилагодите со следнава постапка.

1. Олабавете ги стезните шrafoви на предната и задната страна на алатот, така што аголот на закосеност ќе може да се смени. Поставете го стопирачот на агол на закосеност од 0° - 45° ако сакате да нагодите прецизност на засек од 45°.

► **Сл.46:** 1. Стезен шраф 2. Стопирач

2. Поставете ја основата да биде во нормална положба или на 45° од сечилото на циркуларната пила со помош на триаголен линијар, вртејќи ги шrafoвите за нагодување со имбус-клуч. Може да користите и правоаголен линијар за да нагодите агол од 0°.

► **Сл.47:** 1. Триаголен линијар

► **Сл.48:** 1. Шраф за нагодување за агол од 0°
2. Шраф за нагодување за агол од 45°

3. Стегнете ги стезните шrafoви и пробно исечете за да проверите дали се добива саканиот агол.

Прилагодување на паралелност

⚠ ВНИМАНИЕ: Одржувајте ја прецизноста на паралелноста. Во спротивно, сечилото на циркуларната пила може да ја нагризе шината-водилка, а оштетената шина-водилка може да предизвика повреда.

Ова прилагодување е направено фабрички. Но ако е изместено, можете да го прилагодите со следнава постапка.

1. Поставете го алатот на максимална длабочина на засекот.
2. Осигурете се дека сите рачки и шрафови се стегнати.
3. Олабавете ги шрафовите како што е покажано на сликата.
4. Додека го отворате долниот заштитник, поместете го задниот дел на основата, така што растојанието на А и В да биде еднакво.
► **Сл.49:** 1. Шраф 2. Основа
5. Стегнете ги завртките и пробно исечете за да ја проверите паралелноста.

ОПЦИОНАЛЕН ПРИБОР

⚠ ВНИМАНИЕ: Овој прибор или додатоци се препорачуваат за користење со алатот од Makita дефиниран во упатството. Со користење друг прибор или додатоци може да се изложите на ризик од телесни повреди. Користете ги приборот и додатоците само за нивната назначена намена.

Ако ви треба помош за повеќе детали за приборот, прашајте во локалниот сервисен центар на Makita.

- Сечило на циркуларната пила
- Надолжен потпирач (шина-водилка)
- Кука
- Шина-водилка
- Водилка за косина
- Стега
- Подлога
- Гумена подлога
- Подлога за положба
- Распрскувач на прав
- Имбус-клуч
- Безжичен уред
- Оригинална батерија и полнач на Makita

НАПОМЕНА: Некои ставки на листата може да се вклучени со алатот како стандарден прибор. Тие може да се разликуваат од држава до држава.

ТЕХНИЧКИ ПОДАЦИ

Модел:		HS004G
Пречник листа		185 мм – 190 мм
Макс. дубина резања	на 0°	60,0 мм – 62,5 мм
	при закошењу од 45°	43,0 мм – 44,5 мм
	при закошењу од 48°	41,0 мм – 42,0 мм
Брзина без оптерећења		6.000 мин ⁻¹
Номинални напон		DC 36 V – 40 V макс.
Укупна дужина	са BL4025	322 мм
	са BL4040	337 мм
Нето тежина		4,4 – 4,7 кг

- На основу нашег непрестаног истраживања и развоја задржавамо право измена наведених техничких података без претходне најаве.
- Технички подаци и уложак батерије могу да се разликују у различитим земљама.
- Тежина може да се разликује у зависности од наставака, укључујући и уложак батерије. Најлакша и најтежа комбинација, према процедури ЕПТА 01/2014, приказане су у табели.

Применљив уложак батерије и пуњач

Уложак батерије	BL4025 / BL4040
Пуњач	DC40RA

- Неки горенаведени улошци батерија и пуњачи можда неће бити доступни у зависности од места становања.

▲УПОЗОРЕЊЕ: Користите само горенаведене улошке батерије и пуњаче. Коришћење других уложака батерије и пуњача може узроковати повреде и/или пожар.

Намена

Алат је намењен за обављање уздужних и попречних правих резова и косих резова са угловима у дрвету док је у чврстом додиру са предметом обраде. Са одговарајућим оригиналним Makita листовима тестере можете да сечете и друге материјале.

Бука

Типичан А-пондерисани ниво буке одређен је према стандарду EN62841-2-5:
 Ниво звучног притиска (L_{pA}): 93 dB (A)
 Ниво звучне снаге (L_{WA}): 104 dB (A)
 Несигурност (K): 3 dB (A)

НАПОМЕНА: Декларисане вредности емисије буке су измерене према стандардизованом мерном поступку и могу се користити за упоређивање алата.

НАПОМЕНА: Декларисана вредност емисије буке се такође може користити за прелиминарну процену изложености.

▲УПОЗОРЕЊЕ: Носите заштитне слушалице.

▲УПОЗОРЕЊЕ: Емисије буке током стварне примене електричног алата могу се разликовати од декларисане вредности у зависности од начина на који се користи алат, а посебно која врста предмета се обрађује.

▲УПОЗОРЕЊЕ: Уверите се да сте идентификовали безбедносне мере за заштиту руковаоца које су засноване на процени изложености у стварним условима употребе (узимајући у обзир све делове радног циклуса, као што је време рада уређаја, али и време када је алат искључен и када ради у празном ходу).

Вибрације

Укупна вредност вибрација (векторски збир по три осе) одређена је према стандарду EN62841-2-5:
 Режим рада: резање дрвета
 Вредност емисије вибрација ($a_{h,W}$): 2,5 м/с² или мања
 Несигурност (K): 1,5 м/с²
 Режим рада: резање метала
 Вредност емисије вибрација ($a_{h,M}$): 2,5 м/с² или мања
 Несигурност (K): 1,5 м/с²

НАПОМЕНА: Декларисане укупне вредности вибрација су измерене према стандардизованом мерном поступку и могу се користити за упоређивање алата.

НАПОМЕНА: Декларисане укупне вредности вибрација се такође могу користити за прелиминарну процену изложености.

▲УПОЗОРЕЊЕ: Вредност емисије вибрација током стварне примене електричног алата може се разликовати од декларисане вредности у зависности од начина на који се користи алат, а посебно која врста предмета се обрађује.

▲УПОЗОРЕЊЕ: Уверите се да сте идентификовали безбедносне мере за заштиту руковаоца које су засноване на процени изложености у стварним условима употребе (узимајући у обзир све делове радног циклуса, као што је време рада уређаја, али и време када је алат искључен и када ради у празном ходу).

ЕЗ декларација о усаглашености

Само за европске земље

ЕЗ декларација о усаглашености део је Додатка А у овом приручнику са упутствима.

БЕЗБЕДНОСНА УПОЗОРЕЊА

Општа безбедносна упозорења за електричне алате

▲УПОЗОРЕЊЕ: Прочитајте сва безбедносна упозорења, упутства, илустрације и спецификације које су испоручене уз овај електрични алат. Непоштовање свих доле наведених безбедносних упутстава може изазвати електрични удар, пожар и/или озбиљну повреду.

Сачувајте сва упозорења и упутства за будуће потребе.

Термин „електрични алат“ у упозорењима односи се на електрични алат који се напаја из електричне мреже (каблом) или батерије (без кабла).

Безбедносна упозорења за бежичну циркуларну тестеру

Процедуре резања

- ▲ОПАСНОСТ:** Држите руке даље од области резања и сечива. Другу руку држите на помоћној ручки или на кућишту мотора. Ако обема рукама држите тестеру, сечиво не може да их посече.

- Немојте да стављате руке испод предмета обраде. Штитник не може да вас заштити испод предмета обраде.
- Подесите дубину реза према дебелини предмета обраде. Требало би да буде видљиво мање од целог зупца зупчаника сечива испод предмета обраде.
- Никада немојте да држите предмет обраде у рукама или преко ноге. Причврстите предмет обраде за стабилну платформу. Важно је да подржавате предмет исправно да бисте смањили изложеност тела, блокирање сечива или губитак контроле.

► Слика 1

- Електрични алат држите за изоловане рукохвате када обављате радове при којима постоји могућност да резни алат додирне скривене водове. Контакт са каблом под напоном ставља под напон и изложене металне делове електричног алата и излаже руковаоца електричном удару.
- Приликом риповања, увек користите граничник или водилицу равне ивице. На овај начин се побољшава прецизност реза и смањује могућност блокирања сечива.
- Увек користите сечива исправне величине и облика прикључног отвора (дијамантски наспрот округлом). Сечива која не одговарају монтажном делу тестере биће избачена из равнотеже, што ће довести до губитка контроле.
- Никада немојте да користите неисправне подлошке за сечиво или завртањ. Подлошке за сечиво и завртањ посебно су дизајнирани за вашу тестеру, да би пружили оптималне перформансе и безбедно руковање.

Узроци повратног удара и сродна упозорења

- повратни удар представља изненадну реакцију на укљештење, заглављивање или неисправно поравнање листа тестере, што доводи до подизања неконтролисаних тестере са предмета обраде према руковаоцу;
 - ако је сечиво укљештено или заглављено усеком који се затвара, сечиво се зауставља, а реакција мотора води јединицу убрзано назад према руковаоцу;
 - ако се сечиво искриви или ако постане неисправно поравнато у резу, зупци на задњој ивици сечива могу да се зарију у горњу површину дрвета због чега сечиво излази из усека и искаче уназад ка руковаоцу.
- Повратни удар је резултат неправилне употребе тестере и/или неправилних радних процедура или услова и може се избећи предузимањем одговарајућих мера опреза које су наведене у наставку.

- Чврсто држите тестеру обема рукама, а руке поставите тако да пружају отпор силама повратног удара. Поставите тело са било које стране сечива, али не у линији са сечивом. Повратни удар би могао да узрокује искакање тестере уназад, али руковалац може да контролише силе повратног удара ако предузме одговарајуће мере предострожности.

2. Ако се сечиво блокира или ако из било ког разлога долази до прекида резања, отпустите оклидач и држите тестеру непокретну у материјалу док се сечиво потпуно не заустави. Никада не покушавајте да уклоните тестеру из материјала или да извучете тестеру уназад док се сечиво врти јер то може изазвати повратни удар. Проверите и предузмите корективне мере да бисте елиминисали разлог блокирања сечива.
3. Приликом поновног покретања тестере док је у предмету обраде, центрирајте лист тестере у усеку, тако да зупци тестере не буду усечени у материјал. Ако се лист тестере блокира, може да дође до искакања или повратног удара из предмета обраде приликом поновног покретања тестере.
4. Подуприте велике плоче да бисте опасност од укљештења сечива и повратног удара svelи на минимум. Велике плоче имају тенденцију да се улежу под сопственом тежином. Подупирачи морају да буду постављени испод плоче са обе стране, близу линије реза и близу ивице плоче.

► Слика2

► Слика3

5. Немојте да користите тупа или оштећена сечива. Ненаоштрена или неисправно постављена сечива производе узан усек који узрокује прекомерно трење, блокирање сечива и повратни удар.
6. Полуге за закључавање подешавања дубине сечива и косине морају да буду затегнуте и безбедне пре прављења реза. Ако се подешавање сечива помери током резања, може да дође до блокирања и повратног удара.
7. Будите изузетно пажљиви приликом тестерисања постојећих зидова или других површина чију другу страну не видите. Испушено сечиво може да засече предмете који могу довести до повратног удара.
8. УВЕК чврсто држите алат обема рукама. НИКАДА немојте да стављате руку, ногу или било који део тела испод постоља алата или иза тестере, нарочито ако изводите унакрсне резове. Ако дође до повратног удара, тестера би могла лако да одскочи уназад преко ваше руке, што би довело до тешке телесне повреде.

► Слика4

9. Никада немојте да примењујете силу на тестеру. Гурните тестеру унапред при брзини на којој сечиво може да реже без успоравања. Примена силе на тестеру може да доведе до неравномерних резова, губитка прецизности и могућег повратног удара.

Функција штитника

1. Пре сваке употребе, проверите да ли се доњи штитник исправно затвара. Немојте да рукујете тестером ако се доњи штитник не креће слободно и тренутно затвара. Никада немојте да притврђујете или везујете доњи штитник у отвореном положају. Ако се тестера случајно испусти, доњи штитник може да буде савијен. Подигните доњи штитник помоћу повратне ручке, а затим проверите да ли се слободно креће и не додирује сечиво или било који други део под свим угловима и дубинама резања.

2. Проверите рад опруге доњег штитника. Ако штитник и опруга не раде исправно, потребно је да их сервисирате пре употребе. Доњи штитник може да ради успорено због оштећених делова, лепљивих талогоа или наслага отпада.
3. Доњи штитник можете да увучете ручно само за специјалне резове као што су „чеоно глодање“ и „комбиновани рез“. Подигните доњи штитник тако што ћете ручно да увучете ручку, а чим сечиво уђе у материјал, доњи штитник мора да буде отпуштен. За све друге врсте резова доњи штитник би требало да ради аутоматски.
4. Увек пазите да доњи штитник покрива сечиво пре спуштања тестере на клупу или под. Незаштићено сечиво које се слободно креће узроковаће кретање тестере уназад и резање свега што јој се нађе на путу. Имајте на уму да је потребно извесно време пре него што се сечиво потпуно заустави након отпуштања прекидача.
5. Да бисте проверили доњи штитник, отворите га руком, а затим отпустите и посматрајте затварање штитника. Такође проверите да повратна ручка не додирује кућиште алата. Остављање сечива изложеним је ВЕОМА ОПАСНО и може да доведе до озбиљних телесних повреда.

Додатна безбедносна упозорења

1. Будите изузетно пажљиви када сечете влажно дрво, дрвену грађу третирану притиском или дрво са чворовима. Одржавајте глатко напредовање алата без смањивања брзине сечива да бисте избегли прегревање врхова сечива.
2. Немојте покушавати да уклоните исечени материјал док се сечиво окреће. Сачекајте да се сечиво заустави пре него што ухватите исечени материјал. Сечива настављају да се окрећу након искључивања.
3. Избегавајте сечење ексера. Прегледајте да ли у дрвету има ексера и уклоните их пре сечења.
4. Поставите шири део постоља тестере на део предмета обраде који је чврсто подупрт, а не на део који ће отпасти након резања. Ако је предмет обраде кратак или мали, притврстите га. НЕМОЈТЕ ДА ПОКУШАВАТЕ ДА ДРЖИТЕ РУКОМ КРАТКЕ КОМАДЕ!

► Слика5

5. Пре спуштања алата након довршавања реза, проверите да ли је штитник затворен и да ли се сечиво потпуно зауставило.
6. Никада немојте да покушавате да сечете циркуларном тестером држећи је окренуту наопако у стегама. Ово је изузетно опасно и може да доведе до озбиљних несрећа.

► Слика6

7. Неки материјали садрже хемикалије које могу да буду отровне. Будите опрезни да не би дошло до удисања прашине или контакта са кожом. Следите безбедносне податке добављача материјала.

8. Немојте да заустављате сечива бочним притиском на лист тестере.
9. Немојте да користите брусне плоче.
10. Користите само лист тестере пречника који је назначен на алату или наведен у приручнику. Коришћење сечива неодговарајуће величине може да утиче на правилну заштиту сечива или на функционисање штитника, што за последицу може да има тешке телесне повреде.
11. Одржавајте сечиво оштрим и чистим. Смола и катран очврсли на сечивима успоравају тестеру и повећавају могућност повратног удара. Одржавајте сечиво чистим тако што ћете га прво скинути са алата, а затим очистити средством за скидање смоле и катрана, врућом водом или керозином. Никада немојте да користите бензин.
12. Носите маску за заштиту од прашине и заштитне слушалице када користите алат.
13. Увек користите лист тестере који је намењен за сечење оног материјала који сечете.
14. Користите само листове тестере чија је назначена брзина једнака брзини назначеној на алату или већа од ње.
15. (Само за европске земље)
Увек користите лист тестере који одговара стандарду EN847-1.
16. Поставите алат и делове на равну и стабилну површину. У супротном, алат или делови могу да падну и изазову повреду.

САЧУВАЈТЕ ОВО УПУТСТВО.

▲УПОЗОРЕЊЕ: НЕМОЈТЕ себи да дозволите да занемарите строга безбедносна правила која се односе на овај производ услед чињенице да сте производ добро упознали и стекли рутину у руковању њиме (услед честог коришћења). **НЕНАМЕНСКА УПОТРЕБА** или непоштовање безбедносних правила наведених у овом упутству могу довести до тешких телесних повреда.

Важна безбедносна упутства која се односе на уложак батерије

1. Пре употребе уложка батерије, прочитајте сва упутства и безбедносне ознаке на (1) пуњачу батерије, (2) батерији и (3) производу који користи батерију.
 2. Не растављајте и не модификујте уложак батерије. Тиме можете да изазовете пожар, прекомерно загревање или експлозију.
 3. Ако се време рада знатно скратило, одмах престаните са коришћењем. То може да доведе до ризика од прегревања, могућих опекотина, па чак и експлозије.
 4. Ако електролит доспе у очи, исперите их чистом водом и одмах затражите помоћ лекара. То може да доведе до губитка вида.
5. Немојте да изазивате кратак спој уложка батерије:
 - (1) Немојте додиривати прикључке било којим проводним материјалом.
 - (2) Избегавајте складиштење уложка батерије у кутији са другим металним предметима као што ексери, новчићи итд.
 - (3) Немојте да излажете уложак батерије води или киши.
 Кратак спој батерије може да доведе до великог протока струје, прегревања, могућих опекотина, па чак и прегоревања.
 6. Немојте да складиштите алат и уложак батерије на местима где температура може да достигне или премаши 50°C (122°F).
 7. Немојте да палите уложак батерије чак ни када је озбиљно оштећен или потпуно похабан. Уложак батерије може да експлодира у ватри.
 8. Немојте да закивате, сечете, ломите, бацате или испуштате уложак батерије, или да њиме ударате по чврстој површини. На тај начин можете да изазовете пожар, прекомерно загревање или експлозију.
 9. Немојте да користите оштећену батерију.
 10. Садржане литијум-јонске батерије подлежу Закону о превозу опасних материја. Приликом комерцијалног превоза, нпр. од стране трећих лица и превозника, мора се обратити посебна пажња на специјалне захтеве паковања и обележавања. Приликом припреме материјала за превоз, потребно је саветовати се са стручњаком за опасне материје. Такође обратите пажњу на евентуалне даље националне прописе. Омотајте траком или прекријте отворене контакте и запакујте батерију тако да се не може померати унутар паковања.
 11. Када одлажете уложак батерије на отпад, извадите га из алата и одложите на безбедно место. Придржавајте се локалних прописа у вези са одлагањем батерије.
 12. Батерије користите само са производима које је навела компанија Makita. Постављање батерије на производе који нису усаглашени може да доведе до пожара, прекомерне топлоте, експлозије или цурења електролита.
 13. Ако се алат не користи током дужег периода, батерија мора да се извади из алата.
 14. Током и након коришћења, уложак батерије може да акумулира толико топлоте да то може довести до опекотина, уобичајених и нискотемпературних. Пажљиво рукујте врућим уложцима батерије.
 15. Не додирујте контакте алата одмах након коришћења јер су можда толико врући да могу да изазову опекотине.
 16. Водите рачуна да се струготина, прашина или земља не заглаве у контактима, рупицама и жлебовима уложка батерије. У супротном може доћи до лошег учинка или прегоревања алата или уложка батерије.

17. Осим ако алат то не подржава, немојте да користите уложак батерије близу високонапонских разводних линија електричне струје. У супротном може доћи до квара или прегоревана алата или улошка батерије.
9. Бежична јединица може да производи електромагнетна поља која нису штетна по корисника.
10. Бежична јединица је прецизни инструмент. Пазите да не испустите или не ударите бежичну јединицу.

САЧУВАЈТЕ ОВО УПУТСТВО.

▲ПАЖЊА: Користите само оригиналне Makita батерије. Коришћење Makita батерија које нису оригиналне или батерија које су измењене може да доведе до пуцања батерије, које може да изазове пожар, телесне повреде или штету. То ће такође поништити гаранцију компаније Makita за Makita алат и пуњач.

Савети за максимално трајање батерије

1. Напуните уложак батерије пре него што се потпуно испразни. Сваки пут прекините рад са алатом и напуните уложак батерије када приметите да је снага алата слабија.
2. Никада немојте да поново пуните потпуно напуњени уложак батерије. Препуњавање скраћује радни век батерије.
3. Пуните уложак батерије на собној температури између 10°C и 40°C (између 50°F и 104°F). Сачекајте да се врући уложак батерије охлади пре пуњења.
4. Када не користите уложак батерије, извадите га из алата или пуњача.
5. Напуните уложак батерије ако га нећете користити дуже време (више од шест месеци).
11. Не додирујте контакте бежичне јединице голим рукама или металним предметима.
12. Обавезно извадите батерију из производа пре него што поставите бежичну јединицу.
13. Немојте отварати поклопац отвора на местима на којима прашина и вода могу да доспеју у отвор. Увек одржавајте улаз отвора чистим.
14. Увек пазите да бежична јединица при уметању буде правилно окренута.
15. Не притискајте дугме за бежично активирање на бежичној јединици прејакно / или предметом са оштром ивицом.
16. Обавезно вратите поклопац отвора пре почетка рада.
17. Не вадите бежичну јединицу из отвора док је алат под напоном. У супротном, може да дође до квара бежичне јединице.
18. Не скидајте налепницу са бежичне јединице.
19. Не стављајте налепнице на бежичну јединицу.
20. Не остављајте бежичну јединицу на местима на којима могу да се јаве статички електрицитет или електрични шум.
21. Не остављајте бежичну јединицу на месту изложеном великој топлоти, на пример у аутомобилу који стоји на сунцу.
22. Не остављајте бежичну јединицу на прашавим местима или местима на којима може да се створи нагрizaјући гас.
23. Нагле промене температуре могу да изазову стварање росе на бежичној јединици. Не користите бежичну јединицу док роса потпуно не испари.

Важна безбедносна упутства која се односе на бежичну јединицу

1. Не растављајте и не модификујте бежичну јединицу.
2. Држите бежичну јединицу подаље од мале деце. Ако дође до случајног гутања јединице, одмах затражите лекарску помоћ.
3. Бежичну јединицу користите искључиво у комбинацији са Makita алатом.
4. Не излажите бежичну јединицу киши или влази.
5. Не користите бежичну јединицу на местима на којим температура премашује 50°C.
6. Не користите бежичну јединицу у близини медицинских инструмената, попут пејсмејкера.
7. Не користите бежичну јединицу у близини аутоматизованих уређаја. У супротном може да дође до квара или грешке аутоматизованог уређаја.
8. Не радите са бежичном јединицом на местима изложеном високим температурама или местима на којима могу да се јаве статички електрицитет или електрични шум.
24. Бежична јединица се чисти пажљивим брисањем сувом, меком крпом. Не користите апотекарски бензин, разређивач, проводну маст и слична средства.
25. Бежична јединица се чува у добијеној кутији или амбалажи отпорној на статички електрицитет.
26. У отвор на алату не стављајте друге уређаје сем Makita бежичне јединице.
27. Не користите алат ако је поклопац отвора оштећен. Вода, прашина и прљавштина који уђу у отвор могу да изазову квар.
28. Не вуците /или упредајте поклопац отвора више него што је неопходно. Вратите поклопац на алат ако спадне.
29. Замените поклопац отвора ако се изгуби или оштети.

САЧУВАЈТЕ ОВО УПУТСТВО.

ОПИС НАЧИНА ФУНКЦИОНИСАЊА

ПАЖЊА: Пре подешавања или провере функција алата увек проверите да ли је алат искључен и да ли је уложак батерије уклоњен.

Постављање и уклањање улошка батерије

ПАЖЊА: Увек искључите алат пре постављања или уклањања улошка батерије.

ПАЖЊА: Држите чврсто алат и уложак батерије када постављате или уклањате уложак батерије. Ако алат и уложак батерије не будете држали чврсто, могу вам исклизнути из руку, оштетити се при паду и повредити вас.

► **Слика7:** 1. Црвени индикатор 2. Дугме 3. Уложак батерије

Да бисте уклонили уложак батерије, клизањем га извуците из алата док клизањем померате дугме на предњој страни улошка.

Да бисте поставили уложак батерије, поравнајте језичак на њему са жлебом на кућишту и гурните га на место. Гурните га до краја тако да легне на своје место и чује се тихо шкљоцање. Ако можете да уочите црвени индикатор на горњој страни дугмета, то значи да уложак батерије није потпуно закључан.

ПАЖЊА: Увек до краја гурните уложак батерије тако да се црвени индикатор не види. У супротном, он случајно може испати из алата и повредити вас или неку особу у вашој близини.

ПАЖЊА: Немојте на силу да постављате уложак батерије. Ако уложак не можете лако да гурнете, то значи да га не постављате исправно.

Систем за заштиту алата/батерије

Алат је опремљен системом за заштиту алата/батерије. Овај систем аутоматски прекида напајање мотора како би продужио век трајања алата и батерије. Алат ће се аутоматски зауставити током рада ако алат или батерија уђу у једно од следећих стања. У извесним условима укључиће се индикатори.

Заштита од преоптерећења

Када се алатом рукује тако да он вуче превелику струју, алат ће аутоматски престати са радом. У овој ситуацији, искључите алат и престаните са употребом која је довела до преоптерећења алата. Затим укључите алат да бисте га поново покренули.

Заштита од прегревања

Када је алат прегрејан, алат аутоматски престаје да ради и лампа почиње да трепће. У овом случају, пустите да се алат и батерија охладе пре поновног укључивања алата.








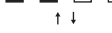

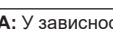
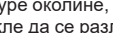


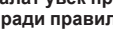
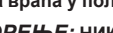

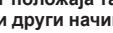
Заштита од превеликог пражњења

Када се капацитет батерије смањи, алат аутоматски престаје са радом. Ако производ не ради чак ни када се активирају прекидачи, уклоните батерију из алата и напуните је.

Приказ преосталог капацитета батерије

Притисните дугме за проверу на улошку батерије да бисте приказали преостали капацитет батерије. Индикаторске лампиче ће се укључити на неколико секунди.

► **Слика8:** 1. Индикаторске лампиче 2. Дугме за проверу

Индикаторске лампиче			Преостали капацитет
Светли	Искључено	Трепће	
			Од 75% до 100%
			Од 50% до 75%
			Од 25% до 50%
			Од 0% до 25%
			Напуните батерију.
			Могуће је да је батерија постала неисправна.

НАПОМЕНА: У зависности од услова коришћења и температуре околине, приказани капацитет може донекле да се разликује од стварног.

Функционисање прекидача

УПОЗОРЕЊЕ: Пре постављања улошка батерије у алат увек проверите да ли окидач прекидача ради правилно и да ли се након отпуштања враћа у положај „OFF“ (Искључено).

УПОЗОРЕЊЕ: НИКАДА немојте да неутралишете дугме за ослобађање из блокираног положаја тако што ћете га залепити или на неки други начин. Прекидач са неисправним дугметом за ослобађање из блокираног положаја може да доведе до ненамерног покретања алата и тешких телесних повреда.

УПОЗОРЕЊЕ: НИКАДА немојте да користите алат који ради тако што ћете само повући окидач прекидача без притискања дугмета за ослобађање из блокираног положаја. Прекидач коме је потребна поправка може да доведе до ненамерног покретања алата и тешких телесних повреда. ПРЕ даље употребе вратите алат сервисном центру компаније Makita ради адекватне поправки.

Да не би дошло до случајног повлачења окидача прекидача, обезбеђено је дугме за ослобађање из блокираног положаја. Да бисте укључили алат, притисните тастер за ослобађање из блокираног положаја и повуците окидач прекидача. Отпустите окидач прекидача да бисте зауставили алат.

► **Слика9:** 1. Окидач прекидача 2. Дугме за ослобађање из блокираног положаја

ОБАВЕШТЕЊЕ: Немојте снажно да повлачите прекидач ако нисте притиснули дугме за ослобађање из блокираног положаја. То може да доведе до ломљења прекидача.

ПАЖЊА: Алат почиње да кочи ротирање циркуларног листа тестере чим отпустите окидач прекидача. Чврсто држите алат да бисте реаговали на кочницу када отпуштате окидач прекидача. Због изненадне реакције можете да испустите алат из руке, што може да изазове телесне повреде.

Функција аутоматске промене брзине

Овај алат има „режим велике брзине“ и „режим великог момента“.

Алат аутоматски мења режим рада у зависности од радног оптерећења. Ако је радно оптерећење мало, алат ће радити у „режиму велике брзине“ за брже сечење. Ако је радно оптерећење велико, алат ће радити у „режиму великог момента“ за брже сечење.

► **Слика10:** 1. Индикатор режима

Индикатор режима засветлеће зелено када алат ради у „режиму великог момента“.

Ако се алатом управља уз превелико оптерећење, индикатор режима ће трептати зелено. Индикатор режима ће престати да трепће, а затим ће почети да светли или ће се угасити ако смањите оптерећење на алату.

Стање индикатора режима			Режим рада
● Укључено	○ Искључено	● Трепће	
			Режим велике брзине
			Режим великог момента
			Упозорење о прегревању

Подешавање дубине реза

ПАЖЊА: После подешавања дубине сечења увек добро затегните полугу.

Одвртите полугу на граничнику дубине и померите основну плочу горе или доле. На жељеној дубини сечења причврстите основну плочу завртањем полуге.

За јасније, безбедније резове, подесите дубину реза тако да испод предмета обраде није избачено више од једног зупца сечива. Коришћење исправне дубине реза помаже у смањивању могућности да дође до опасног ПОВРАТНОГ УДАРА што може изазвати телесне повреде.

► **Слика11:** 1. Полуга

Резање под углом

ПАЖЊА: После подешавања угла закошења, увек чврсто причврстите завртње за причвршћивање.

Олабавите завртње за причвршћивање. Подесите жељени угао тако што ћете укосити плочу, а затим чврсто притегнути завртње за причвршћивање.

► **Слика12:** 1. Завртњи за причвршћивање

Користите граничник за прецизно сечење под углом од 45°. До краја окрените граничник као што је приказано на слици у зависности од резања под углом од 0° – 45° или резања под углом од 0° – 48°.

► **Слика13:** 1. Граничник

Поравнавање

За равне резове, поравнајте позицију 0° на предњем делу основе са вашом линијом сечења. За резање под углом од 45°, поравнајте позицију 45° са линијом сечења.

► **Слика14:** 1. Линија реза (положај 0°) 2. Линија реза (положај 45°)

Укључивање лампе

ПАЖЊА: Немојте да гледате у лампу ни директно у извор светлости.

Да бисте укључили лампу без покретања алата, повуците окидач прекидача, али не притискајте дугме за ослобађање.

Да бисте укључили лампу док алат ради, притисните и задржите дугме за ослобађање из блокираног положаја и повуците окидач прекидача.

Лампа ће се искључити 10 секунди након што отпустите окидач прекидача.

► **Слика15:** 1. Лампа

НАПОМЕНА: Сувом крпом обришите прљавштину са сочива лампе. Пазите да не огребете сочиво лампе, јер тако можете смањити осветљеност.

НАПОМЕНА: Када је алат прегрејан, лампица трепће један минут. У том случају охладите алат пре него што наставите са радом.

Кука

Опциони додатни прибор

ПАЖЊА: Увек уклоните батерију када алат качите помоћу куке.

ПАЖЊА: Никада немојте качити алат на високом или потенцијално нестабилним местима, као што су површине. У супротном, алат може изгубити равнотежу и пасти.

ПАЖЊА: Немојте окретати алат надоле када је окачен помоћу куке.

Кука је практична за привремено качење алата.

► **Слика16**

Причврстите куку помоћу завртања као на слици.

► **Слика17:** 1. Кука 2. Завртањ

Да бисте користили куку, само окрећите куку док не дође у отворен положај.

Када није у употреби, увек окрећите куку док не дође у затворен положај.

► **Слика18:** 1. Отворен положај 2. Затворен положај

Електрична кочница

Алат је опремљен електричном кочницом за сечиво. Ако алат не може брзо да заустави циркуларни лист тестере након отпуштања полуге прекидача, однесите га у Makita сервисни центар.

▲ПАЖЊА: Систем кочнице за сечиво није замена за штитник сечива. **НИКАДА НЕМОЈТЕ ДА КОРИСТИТЕ АЛАТ БЕЗ ФУНКЦИОНАЛНОГ ШТИТНИКА СЕЧИВА. МОГУЋЕ СУ ТЕШКЕ ТЕЛЕСНЕ ПОВРЕДЕ.**

Електронска функција

Алати опремљени електронском функцијом су једноставни за коришћење због следећих функција.

Функција лаганог старта

Лагани старт да би се ублажио почетни удар.

СКЛАПАЊЕ

▲ПАЖЊА: Пре обављања било каквог посла на алату увек проверите да ли је он искључен и да ли је уложак батерије уклоњен.

Складиштење имбус кључа

Када се не користи, имбус кључ складиштите као што је приказано на слици да се не би загубио.

► **Слика19:** 1. Имбус кључ

Уклањање или постављање циркуларног листа тестере

▲ПАЖЊА: Побрините се да циркуларни лист тестере буде постављен тако да су зупци управљени ка предњој страни алата.

▲ПАЖЊА: Увек користите Makita кључ за постављање или скидање циркуларног листа тестере.

Да бисте скинули циркуларни лист тестере, притисните браву осовине у потпуности, тако да циркуларни лист тестере не може да се обрће, па имбус кључем одвртите имбус завртањ. Затим уклоните имбус завртањ, спољну прирубницу, циркуларни лист тестере и прстен (у зависности од земље).

► **Слика20:** 1. Брава осовине 2. Имбус кључ 3. Олабавите 4. Затегните

За алат без прстена

► **Слика21:** 1. Имбус завртањ 2. Спољна прирубница 3. Циркуларни лист тестере 4. Стрелица на циркуларном листу тестере 5. Унутрашња прирубница 6. Стрелица на алату

За алат са прстеном

► **Слика22:** 1. Имбус завртањ 2. Спољна прирубница 3. Циркуларни лист тестере 4. Стрелица на циркуларном листу тестере 5. Прстен 6. Унутрашња прирубница 7. Стрелица на алату

Да бисте поставили циркуларни лист тестере, примените поступак за скидање обрнутим редоследом. Поравнајте смер стрелице на листу са стрелицом на алату.

За алат са унутрашњом прирубницом за лист тестере са отвором пречника различитим од 15,88 мм

Унутрашња прирубница има избочину одређеног пречника на једној својој страни и избочину другачијег пречника на другој страни. Изаберите одговарајућу страну чија се избочина савршено уклапа са отвором листа тестере. Монтирајте унутрашњу прирубницу на вретено тако да исправна страна избочине на унутрашњој прирубници буде окренута ка споља и поставите лист тестере и спољну прирубницу.

► **Слика23:** 1. Осовина за монтирање 2. Унутрашња прирубница 3. Циркуларни лист тестере 4. Спољна прирубница 5. Имбус завртањ

▲УПОЗОРЕЊЕ: ОБАВЕЗНО ДОБРО ЗАТЕГНИТЕ ИМБУС ЗАВРТАЊ У СМЕРУ КАЗАЉКЕ НА САТУ. Такође водите рачуна да не причвршћујете завртањ на силу. Ако вам рука склизне с имбус кључа, може да дође до телесне повреде.

▲УПОЗОРЕЊЕ: Постарајте се да се избочина „а“ на унутрашњој прирубници која је постављена споља савршено уклапа са отвором листа тестере „а“. Постављање листа на погрешну страну може да доведе до опасних вибрација.

За алат са унутрашњом прирубницом за лист тестере пречника отвора 15,88 мм (у зависности од земље)

Монтирајте унутрашњу прирубницу тако да је страна са удубљењем окренута ка споља на вретено и поставите лист тестере (са причвршћеним прстеном, ако је потребно), спољну прирубницу и имбус завртањ.

За алат без прстена

► **Слика24:** 1. Осовина за монтирање 2. Унутрашња прирубница 3. Циркуларни лист тестере 4. Спољна прирубница 5. Имбус завртањ

За алат са прстеном

► **Слика25:** 1. Осовина за монтирање 2. Унутрашња прирубница 3. Циркуларни лист тестере 4. Спољна прирубница 5. Имбус завртањ 6. Прстен

▲УПОЗОРЕЊЕ: ОБАВЕЗНО ДОБРО ЗАТЕГНИТЕ ИМБУС ЗАВРТАЊ У СМЕРУ КАЗАЉКЕ НА САТУ. Такође водите рачуна да не причвршћујете завртањ на силу. Ако вам рука склизне с имбус кључа, може да дође до телесне повреде.

▲УПОЗОРЕЊЕ: Ако је потребно да монтирате лист на осовину, увек проверите да ли је између унутрашње и спољне прирубнице постављен одговарајући прстен за отвор листа који намеравате да користите. Користићење прстена са неодговарајућим отвором може да има за последицу неправилну монтажу листа, што може да узрокује померање листа и приличне вибрације, а самим тим и губитак контроле током рада и тешке телесне повреде.

Чишћење штитника листа

Приликом промене циркуларног листа тестере, постарајте се да такође очистите горњи и доњи штитник циркуларног листа тестере од накупљене струготине, као што је размотрено у одељку Одржавање. Тиме се не искључује потреба за провером рада доњег штитника пре сваке употребе.

Повезивање усисивача

Када желите да обавите чисто сечење, прикључите Makita усисивач на ваш алат. Повезите црево усисивача на млазницу за прашину као што је приказано на слици.

► **Слика26:** 1. Млазница за прашину 2. Завртањ

► **Слика27:** 1. Црево 2. Усисивач

РАД

Овај алат је намењен за сечење производа од дрвета. Користећи одговарајуће оригиналне Makita циркуларне листове тестере можете да сечете следеће материјале:

- производе од алуминијума
- Погледајте наш веб-сајт или се обратите локалном Makita продавцу да бисте сазнали који је циркуларни лист тестере адекватан за сечење предмета обраде.

Провера функције штитника листа

Подесите угао закошења на 0°, па ручно повуците доњи штитник до крајње тачке и ослободите га. Доњи штитник правилно функционише у случају:

- да се повуче изнад основне плоче без сметњи и,
- када се аутоматски врати и дође у додир са граничником.

► **Слика28:** 1. Горњи штитник 2. Доњи штитник
3. Основна плоча 4. Граничник
5. Отварање 6. Затварање

Ако доњи граничник не функционише правилно, проверите да ли има накупљене прашине у горњем и доњем штитнику. Ако доњи граничник не функционише правилно чак и након уклањања прашине, однесите га у Makita сервисни центар.

Поступак резања

▲ПАЖЊА: Носите маску за прашину приликом поступка резања.

▲ПАЖЊА: Водите рачуна да алат нежно померате праволинијски унапред. Померање на силу или увртање алата може довести до прегревања мотора и опасног повратног удара, што може изазвати озбиљну повреду.

НАПОМЕНА: Када је температура улошка батерије ниска, алат можда неће радити пуним капацитетом. Тада на пример користите алат за мање захтевне резове док се уложак батерије не загреје до температуре окружења. Након тога алат може да ради пуним капацитетом.

► Слика29

Чврсто држите алат. Алат је опремљен и предњим рукохватом и задњом дршком. Користите оба да бисте најбоље држали алат. Ако тестеру држите обема рукама, њих не може посећи циркуларни лист тестере. Поставите основу на предмет обраде који треба да сечете, а да притом циркуларни лист тестере не дође у додир са предметом обраде. Укључите алат и сачекајте да циркуларни лист тестере постигне пуну брзину. Једноставно померајте алат напред преко површине предмета обраде, равно и уз равномерно напредовање док не довршите сечење.

За јасне резове, нека линија сечења буде права, а брзина напредовања уједначена. Ако рез није правилно пратио намеравану линију реза, немојте да покушавате да окренете или силом померите алат назад на линију реза. Тиме можете блокирати циркуларни лист тестере, што може довести до опасног повратног удара и могуће тешке повреде. Пустите прекидач, сачекајте да се циркуларни лист тестере заустави и потом извадите алат. Поново поравнајте алат на нову линију реза и сечите поново. Покушајте да избегнете заузимање става при коме је руковалац изложен опилцима и прашини који се избацују из тестере. Користите заштиту за очи која ће вам помоћи да избегнете повреду.

Регулатор против расцепкавања (паралелни граничник)

▲ПАЖЊА: Уверите се да је паралелна вођица добро причвршћена у правилном положају пре коришћења. Неправилно постављена паралелна вођица може проузроковати опасни повратни удар.

► **Слика30:** 1. Регулатор против расцепкавања (паралелни граничник) 2. Завртањ за причвршћивање

Практични регулатор против расцепкавања омогућава вам изузетно прецизне равне резове. Једноставно гурните регулатор против расцепкавања нагоре да клизи непосредно уз страну предмета обраде и причврштите га у том положају завртњем на предњем делу основе. Он такође омогућава поновљено сечење равномерне ширине.

Шина водилица

Опциони додатни прибор

Поставите алат на задњи крај шине водилице. Окрените два завртња за подешавање на постолу алата тако да алат глатко клизи без лупања. Држите чврсто предњи рукохват и задњу ручку алата. Укључите алат и сеците поред заштите за кидање струготине целом дужином реза. Сада ивица заштите за кидање струготине одговара ивици сечења.

► **Слика31:** 1. Завртњи за подешавање

Приликом резања под углом помоћу шине водилице, користите клизну полуку како бисте спречили да се алат преврне. Померајте клизну полуку на основи алата у правцу стрелице тако да се активира жлеб испод реза на шини водилици.

► **Слика32:** 1. Клизна полука

Повезивање врпцом (траком за везивање)

⚠ Безбедносна упозорења за коришћење на висини
Прочитајте сва безбедносна упозорења и упутства. Непоштовање упозорења и упутстава може изазвати тешке телесне повреде.

1. **Увек држите алат привезан када радите на висини. Максимална дужина врпце је 2 м (6,5 стопа).**
Максимална дозвољена висина пада за врпцу (трака за везивање) не сме да премаши 2 м (6,5 стопа).
2. **Користите само врпце које одговарају за овај тип алата и које су предвиђене за најмање 7,0 кг (15,4 фунти).**
3. **Не причвршћујте врпцу алата за себе нити за покретне компоненте. Причврстите врпцу алата за чврсту структуру која може да издржи силу коју алат производи када падне.**
4. **Уверите се да је врпца исправно причвршћена на оба краја пре коришћења.**
5. **Пре сваке употребе, уверите се да на алату и врпци не постоје оштећења и да исправно раде (укључујући тканину и шавове). Не користите их ако су оштећени или ако не раде исправно.**
6. **Немојте да обмотавате врпцу око оштрих или грубих ивица и не дозволите да дође у контакт са њима.**
7. **Причврстите други крај врпце ван радног поља тако да алат буде сигурно причвршћен у случају да падне.**
8. **Повежите врпцу тако да се алат помери даље од руковаоца у случају да падне.**
Испуштени алати се љуљају на врпци, што може да проузрокује повреде или губитак равнотеже.
9. **Не користите у близини покретних делова или покренутих машина. У супротном постоји опасност од ударца или петљања.**
10. **Не преносите алат држећи га за додатни уређај или врпцу.**
11. **Преносите алат држећи га обема рукама само ако можете да одржавате равнотежу.**

12. **Не повезујте врпцу за алат тако да спречава исправан рад штитника, прекидача или блокада алата.**
13. **Обратите пажњу да се не упетљате врпцом.**
14. **Држите врпцу даље од области резања алата.**
15. **Користите вишенаменске карабинере и карабинере са закључавањем. Не користите једнонаменске карабинере са опругом.**
16. **У случају да испустите алат, он мора да се означи и повуче из употребе и морају да га прегледају фабрика Makita или овлашћени сервисни центар.**

► **Слика33:** 1. Отвор за врпцу (траку за везивање)

ФУНКЦИЈА БЕЖИЧНОГ АКТИВИРАЊА

Шта све можете да радите са функцијом бежичног активирања

Функција бежичног активирања омогућава уредан и удобан рад. Када повежете подржани усисивач са алатом, можете аутоматски да покрећете усисивач притиском прекидача на алату.

► **Слика34**

Да бисте могли да користите функцију бежичног активирања, припремите следеће предмете:

- Бежична јединица (опциони прибор)
- Усисивач који подржава функцију бежичног активирања

Следи преглед подешавања функције бежичног активирања. Детаљни процедура су описани у одговарајућим одељцима.

1. Постављање бежичне јединице
2. Регистрација алата за усисивач
3. Покретање функције бежичног активирања

Постављање бежичне јединице

Опциони додатни прибор

⚠ ПАЖЊА: Пре постављања бежичне јединице ставите алат на равну и стабилну површину.

ОБАВЕШТЕЊЕ: Очистите праšину и прљавштину са алата пре постављања бежичне јединице. Прашина и прљавштина могу да изазову квар ако доспеју у отвор за бежичну јединицу.

ОБАВЕШТЕЊЕ: Да не би дошло до сметње због статичког електрицитета, додирните материјал кроз који се он празни, попут неког металног дела алата, пре него што узмете бежичну јединицу.

ОБАВЕШТЕЊЕ: При постављању бежичне јединице строго водите рачуна да бежична јединица буде окренута на одговарајући начин и да је поклопац потпуно затворен.

1. Отворите поклопац, као што је показано на слици.

► **Слика35:** 1. Поклопац

2. Убаците бежичну јединицу у отвор, па затворите поклопац.

При постављању бежичне јединице поравнајте избочине са удубљењима у отвору.

► **Слика36:** 1. Бежична јединица 2. Избочина 3. Поклопац 4. Места удубљења

Пре скидања бежичне јединице пажљиво скините поклопац. Кукице на задњој страни поклопаца ће подићи бежичну јединицу кад подигнете поклопац.

► **Слика37:** 1. Бежична јединица 2. Кука 3. Поклопац

Након уклањања бежичне јединице чувајте је у добијеној кутији или амбалажи отпорној на статички електрицитет.

ОБАВЕШТЕЊЕ: Бежичну јединицу увек водите помоћу кукица на задњој страни поклопаца. Ако кукице не ухватите бежичну јединицу, потпуно затворите поклопац па га поново отворите.

Регистрација алата за усисивач

НАПОМЕНА: За регистрацију алата је потребан Makita усисивач који подржава функцију бежичног активирања.

НАПОМЕНА: Довршите постављање бежичне јединице пре почетка регистрације алата.

НАПОМЕНА: Током регистрације алата не дирајте окидач прекидача и не укључујте прекидач на усисивачу.

НАПОМЕНА: Погледајте и приручник са упутствима за усисивач.

Ако желите да се усисивач активира када се притисне прекидач на алату, прво довршите регистрацију алата.

1. Поставите батерије у усисивач и алат.

2. Поставите прекидач за стање приправности на усисивачу на „АUTO“.

► **Слика38:** 1. Прекидач за стање приправности

3. Притисните и 3 секунде држите дугме за бежично активирање на усисивачу док лампица за бежично активирање не почне да трепти зелено. Затим на исти начин притисните дугме за бежично активирање на алату.

► **Слика39:** 1. Дугме за бежично активирање 2. Лампица за бежично активирање

Ако се усисивач и алат успешно повежу, лампица за бежично активирање ће сијати зелено 2 секунде, а затим почети да трепти плаво.

НАПОМЕНА: Лампице за бежично активирање ће престати да сијају зелено након 20 секунди. Притисните дугме за бежично активирање на алату када лампица за бежично активирање на усисивачу почне да трепти. Ако лампица за бежично активирање не почне да трепти зелено, једном кратко притисните дугме за бежично активирање, па га опет држите.

НАПОМЕНА: Ако региструјете више алата на једном усисивачу, регистрације вршите једну по једну.

Покретање функције бежичног активирања

НАПОМЕНА: Довршите регистрацију алата за усисивач пре бежичног активирања.

НАПОМЕНА: Погледајте и приручник са упутствима за усисивач.

Након регистровања алата на усисивачу, усисивач ће се аутоматски укључивати када се притисне прекидач на алату.

1. Поставите бежичну јединицу у алат.

2. Повежите црево усисивача на алат.

► **Слика40**

3. Поставите прекидач за стање приправности на усисивачу на „АUTO“.

► **Слика41:** 1. Прекидач за стање приправности

4. Накратко притисните дугме за бежично активирање на алату. Лампица за бежично активирање ће почети да сија плаво.

► **Слика42:** 1. Дугме за бежично активирање 2. Лампица за бежично активирање

5. Повуците окидач прекидача на алату.

Проверите да ли усисивач ради када се притисне окидач прекидача.

Ако желите да зауставите бежично активирање усисивача, притисните дугме за бежично активирање на алату.

НАПОМЕНА: Лампица за бежично активирање на алату ће престати да трепти плаво ако нема активности у року од 2 сата. У том случају, поставите прекидач за стање приправности у положај „АUTO“ и поново притисните дугме за бежично активирање на алату.

НАПОМЕНА: Усисивач ће се покретати/ заустављати уз кашњење. Јавља се кашњење када усисивач детектује притискање прекидача на алату.










НАПОМЕНА: Домет бежичне јединице може да варира у зависности од локације и услова средине.

НАПОМЕНА: Када су два или више алата регистрована на један усисивач, он ће можда почети да ради и када не притиснете окидач прекидача јер неки други корисник користи функцију бежичног активирања.

Опис статуса лампице за бежично активирање

► Слика43: 1. Лампица за бежично активирање

Лампица за бежично активирање приказује статус функције бежичног активирања. У табели испод су наведена значења статуса лампице.

Статус	Лампица за бежично активирање				Опис
	Боја	 Сија	 Трепће	Трајање	
Мировање	Плаво			2 сата	Усисивач може бежично да се активира. Лампица ће се аутоматски искључити ако нема активности у року од 2 сата.
				Када алат не ради.	Усисивач може бежично да се активира и алат ради.
Регистрација алата	Зелено			20 секунди	Спреман за регистрацију алата. Чека се на регистрацију усисивача.
				2 секунди	Регистрација алата је завршена. Лампица за бежично активирање ће почети да трепти плаво.
Отказивање регистрације алата	Црвено			20 секунди	Спреман за отказивање регистрације алата. Чека се на отказивање од стране усисивача.
				2 секунди	Отказивање регистрације алата је завршено. Лампица за бежично активирање ће почети да трепти плаво.
Друго	Црвено			3 секунди	Бежична јединица је под напоном, а функција бежичног активирања се покреће.
	Искључено		–	–	Бежично активирање усисивача је заустављено.

Отказивање регистрације алата за усисивач

Обавите следећу процедуру ако желите да откажете регистрацију алата за усисивач.

1. Поставите батерије у усисивач и алат.
2. Поставите прекидач за стање приправности на усисивачу на „АУТО“.

► Слика44: 1. Прекидач за стање приправности

3. Притисните и 6 секунди држите дугме за бежично активирање на усисивачу. Лампица за бежично активирање ће трептати зелено, па почети да сија црвено. Затим на исти начин притисните дугме за бежично активирање на алату.

- ### ► Слика45: 1. Дугме за бежично активирање
2. Лампица за бежично активирање

Ако отказивање успе, лампица за бежично активирање ће сијати црвено 2 секунде, а затим почети да трепти плаво.

НАПОМЕНА: Лампице за бежично активирање ће престати да сијају црвено након 20 секунди. Притисните дугме за бежично активирање на алату када лампица за бежично активирање на усисивачу почне да трепти. Ако лампица за бежично активирање не почне да трепти црвено, једном кратко притисните дугме за бежично активирање, па га опет држите.

Решавање проблема са функцијом бежичног активирања

Пре него што затражите поправку, најпре сами извршите преглед. Уколико наиђете на проблем који није објашњен у упутству, не покушавајте да расклопите алат. Уместо тога тражите поправке од овлашћених сервисних центара Makita и увек користите оригиналне Makita резервне делове приликом поправки.

Неисправно стање	Вероватан узрок (квар)	Отклањање квара
Лампица за бежично активирање не сија / не трепти.	Бежична јединица није постављена у алат. Бежична јединица није правилно постављена у алат.	Правилно поставите бежичну јединицу.
	Контакти на бежичној јединици и/или у отвору су прљави.	Пажљиво обришите прашину и прљавштину са контаката бежичне јединице и очистите отвор.
	Дугме за бежично активирање на алату је притиснуто.	Накратко притисните дугме за бежично активирање на алату.
	Прекидач за стање приправности на усисивачу није постављен на „AUTO“.	Поставите прекидач за стање приправности на усисивачу на „AUTO“.
	Нема напајања струјом	Обезбедите напајање алата и усисивача струјом.
Није могуће довршити регистрацију алата / отказивање регистрације алата.	Бежична јединица није постављена у алат. Бежична јединица није правилно постављена у алат.	Правилно поставите бежичну јединицу.
	Контакти на бежичној јединици и/или у отвору су прљави.	Пажљиво обришите прашину и прљавштину са контаката бежичне јединице и очистите отвор.
	Прекидач за стање приправности на усисивачу није постављен на „AUTO“.	Поставите прекидач за стање приправности на усисивачу на „AUTO“.
	Нема напајања струјом	Обезбедите напајање алата и усисивача струјом.
	Неправилан рад	Накратко притисните дугме за бежично активирање и извршите регистрацију/отказивање алата.
	Алат и усисивач су превише међусобно удаљени (ван домета).	Приближите алат и усисивач. Максималан домет износи око 10 м, али може да варира у зависности од услова.
	Пре довршетка регистрације алата / отказивања; – окидач прекидача на алату је притиснут; – дугме за укључивање на усисивачу је укључено.	Накратко притисните дугме за бежично активирање и извршите регистрацију/отказивање алата.
	Процедура регистрације алата за алат или усисивач није довршена.	Обавите процедуре регистрације за алат и усисивач у исто време.
Усисивач се не активира кад се притисне прекидач на алату.	Бежична јединица није постављена у алат. Бежична јединица није правилно постављена у алат.	Правилно поставите бежичну јединицу.
	Контакти на бежичној јединици и/или у отвору су прљави.	Пажљиво обришите прашину и прљавштину са контаката бежичне јединице и очистите отвор.
	Дугме за бежично активирање на алату је притиснуто.	Накратко притисните дугме за бежично активирање и сачекајте да лампица за бежично активирање почне да трепти плаво.
	Прекидач за стање приправности на усисивачу није постављен на „AUTO“.	Поставите прекидач за стање приправности на усисивачу на „AUTO“.
	Више од 10 алата је регистровано на усисивачу.	Поновите регистрацију алата. Ако је на усисивач регистровано више од 10 алата, најраније регистровани алат ће аутоматски бити избрисан.
	Усисивач је обрисао све регистроване алате.	Поновите регистрацију алата.
	Нема напајања струјом	Обезбедите напајање алата и усисивача струјом.
	Алат и усисивач су превише међусобно удаљени (ван домета).	Приближите алат и усисивач. Максималан домет износи око 10 м, али може да варира у зависности од услова.
Усисивач се покреће и ако окидач прекидача није притиснут.	Радио-смeтње од других апарата који одају радио-таласе високог интензитета.	Држите алат и усисивач подаље од апарата попут Wi-Fi уређаја и микроталасних пећница.
	Други корисници користе функцију бежичног активирања усисивача на својим алатима.	Искључите дугме за бежично активирање на другим алатима или откажите регистрацију других алата.

ОДРЖАВАЊЕ

▲ПАЖЊА: Пре него што почнете с прегледом или одржавањем алата, искључите алат и уклоните уложак батерије.

▲ПАЖЊА: Очистите горњи и доњи штитник да бисте били сигурни да на њима нема нагомилане пиљевине која може да омета рад доњег система штитника. Запрљан систем штитника може да ограничи правилан рад и доведе до тешке телесне повреде. Најефикаснији начин чишћења је чишћење компримованим ваздухом. **Ако прашина лети са штитника, обавезно носите одговарајуће заштитне наочаре и заштиту за дисајне путеве.**

▲ПАЖЊА: Након сваке употребе пребришите опилке са алата. Ситни опилци могу да доспеју у унутрашњост алата и проузрокује квар или пожар.

ОБАВЕШТЕЊЕ: Никад немојте да користите нафту, бензин, разређивач, алкохол и слична средства. Може доћи до губитка боје, деформације или оштећења.

БЕЗБЕДАН и ПОУЗДАН рад алата гарантујемо само ако поправке, свако друго одржавање или подешавање, препустите овлашћеном сервису компаније Makita или фабричком сервису, уз употребу оригиналних резервних делова компаније Makita.

Подешавање прецизности резања у положају 0° или 45°

Ово подешавање је фабрички постављено. Али ако је ово подешавање искључено, можете да је подесите следећим поступком.

1. Олабавите завртње за причвршћивање са предње и задње стране алата како бисте могли да промените угао закосења. Подесите граничник у положај угла резања 0° – 45° ако желите да подесите прецизност резања на 45°.

► **Слика46:** 1. Завртњи за причвршћивање
2. Граничник

2. Поставите основну плочу управно или под углом од 45° на циркуларни лист тестере помоћу троугластог лењира тако што ћете окренути завртањ за подешавање имбус кључем. Можете да користите и угаоник да бисте подесили угао од 0°.

► **Слика47:** 1. Троугао

► **Слика48:** 1. Подешавање завртња под углом од 0° 2. Подешавање завртња под углом од 45°

3. Притегните завртње за причвршћивање и направите пробно резање да бисте проверили да ли сте постигли жељени угао.

Подешавање паралелности

▲ПАЖЊА: Паралелност треба да буде прецизна. У супротном, циркуларни лист тестере може да се усече у шину водилицу а оштећена шина водилица може да доведе до повреда.

Ово подешавање је фабрички постављено. Али ако је ово подешавање искључено, можете да је подесите следећим поступком.

1. Подесите алат на максималну дубину резања.
 2. Уверите се да су све полуге и завртњи затегнути.
 3. Олабавите завртње као што је приказано на слици.
 4. Док отварате доњи штитник, померите задњу страну основе тако да раздаљине А и В постану једнаке.
- **Слика49:** 1. Завртањ 2. Основна плоча
5. Затегните завртње и направите пробно резање да бисте проверили паралелизам.

ОПЦИОНИ ПРИБОР

▲ПАЖЊА: Ова опрема и прибор су предвиђени за употребу са алатом Makita описаним у овом упутству за употребу. Употреба друге опреме и прибора може да доведе до повреда. Користите делове прибора или опрему искључиво за предвиђену намену.

Да бисте добили више детаља у вези са овим прибором, обратите се локалном сервисном центру компаније Makita.

- Циркуларни лист тестере
- Регулатор против расцепкавања (паралелни граничник)
- Кука
- Шина водилица
- Водилица за косо сечење
- Спојница
- Подлошка
- Гумена подлошка
- Подлошка за позиционирање
- Млазница за прашину
- Имбус кључ
- Бежична јединица
- Makita оригинална батерија и пуњач

НАПОМЕНА: Поједине ставке на листи могу бити укључене у садржај паковања алата као стандардна опрема. Оне се могу разликовати од земље до земље.

SPECIFICAȚII

Model:		HS004G
Diametrul pânzei		185 mm - 190 mm
Adâncime maximă de tăiere	la 0°	60,0 mm - 62,5 mm
	la înclinăție de 45°	43,0 mm - 44,5 mm
	la înclinăție de 48°	41,0 mm - 42,0 mm
Turație în gol		6.000 min ⁻¹
Tensiune nominală		Max. 36 V - 40 V cc.
Lungime totală	cu BL4025	322 mm
	cu BL4040	337 mm
Greutate netă		4,4 - 4,7 kg

- Datorită programului nostru continuu de cercetare și dezvoltare, specificațiile pot fi modificate fără o notificare prealabilă.
- Specificațiile și cartușul acumulatorului pot diferi de la țară la țară.
- Greutatea poate diferi în funcție de accesoriu(ii), inclusiv cartușul acumulatorului. În tabel se prezintă combinația cea mai ușoară și cea mai grea, conform Procedurii EPTA 01/2014.

Cartușul acumulatorului și încărcătorul aplicabile

Cartușul acumulatorului	BL4025 / BL4040
Încărcător	DC40RA

- Este posibil ca unele cartușe ale acumulatorilor și încărcătoare menționate mai sus să nu fie disponibile în funcție de regiunea dvs. de reședință.

⚠️AVERTIZARE: Utilizați numai cartușele de acumulator și încărcătoarele enumerate mai sus. Utilizarea oricăror altor cartușe de acumulator și încărcătoare poate duce la rănire și/sau incendiu.

Destinația de utilizare

Mașina este destinată executării tăierilor longitudinale și transversale, drepte și oblice, în lemn, menținând un contact ferm cu piesa de prelucrat. Cu pânze de ferăstrău Makita originale adecvate, pot fi tăiate și alte materiale.

Zgomot

Nivelul de zgomot normal ponderat A determinat în conformitate cu EN62841-2-5:

Nivel de presiune acustică (L_{pA}): 93 dB(A)

Nivel de putere acustică (L_{WA}): 104 dB(A)

Marjă de eroare (K): 3 dB(A)

NOTĂ: Valoarea (valorile) totală(e) a (ale) emisiilor de zgomot declarate a(u) fost măsurată(e) în conformitate cu o metodă de test standard și poate (pot) fi utilizată(e) pentru compararea unei unelte cu alta.

NOTĂ: Valoarea (valorile) totală(e) a (ale) emisiilor de zgomot declarate poate (pot) fi, de asemenea, utilizată(e) într-o evaluare preliminară a expunerii.

⚠️AVERTIZARE: Purtați echipament de protecție pentru urechi.

⚠️AVERTIZARE: Emisiile de zgomot în timpul utilizării efective a unelei electrice poate diferi de valoarea (valorile) nivelului declarat, în funcție de modul în care unealta este utilizată, în special ce fel de piesă este prelucrată.

⚠️AVERTIZARE: Asigurați-vă că identificați măsurile de siguranță pentru a proteja operatorul, acestea fiind bazate pe o estimare a expunerii în condiții reale de utilizare (luând în considerare toate părțile ciclului de operare, precum timpii în care unealta a fost oprită, sau a funcționat în gol, pe lângă timpul de declanșare).

Vibrații

Valoarea totală a vibrațiilor (suma vectorilor tri-axiali) determinată conform EN62841-2-5:

Mod de lucru: tăiere lemn

Emisie de vibrații ($a_{h,W}$): 2,5 m/s² sau mai puțin

Marjă de eroare (K): 1,5 m/s²

Mod de lucru: tăiere metal

Emisie de vibrații ($a_{h,M}$): 2,5 m/s² sau mai puțin

Marjă de eroare (K): 1,5 m/s²

NOTĂ: Valoarea (valorile) totală(e) a (ale) nivelului de vibrații declarat a (au) fost măsurată(e) în conformitate cu o metodă de test standard și poate (pot) fi utilizată(e) pentru compararea unei unelte cu alta.

NOTĂ: Valoarea (valorile) totală(e) a (ale) nivelului de vibrații declarat poate (pot) fi, de asemenea, utilizată(e) într-o evaluare preliminară a expunerii.

⚠️ AVERTIZARE: Nivelul de vibrații în timpul utilizării efective a unelei electrice poate diferi de valoarea (valorile) nivelului declarat, în funcție de modul în care unealta este utilizată, în special ce fel de piesă este prelucrată.

⚠️ AVERTIZARE: Asigurați-vă că identificați măsurile de siguranță pentru a proteja operatorul, acestea fiind bazate pe o estimare a expunerii în condiții reale de utilizare (luând în considerare toate părțile ciclului de operare, precum timpii în care unealta a fost oprită, sau a funcționat în gol, pe lângă timpul de declanșare).

Declarație de conformitate CE

Numai pentru țările europene

Declarația de conformitate CE este inclusă ca Anexa A în acest manual de instrucțiuni.

AVERTIZĂRI DE SIGURANȚĂ

Avertismente generale de siguranță pentru mașinile electrice

⚠️ AVERTIZARE: Citiți toate avertismentele privind siguranța, instrucțiunile, ilustrațiile și specificațiile furnizate cu această sculă electrică. Nerespectarea integrală a instrucțiunilor de mai jos poate cauza electrocutări, incendii și/sau vătămări corporale grave.

Păstrați toate avertismentele și instrucțiunile pentru consultări ulterioare.

Termenul „mașină electrică” din avertisări se referă la mașinile dumneavoastră electrice acționate de la rețea (prin cablu) sau cu acumulator (fără cablu).

Avertismente privind siguranța pentru ferăstrăul circular cu acumulator

Proceduri de tăiere

1. **⚠️ PERICOL:** Țineți mâinile la distanță de zona de tăiere și de pânza de ferăstrău. Țineți a doua mână pe mânerul auxiliar sau pe carcasa motorului. Dacă țineți ferăstrăul cu ambele mâini, acestea nu pot fi tăiate de pânză.

2. **Nu introduceți mâinile sub piesa prelucrată.** Apărătoarea nu vă poate proteja împotriva pânzei sub piesa prelucrată.
 3. **Reglați adâncimea de tăiere la grosimea piesei de prelucrat.** Sub piesa de prelucrat trebuie să fie vizibil mai puțin decât un dinte complet al pânzei.
 4. **Nu țineți niciodată piesa de lucru în mâini sau pe picioare în timpul tăierii. Fixați piesa de lucru pe o platformă stabilă.** Este important să sprijiniți piesa de lucru în mod corespunzător, pentru a minimiza expunerea corpului, riscul de înțepenire a pânzei sau de pierdere a controlului.
- Fig.1
5. **Țineți mașina electrică de suprafețele de prindere izolate atunci când executați o operație la care unealta de tăiere poate intra în contact cu cabluri ascunse.** Contactul cu un cablu aflat sub tensiune va pune sub tensiune și componentele metalice neizolate ale mașinii și ar putea duce la electrocutarea utilizatorului.
 6. **Atunci când tăiați, folosiți întotdeauna un ghidaj apurător sau un ghidaj paralel.** Aceasta va crește acuratețea tăierii și reduce riscul de blocare a pânzei.
 7. **Folosiți întotdeauna pânze cu găuri pentru arbore de dimensiuni și forme corecte (romboidale versus rotunde).** Pânzele care nu se potrivesc cu sistemul de montare al ferăstrăului vor funcționa excentric, provocând pierderea controlului.
 8. **Nu folosiți niciodată șaibe sau șuruburi pentru pânză deteriorate sau necorespunzătoare.** Șaibe și șurubul pentru pânză au fost special concepute pentru acest ferăstrău, în vederea obținerii unei performanțe optime și a siguranței în exploatare.

Cauze ale reculului și avertismente aferente

- reculul este o reacție bruscă la înțepenirea, blocarea sau abaterea de la coliniaritate a pânzei de ferăstrău și cauzează o deplasare necontrolată a ferăstrăului în sus și către operator;
- când pânza este înțepinită sau prinsă strâns de închiderea fantei, pânza se blochează și reacția motorului respinge rapid mașina către operator;
- dacă pânza se răsucește sau nu mai este coliniară cu linia de tăiere, dinții de la marginea posterioară a pânzei se pot înfige în fața superioară a lemnului, cauzând ieșirea pânzei din fantă și saltul acesteia către operator.

Reculul este rezultatul utilizării incorecte a ferăstrăului și/sau al procedurilor sau condițiilor de lucru necorespunzătoare, putând fi evitat prin adoptarea unor măsuri de precauție adecvate prezentate în continuare.

1. **Mențineți o priză fermă cu ambele mâini pe ferăstrău și poziționați-vă brațele astfel încât să contracarați forțele de recul. Poziționați-vă corpul de-o parte sau de cealaltă a pânzei, însă nu pe aceeași linie cu aceasta.** Reculul poate provoca un salt înapoi al ferăstrăului, însă forțele de recul pot fi controlate de operator, dacă se adoptă măsuri de precauție adecvate.
2. **Atunci când pânza se blochează sau atunci când întrerupeți tăierea indiferent de motiv, eliberați butonul declanșator și mențineți ferăstrăul nemiscat în material până când pânza se oprește complet. Nu încercați niciodată să**

scoateți ferăstrăul din piesa prelucrată sau să trageți ferăstrăul înapoi cu pânza aflată în mișcare deoarece există riscul de recul. Investigați cauza blocării pânzei și luați măsuri de eliminare a acesteia.

3. **Atunci când reporniți ferăstrăul din piesa de lucru, centrați pânza de ferăstrău în fantă astfel ca dinții ferăstrăului să nu fie angranjați în material.** Dacă pânza de ferăstrău se blochează, aceasta poate urca pe piesa de lucru sau poate recula din aceasta la repornirea ferăstrăului.
4. **Sprîjiniți panourile mari pentru a minimiza riscul de înțepenire și reculare a pânzei.** Panourile mari tind să se încovoie sub propria greutate. Sub panou trebuie amplasate suporturi pe ambele laturi, lângă linia de tăiere și lângă marginea panoului.

► Fig.2

► Fig.3

5. **Nu folosiți pânze uzate sau deteriorate.** Pânzele neascuțite sau reglate necorespunzător generează o fantă îngustă care cauzează frecare excesivă, înțepenirea pânzei și reculul.
6. **Pârghiile de reglare și blocare a adâncimii și înclinației de tăiere trebuie să fie strânse și fixate înainte de începerea tăierii.** Deplasarea reglajului pânzei în timpul tăierii poate cauza frecare și recul.
7. **Lucrați cu mare atenție atunci când executați o tăiere în pereții existenți sau în alte zone mascate.** Pânza poate tăia obiecte care pot provoca un recul.
8. **Țineți ÎNTOTDEAUNA mașina ferm cu ambele mâini.** Nu vă poziționați NICIODATĂ mâna, piciorul sau orice parte a corpului sau talpa mașinii sau în spatele ferăstrăului, în special atunci când executați retezări. Dacă apare un recul, ferăstrăul poate sări cu ușurință înapoi peste mâna dumneavoastră, provocând vătămări corporale grave.

► Fig.4

9. **Nu forțați niciodată ferăstrăul. Împingeți ferăstrăul înainte la o viteză care să permită pânzei să taie fără să încetinească.** Forțarea ferăstrăului poate genera tăieturi neuniforme, reducerea preciziei și posibile reculuri.

Funcția apărătoare

1. **Înainte de fiecare utilizare, verificați închiderea corectă a apărătorii inferioare. Nu folosiți ferăstrăul dacă apărătoarea inferioară nu se mișcă liber și nu se închide instantaneu. Nu blocați și nici nu legați niciodată apărătoarea inferioară în poziția deschisă.** Dacă scăpați accidental ferăstrăul, apărătoarea inferioară se poate îndoi. Ridicați apărătoarea inferioară cu maneta de retragere și asigurați-vă că aceasta se mișcă liber și nu atinge pânza sau orice altă piesă, la toate unghiurile și adâncimile de tăiere.
2. **Verificați funcționarea arcului apărătorii inferioare. Dacă apărătoarea și arcul nu funcționează corect, acestea trebuie reparate înainte de utilizare.** Apărătoarea inferioară ar putea funcționa anevoios din cauza unor piese defecte, acumulării cleioase sau depunerii de resturi.

3. **Apărătoarea inferioară trebuie retrasă manual numai pentru tăieri speciale, cum ar fi „decupările prin plonjare” și „tăierile combinate”.** Ridicați apărătoarea inferioară cu maneta de retragere și eliberați-o imediat ce pânza pătrunde în material. Pentru toate celelalte tipuri de tăiere, apărătoarea inferioară trebuie să funcționeze automat.
4. **Aveți grijă întotdeauna ca apărătoarea inferioară să acopere pânza înainte de a așeza ferăstrăul pe banc sau podea.** O pânză neprotejată, aflată în rotire liberă, va provoca deplasarea ferăstrăului înapoi, tăind orice obiecte din calea ei. Aveți în vedere timpul necesar pentru oprirea completă a pânzei după eliberarea comutatorului.
5. **Pentru a verifica apărătoarea inferioară, deschideți-o cu mâna, apoi eliberați-o și urmăriți închiderea ei. Verificați, de asemenea, ca maneta de retragere să nu atingă carcasa mașinii.** Lăsarea pânzei expuse este FOARTE PERICULOASĂ și poate conduce la vătămări corporale grave.

Avertismente suplimentare privind siguranța

1. **Lucrați cu mare atenție atunci când tăiați lemn umed, cherestea impregnată sau presiune sau lemn cu noduri.** Păstrați o viteză de avansare uniformă pentru mașină fără reducerea vitezei pânzei, pentru a evita supraîncălzirea dinților pânzei.
2. **Nu încercați să îndepărtați materialul tăiat în timp ce pânza se mișcă. Așteptați ca pânza să se oprească înainte de a apuca materialul tăiat.** Pânzele se rotesc liber după oprire.
3. **Evitați tăierea cuielelor. Inspectați piesa de prelucrat și eliminați toate cuiele din cherestea înainte de tăiere.**
4. **Așezați porțiunea mai lată a tălpii ferăstrăului pe acea porțiune a piesei de prelucrat care este sprîjinită solid, și nu pe porțiunea care va cădea în urma tăierii.** Dacă piesa de prelucrat este scurtă sau mică, fixați-o. **NU ÎNCERCAȚI SĂ ȚINETI PIESELE SCURTE CU MÂNA!**

► Fig.5

5. **Înainte de a așeza mașina după finalizarea unei tăieri, asigurați-vă că apărătoarea inferioară s-a închis și că pânza s-a oprit complet.**
6. **Nu încercați niciodată să tăiați cu ferăstrăul circular fixat în poziție răsturnată într-o menghină. Acest mod de utilizare este extrem de periculos și poate duce la accidente grave.**

► Fig.6

7. **Unele materiale conțin substanțe chimice care pot fi toxice. Aveți grijă să nu inhalați praful și evitați contactul cu pielea. Respectați instrucțiunile de siguranță ale furnizorului.**
8. **Nu opriți pânzele aplicând o presiune laterală asupra pânzei de ferăstrău.**
9. **Nu folosiți discuri abrazive.**
10. **Utilizați numai pânze de ferăstrău cu diametrul marcat pe mașină sau specificat în manual.** Utilizarea unei pânze de altă mărime poate afecta protecția corespunzătoare a pânzei sau funcționarea apărătorii, putând rezulta accidente grave.

11. **Păstrați pânza ascuțită și curată.** Cleiul și rășina întărite pe pânze încetinesc ferăstrăul și măresc riscul de recul. Păstrați pânza curată prin demontarea de pe mașină și curățarea acesteia cu soluție de îndepărtat cleiul și rășina, apă fierbinte sau petrol lampant. Nu folosiți niciodată benzină.
12. **Purtați o mască de protecție contra prafului și mijloace de protecție auditivă atunci când folosiți mașina.**
13. **Întotdeauna utilizați pânza de ferăstrău prevăzută pentru tăierea materialului pe care îl veți tăia.**
14. **Utilizați doar pânze de ferăstrău care sunt marcate cu o turație egală cu sau mai mare decât turația marcată pe mașină.**
15. **(Numai pentru țările europene) Întotdeauna utilizați lama care este conformă cu EN847-1.**
16. **Poziționați mașina și piesele pe o suprafață plană și stabilă.** În caz contrar, mașina sau piesele pot cădea, cauzând accidente.
6. **Nu depozitați mașina și cartușul acumulatorului în spații în care temperatura poate atinge sau depăși 50 °C (122 °F).**
7. **Nu incinerati cartușul acumulatorului chiar dacă acesta este grav deteriorat sau complet uzat. Cartușul acumulatorului poate exploda în foc.**
8. **Nu introduceți cuie în cartușul acumulatorului, nu îl tăiați, striviți, aruncați sau scăpați și nu îl loviți cu un obiect dur.** Astfel de acțiuni pot provoca incendii, căldură excesivă sau explozii.
9. **Nu utilizați un acumulator deteriorat.**
10. **Acumulatorii Li-Ion încorporați se supun cerințelor Legislației privind substanțele periculoase.**
Pentru transporturi comerciale, efectuate de exemplu de către părți terțe, expeditori, trebuie respectate cerințele speciale de ambalare și etichetare.
Pentru pregătirea articolului care urmează să fie expedit, este necesară consultarea unui expert în materiale periculoase. Vă rugăm să respectați, de asemenea, reglementările naționale, care pot fi mai detaliate.
Izolați sau acoperiți contactele deschise și împachetați acumulatorul în așa fel încât să nu se poată mișca în ambalaj.

PĂSTRAȚI ACESTE INSTRUCȚIUNI.

⚠️ AVERTIZARE: NU permiteți comodității și familiarizării cu produsul (obținute prin utilizare repetată) să înlocuiască respectarea strictă a normelor de securitate pentru acest produs. **FOLOSIREA INCORECTĂ** sau nerespectarea normelor de securitate din acest manual de instrucțiuni poate provoca vătămări corporale grave.

Instrucțiuni importante privind siguranța pentru cartușul acumulatorului

1. **Înainte de a folosi cartușul acumulatorului, citiți toate instrucțiunile și atenționările de pe (1) încercătorul acumulatorului, (2) acumulator și (3) produsul care folosește acumulatorul.**
2. **Nu dezasamblați și nu interveniți asupra cartușului acumulatorului.** Acest lucru poate cauza incendii, căldură excesivă sau explozii.
3. **Dacă timpul de funcționare s-a redus excesiv, întrerupeți imediat funcționarea. Aceasta poate prezenta risc de supraîncălzire, posibile arsuri și chiar explozie.**
4. **Dacă electrolitul pătrunde în ochi, clătiți bine ochii cu apă curată și consultați imediat un medic. Există risc de orbire.**
5. **Nu scurtcircuitați cartușul acumulatorului:**
 - (1) Nu atingeți bornele cu niciun material conductor.
 - (2) Evitați depozitarea cartușului acumulatorului la un loc cu alte obiecte metalice cum ar fi cuie, monede etc.
 - (3) Nu expuneți cartușul acumulatorului la apă sau ploaie.
11. **Atunci când eliminați la deșeurile cartușul acumulatorului, scoateți-l din mașină și eliminați-l într-un loc sigur. Respectați normele naționale privind eliminarea la deșeurile a acumulatorului.**
12. **Utilizați acumulatorii numai cu produsele specificate de Makita.** Instalarea acumulatorilor în produse neconforme poate cauza incendii, căldură excesivă, explozii sau scurgeri de electrolit.
13. **Dacă mașina nu este utilizată o perioadă lungă de timp, acumulatorul trebuie scos din acesta.**
14. **În timpul utilizării și după aceea, cartușul acumulatorului se poate încălzi, ceea ce poate cauza arsuri sau arsuri la temperaturi scăzute. Fiți atenți la manipularea cartușelor de acumulator atunci când sunt fierbinți.**
15. **Nu atingeți borna mașinii imediat după utilizare, întrucât se poate încălzi foarte tare și poate provoca arsuri.**
16. **Nu lăsați să pătrundă așchii, praf sau pământ în borne, în orificii și în canelurile cartușului acumulatorului.** Acest lucru poate duce la o performanță slabă sau poate cauza defectarea mașinii sau a cartușului acumulatorului.
17. **Nu utilizați cartușul acumulatorului în apropierea liniilor electrice de înaltă tensiune, cu excepția cazului în care mașina suportă utilizarea în apropierea liniilor electrice de înaltă tensiune.** Acest lucru poate duce la funcționarea necorespunzătoare sau la defectarea mașinii sau a cartușului acumulatorului.

PĂSTRAȚI ACESTE INSTRUCȚIUNI.

Un scurtcircuit al acumulatorului poate provoca un flux puternic de curent electric, supraîncălzire, posibile arsuri și chiar defectarea mașinii.

ATENȚIE: Folosiți numai acumulatori Makita originali. Acumulatorii Makita care nu sunt originali și acumulatorii care au suferit modificări se pot aprinde, provocând incendii, leziuni corporale și daune. De asemenea, anulează garanția oferită de Makita pentru unealta și încărcătorul Makita.

Sfaturi pentru obținerea unei durate maxime de exploatare a acumulatorului

1. Încărcați cartușul acumulatorului înainte de a se descărca complet. Întrerupeți întotdeauna funcționarea mașinii și încărcați cartușul acumulatorului când observați o scădere a puterii mașinii.
2. Nu reîncărcați niciodată un acumulator complet încărcat. Supraîncărcarea va scurta durata de exploatare a acumulatorului.
3. Încărcați cartușul acumulatorului la temperatura camerei, între 10 °C - 40 °C (50 °F - 104 °F). Lăsați un acumulator fierbinte să se răcească înainte de a-l încărca.
4. Atunci când nu utilizați cartușul acumulatorului, scoateți-l din mașină sau din încărcător.
5. Încărcați cartușul acumulatorului în cazul în care nu a fost utilizat pe o perioadă mai lungă (mai mult de șase luni).

Instrucțiuni importante privind siguranța pentru unitatea wireless

1. Nu dezasamblați sau interveniți asupra unității wireless.
2. Țineți unitatea wireless la distanță de copii mici. Dacă este înghițită accidental, consultați imediat un medic.
3. Utilizați unitatea wireless numai cu mașini Makita.
4. Nu expuneți unitatea wireless la ploaie sau la condiții de umiditate.
5. Nu utilizați unitatea wireless în locuri unde temperatura depășește 50 °C.
6. Nu operați unitatea wireless în apropierea unor instrumente medicale, precum stimulatorul cardiac.
7. Nu operați unitatea wireless în apropierea unor dispozitive automate. Dacă sunt operate, dispozitivele automate pot dezvolta funcționări defectuoase sau erori.
8. Nu operați unitatea wireless în locuri cu temperaturi ridicate sau în locuri în care s-ar putea genera electricitate statică sau zgomot electric.
9. Unitatea wireless poate produce câmpuri electromagnetice (CEM), însă acestea nu sunt dăunătoare pentru utilizator.
10. Unitatea wireless este un instrument de precizie. Aveți grijă să nu scăpați sau să loviți unitatea wireless.
11. Evitați să atingeți borna unității wireless cu mâinile neacoperite sau cu materiale metalice.

12. Scoateți întotdeauna acumulatorul din produs atunci când instalați unitatea wireless în acesta.
13. Atunci când deschideți clapeta de închidere a fantei, evitați locurile unde praful sau apa poate pătrunde în fantă. Mențineți întotdeauna curat orificiul de admisie al fantei.
14. Introduceți întotdeauna unitatea wireless în direcția corectă.
15. Nu apăsați cu forță excesivă butonul de activare wireless de pe unitatea wireless și/sau nu apăsați butonul cu un obiect cu o margine ascuțită.
16. Închideți întotdeauna clapeta de închidere a fantei atunci când lucrați.
17. Nu scoateți unitatea wireless din fantă în timp ce mașina este alimentată cu energie. În caz contrar, unitatea wireless poate funcționa defectuos.
18. Nu îndepărtați autocolantul de pe unitatea wireless.
19. Nu aplicați niciun autocolant pe unitatea wireless.
20. Nu lăsați unitatea wireless într-un loc unde s-ar putea genera electricitate statică sau zgomot electric.
21. Nu lăsați unitatea wireless într-un loc supus temperaturilor ridicate, cum ar fi o mașină parcată în soare.
22. Nu lăsați unitatea wireless într-un loc în care se produce praf sau pulbere sau într-un loc unde s-ar putea genera gaze corozive.
23. Schimbarea bruscă de temperatură poate duce la înrourarea unității wireless. Nu utilizați unitatea wireless înainte ca picăturile de rouă să se fi uscat complet.
24. Atunci când curățați unitatea wireless, ștergeți delicat cu o lavetă moale și uscată. Nu utilizați benzină, diluant, vaselină conductivă sau alt produs similar.
25. Atunci când depozitați unitatea wireless, păstrați-o în cutia furnizată sau într-un recipient fără electricitate statică.
26. Nu introduceți în fantă de pe mașină alte dispozitive în afară de unitatea wireless Makita.
27. Nu utilizați mașina dacă clapeta de închidere a fantei este deteriorată. Apa, praful și murdăria care pătrund în fantă pot provoca defectarea.
28. Nu trageți și/sau răsuciți clapeta de închidere mai mult decât este necesar. Puneți la loc clapeta de închidere dacă se desprinde de pe mașină.
29. Înlocuiți clapeta de închidere a fantei dacă se pierde sau dacă este deteriorată.

PĂSTRAȚI ACESTE INSTRUCȚIUNI.

DESCRIEREA FUNCȚIILOR

ATENȚIE: Asigurați-vă întotdeauna că mașina este oprită și cartușul acumulatorului este scos înainte de a ajusta sau verifica funcționarea mașinii.

Instalarea sau scoaterea cartușului acumulatorului

ATENȚIE: Opriti întotdeauna mașina înainte de montarea sau demontarea cartușului de acumulator.

ATENȚIE: Țineți ferm mașina și cartușul acumulatorului la montarea sau demontarea cartușului. În cazul în care nu țineți ferm mașina și cartușul de acumulator, acestea vă pot aluneca din mâini, rezultând defectarea mașinii și cartușului de acumulator, precum și în accidentări personale.

► Fig.7: 1. Indicator roșu 2. Buton 3. Cartușul acumulatorului

Pentru a scoate cartușul acumulatorului, glisați-l din mașină în timp ce glisați butonul de pe partea frontală a cartușului.

Pentru a instala cartușul acumulatorului, aliniați limba de pe cartușul acumulatorului cu canalul din carcasă și introduceți-l în locaș. Introduceți-l complet, până când se înclichează în locaș. Dacă puteți vedea indicatorul roșu din partea superioară a butonului, acesta nu este blocat complet.

ATENȚIE: Instalați întotdeauna cartușul acumulatorului complet, până când indicatorul roșu nu mai este vizibil. În caz contrar, acesta poate cădea accidental din mașină provocând rănirea dumneavoastră sau a persoanelor din jur.

ATENȚIE: Nu forțați cartușul acumulatorului la montare. Dacă acesta nu glisează ușor, înseamnă că a fost introdus incorect.

Sistem de protecție mașină/acumulator

Mașina este prevăzută cu un sistem de protecție mașină/ acumulator. Sistemul întrerupe automat alimentarea motorului pentru a extinde durata de viață a mașinii și acumulatorului. Mașina se va opri automat în timpul funcționării dacă mașina sau acumulatorul se află într-una din situațiile următoare. În unele situații, indicatoarele luminează.

Protecție la suprasarcină

Când mașina este utilizată într-un mod care duce la un consum de curent anormal de ridicat, mașina se va opri automat. În această situație, opriti mașina și întrerupeți aplicația care a dus la suprasolicitarea mașinii. Apoi, reporniți mașina.

Protecție la supraîncălzire

În momentul în care mașina sau bateria se supraîncălzesc, mașina se oprește automat și lampa luminează intermitent. În acest caz, lăsați mașina și acumulatorul să se răcească înainte de a reporni mașina.

Protecție la supradescărcare

Când capacitatea acumulatorului scade, mașina se oprește automat. Dacă produsul nu funcționează deși întrerupătoarele sunt acționate, scoateți acumulatorii din mașină și încărcați-i.

Indicarea capacității rămase a acumulatorului

Apăsăți butonul de verificare de pe cartușul acumulatorului, astfel încât să se indice capacitățile rămase ale acumulatorului. Lămpile indicatorului vor lumina timp de câteva secunde.

► Fig.8: 1. Lămpi indicatoare 2. Buton de verificare

Lămpi indicatoare			Capacitate rămasă
Iluminat	Oprit	Iluminare intermitentă	
■	□	▩	Între 75% și 100%
■	■	■	Între 50% și 75%
■	□	□	Între 25% și 50%
■	□	□	Între 0% și 25%
▩	□	□	Încărcați acumulatorul.
■	■	□	Este posibil ca acumulatorul să fie defect.
□	□	■	

NOTĂ: În funcție de condițiile de utilizare și temperatura ambientală, indicația poate fi ușor diferită de capacitatea reală.

Acționarea întrerupătorului

AVERTIZARE: Înainte de a introduce cartușul acumulatorului în mașină, verificați întotdeauna dacă butonul declanșator funcționează corect și revine în poziția „OFF” (oprit) când este eliberat.

AVERTIZARE: Nu dezactivați NICIODATĂ butonul de deblocare prin fixare cu bandă sau prin alte mijloace. Un comutator de deblocare anulat poate duce la operarea accidentală, cauzând potențiale leziuni grave.

AVERTIZARE: Nu utilizați NICIODATĂ mașina dacă aceasta pornește la simpla apăsare a butonului declanșator, fără a apăsa butonul de deblocare. Un comutator defect poate duce la operarea accidentală, cauzând leziuni grave. Returnați mașina la un centru de service Makita pentru efectuarea reparațiilor corespunzătoare ÎNAINTE de a continua utilizarea acesteia.

Pentru a preveni acționarea accidentală a butonului declanșator, este prevăzută un buton de deblocare. Pentru a porni mașina, apăsați butonul de deblocare și trageți butonul declanșator. Eliberați butonul declanșator pentru a opri mașina.

► Fig.9: 1. Buton declanșator 2. Buton de deblocare

NOTĂ: Nu apăsați puternic butonul declanșator fără a apăsa butonul de deblocare. Comutatorul se poate rupe.

ATENȚIE: Mașina începe să frâneze rotația pânzei de ferăstrău circular imediat după ce eliberați butonul declanșator. Țineți mașina ferm pentru a controla reacția frânei atunci când eliberați butonul declanșator. Ca urmare a unei reacții bruște, mașina vă poate scăpa din mână, vătămându-vă.




Funcție de schimbare automată a turației

Această mașină are un „mod de turație ridicată” și un „mod de cuplu ridicat”.

Mașina schimbă automat modul de operare în funcție de sarcina de lucru. Atunci când sarcina de lucru este scăzută, mașina va funcționa în „modul de turație ridicată”, pentru o operație de tăiere mai rapidă. Atunci când sarcina de lucru este ridicată, mașina va funcționa în „modul de cuplu ridicat”, pentru o operație de tăiere puternică.

► Fig.10: 1. Indicator mod

Indicatorul de mod luminează în culoarea verde atunci când mașina funcționează în „modul de cuplu ridicat”. Dacă mașina este utilizată cu sarcină excesivă, indicatorul de mod va lumina intermitent în verde. Indicatorul de mod încetează să lumineze intermitent și apoi se aprinde sau se stinge dacă reduceți sarcina de la mașină.

Stare indicator mod			Mod de operare
<input checked="" type="radio"/> Pornit	<input type="radio"/> Oprit	<input checked="" type="radio"/> Iluminare intermitentă	
			Mod turație ridicată
			Mod cuplu ridicat
			Alertă de suprasarcină

Reglarea adâncimii de tăiere

ATENȚIE: După reglarea adâncimii de tăiere, strângeți întotdeauna ferm pârghia.

Slăbiți pârghia de la ghidajul de reglare a adâncimii și deplasați talpa în sus sau în jos. Fixați talpa la adâncimea de tăiere dorită prin strângerea pârghiei. Pentru tăieturi mai curate și mai sigure, reglați adâncimea de tăiere astfel încât să nu iasă mai mulți dinți ai pânzei sub piesa de lucru. Utilizarea unei adâncimi de tăiere corecte ajută la reducerea potențialului de apariție a unui RECUL periculos, care poate provoca vătămări.

► Fig.11: 1. Pârghie

Tăiere înclinată

ATENȚIE: După reglarea unghiului de înclinație, strângeți întotdeauna ferm șuruburile de strângere.

Slăbiți șuruburile de strângere. Stabiliți unghiul dorit prin înclinare adecvată, apoi strângeți ferm șuruburile de strângere.

► Fig.12: 1. Șurub de strângere

Utilizați opritorul atunci când efectuați o tăiere exact în unghi de 45°. Rotiți complet opritorul, după cum se arată în ilustrații, în funcție de tăierea înclinată la 0° - 45° sau la 0° - 48°.

► Fig.13: 1. Opritor

Reperare

Pentru tăieri drepte, aliniați poziția de 0° din partea frontală a tălpii cu linia dumneavoastră de tăiere. Pentru tăieri înclinate la 45°, aliniați poziția de 45°.

► Fig.14: 1. Linie de tăiere (poziție de 0°) 2. Linie de tăiere (poziție de 45°)

Aprinderea lămpii

ATENȚIE: Nu priviți direct în raza sau în sursa de lumină.

Pentru a aprinde lampa fără a porni mașina, acționați butonul declanșator fără a apăsa butonul de deblocare. Pentru a aprinde lampa cu mașina în funcțiune, țineți apăsat butonul de deblocare și acționați butonul declanșator.

Lampa se stinge după 10 secunde de la eliberarea butonului declanșator.

► Fig.15: 1. Lampă

NOTĂ: Folosiți o lavetă uscată pentru a șterge murdăria de pe lentila lămpii. Aveți grijă să nu zgâriați lentila lămpii deoarece, în caz contrar, iluminarea va fi redusă.

NOTĂ: Când mașina este supraîncălzită, lampa iluminează intermitent timp de un minut. În acest caz, așteptați ca mașina să se răcească înainte de altă utilizare.

Cârlig

Accesorii opționale

ATENȚIE: Scoateți întotdeauna acumulatorul atunci când agățați mașina de agățătoare.

ATENȚIE: Nu agățați niciodată mașina în locuri înalte sau potențial instabile, cum ar fi pe suprafețe. În caz contrar, mașina se poate dezechilibra și cădea.

ATENȚIE: Nu trageți de mașină în jos atunci când este agățată.

Cârligul este util pentru suspendarea temporară a mașinii.

► Fig.16

Prindeți cârligul cu șuruburi, astfel cum se arată în ilustrații.

► Fig.17: 1. Cârlig 2. Șurub

Pentru a folosi cârligul, rotiți pur și simplu cârligul până când se blochează în poziție deschisă.

Când nu îl folosiți, rotiți întotdeauna cârligul până când se blochează în poziție închisă.

► Fig.18: 1. Poziție deschisă 2. Poziție închisă

Frână electrică

Această mașină este echipată cu o frână electrică pentru pânză. Dacă, de regulă, mașina nu oprește rapid pânza de ferăstrău circular după eliberarea pârghiei de comutare, solicitați repararea acesteia la un centru de service Makita.

⚠️ ATENȚIE: Sistemul de frânare al pânzei nu înlocuiește apărătoarea pânzei. **NU UTILIZAȚI NICIODATĂ MAȘINA FĂRĂ O APĂRĂTOARE FUNCȚIONALĂ A PÂNZEI. VĂ PUTEȚI ACCIDENTA GRAV.**

Funcție electronică

Mașinile echipate cu funcție electronică sunt ușor de utilizat datorită următoarei (următoarelor) caracteristici.

Funcție de pornire lină

Pornire lină datorită suprimării șocului de pornire.

ASAMBLARE

⚠️ ATENȚIE: Asigurați-vă întotdeauna că mașina este oprită și cartușul acumulatorului este scos înainte de a executa orice lucrări la mașină.

Depozitarea cheii imbus

Atunci când nu este utilizată, depozitați cheia imbus după cum se vede în figură pentru a nu se pierde.

► Fig.19: 1. Cheie imbus

Demontarea sau montarea pânzei de ferăstrău circular

⚠️ ATENȚIE: Asigurați-vă că pânza de ferăstrău circular este montată cu dinții îndreptați în sus în partea frontală a mașinii.

⚠️ ATENȚIE: Folosiți numai cheia Makita la montarea și demontarea pânzei de ferăstrău circular.

Pentru a scoate pânza de ferăstrău circular, apăsați complet pârghia de blocare a axului, astfel încât pânza de ferăstrău circular să nu se poată roti și folosiți cheia imbus pentru a slăbi șurubul cu cap hexagonal. Apoi, scoateți șurubul cu cap hexagonal, flanșa exterioră, pânza de ferăstrău circular și inelul (în funcție de țară).

► Fig.20: 1. Pârghie de blocare a axului 2. Cheie imbus 3. Deșurubare 4. Strângere

Pentru mașină fără inel

► Fig.21: 1. Șurub cu cap hexagonal 2. Flanșă exterioră 3. Pânză de ferăstrău circular 4. Săgeată pe pânza de ferăstrău circular 5. Flanșă interioară 6. Săgeată pe mașină

Pentru mașină cu inel

► Fig.22: 1. Șurub cu cap hexagonal 2. Flanșă exterioră 3. Pânză de ferăstrău circular 4. Săgeată pe pânza de ferăstrău circular 5. Inel 6. Flanșă interioară 7. Săgeată pe mașină

Pentru a instala pânza de ferăstrău circular, executați în ordine inversă operațiile de demontare.

Aliniați direcția săgeții de pe pânză cu săgeata de pe mașină.

Pentru mașină cu flanșă interioară pentru o pânză de ferăstrău cu un orificiu diferit de orificiul cu diametru de 15,88 mm

Flanșa interioară are o proeminență cu un anumit diametru pe o parte și o proeminență cu un diametru diferit pe cealaltă parte. Alegeți partea corectă cu proeminență care se încadrează perfect în orificiul pânzei de ferăstrău. Montați flanșa interioară pe axul de montare, astfel încât partea corectă a proeminenței de pe flanșa interioară să fie orientată în exterior și apoi instalați pânza de ferăstrău și flanșa exterioră.

► Fig.23: 1. Ax de montare 2. Flanșă interioară 3. Pânză de ferăstrău circular 4. Flanșă exterioră 5. Șurub cu cap hexagonal

⚠️ AVERTIZARE: ASIGURAȚI-VĂ CĂ STRÂNGETI FERM, ÎN SENS ORAR, ȘURUBUL CU CAP HEXAGONAL. Aveți grijă să nu forțați șurubul la strângere. Alunecarea mâinii pe cheia imbus poate provoca vătămarea personală.

⚠️ AVERTIZARE: Asigurați-vă că proeminența „a” de pe flanșa interioară, poziționată în exterior, se încadrează perfect în orificiul „a” al pânzei de ferăstrău. Montarea pânzei pe partea incorectă poate duce la vibrații periculoase.

Pentru mașină cu flanșă interioară pentru o pânză de ferăstrău cu orificiul cu diametru de 15,88 mm (în funcție de țară)

Montați flanșa interioară cu cavitatea orientată în exterior spre axul de montare, apoi instalați pânza de ferăstrău (cu inelul atașat, dacă este necesar), flanșa exterioră și șurubul cu cap hexagonal.

Pentru mașină fără inel

► Fig.24: 1. Ax de montare 2. Flanșă interioară 3. Pânză de ferăstrău circular 4. Flanșă exterioră 5. Șurub cu cap hexagonal

Pentru mașină cu inel

► Fig.25: 1. Ax de montare 2. Flanșă interioară 3. Pânză de ferăstrău circular 4. Flanșă exterioră 5. Șurub cu cap hexagonal 6. Inel

⚠️ AVERTIZARE: ASIGURAȚI-VĂ CĂ STRĂNGEȚI FERM, ÎN SENS ORAR, ȘURUBUL CU CAP HEXAGONAL. Aveți grijă să nu forțați șurubul la strângere. Alunecarea mâinii pe cheia imbus poate provoca vătămarea personală.

⚠️ AVERTIZARE: Dacă este nevoie de inel pentru a monta pânda pe arbore, asigurați-vă întotdeauna că între flansa interioară și cea exterioară este instalat inelul corect pentru orificiul de arbore al pânzei pe care intenționați să o folosiți. Utilizarea unui inel de arbore incorect poate duce la montarea necorespunzătoare a pânzei, rezultând mișcarea și vibrarea puternică a acesteia, posibila pierdere a controlului și accidentări grave.

Curățarea apărătorii pânzei

La schimbarea pânzei de ferăstrău circular, aveți grijă să curățați și rumegușul acumulat pe apărătorile superioară și inferioară ale pânzei, conform secțiunii Întreținerea. Această operație nu elimină necesitatea de a verifica funcționarea apărătorii inferioare înainte de fiecare utilizare.

Conectarea unui aspirator

Dacă doriți să executați operații de tăiere curate, conectați la mașina dumneavoastră un aspirator Makita. Conectați un furtun al aspiratorului la duza de praf, în modul prezentat în figură.

► **Fig.26:** 1. Duză de praf 2. Șurub

► **Fig.27:** 1. Furtun 2. Aspirator

OPERAREA

Această mașină este destinată tăierii produselor din lemn. Cu pânda de ferăstrău circular Makita, originale, adecvate, pot fi tăiate și următoarele materiale:

- produse din aluminiu

Consultați site-ul nostru web sau contactați distribuitorul local Makita pentru pânzele de ferăstrău circular adecvate materialului care va fi tăiat.

Verificarea funcționării apărătoarei pânzei

Setați unghiul de înclinație la 0° și apoi retrageți manual opritorul inferior până la capăt și eliberați-l. Opritorul inferior funcționează corespunzător dacă:

- este retras deasupra tălpii fără a fi împiedicat de obstacole și
- revine automat și intră în contact cu opritorul.

► **Fig.28:** 1. Opritorul superior 2. Opritorul inferior 3. Tălpă 4. Opritor 5. Deschis 6. Închis

Dacă opritorul inferior nu funcționează corespunzător, verificați dacă s-a acumulat rumeguș în interiorul opritoarelor superioare și inferioare. Dacă opritorul inferior nu funcționează corespunzător chiar dacă ați îndepărtat rumegușul, solicitați repararea mașinii la un centru de service Makita.

Operația de debitare

⚠️ ATENȚIE: Purtați o mască de protecție contra prafului atunci când executați operația de debitare.

⚠️ ATENȚIE: Aveți grijă să deplasați mașina înainte lent, în linie dreaptă. Forțarea sau răscucirea mașinii vor avea ca efect supraîncălzirea motorului și reculuri periculoase, prezentând risc de vătămare gravă.

NOTĂ: Când temperatura cartușului acumulatorului este redusă, mașina nu va lucra la capacitatea nominală. În acest caz, utilizați un timp mașina pentru a efectua tăieri ușoare până când cartușul acumulatorului ajunge la temperatura încăperii. Apoi, mașina poate fi utilizată la capacitatea nominală.

► **Fig.29**

Țineți bine mașina. Mașina este echipată cu un mâner frontal de prindere, precum și cu un mâner în partea din spate. Folosiți-le pe ambele pentru a apuca ferm mașina. Dacă țineți ferăstrăul cu ambele mâini, nu există riscul tăierii acestora cu pânda de ferăstrău circular. Așezați talpa pe piesa de prelucrat fără ca pânda de ferăstrău circular să intre în contact cu aceasta. Apoi porniți mașina și așteptați ca pânda de ferăstrău circular să atingă viteza maximă. Acum, deplasați mașina înainte pe suprafața piesei de prelucrat, păstrând-o orizontală și avansând ușor până când tăierea este finalizată. Pentru a obține tăieturi curate, mențineți o linie de tăiere dreaptă și o viteză de avans uniformă. Dacă nu reușiți să urmăriți corect linia de tăiere preconizată, nu încercați să rotiți sau să forțați mașina înapoi către linia de tăiere. Dacă faceți acest lucru, puteți să îndoiți pânda de ferăstrău circular, existând riscul unor reculuri periculoase și posibile vătămări grave. Eliberați butonul declanșator, așteptați ca pânda de ferăstrău circular să se oprească și apoi retrageți mașina. Realiniați mașina cu noua linie de tăiere și reîncepeți tăierea. Încercați să evitați pozițiile care expun operatorul la așchiile și rumegușul aruncate de ferăstrău. Utilizați dispozitive de protecție a ochilor pentru a evita vătămarea.

Ghidaj opritor (riglă de ghidare)

⚠️ ATENȚIE: Asigurați-vă că ghidajul opritor este montat în condiții de siguranță în poziția corectă înainte de utilizare. Atașarea necorespunzătoare poate cauza un recul periculos.

► **Fig.30:** 1. Ghidaj opritor (riglă de ghidare) 2. Șurub de strângere

Rigla de ghidare practică vă permite să executați tăieturi drepte extrem de precise. Lipiți pur și simplu rigla de ghidare pe latura piesei de prelucrat și fixați-o în poziție cu șurubul de la partea din față a tălpii. Aceasta permite, de asemenea, executarea de tăieri repetate de lățime uniformă.

Șină de ghidare

Accesorii opționale

Așezați mașina pe capătul posterior al șinei de ghidare. Rotiți două șuruburi de reglare de pe talpa mașinii, astfel încât mașina să gliseze lin, fără bătaii. Țineți mașina ferm atât de mânerul frontal, cât și de mânerul posterior. Porniți mașina și tăiați aparatoarea de așchii pe toată lungimea dintr-o singură mișcare. Acum, muchia aparatoarei de așchii corespunde cu muchia de tăiere.

► **Fig.31:** 1. Șuruburi de reglare

Când executați tăierea înclinată cu șina de ghidare, utilizați pârghia glisantă pentru a preveni răsturnarea mașinii. Mutați pârghia glisantă pe talpa mașinii în direcția săgeții, astfel încât să intre în canelura interioară din șina de ghidare.

► **Fig.32:** 1. Pârghie glisantă

Conexiune curea (curea de prindere)

⚠️ Avertismente de siguranță specifice utilizării la înălțime

Citiți toate avertismentele de siguranță și toate instrucțiunile. Nerespectarea avertizărilor și instrucțiunilor poate conduce la vătămări grave.

1. **Atașați întotdeauna uneltei o curea atunci când lucrați „la înălțime”.** Lungimea maximă a curelei este de 2 m (6,5 ft). Înălțimea de cădere maximă admisă a curelei (cureaua de prindere) nu trebuie să depășească 2 m (6,5 ft).
2. **Utilizați doar curele adecvate pentru acest tip de unealtă și aprobate pentru a susține o greutate de cel puțin 7,0 kg (15,4 lbs).**
3. **Nu ancorați cureaua uneltei de corpul dvs. sau de componente mobile.** Ancorați cureaua uneltei de o structură rigidă care să poată susține forțele unei unelte aflate în cădere.
4. **Asigurați-vă că ați fixat bine cureaua la fiecare capăt înainte de utilizare.**
5. **Inspectați uneltea și cureaua înainte de fiecare utilizare pentru a identifica potențialele defecțiuni și dacă funcționarea este corectă (incluzând materialele textile și cusăturile).** Nu continuați dacă observați defecțiuni sau dacă nu funcționează corespunzător.
6. **Nu înfășurați curelele în jurul dvs. și nu le permiteți să intre în contact cu muchii ascuțiți sau aspre.**
7. **Prindeți fiecare capăt al curelei în afara zonei de lucru, pentru a putea fixa bine o unealtă în cădere.**
8. **Atașați cureaua astfel încât uneltea să se distanțeze de operator în cazul în care cade.** Uneltele căzute vor rămâne agățate de curea, ceea ce ar putea provoca vătămări sau pierderea echilibrului.
9. **Nu utilizați în apropierea pieselor în mișcare sau a utilajelor în funcțiune.** În caz contrar, pot apărea accidente sau pericole.
10. **Nu țineți uneltea de dispozitivul de atașare sau de curea.**
11. **Mutați uneltea dintr-o mână în alta doar dacă sunteți într-o poziție echilibrată.**

12. **Nu atașați curelele de unealtă într-un mod care poate împiedica funcționarea corespunzătoare a aparatoarelor, a butoanelor sau pârghiilor de deblocare.**
13. **Evitați încurcarea în curea.**
14. **Țineți cureaua la distanță de zona de tăiere a uneltei.**
15. **Utilizați carabine acționate multiplu și cu șuruburi. Nu utilizați carabine cu o singură acționare și cu arc.**
16. **În cazul în care uneltea cade de la înălțime, trebuie etichetată și scoasă din funcțiune și trebuie inspectată de o fabrică Makita sau de un centru autorizat de service.**

► **Fig.33:** 1. Orificiu pentru curea (cureaua de prindere)

FUNCȚIA DE ACTIVARE WIRELESS

Ce puteți face cu funcția de activare wireless

Funcția de activare wireless face posibilă o utilizare curată și confortabilă. Conectând un aspirator acceptat la mașină, puteți rula automat aspiratorul, împreună cu operația de comutare a mașinii.

► **Fig.34**

Pentru a utiliza funcția de activare wireless, pregătiți următoarele elemente:

- O unitate wireless (accesoriu opțional)
- Un aspirator care acceptă funcția de activare wireless

Prezentarea generală a setării funcției de activare wireless este după cum urmează. Consultați fiecare secțiune pentru proceduri detaliate.

1. Instalarea unității wireless
2. Înregistrarea mașinii pentru aspirator
3. Pornirea funcției de activare wireless

Instalarea unității wireless

Accesoriu opțional

⚠️ ATENȚIE: Așezați mașina pe o suprafață plană și stabilă atunci când instalați unitatea wireless.

NOTĂ: Curățați praful și murdăria de pe mașină înainte de a instala unitatea wireless. Praful sau murdăria poate cauza funcționarea defectuoasă dacă pătrunde în fanta unității wireless.

NOTĂ: Pentru a preveni funcționarea defectuoasă cauzată de energia statică, atingeți un material de descărcare statică, precum o parte din metal a mașinii, înainte de a ridica unitatea wireless.

NOTĂ: Atunci când instalați unitatea wireless, asigurați-vă întotdeauna de introducerea unității wireless în direcția corectă și de închiderea completă a clapetei de închidere.

1. Deschideți clapeta de închidere de pe mașină după cum se vede în figură.

► **Fig.35:** 1. Clapetă de închidere

2. Introduceți unitatea wireless în fantă și apoi închideți clapeta de închidere.

Atunci când introduceți unitatea wireless, aliniați proeminențele cu porțiunile înfundate de pe fantă.

► **Fig.36:** 1. Unitate wireless 2. Proeminență
3. Clapetă de închidere 4. Porțiune înfundată

Atunci când scoateți unitatea wireless, deschideți lent clapeta de închidere. Cârligele de pe partea din spate a clapetei de închidere ridică unitatea wireless pe măsură ce trageți în sus clapeta de închidere.

► **Fig.37:** 1. Unitate wireless 2. Cârlig 3. Clapetă de închidere

După ce scoateți unitatea wireless, păstrați-o în cutia furnizată sau într-un recipient fără electricitate statică.

NOTĂ: Utilizați întotdeauna cârligele de pe partea din spate a clapetei de închidere atunci când scoateți unitatea wireless. În cazul în care cârligele nu prind unitatea wireless, închideți complet clapeta de închidere și deschideți-o din nou lent.

Înregistrarea mașinii pentru aspirator

NOTĂ: Pentru înregistrarea mașinii este necesar un aspirator Makita care acceptă funcția de activare wireless.

NOTĂ: Finalizați instalarea unității wireless la mașină înainte de a începe înregistrarea mașinii.

NOTĂ: În timpul înregistrării mașinii, nu trageți butonul declanșator și nu porniți întrerupătorul de pornire/oprire de pe aspirator.

NOTĂ: Consultați de asemenea manualul de instrucțiuni al aspiratorului.

Dacă doriți să activați aspiratorul odată cu operația de comutare a mașinii, finalizați mai întâi înregistrarea mașinii.

1. Instalați acumulatorii la aspirator și la mașină.

2. Seteziți comutatorul de stare de așteptare de pe aspirator pe „AUTO”.

► **Fig.38:** 1. Comutator de stare de așteptare

3. Apăsăți butonul de activare wireless de pe aspirator timp de 3 secunde până când lampa de activare wireless luminează intermitent cu verde. Apoi, apăsați butonul de activare wireless de pe mașină în același mod.

► **Fig.39:** 1. Buton de activare wireless 2. Lampă de activare wireless

Dacă aspiratorul și mașina sunt conectate cu succes, lămpile de activare wireless se vor aprinde cu verde timp de 2 secunde și vor începe să lumineze intermitent cu albastru.

NOTĂ: Lămpile de activare wireless încetează să lumineze intermitent cu verde după scurgerea a 20 de secunde. Apăsăți butonul de activare wireless de pe mașină în timp ce lampa de activare wireless de pe aparatul de curățat luminează intermitent. Dacă lampa de activare wireless nu luminează intermitent cu verde, apăsați scurt butonul de activare wireless și țineți-l din nou apăsat.

NOTĂ: Atunci când efectuați două sau mai multe înregistrări ale mașinii pentru un aspirator, finalizați pe rând fiecare înregistrare.

Pornirea funcției de activare wireless

NOTĂ: Finalizați înregistrarea mașinii pentru aspirator înainte de activarea wireless.

NOTĂ: Consultați de asemenea manualul de instrucțiuni al aspiratorului.

După înregistrarea unei mașini la aspirator, aspiratorul va rula automat, împreună cu operația de comutare a mașinii.

1. Instalați unitatea wireless la mașină.

2. Conectați furtunul aspiratorului cu mașina.

► **Fig.40**

3. Seteziți comutatorul de stare de așteptare de pe aspirator pe „AUTO”.

► **Fig.41:** 1. Comutator de stare de așteptare

4. Apăsăți scurt butonul de activare wireless de pe mașină. Lampa de activare wireless va lumina intermitent cu albastru.

► **Fig.42:** 1. Buton de activare wireless 2. Lampă de activare wireless

5. Trageți butonul declanșator al mașinii. Verificați dacă aspiratorul funcționează în timp ce se trage butonul declanșator.

Pentru a opri activarea wireless a aspiratorului, apăsați butonul de activare wireless de pe mașină.

NOTĂ: Lampa de activare wireless de pe mașină va înceta să lumineze intermitent cu albastru atunci când nu există funcționare timp de 2 ore. În acest caz, seteziți comutatorul de stare de așteptare de pe aspirator pe „AUTO” și apăsați din nou buton de activare wireless.

NOTĂ: Aspiratorul pornește/se oprește cu o amănare. Există o întârziere atunci când aspiratorul detectează o operație de comutare a mașinii.










NOTĂ: Distanța de transmisie a unității wireless poate varia în funcție de locație și circumstanțele aferente.

NOTĂ: Atunci când două sau mai multe mașini sunt înregistrate la un aspirator, aspiratorul poate începe să ruleze chiar dacă nu trageți butonul declanșator, deoarece un alt utilizator folosește funcția de activare wireless.

Descrierea stării lămpii de activare wireless

► Fig.43: 1. Lampă de activare wireless

Lampa de activare wireless indică starea funcției de activare wireless. Consultați tabelul de mai jos pentru semnificația stării lămpii.

Stare	Lampă de activare wireless			Durată	Descriere
	Culoare	 Pornit	 Iluminare intermitentă		
Standby	Albastru			2 ore	Activarea wireless a aspiratorului este disponibilă. Lampa se va stinge automat atunci când nu are loc nicio operație timp de 2 ore.
				Atunci când mașina este în funcțiune.	Activarea wireless a aspiratorului este disponibilă și mașina este în funcțiune.
Înregistrarea mașinii	Verde			20 secunde	Gata pentru înregistrarea mașinii. Se așteaptă înregistrarea de către aspirator.
				2 secunde	Înregistrarea mașinii a fost finalizată. Lampa de activare wireless va începe să lumineze intermitent cu albastru.
Anularea înregistrării mașinii	Roșu			20 secunde	Gata pentru anularea înregistrării mașinii. Se așteaptă anularea de către aspirator.
				2 secunde	Anularea înregistrării mașinii a fost finalizată. Lampa de activare wireless va începe să lumineze intermitent cu albastru.
Altele	Roșu			3 secunde	Unitatea wireless este alimentată cu energie și se lansează funcția de activare wireless.
	Oprit	-		-	Activarea wireless a aspiratorului este oprită.

Anularea înregistrării mașinii pentru aspirator

Efectuați următoarea procedură atunci când anulați înregistrarea mașinii pentru aspirator.

1. Instalați acumulatorii la aspirator și la mașină.
2. Setări comutatorul de stare de așteptare de pe aspirator pe „AUTO”.

► Fig.44: 1. Comutator de stare de așteptare

3. Apăsăți butonul de activare wireless de pe aspirator timp de 6 secunde. Lampă de activare wireless luminează intermitent cu verde și apoi devine roșie. După aceasta, apăsați butonul de activare wireless de pe mașină în același mod.

► Fig.45: 1. Buton de activare wireless 2. Lampă de activare wireless

Dacă anularea este efectuată cu succes, lămpile de activare wireless se vor aprinde cu roșu timp de 2 secunde și vor începe să lumineze intermitent cu albastru.

NOTĂ: Lămpile de activare wireless încetează să lumineze intermitent cu roșu după scurgerea a 20 de secunde. Apăsăți butonul de activare wireless de pe mașină în timp ce lampa de activare wireless de pe aparatul de curățat luminează intermitent. Dacă lampa de activare wireless nu luminează intermitent cu roșu, apăsați scurt butonul de activare wireless și țineți-l din nou apăsat.

Depanarea funcției de activare wireless

Înainte de a solicita reparații, efectuați mai întâi propria inspecție. În cazul în care găsiți o problemă care nu este explicată în manual, nu încercați să demontați echipamentul. În schimb, adresați-vă Centrelor de service autorizate Makita, utilizând întotdeauna piese de schimb Makita pentru reparații.

Stare de anormalitate	Cauză probabilă (defecțiune)	Remediu
Lampa de activare wireless nu se aprinde/nu luminează intermitent.	Unitatea wireless nu este instalată în mașină. Unitatea wireless este instalată necorespunzător în mașină.	Instalați corect unitatea wireless.
	Borna unității wireless și/sau fanta este murdară.	Ștergeți delicat praful și murdăria de pe borna unității wireless și curățați fanta.
	Butonul de activare wireless de pe mașină nu a fost apăsat.	Apăsați scurt butonul de activare wireless de pe mașină.
	Comutatorul de stare de așteptare de pe aspirator nu este setat pe „AUTO”.	Setați comutatorul de stare de așteptare de pe aspirator pe „AUTO”.
	Nicio sursă de alimentare	Alimentați cu energie mașina și aspiratorul.
Înregistrarea mașinii/anularea înregistrării mașinii nu poate fi finalizată cu succes.	Unitatea wireless nu este instalată în mașină. Unitatea wireless este instalată necorespunzător în mașină.	Instalați corect unitatea wireless.
	Borna unității wireless și/sau fanta este murdară.	Ștergeți delicat praful și murdăria de pe borna unității wireless și curățați fanta.
	Comutatorul de stare de așteptare de pe aspirator nu este setat pe „AUTO”.	Setați comutatorul de stare de așteptare de pe aspirator pe „AUTO”.
	Nicio sursă de alimentare	Alimentați cu energie mașina și aspiratorul.
	Funcționare incorectă	Apăsați scurt butonul de activare wireless și efectuați din nou procedurile de înregistrare/anulare.
	Mașina și aspiratorul se află la distanță unul de celălalt (în afara ariei de transmisie).	Aduceți mașina și aspiratorul mai aproape unul de celălalt. Distanța maximă de transmisie este de aproximativ 10 m, însă aceasta poate varia în funcție de circumstanțe.
	Înainte de a finaliza înregistrarea mașinii/anularea - butonul declanșator de pe mașină este tras sau - butonul de pornire de pe aspirator este activat.	Apăsați scurt butonul de activare wireless și efectuați din nou procedurile de înregistrare/anulare.
	Procedurile de înregistrare a mașinii pentru mașină sau aspirator nu au fost finalizate.	Efectuați procedurile de înregistrare a mașinii atât pentru mașină, cât și aspirator, în același timp.
	Perturbații radioelectrice de la alte aparate care generează unde radio de mare intensitate.	Țineți mașina și aspiratorul la distanță de aparate precum dispozitive Wi-Fi și cuptoare cu microunde.
Aspiratorul nu funcționează odată cu operația de comutare a mașinii.	Unitatea wireless nu este instalată în mașină. Unitatea wireless este instalată necorespunzător în mașină.	Instalați corect unitatea wireless.
	Borna unității wireless și/sau fanta este murdară.	Ștergeți delicat praful și murdăria de pe borna unității wireless și curățați fanta.
	Butonul de activare wireless de pe mașină nu a fost apăsat.	Apăsați scurt butonul de activare wireless și asigurați-vă că lampa de activare wireless luminează intermitent cu albastru.
	Comutatorul de stare de așteptare de pe aspirator nu este setat pe „AUTO”.	Setați comutatorul de stare de așteptare de pe aspirator pe „AUTO”.
	La aspirator sunt înregistrate mai mult de 10 mașini.	Efectuați din nou înregistrarea mașinii. Dacă la aspirator sunt înregistrate mai mult de 10 mașini, mașina înregistrată prima va fi anulată automat.
	Aspiratorul a șters toate înregistrările mașinii.	Efectuați din nou înregistrarea mașinii.
	Nicio sursă de alimentare	Alimentați cu energie mașina și aspiratorul.
	Mașina și aspiratorul se află la distanță unul de celălalt (în afara ariei de transmisie).	Aduceți mașina și aspiratorul mai aproape unul de celălalt. Distanța maximă de transmisie este de aproximativ 10 m, însă aceasta poate varia în funcție de circumstanțe.
	Perturbații radioelectrice de la alte aparate care generează unde radio de mare intensitate.	Țineți mașina și aspiratorul la distanță de aparate precum dispozitive Wi-Fi și cuptoare cu microunde.
Aspiratorul funcționează în timp ce butonul declanșator al mașinii nu este tras.	Alți utilizatori folosesc activarea wireless a aspiratorului cu mașinile acestora.	Oprți butonul de activare wireless al celorlalte mașini sau anulați înregistrarea celorlalte mașini.

ÎNȚREȚINERE

⚠ATENȚIE: Asigurați-vă întotdeauna că mașina este oprită și cartușul acumulatorului scos înainte de a executa lucrările de inspecție și întreținere.

⚠ATENȚIE: Curățați apărătorile superioară și inferioară pentru a vă asigura că nu există rumeguș acumulat care ar putea afecta funcționarea sistemului de protecție inferior. Un sistem de protecție murdar poate limita funcționarea corectă, rezultând vătămări personale grave. Cea mai eficientă metodă de efectuare a acestei operații de curățare este cu aer comprimat. **Dacă praful este suflat din spere apărători, asigurați-vă că folosiți o protecție corespunzătoare pentru ochi și respirație.**

⚠ATENȚIE: După fiecare utilizare, ștergeți rumegușul de pe mașină. Particule fine de rumeguș pot pătrunde în mașină și pot provoca defecțiuni sau incendii.

NOTĂ: Nu utilizați niciodată gazolină, benzină, diluant, alcool sau alte substanțe asemănătoare. În caz contrar, pot rezulta decolorări, deformări sau fisuri.

Pentru a menține SIGURANȚA și FIABILITATEA produsului, reparațiile și orice alte lucrări de întreținere sau reglare trebuie executate de centre de service Makita autorizate sau proprii, folosind întotdeauna piese de schimb Makita.

Reglarea preciziei tăierii la 0° sau a tăierii la 45°

Acest reglaj este efectuat din fabrică. Dacă însă are loc o deplasare, puteți regla paralelismul conform procedurii următoare.

1. Slăbiți șuruburile de strângere de pe partea frontală și de pe cea din spate a mașinii, astfel încât unghiul de înclinație să poată fi modificat. Fixați opritorul la o poziție a unghiului de înclinație de 0° - 45° în cazul în care urmează să reglați precizia de tăiere la 45°.

► Fig.46: 1. Șurub de strângere 2. Opritor

2. Așezați talpa perpendicular sau la 45° pe pânza de ferăstrău circular cu ajutorul unui echer, răsucind șurubul de reglare cu o cheie imbus. Pentru reglare la un unghi de 0°, puteți folosi, de asemenea, un vinclu.

► Fig.47: 1. Echer

► Fig.48: 1. Șurubul de reglare pentru un unghi de 0° 2. Șurubul de reglare pentru un unghi de 45°

3. Strângeți șuruburile de strângere și apoi faceți o probă de debitare pentru a verifica dacă obțineți unghiul dorit.

Reglarea paralelismului

⚠ATENȚIE: Mențineți precizia paralelismului. În caz contrar, pânza de ferăstrău circular poate lovi șina de ghidare, iar șina deteriorată poate cauza vătămări corporale.

Acest reglaj este efectuat din fabrică. Dacă însă are loc o deplasare, puteți regla paralelismul conform procedurii următoare.

1. Fixați mașina la adâncimea maximă de tăiere.
2. Asigurați-vă că toate manetele și șuruburile sunt strânse.
3. Slăbiți șuruburile prezentate în figură.
4. În timp ce deschideți apărătoarea inferioară, mișcați talpa spate astfel încât distanțele A și B să devină egale.

► Fig.49: 1. Șurub 2. Talpă

5. Strângeți șuruburile și faceți o tăiere de probă pentru a verifica paralelismul.

ACCESORII OPȚIONALE

⚠ATENȚIE: Folosiți accesoriile sau piesele auxiliare recomandate pentru mașina dumneavoastră Makita în acest manual. Utilizarea oricăror alte accesorii sau piese auxiliare poate prezenta risc de vătămare corporală. Utilizați accesoriile și piesele auxiliare numai în scopul destinat.

Dacă aveți nevoie de asistență sau de mai multe detalii referitoare la aceste accesorii, adresați-vă centrului local de service Makita.

- Pânză de ferăstrău circular
- Ghidaj opritor (riglă de ghidare)
- Cârlig
- Șină de ghidare
- Ghidaj de tăiere oblică
- Dispozitiv de strângere
- Foaie
- Foaie de cauciuc
- Foaie de poziție
- Duză de praf
- Cheie imbus
- Unitate wireless
- Accumulator și încărcător original Makita

NOTĂ: Unele articole din listă pot fi incluse ca accesorii standard în ambalajul de scule. Acestea pot diferi în funcție de țară.

ТЕХНІЧНІ ХАРАКТЕРИСТИКИ

Модель:		HS004G
Діаметр диска		185 мм – 190 мм
Макс. глибина різання	Під кутом 0°	60,0 мм – 62,5 мм
	Під кутом 45°	43,0 мм – 44,5 мм
	Під кутом 48°	41,0 мм – 42,0 мм
Швидкість холостого ходу		6 000 хв ⁻¹
Номінальна напруга		від 36 до 40 В пост. струму макс
Загальна довжина	з BL4025	322 мм
	з BL4040	337 мм
Чиста вага		4,4 – 4,7 кг

- Оскільки наша програма наукових досліджень і розробок триває безперервно, наведені тут технічні характеристики можуть бути змінені без попередження.
- Технічні характеристики приладу та касета з акумулятором можуть відрізнятися в різних країнах.
- Вага може відрізнятися залежно від допоміжного обладнання, наприклад касети з акумулятором. Найлегші та найважчі комплекти, відповідно до стандарту ЕРТА (Європейська асоціація виробників електроінструменту) від січня 01/2014 року, представлено в таблиці.

Застосовна касета з акумулятором і зарядний пристрій

Касета з акумулятором	BL4025 / BL4040
Зарядний пристрій	DC40RA

- Деякі касети з акумулятором і зарядні пристрої, які вказано вище, можуть бути недоступними залежно від вашого регіону або місця перебування.

▲ ПОПЕРЕДЖЕННЯ: Використовуйте лише касети з акумулятором і зарядні пристрої, зазначені вище. Використання будь-яких інших касет з акумулятором і зарядних пристроїв може призвести до травмування й/або пожежі.

Призначення

Інструмент призначено для поздовжнього та поперечного різання за прямою лінією та різання під косим кутом деревини у міцному контакті з деталлю. Якщо використовувати оригінальні диски пили виробництва компанії Makita, то інструмент можна застосовувати і для різання інших матеріалів.

Шум

Рівень шуму за шкалою А в типовому виконанні, визначений відповідно до стандарту EN62841-2-5:
 Рівень звукового тиску (L_{pA}): 93 дБ (А)
 Рівень звукової потужності (L_{WA}): 104 дБ (А)
 Похибка (К): 3 дБ (А)

ПРИМІТКА: Заявлене значення шуму було виміряно відповідно до стандартних методів тестування й може використовуватися для порівняння одного інструмента з іншим.

ПРИМІТКА: Заявлене значення шуму може також використовуватися для попереднього оцінювання впливу.

▲ ПОПЕРЕДЖЕННЯ: Користуйтеся засобами захисту органів слуху.

▲ ПОПЕРЕДЖЕННЯ: Залежно від умов використання рівень шуму під час фактичної роботи електроінструмента може відрізнятися від заявленого значення вібрації; особливо сильно на це впливає тип деталі, що оброблюється.

▲ ПОПЕРЕДЖЕННЯ: Забезпечте належні запобіжні заходи для захисту оператора, що відповідатимуть умовам використання інструмента (слід брати до уваги всі складові робочого циклу, як-от час, коли інструмент вимкнено та коли він починає працювати на холостому ході під час запуску).

Вібрація

Загальна величина вібрації (векторна сума трьох напрямків) визначена згідно з EN62841-2-5:
 Режим роботи: пиляння деревини
 Вібрація ($a_{h,w}$): 2,5 м/с² або менше
 Похибка (К): 1,5 м/с²
 Режим роботи: різання металу
 Вібрація ($a_{h,M}$): 2,5 м/с² або менше
 Похибка (К): 1,5 м/с²

ПРИМІТКА: Заявлене загальне значення вібрації було виміряно відповідно до стандартних методів тестування й може використовуватися для порівняння одного інструмента з іншим.

ПРИМІТКА: Заявлене загальне значення вібрації може також використовуватися для попереднього оцінювання впливу.

▲ ПОПЕРЕДЖЕННЯ: Залежно від умов використання вібрація під час фактичної роботи електроінструмента може відрізнятися від заявленого значення вібрації; особливо сильно на це впливає тип деталі, що оброблюється.

▲ ПОПЕРЕДЖЕННЯ: Забезпечте належні запобіжні заходи для захисту оператора, що відповідатимуть умовам використання інструмента (слід брати до уваги всі складові робочого циклу, як-от час, коли інструмент вимкнено та коли він починає працювати на холостому ході під час запуску).

Декларація про відповідність стандартам ЄС

Тільки для країн Європи

Декларацію про відповідність стандартам ЄС наведено в Додатку А до цієї інструкції з експлуатації.

ПОПЕРЕДЖЕННЯ ПРО ДОТРИМАННЯ ТЕХНІКИ БЕЗПЕКИ

Загальні застереження щодо техніки безпеки при роботі з електроінструментами

▲ ПОПЕРЕДЖЕННЯ: Уважно ознайомтеся з усіма попередженнями про дотримання правил техніки безпеки, інструкціями, ілюстраціями та технічними характеристиками, що стосуються цього електроінструмента. Невиконання будь-яких інструкцій, перелічених нижче, може призвести до ураження електричним струмом, пожежі та/або тяжких травм.

Збережіть усі інструкції з техніки безпеки та експлуатації на майбутнє.

Термін «електроінструмент», зазначений у інструкції з техніки безпеки, стосується електроінструмента, який функціонує від електромережі (електроінструмент з кабелем живлення), або електроінструмента з живленням від батареї (безпроводний електроінструмент).

Попередження про небезпеку під час роботи з бездротовою циркулярною пилою.

Порядок експлуатації

1. **▲ НЕБЕЗПЕЧНО!** Завжди тримайте руки на відстані від зони різання та полотна. Тримайте другу руку на допоміжній ручці або кожусі двигуна. Якщо тримати інструмент обома руками, їх неможливо буде порізати об полотно.
2. **Забороняється простягати руки нижче деталі.** Кожух не захищає від полотна внизу деталі.
3. **Необхідно відрегулювати глибину різання відповідно до товщини деталі.** Щонайменше один зубець полотна має бути помітно видно внизу деталі.
4. **Забороняється під час різання тримати деталь у руках або на колінах. Необхідно закріпити деталь на стійкій поверхні.** Дуже важливо забезпечити належну опору робочого місця, щоб звести до мінімуму вплив на тіло, заїдання полотна та втрату керування.

► Рис.1

5. **Тримайте електроприлад за ізольовані поверхні** держак під час виконання дії, за якої різальний інструмент може зачепити сховану електропроводку. Торкання дроту під напругою може призвести до передавання напруги до металевих частин електроінструмента й до ураження оператора електричним струмом.
6. **Під час поздовжнього пиляння обов'язково використовуйте напрямну планку або пряму лінійку.** Це покращить точність різання та зменшить імовірність заїдання полотна.
7. **Обов'язково використовуйте полотна зі шпиндельними отворами відповідного розміру та форми (ромбічні або круглі).** Полотна, що не відповідають приладдю для кріплення пили, працюватимуть ексцентрично, що призведе до втрати контролю.
8. **Заборонено використовувати пошкоджені або невідповідні шайби та болти для полотна.** Шайби та болти полотна спеціально розроблені для цієї пили для забезпечення оптимальних робочих характеристик та безпечної експлуатації.

Причини віддачі та відповідні попередження:

- Віддача — це несподівана реакція затиснутого, застряглого або зміщеного диска пили, що призводить до неконтрольованого вистрілювання пили вгору та з деталі в напрямку до оператора.
- Коли диск затиснуло або щільно заїло в пропили, він зупиняється, а працюючий двигун призводить до швидкого відкидання пристрою до оператора.
- якщо полотно закрутилося або змістилося в прорізі, зубець заднього краю полотна може встроїтися у верхню поверхню деревини, що в свою чергу призведе до виходу полотна із пропили та відскакування його до оператора. Причинами віддачі є неправильне користування пилою та/або неправильний порядок або умови експлуатації. Її можна уникнути, дотримуючись запобіжних заходів, наведених нижче.

1. **Необхідно міцно обома руками тримати пилу за ручку та розсілюйте руки таким чином, щоб протистояти зусиллю віддачі. Необхідно зайняти положення з будь-якого боку полотна, але не на одній лінії з ним.** У разі віддачі пила відскочить назад, але оператор зможе контролювати зусилля віддачі, якщо буде вжито всіх запобіжних заходів.

2. У разі заїдання полотна або переривання різання з будь-яких причин потрібно відпустити курок та утримувати пилу в матеріалі нерухомо до повної зупинки полотна. Ні в якому разі не можна намагатися вийняти пилу з деталі або витягти її під час руху полотна — це може спричинити віддачу. Ретельно огляньте пилу та виконайте необхідні дії з усунення причини заїдання полотна.
3. Під час повторного встановлення пили на деталі необхідно відцентрувати диск пили в пропили так, щоб зубці пили не зачепилися за матеріал. Якщо диск пили затиснуло, він може вийти або зіскочити з деталі під час повторного ввімкнення пили.
4. Необхідно забезпечити опору великих панелей, щоб мінімізувати ризик защемлення полотна та віддачі. Великі панелі прогинаються під своєю вагою. Необхідно розташувати опору з обох боків панелі, біля лінії різання та біля краю панелі.

► Рис.2

► Рис.3

5. Не можна користуватися тупими або пошкодженими полотнами. Незагострені або неправильно встановлені полотна роблять вузький пропили, що призводить до надмірного тертя, заїдання полотна або віддачі.
6. Перед початком різання необхідно затягнути та закріпити затисні важелі регулювання глибини та нахилу полотна. Зміщення регулювання полотна під час різання може призвести до заїдання або віддачі.
7. Необхідна особлива обережність під час врзання в наявні стіни або інші невидимі зони. Виступаюче полотно може зіткнутися з предметами, що спричинять віддачу.
8. **ОБОВ'ЯЗКОВО** міцно тримайте інструмент обома руками. **НІ В ЯКОМУ РАЗІ** не кладіть руку, ногу чи будь-яку частину тіла нижче основи інструмента або позаду пили, особливо під час поперечного різання. У разі віддачі пила може просто перескочити через руку та спричинити серйозну травму.

► Рис.4

9. Ні в якому разі не прикладайте силу до пили. Натискайте на пилу вперед із такою швидкістю, щоб полотно різало, не зменшуючи швидкості. Прикладання сили до пили може призвести до нерівного прорізу, втрати точності та можливої віддачі.

Функція захисного кожуха

1. Щораз перед початком роботи слід перевірити належне закриття нижнього кожуху. Не слід починати роботу з пилою, якщо нижній захисний кожух не рухається вільно та одразу не закривається. Ніколи не слід затискати або затягувати нижній кожух у відкритому положенні. Якщо пила випадково впаде, нижній захисний кожух може погнути. Слід підняти нижній захисний кожух за допомогою ручки та переконатися, що він вільно пересувається та не торкається диску або іншої частини при будь-якому куті та глибині різання.

2. Слід перевірити функціонування пружини нижнього захисного кожуха. У разі неналежного функціонування захисного кожуха та пружини їх необхідно відремонтувати перед використанням. Нижній захисний кожух може повільно працювати при наявності пошкоджених частин, клейких відкладень або накопичення сміття.
3. Нижній захисний кожух можна відводити руками тільки при виконанні спеціальних прорізів, таких як «врзання» та «комбіноване різання». Підніміть нижній захисний кожух за допомогою ручки відведення та, як тільки диск пили увійде у матеріал, відпустіть нижній захисний кожух. Для решти видів різання нижній кожух повинен працювати автоматично.
4. Перед встановленням пили на верстат або підлогу слід завжди перевіряти, щоб нижній захисний кожух покривав диск. Незахищений диск, що рухається за інерцією, призведе до пересування пили назад, ріжучи будь-які предмети на своєму шляху. Слід пам'ятати, що після відпускання вмикача диску потрібен деякий час для повної зупинки.
5. **Щоб перевірити нижній кожух, його слід відкрити вручну, а потім необхідно відпустити і подивитися, як він закривається.** Також слід переконатися, що ручка відведення не торкається кожуха інструмента. Залишення ріжучого диска незахищеним є **ДУЖЕ НЕБЕЗПЕЧНИМ**, адже може призвести до серйозних травм.

Додаток попередження про необхідну обережність

1. Виявляйте особливу обережність під час різання сирої деревини, лісоматеріалу, обробленого під тиском, або сучкуватої деревини. Плавно просувайте інструмент вперед, не зменшуючи швидкості полотна, щоб уникнути перегрівання зубців.
2. Не намагайтеся забирати відрізаний матеріал під час руху полотна. Зачекайте до зупинки полотна, перш ніж брати відрізаний матеріал. Полотно рухається за інерцією після вимкнення.
3. Уникайте різання цвяхів. Перед початком роботи огляньте лісоматеріал та видаліть із нього всі цвяхи.
4. Розташуйте ширшу частину основи пили на тій частині деталі, що має надійну опору, а не на тій, яка відпаде після різання. Короткі або малі деталі необхідно притискати. **ЗАБОРОНЕНО ТРИМАТИ КОРОТКІ ДЕТАЛІ РУКАМИ!**

► Рис.5

5. Перед тим як відставляти інструмент після завершення різання, переконайтеся, що захисний кожух закритий і полотно повністю зупинилося.
6. Ні в якому разі не намагайтеся різати затиснутою лещатами перевернутою циркулярною пилою. Це дуже небезпечно та може призвести до тяжких нещасних випадків.

► Рис.6

7. Деякі матеріали містять токсичні хімічні речовини. Будьте обережні, щоб не допустити вдихання пилу та його контакту зі шкірою. Дотримуйтеся правил техніки безпеки виробника матеріалу.

8. **Заборонено зупиняти полотна, прикладаючи боковий тиск до ріжучого полотна.**
9. **Заборонено використовувати абразивні диски.**
10. **Використовуйте тільки ріжуче полотно, що має діаметр, зазначений на інструменті або вказаний в інструкції з експлуатації.**
Використання полотна невідповідного розміру може завдати належному захисту полотна або функціонуванню захисного кожуха, що можуть призвести до серйозних травм.
11. **Полотно має бути гострим та чистим.**
Деревний пек та смола, застигли на полотнах, сповільнюють пилу та збільшують ризик віддачі. Підтримуйте чистоту полотна. Для цього зніміть його з інструмента, а потім очистіть за допомогою засобу для видалення смоли, гарячої води або гасу. Використовувати бензин заборонено.
12. **Під час користування інструментом використовуйте пилозахисну маску та засоби захисту органів слуху.**
13. **Завжди використовуйте диск пили, що призначений для різання саме того матеріалу, який ви збираєтеся різати.**
14. **Використовуйте тільки такі диски пили, на яких узказана швидкість дорівнює швидкості, зазначеній на інструменті, або є більшою за неї.**
15. **(Тільки для країн Європи.) Завжди використовуйте диск, що відповідає стандарту EN847-1.**
16. **Розмістіть інструмент і деталі на рівній та стійкій поверхні.** В іншому випадку інструмент або деталі можуть власти й спричинити травми.
5. **Не закоротіть касету з акумулятором.**
 - (1) **Не слід торкатися клем будь-яким струмопровідним матеріалом.**
 - (2) **Не слід зберігати касету з акумулятором у ємності з іншими металевими предметами, такими як цвяхи, монети тощо.**
 - (3) **Не залишайте касету з акумулятором під дощем, запобігайте контакту з водою.**
Коротке замикання може призвести до появи значного струму, перегріву, можливих опіків та навіть виходу з ладу.
6. **Не слід зберігати інструмент та касету з акумулятором в місцях, де температура може сягнути чи перевищити 50°C (122°F).**
7. **Не слід спалювати касету з акумулятором, навіть якщо вона була неодноразово пошкоджена або повністю спрацьована.** Касета з акумулятором може вибухнути у вогні.
8. **Заборонено забивати цвяхи в касету з акумулятором, різати, ламати, кидати, впускати касету з акумулятором або вдаряти її твердим предметом.** Це може призвести до пожежі, перегріву або вибуху.
9. **Не слід використовувати пошкоджений акумулятор.**
10. **Літій-іонні акумулятори, що містяться в інструменті, мають відповідати вимогам законів про небезпечні товари.**
Під час транспортування за допомогою комерційних перевезень, наприклад із залученням третьої сторони та експедиторів, необхідно дотримуватись особливих вимог, вказаних на пакуванні й у маркуванні.
Під час підготування позиції до відправлення необхідно проконсультуватись зі спеціалістом з небезпечних матеріалів. Крім того, слід виконувати більш докладні національні настанови, якщо такі є.
Заклейте відкриті контакти стрічкою або заховайте їх і запакуйте акумулятор таким чином, щоб він не міг рухатися в пакуванні.

ЗБЕРІГАЙТЕ ЦІ ВКАЗІВКИ.

⚠ ПОПЕРЕДЖЕННЯ: **НИКОЛИ НЕ** втрачайте пильності та не розслабляйтеся під час користування виробом (що можливо при частому користуванні); обов'язково строго дотримуйтеся відповідних правил безпеки. **НЕНАЛЕЖНЕ ВИКОРИСТАННЯ** або недотримання правил безпеки, викладених у цій інструкції з експлуатації, може призвести до серйозних травм.

Важливі інструкції з безпеки для касети з акумулятором

1. **Перед тим як користуватися касетою з акумулятором, слід прочитати всі інструкції та застережні знаки щодо (1) зарядного пристрою акумулятора, (2) акумулятора та (3) виробів, що працюють від акумулятора.**
2. **Не розбирайте касету з акумулятором і не змінюйте її конструкцію.** Це може призвести до пожежі, перегріву або вибуху.
3. **Якщо період роботи дуже покоротшав, слід негайно припинити користування.** Це може призвести до виникнення ризику перегріву, опіку та навіть вибуху.
4. **У разі потраплення електричності в очі слід промити їх чистою водою та негайно звернутися до лікаря.** Це може призвести до втрати зору.
5. **Не торкайтеся контактів інструмента відразу після використання, оскільки він може бути досить гарячим, щоб викликати опіки.**
6. **Не допускайте, щоб уламки, пил або земля прилипали до контактів, отворів і пазів на касеті з акумулятором.** Це може привести до зниження експлуатаційних параметрів, поломки інструмента або касети з акумулятором.

17. Якщо інструмент не розраховано на використання поблизу високовольтних ліній електропередач, не використовуйте касету з акумулятором поблизу високовольтних ліній електропередач. Це може призвести до несправності, поломки інструмента або касети з акумулятором.

ЗБЕРІГАЙТЕ ЦІ ВКАЗІВКИ.

⚠ОБЕРЕЖНО: Використовуйте тільки акумулятори Makita. Використання акумуляторів, інших ніж оригінальні акумулятори Makita, або акумуляторів, конструкцію яких було змінено, може призвести до вибуху акумулятора і спричинити пожежу, травму або пошкодження. У зв'язку з цим також буде анульовано гарантію Makita на інструмент Makita і на зарядний пристрій.

Поради з забезпечення максимального строку експлуатації акумулятора

1. Касету з акумулятором слід заряджати до того, як він розрядиться повністю. Завжди слід зупиняти роботу інструмента та зарядити акумулятор, якщо він помітив зменшення потужності інструмента.
2. Ніколи не слід заряджати повторно повністю заряджену касету з акумулятором. Перезарядження скорочує строк експлуатації акумулятора.
3. Заряджайте касету з акумулятором при кімнатній температурі 10°C - 40°C (50°F - 104°F). Перед тим як заряджати касету з акумулятором, слід зачекати, доки вона охолоне.
4. Коли касета з акумулятором не використовується, виймайте її з інструмента або зарядного пристрою.
5. Якщо касета з акумулятором не використовувалася тривалий час (понад шість місяців), її слід зарядити.

Важливі інструкції з безпеки для бездротового модуля

1. Не розбирайте бездротовий модуль і не намагайтеся втручатися в його роботу.
2. Зберігайте бездротовий модуль у недоступному для дітей місці. При випадковому проковтуванні негайно зверніться до лікаря.
3. Використовуйте бездротовий модуль лише з інструментами Makita.
4. Не тримайте бездротовий модуль під дощем або в умовах підвищеної вологості.
5. Не використовуйте бездротовий модуль у місцях, де температура перевищує 50°C.
6. Не використовуйте бездротовий модуль неподалік від медичних приборів, таких як кардіостимулятори.
7. Не використовуйте бездротовий модуль поруч з автоматизованими пристроями. Таке використання може спричинити збої або помилки в роботі автоматизованих пристроїв.
8. Не використовуйте бездротовий модуль у місцях, де він може піддаватися впливу високої температури, статичної електрики або електричних перешкод.

9. Бездротовий модуль може генерувати електромагнітні поля (ЕМП), нешкідливі для користувача.
10. Бездротовий модуль є точним інструментом. Будьте уважні, щоб не впустити або не вдарити бездротовий модуль.
11. Не торкайтеся контактів бездротового модуля голими руками або металевими предметами.
12. Перш ніж установлювати бездротовий модуль, обов'язково вийміть акумулятор.
13. Не відкривайте кришку відсіку в місцях, де в нього може потрапити пил або вода. Завжди тримайте вхідний отвір відсіку в чистоті.
14. Завжди вставляйте бездротовий модуль правильною стороною.
15. Не натискайте занадто сильно кнопку активації на бездротовому модулі та не робіть це гострим предметом.
16. Під час роботи завжди закривайте кришку відсіку.
17. Не виймайте бездротовий модуль із відсіку, поки на інструмент подається живлення. Це може призвести до несправності бездротового модуля.
18. Не видаляйте наклейку на бездротовому модулі.
19. Не розміщуйте будь-які наклейки на бездротовому модулі.
20. Не залишайте бездротовий модуль під впливом статичної електрики або електричних перешкод.
21. Не залишайте бездротовий модуль під впливом високої температури, наприклад на сидінні автомобіля на сонці.
22. Не залишайте бездротовий модуль у запаленому або запорошеному місці або в місці, де може утворитися корозійний газ.
23. Раптова зміна температури може призвести до конденсації вологи на бездротовому модулі. Не використовуйте бездротовий модуль, поки волога не висохне повністю.
24. Під час чищення бездротового модуля обережно протирайте його сухою м'якою тканиною. Не використовуйте бензин, розчинник, електропровідне мастило тощо.
25. Зберігайте бездротовий модуль в упаковці з комплекту постачання або в контейнері, захищеному від дії статичної електрики.
26. Не вставляйте у відсік інструмента будь-які інші пристрої, крім бездротового модуля Makita.
27. Не використовуйте інструмент із пошкодженою кришкою відсіку. Потрапляння у відсік води, пилу та бруду може привести до несправності.
28. Не тягніть і не скручуйте кришку відсіку більше, ніж необхідно. Установіть кришку на місце, якщо вона від'єдналася від інструмента.
29. Замініть кришку відсіку, якщо її було загнуто або пошкоджено.

ЗБЕРІГАЙТЕ ЦІ ВКАЗІВКИ.

ОПИС РОБОТИ

⚠ ОБЕРЕЖНО: Обов'язково переконайтеся, що прилад вимкнено, а касету з акумулятором знято, перед регулюванням або перевіркою функціонування інструмента.

Встановлення та зняття касети з акумулятором

⚠ ОБЕРЕЖНО: Завжди вимикайте інструмент перед встановленням або зняттям касети з акумулятором.

⚠ ОБЕРЕЖНО: Під час встановлення або зняття касети з акумулятором слід міцно тримати інструмент та касету з акумулятором. Якщо ви утримуватимете інструмент та касету з акумулятором недостатньо міцно, вони можуть вислизнути з рук, що може призвести до пошкодження інструмента та касети з акумулятором або може спричинити травми.

► **Рис.7:** 1. Червоний індикатор 2. Кнопка 3. Касета з акумулятором

Щоб зняти касету з акумулятором, слід витягнути її з інструмента, натиснувши на кнопку в передній частині касети.

Щоб встановити касету з акумулятором, слід сумістити виступ на касеті з акумулятором із пазом у корпусі та вставити касету на місце. Її необхідно вставити повністю, аж доки не почуєте клацання. Якщо на верхній частині кнопки помітний червоний індикатор, це означає, що касета з акумулятором встановлена не до кінця.

⚠ ОБЕРЕЖНО: Завжди вставляйте касету з акумулятором повністю, аж поки червоний індикатор стане невидимим. Якщо цього не зробити, касета може випадково випасти з інструмента та завдати травми вам або людям, що знаходяться поряд.

⚠ ОБЕРЕЖНО: Не встановлюйте касету з акумулятором із зусиллям. Якщо касета не вставляється легко, то це означає, що ви її неправильно вставляєте.

Система захисту інструмента/акумулятора

Інструмент оснащено системою захисту інструмента/акумулятора. Ця система автоматично вимикає живлення двигуна з метою збільшення терміну служби інструмента та акумулятора. Інструмент автоматично зупиняється під час роботи, якщо він або акумулятор перебувають у зазначених нижче умовах. За певних умов загоряються індикатори.

Захист від перевантаження

Якщо інструмент використовується в умовах надмірного споживання струму, він автоматично зупиняється. У такому разі вимкніть інструмент і припиніть роботу, під час виконання якої інструмент зазнав перевантаження. Щоб перезапустити інструмент, увімкніть його знову.

Захист від перегрівання

Якщо інструмент або акумулятор перегрівся, інструмент автоматично вимикається, а лампа підсвічування починає блимати. У такому випадку дозвольте інструменту й акумулятору охолонути, перш ніж знову увімкнути інструмент.

Захист від надмірного розрядження

Коли заряд акумулятора стає замалим, інструмент автоматично зупиняється. Якщо інструмент не працює, навіть коли задіяні вмикачі, необхідно витягнути з інструмента акумулятори та зарядити їх.

Відображення залишкового заряду акумулятора

Натисніть кнопку перевірки на касеті з акумулятором для відображення залишкового ресурсу акумулятора. Індикаторні лампи загоряться на кілька секунд.

► **Рис.8:** 1. Індикаторні лампи 2. Кнопка перевірки

Індикаторні лампи			Залишковий ресурс
Горить	Вимк.	Блимає	
■	□	▧	від 75 до 100%
■	■	■	
■	■	□	
■	□	□	
■	□	□	від 50 до 75%
■	□	□	від 25 до 50%
■	□	□	від 0 до 25%
▧	□	□	Зарядіть акумулятор.
■	■	□	Можливо, акумулятор вийшов з ладу.
□	□	■	

ПРИМІТКА: Залежно від умов використання та температури оточуючого середовища показання можуть незначним чином відрізнятися від дійсного ресурсу.

Дія вимикача

⚠ ПОПЕРЕДЖЕННЯ: Перед тим як вставляти касету з акумулятором в інструмент, обов'язково перевірте, чи курок вимикача спрацьовує належним чином та повертається у положення «ВИМК.», коли його відпускають.

⚠ ПОПЕРЕДЖЕННЯ: ЗАБОРОНЕНО змінювати стан кнопки блокування вимкненого положення шляхом її затискання за допомогою стрічки або будь-яким іншим чином. Використання вимикача з несправною кнопкою блокування вимкненого положення може призвести до ненавмисного увімкнення та серйозних травм.

⚠ ПОПЕРЕДЖЕННЯ: ЗАБОРОНЕНО користуватися інструментом, якщо він вмикається простим натисканням курка вимикача без натискання кнопки блокування вимкненого положення. Використання вимикача, який потребує ремонту, може спричинити ненавмисне увімкнення та серйозні травми. ПЕРЕД подальшим використанням інструмент слід передати до сервісного центру Makita для ремонту.

Для запобігання випадковому натисканню курка вимикача передбачено кнопку блокування вимкненого положення. Щоб увімкнути інструмент, натисніть кнопку блокування вимкненого положення та натисніть на курок вимикача. Щоб зупинити роботу, відпустіть курок вимикача.

► **Рис.9:** 1. Курок вимикача 2. Кнопка блокування вимкненого положення

УВАГА: Ніколи не натискайте із силою на курок вимикача, якщо кнопка блокування вимкненого положення не натиснута. Це може призвести до поломки вимикача.

⚠ ОБЕРЕЖНО: Одразу після відпускання курка вимикача активується система гальмування диска циркулярної пили. Міцно тримайте інструмент, щоб протидіяти віддачі системи гальмування, яка виникає під час відпускання курка вимикача. В іншому разі ви можете випустити інструмент із рук і травмуватися.

Функція автоматичної зміни швидкості

Цей інструмент має «режим високої швидкості» та «режим високого крутного моменту». Інструмент змінює режим роботи автоматично залежно від робочого навантаження. За невеликого робочого навантаження інструмент працюватиме в режимі високої частоти обертання для швидкого різання. Якщо ж навантаження стане високим, інструмент перейде в режим високого крутного моменту для збільшення потужності під час різання.

► **Рис.10:** 1. Індикатор режиму

Коли інструмент працює в режимі високого крутного моменту, індикатор режиму загоряється зеленим кольором. Якщо інструмент працює з надмірним навантаженням, індикатор режиму буде блимати зеленим кольором. Індикатор режиму перестає блимати, а потім загоряється або вимикається, якщо зменшити навантаження на інструмент.

Стан індикатора режиму			Режим роботи
● Увімк.	○ Вимк.	● Блімас	
			Режим високої частоти обертання
			Режим високого крутного моменту
			Сигнал про перевантаження

Регулювання глибини різання

⚠ ОБЕРЕЖНО: Після регулювання глибини різання необхідно надійно затягнути важіль.

Послабте важіль на напрямній глибини та пересуньте основу вгору або вниз. На необхідній глибині різання закріпіть основу, затягнувши важіль. Для забезпечення акуратнішого та безпечнішого різання відрегулюйте глибину різання таким чином, щоб за межі деталі виходило не більше одного зубця диска. Належна глибина різання допомагає знизити потенційну небезпеку ВІДДАЧІ, яка може призвести до травмування.

► **Рис.11:** 1. Важіль

Різнання під кутом

⚠ ОБЕРЕЖНО: Після регулювання кута нахилу необхідно надійно затягнути затискний гвинт.

Відпустіть затискні гвинти. Шляхом нахилання встановіть потрібний кут, після чого міцно затягніть затискні гвинти.

► **Рис.12:** 1. Затискний гвинт

Під час різання точно під кутом 45° використовуйте обмежувач. Повністю поверніть обмежувач, як показано на рисунку, залежно від кута під час різання з кутом нахилу: від 0° до 45° або від 0° до 48°.

► **Рис.13:** 1. Обмежувач

Візування

Для виконання прямих розрізів необхідно сумістити положення 0° спереду основи з лінією різання. Для різання з кутом нахилу 45° необхідно сумістити положення 45° з лінією різання.

► **Рис.14:** 1. Лінія різання (положення 0°) 2. Лінія різання (положення 45°)

Увімкнення лампи

⚠ ОБЕРЕЖНО: Не дивіться на світло або безпосередньо на джерело світла.

Щоб увімкнути лампу, не зупиняючи інструмент, потягніть курок вимикача, не натискаючи кнопку блокування у вимкненому положенні. Щоб увімкнути лампу під час роботи інструмента, натисніть і утримуйте кнопку блокування у вимкненому положенні та потягніть курок вимикача.

Лампа згасне приблизно через 10 секунд після відпущання курка вмикача.

► **Рис.15:** 1. Лампа

ПРИМІТКА: Для очищення скла лампи підсвічування протріть її сухою тканиною. Будьте обережні, щоб не подряпати скло лампи підсвічування, тому що це погіршить освітлювання.

ПРИМІТКА: У разі перегрівання інструмента лампа буде мигати протягом однієї хвилини. У цьому разі, перш ніж продовжувати роботу, слід дозволити інструменту охолонути.

Гачок

Додаткове приладдя

▲ОБЕРЕЖНО: Підвищуючи інструмент за гачок, завжди знімайте акумулятор.

▲ОБЕРЕЖНО: Не підвишуйте інструмент високо й не розміщуйте його в потенційно нестійких місцях, наприклад на поверхнях. В іншому випадку інструмент може втратити стійкість і власти.

▲ОБЕРЕЖНО: Не тягніть підвішений інструмент униз.

Гачок використовується для тимчасового підвищення інструмента.

► **Рис.16**

Пригвинтіть гачок, як показано на рисунку.

► **Рис.17:** 1. Гачок 2. Гвинт

Щоб скористатися гачком, просто підніміть його, щоб він зафіксувався у відкритому положенні.

Коли гачок не використовується, слід завжди опустити його в закрите положення до клацання.

► **Рис.18:** 1. Відкрите положення 2. Закрите положення

Електричне гальмо

Цей інструмент оснащено електричним гальмом диска. Якщо після відпускання пускового важеля диск циркулярної пили часто продовжує обертатися протягом певного часу, віднесіть інструмент до сервісного центру Makita для обслуговування.

▲ОБЕРЕЖНО: Гальмівна система диска не замінює захисний кожух диска. **ЗАБОРОНЕНО ВИКОРИСТОВУВАТИ ІНСТРУМЕНТ, ЯКЩО КОЖУХ ДИСКА НЕ ПРАЦЮЄ. ЦЕ МОЖЕ ПРИЗВЕСТИ ДО ВАЖКИХ ТРАВМ.**

Функції електронного обладнання

Інструменти з електронними функціями є простими в експлуатації завдяки зазначеним нижче особливостям конструкції.

Функція плавного запуску

Плавний запуск за рахунок стримування ривка під час запуску.

ЗБОРКА

▲ОБЕРЕЖНО: Обов'язково переконайтеся, що прилад вимкнено, а касету з акумулятором знято, перш ніж проводити будь-які роботи з інструментом.

Зберігання шестигранного ключа

Коли шестигранний ключ не використовується, зберігайте його, як показано на рисунку, щоб він не загубився.

► **Рис.19:** 1. Шестигранний ключ

Зняття та встановлення диска циркулярної пили

▲ОБЕРЕЖНО: Обов'язково встановлюйте диск циркулярної пили зубцями вгору на передній частині інструмента.

▲ОБЕРЕЖНО: Для встановлення або зняття диска циркулярної пили слід використовувати тільки ключ виробництва компанії Makita.

Щоб зняти диск циркулярної пили, повністю натисніть на замок вала таким чином, щоб диск не міг обертатися, і шестиграним ключем послабте болт із шестигранною головкою. Видаліть болт із шестигранною головкою, зовнішній фланець, диск циркулярної пили й кільце (залежить від країни).

► **Рис.20:** 1. Замок вала 2. Шестигранний ключ 3. Послаблення 4. Затягування

Для інструмента без кільця

► **Рис.21:** 1. Болт із шестигранною головкою 2. Зовнішній фланець 3. Диск циркулярної пили 4. Стрілка на диску циркулярної пили 5. Внутрішній фланець 6. Стрілка на інструменті

Для інструмента з кільцем

► **Рис.22:** 1. Болт із шестигранною головкою 2. Зовнішній фланець 3. Диск циркулярної пили 4. Стрілка на диску циркулярної пили 5. Кільце 6. Внутрішній фланець 7. Стрілка на інструменті

Щоб встановити диск циркулярної пили, виконайте процедуру його зняття у зворотному порядку. Установіть диск на інструменті таким чином, щоб стрілка на диску вказувала в тому ж напрямку, що й стрілка на інструменті.

Для інструмента із внутрішнім фланцем для диска пили з діаметром отвору, відмінним від 15,88 мм

Внутрішній фланець має виступ певного діаметра з одного боку та виступ з відмінним діаметром з іншого боку. Виберіть правильний бік, на якому виступ точно підходить до отвору диска пили. Встановіть внутрішній фланець на вал для кріплення таким чином, щоб правильна сторона виступу на внутрішньому фланці була спрямована назовні, після чого встановіть диск пили та зовнішній фланець.

► **Рис.23:** 1. Вал кріплення 2. Внутрішній фланець 3. Диск циркулярної пили 4. Зовнішній фланець 5. Болт із шестигранною головкою

▲ПОПЕРЕДЖЕННЯ: ОБОВ'ЯЗКОВО НАДІЙНО ЗАТЯГНІТЬ БОЛТ ІЗ ШЕСТИГРАННОЮ ГОЛОВКОЮ ЗА ГОДИННИКОВОЮ СТРІЛКОЮ. Також не можна затягувати болт із надмірною силою. Зісковзування руки з шестигранного ключа може спричинити травмування.

▲ПОПЕРЕДЖЕННЯ: Переконайтеся, що виступ «а» на внутрішньому фланці, спрямований назовні, точно підходить до отвору «а» диска пили. Встановлення диска на виступ іншого діаметра може призвести до небезпечної вібрації.

Для інструмента з внутрішнім фланцем для диска пили з діаметром отвору 15,88 мм (залежить від країни продажу)

Встановіть внутрішній фланець виточеною частиною назовні на вал кріплення, потім установіть диск пили (за необхідності із прикріпленим кільцем), зовнішній фланець та болт із шестигранною головкою.

Для інструмента без кільця

► **Рис.24:** 1. Вал кріплення 2. Внутрішній фланець 3. Диск циркулярної пили 4. Зовнішній фланець 5. Болт із шестигранною головкою

Для інструмента з кільцем

► **Рис.25:** 1. Вал кріплення 2. Внутрішній фланець 3. Диск циркулярної пили 4. Зовнішній фланець 5. Болт із шестигранною головкою 6. Кільце

▲ПОПЕРЕДЖЕННЯ: ОБОВ'ЯЗКОВО НАДІЙНО ЗАТЯГНІТЬ БОЛТ ІЗ ШЕСТИГРАННОЮ ГОЛОВКОЮ ЗА ГОДИННИКОВОЮ СТРІЛКОЮ. Також не можна затягувати болт із надмірною силою. Зісковзування руки з шестигранного ключа може спричинити травмування.

▲ПОПЕРЕДЖЕННЯ: Перед встановленням диска на шпindel ь обов'язково переконайтеся, що між внутрішнім та зовнішнім фланцями встановлено правильне кільце для того шпindel ьного отвору диска, який буде використовуватися. Використання неправильного кільця для шпindel ьного отвору може призвести до неналежного кріплення диска і, як наслідок, до його зміщення і сильної вібрації, що може спричинити втрату контролю над інструментом під час роботи і отримання важких травм.

Очищення захисного кожуха диска

Під час заміни диска циркулярної пили обов'язково також прочистіть верхній та нижній захисні кожухи диска від тирси, що накопичилась, як зазначено в розділі «Технічне обслуговування». Однак такі дії не є заміною необхідної перевірки роботи нижнього захисного кожуха перед кожним використанням.

Під'єднання пилососа

Щоб забезпечити чистоту під час різання, під'єднайте до інструмента пилосос Makita. Приєднайте шланг пилососа до штуцера для пилу, як показано на малюнку.

► **Рис.26:** 1. Штуцер для пилу 2. Гвинт

► **Рис.27:** 1. Шланг 2. Пилосос

РОБОТА

Цей інструмент призначено для різання лісоматеріалів. Якщо використовувати оригінальні диски циркулярної пили виробництва компанії Makita, то інструмент можна застосовувати й для різання вказаних далі матеріалів:

• алюміній

Для отримання інформації про диски циркулярної пили, що підходять для розрізання вибраного матеріалу, завітайте на наш веб-сайт або зверніться до місцевого дилера компанії Makita.

Перевірка роботи захисного кожуху

Установіть кут нахилу на 0°, уручну висуньте нижній захисний кожух до кінця й вийміть його. Нижній кожух працює правильно, якщо:

- він виходить над основою без будь-яких перешкод;
- він автоматично повертається до торкання обмежувача.

► **Рис.28:** 1. Верхній захисний кожух 2. Нижній захисний кожух 3. Основа 4. Обмежувач 5. Напрямок відкриття 6. Напрямок закриття

Якщо нижній захисний кожух не працює правильно, переконайтеся в тому, що ошурки збираються всередині верхніх і нижніх захисних кожухів. Якщо нижній кожух не працює правильно навіть після видалення пилу, віднесіть інструмент до сервісного центру Makita для обслуговування.

Різнання

▲ОБЕРЕЖНО: Під час різання надягайте респіратор.

▲ОБЕРЕЖНО: Обов'язково плавно рухайте інструмент вздовж прямої лінії. Докладання зусиль або перекучування інструмента можуть призвести до його перегріву та небезпечної віддачі, що в свою чергу може призвести до серйозних травм.

ПРИМІТКА: Якщо температура касети з акумулятором низька, інструмент не може працювати на повну потужність. У такому разі інструмент слід використовувати на легких режимах різання, доки температура касети з акумулятором не підніметься до кімнатної. Потім інструмент може працювати на повну потужність.

► **Рис.29**

Тримайте інструмент міцно. Інструмент оснащено передньою та задньою ручками. Тримайте інструмент за обидві ручки. Щоб не порізати руки диском циркулярної пили, тримайте її обома руками. Встановіть основу на робочу деталь таким чином, щоб диск циркулярної пили не торкався деталі. Увімкніть інструмент та зачекайте, поки диск циркулярної пили не набере повної швидкості. Тоді просто плавно пересувайте інструмент прямо по робочій деталі, притискаючи його до поверхні, до завершення розпилювання.

Щоб розпилювання було чистим, намагайтеся дотримуватись прямої лінії розпилювання та рівномірної швидкості просування. Якщо лінія розпилювання не відповідає вашим потребам, не намагайтеся насильно повернути інструмент до лінії розпилювання. Це може призвести до згинання диска циркулярної пили та спричинити небезпечну віддачу та важкі травми. Відпустіть вмикач, дочекайтеся повної зупинки диска циркулярної пили та витягніть інструмент із робочої деталі. Виставте інструмент на нову лінію різання та знову почніть різання. Уникайте такого розташування пили, коли стружка та пил з-під неї потрапляють на оператора. Використовуйте засоби захисту очей, щоб уникнути травмування.

Напрямна планка (реєстрова мітка)

⚠ОБЕРЕЖНО: Перед початком роботи переконайтеся в тому, що напрямна планка надійно закріплена в правильному положенні. Неправильне прикріплення може привести до небезпечної віддачі.

- **Рис.30:** 1. Напрямна планка (реєстрова мітка)
2. Затискний гвинт

Зручна напрямна планка дозволяє робити надзвичайно точні прямі розрізи. Слід просто пересунути напрямну планку впритул до краю деталі та закріпити її в положенні за допомогою гвинта в передній частині основи. Це також дає змогу багаторазово виконувати розрізи однакової ширини.

Напрямна рейка

Додаткове приладдя

Установіть інструмент біля заднього кінця прямої рейки. Поверніть два гвинта регулювання на основі інструмента таким чином, щоб інструмент пересувався плавно, без стукоту. Міцно тримайтеся за передню й задню ручки інструмента. Увімкніть інструмент і зріжте пристрій запобігання сколюванню по всій довжині за один прохід. Тепер край пристрою запобігання сколюванню відповідає різальній кромці.

- **Рис.31:** 1. Гвинти регулювання

У разі різання під кутом із напрямною рейкою використовуйте пересувний важіль, щоб запобігти перевертанню інструмента.

Пересуньте пересувний важіль на основі інструмента в напрямку, що вказаний стрілкою, щоб він увійшов у підрізаний паз на напрямній рейці.

- **Рис.32:** 1. Пересувний важіль

Прикріплення стропа (страхувального ремня)

⚠Інструкції з техніки безпеки робіт на висоті Ознайомтеся зі всіма застереженнями стосовно техніки безпеки та інструкціями. Недотримання відповідних застережень та інструкцій може призвести до серйозних травм.

1. Під час виконання робіт на висоті обов'язково користуйтеся страхувальним ремнем для фіксації інструмента. Максимальна

довжина стропа становить 2 м (6,5 фути). Максимальна допустима висота падіння для стропа (страхувального ремня) не повинна перевищувати 2 м (6,5 фути).

2. З цим інструментом слід використовувати тільки спеціальні стропи, розраховані на навантаження не менше 7,0 кг (15,4 фунти).
3. Не прикріплюйте строп інструмента до елементів одягу або до рухливих деталей. Прикріпіть строп інструмента до жорсткої конструкції, яка може витримати вагу інструменту, що падає.
4. Перед використанням переконайтеся в тому, що строп надійно закріплений з кожного кінця.
5. Перевіряйте інструмент і строп перед кожним використанням на предмет справності та пошкодження (включаючи стан тканини та швів). Не використовуйте пошкоджене або несправне приладдя.
6. Не огортайте стропи навколо предметів з гострими або зазубленими краями і не допускайте контакту стропів з такими предметами.
7. Прикріпіть інший кінець стропа за межами робочої зони таким чином, щоб інструмент, що падає, надійно фіксувався.
8. Прикріпіть строп таким чином, щоб у разі падіння інструмент рухався в протилежному від оператора напрямку. Інструменти, що впали, розгойдуватимуться на стропах, що може призвести до травми або втрати балансу.
9. Не використовувати поблизу рухомих частин або обладнання, що працює. Недотримання цієї вимоги може призвести до механічних пошкоджень або заплутування.
10. Не переносьте інструмент, тримаючи за кріпильне пристосування або строп.
11. Перекладайте інструмент з однієї руки в іншу тільки перебуваючи в стійкому положенні.
12. Прикріплюючи стропи до інструмента, стежте за тим, щоб вони не перешкождали нормальній роботі захисних пристосувань, перемикачів або важелів блокування.
13. Не допускайте заплутування в стропах.
14. Тримайте строп на відстані від зони різання інструмента.
15. Використовуйте універсальні карабіни та карабіни з гвинтовим замком. Не використовуйте карабіни однобічної дії з пружинним фіксатором.
16. Інструмент, що впав, слід позначити, припинити його експлуатацію та відправити на завод або до авторизованого сервісного центру Makita для перевірки.

- **Рис.33:** 1. Отвір для стропа (страхувального ремінця)

ФУНКЦІЯ БЕЗДРОТОВОЇ АКТИВАЦІЇ

Для чого призначена функція бездротової активації

Використання функції бездротової активації забезпечує чистоту та комфортну роботу. Після під'єднання до інструмента сумісного пиლოსоса його можна буде автоматично запускати разом з інструментом.

► Рис.34

Щоб скористатися функцією бездротової активації, підготуйте наступні компоненти:

- бездротовий модуль (додаткове обладнання);
- пиლოსос, який підтримує функцію бездротової активації.

Налаштування функції бездротової активації наведено далі. Щоб отримати докладні інструкції, зверніться до відповідного розділу.

1. Установлення бездротового модуля
2. Реєстрація інструмента для пиლოსоса
3. Увімкнення функції бездротової активації

Установлення бездротового модуля

Додаткове приладдя

⚠ОБЕРЕЖНО: Під час установлення бездротового модуля розташуйте інструмент на рівній і стійкій поверхні.

УВАГА: Перед установленням бездротового модуля очистіть інструмент від пилу та бруду. Пил або бруд можуть стати причиною несправності, якщо вони потраплять у відсік бездротового пристрою.

УВАГА: Щоб уникнути несправностей, викликаних статичною електрикою, перш ніж торкатися бездротового модуля, доторкніться до деталі, яка допоможе зняти електростатичний заряд, наприклад до металевої частини інструменту.

УВАГА: Під час установлення бездротового модуля завжди стежте за тим, щоб уставляти його правильною стороною та щоб кришка відсіку була повністю закрита.

1. Відкрийте кришку на інструменті, як показано на малюнку.

► Рис.35: 1. Кришка

2. Вставте бездротовий модуль у відсік і закрийте кришку.

Під час установлення бездротового модуля сумістіть виступи із заглибленнями у відсіку.

► Рис.36: 1. Бездротовий модуль 2. Виступ 3. Кришка 4. Заглиблення

Під час вивільнення бездротового модуля відкрийте кришку повільно. Гачки на зворотному боці кришки зачеплять бездротовий модуль, якщо потягнути за кришку.

► Рис.37: 1. Бездротовий модуль 2. Гачок 3. Кришка

Після зняття бездротового модуля зберігайте його в упаковці з комплекту постачання або в контейнері, захищеному від дії статичної електрики.

УВАГА: Під час вивільнення бездротового модуля завжди використовуйте гачки на зворотному боці кришки. Якщо гачки не захопили бездротовий модуль, повністю закрийте кришку та знову повільно відкрийте її.

Реєстрація інструмента для пиლოსоса

ПРИМІТКА: Для реєстрації інструмента потрібно мати пиლოსос Makita, який підтримує функцію бездротової активації.

ПРИМІТКА: Установіть бездротовий модуль в інструмент перед початком реєстрації.

ПРИМІТКА: Під час реєстрації інструмента не натискайте курок вмикача або кнопку живлення пиლოსоса.

ПРИМІТКА: Див. також посібник з експлуатації пиლოსоса.

Для увімкнення пиლოსоса одночасно з інструментом спочатку виконайте реєстрацію інструмента.

1. Уставте акумулятори в пиლოსос та інструмент.
2. Установіть перемикач режиму очікування на пиლოსосі в положення «AUTO».

► Рис.38: 1. Перемикач режиму очікування

3. Натисніть кнопку бездротової активації на пиლოსосі та втримуйте її протягом 3 секунд, поки індикатор бездротової активації не почне блимати зеленим кольором. Потім так само натисніть кнопку бездротової активації на інструменті.

► Рис.39: 1. Кнопка бездротової активації 2. Індикатор бездротової активації

Якщо пиლოსос та інструмент з'єднані успішно, індикатори бездротової активації світлитимуться зеленим світлом протягом 2 секунд, а потім почнуть блимати синім кольором.

ПРИМІТКА: Індикатори бездротової активації припинять блимати зеленим кольором за 20 секунд. Натисніть кнопку бездротової активації на інструменті, поки блимає індикатор бездротової активації на пиლოსосі. Якщо індикатор бездротової активації не блимає зеленим, короткочасно натисніть кнопку бездротової активації, а потім знову натисніть і втримуйте її.

ПРИМІТКА: Якщо потрібно зареєструвати два або більше інструментів для одного пиლოსоса, виконайте реєстрацію інструментів послідовно, один за одним.

Увімкнення функції бездротової активації

ПРИМІТКА: Завершіть реєстрацію інструмента для пилососа до використання бездротової активації.

ПРИМІТКА: Див. також посібник з експлуатації пилососа.

Після реєстрації інструмента пилосос вмикатиметься автоматично, коли починає працювати інструмент.

1. Установіть бездротовий модуль в інструмент.
2. З'єднайте шланг пилососа з інструментом.

► **Рис.40**

3. Установіть перемикач режиму очікування на пилососі в положення «АУТО».

► **Рис.41:** 1. Перемикач режиму очікування

4. Натисніть і відпустіть кнопку бездротової активації на інструменті. Індикатор бездротової активації почне блимати синім кольором.

► **Рис.42:** 1. Кнопка бездротової активації
2. Індикатор бездротової активації

5. Натисніть на курок вмикача інструмента. Перевірте, чи працює пилосос, коли натиснуто курок вмикача.

Щоб вимкнути бездротову активацію пилососа, натисніть кнопку бездротової активації на інструменті.

ПРИМІТКА: Індикатор бездротової активації на інструменті припинить блимати синім, якщо він не використовується протягом 2 годин. У цьому випадку встановіть перемикач режиму очікування на пилососі в положення «АУТО» та знову натисніть кнопку бездротової активації на інструменті.

ПРИМІТКА: Пилосос вмикається та зупиняється із затримкою. Існує затримка, коли пилосос визначає перемикання інструмента в робочий режим.










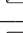
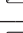


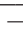
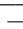
ПРИМІТКА: Дальність передачі бездротового модуля змінюється в залежності від місця розташування й навколишніх умов.

ПРИМІТКА: Якщо для одного пилососа зареєстровано два або більше інструментів, пилосос може почати працювати, навіть якщо не натиснуто курок вмикача, коли інший користувач застосовує функцію бездротової активації.

Опис стану індикатора бездротової активації

► **Рис.43:** 1. Індикатор бездротової активації

Індикатор бездротової активації відображає стан функції бездротової активації. Значення стану індикатора див. у таблиці нижче.

Стан	Індикатор бездротової активації				Опис
	Колір	 Увімк.	 Блимає	Тривалість	
Режим очікування	Синій			2 години	Доступна бездротова активація пилососа. Індикатор автоматично вимкнеться, якщо протягом 2 годин не буде виконуватися ніяка операція.
				Коли інструмент працює.	Доступна бездротова активація пилососа, інструмент працює.
Реєстрація інструмента	Зелений			20 секунд	Готовність до реєстрації інструмента. Очікування реєстрації пилососом.
				2 секунди	Реєстрація інструмента завершена. Індикатор бездротової активації починає блимати синім кольором.
Скасування реєстрації інструмента	Червоний			20 секунд	Готовність до скасування реєстрації інструмента. Очікування скасування пилососом.
				2 секунди	Скасування реєстрації інструмента завершено. Індикатор бездротової активації починає блимати синім кольором.
Інше	Червоний			3 секунди	На бездротовий модуль подається живлення, функція бездротової активації вмикається.
		Вимк.	—	—	Бездротова активація пилососа вимкнена.

Скасування реєстрації інструмента для пилососа

Виконайте наступні дії, щоб скасувати реєстрацію інструмента для пилососа.

1. Уставте акумулятори в пилосос та інструмент.
2. Установіть перемикач режиму очікування на пилососі в положення «АУТО».

► **Рис.44:** 1. Перемикач режиму очікування

3. Натискайте кнопку бездротової активації на пилососі протягом 6 секунд. Індикатор бездротової активації почне блимати зеленим, а потім загориться червоним кольором. Після цього так само натисніть кнопку бездротової активації на інструменті.

► **Рис.45:** 1. Кнопка бездротової активації
2. Індикатор бездротової активації

Якщо скасування виконано успішно, індикатори бездротової активації світяться червоним кольором протягом 2 секунд, а потім почнуть блимати синім кольором.

ПРИМІТКА: Індикатори бездротової активації припинять блимати червоним кольором за 20 секунд. Натисніть кнопку бездротової активації на інструменті, поки блимає індикатор бездротової активації на пилососі. Якщо індикатор бездротової активації не блимає червоним, короткочасно натисніть кнопку бездротової активації, а потім знову натисніть і втримуйте її.

Усунення несправностей функції бездротової активації

Перш ніж звертатися з приводу ремонту інструмента, проведіть його перевірку самостійно. У разі виявлення несправності, яку не описано в цьому посібнику, не намагайтеся розібрати інструмент. Натомість зверніться до авторизованих сервісних центрів Makita та використовуйте для ремонту тільки запасні частини виробництва компанії Makita.

Стан відхилення від норми	Можлива причина (несправність)	Спосіб виправлення
Індикатор бездротової активації не світиться або не блимає.	Бездротовий модуль не встановлено в інструмент. Бездротовий модуль встановлено в інструмент неправильно.	Установіть бездротовий модуль.
	Контакти бездротового модуля або роз'єм забруднені.	Акуратно витріть пил і бруд на контактах бездротового модуля та очистіть роз'єм.
	Кнопку бездротової активації на інструменті не натиснуто.	Натисніть і відпустіть кнопку бездротової активації на інструменті.
	Перемикач режиму очікування на пилососі не встановлено в положення «AUTO».	Установіть перемикач режиму очікування на пилососі в положення «AUTO».
	Відсутнє живлення	Підключіть інструмент і пилосос до джерела живлення.
Неможливо успішно закінчити реєстрацію інструмента або скасувати реєстрацію інструмента.	Бездротовий модуль не встановлено в інструмент. Бездротовий модуль встановлено в інструмент неправильно.	Установіть бездротовий модуль.
	Контакти бездротового модуля або роз'єм забруднені.	Акуратно витріть пил і бруд на контактах бездротового модуля та очистіть роз'єм.
	Перемикач режиму очікування на пилососі не встановлено в положення «AUTO».	Установіть перемикач режиму очікування на пилососі в положення «AUTO».
	Відсутнє живлення	Підключіть інструмент і пилосос до джерела живлення.
	Неправильна операція	Натисніть і відпустіть кнопку бездротової активації, а потім знову виконайте процедуру реєстрації або скасування реєстрації.
	Інструмент і пилосос знаходяться далеко один від одного (за межами радіуса дії передавача).	Розташуйте інструмент і пилосос ближче один до одного. Максимальна відстань передачі складає близько 10 м, проте вона залежить від конкретних умов експлуатації.
	Перед закінченням реєстрації або скасування реєстрації інструмента: - натиснуто курок вмикача на інструменті або - натиснуто кнопку живлення на пилососі.	Натисніть і відпустіть кнопку бездротової активації, а потім знову виконайте процедуру реєстрації або скасування реєстрації.
	Процедура реєстрації для інструмента або пилососа не завершена.	Виконайте дії з реєстрації, які стосуються інструмента й пилососа, в один часовий проміжок.
	Радіоперешкоди від інших приладів, які генерують радіохвилі високої потужності.	Тримайте інструмент і пилосос подаль від приладів, як-от пристрої Wi-Fi і мікрохвильові печі.
Пилосос не вмикається під час роботи інструмента.	Бездротовий модуль не встановлено в інструмент. Бездротовий модуль встановлено в інструмент неправильно.	Установіть бездротовий модуль.
	Контакти бездротового модуля або роз'єм забруднені.	Акуратно витріть пил і бруд на контактах бездротового модуля та очистіть роз'єм.
	Кнопку бездротової активації на інструменті не натиснуто.	Натисніть і відпустіть кнопку бездротової активації та переконайтеся, що індикатор бездротової активації блимає синім кольором.
	Перемикач режиму очікування на пилососі не встановлено в положення «AUTO».	Установіть перемикач режиму очікування на пилососі в положення «AUTO».
	У пилососі зареєстровано понад 10 інструментів.	Виконайте реєстрацію інструмента ще раз. Якщо в пилососі зареєстровано понад 10 інструментів, дані про інструмент, який було зареєстровано найпершим, будуть автоматично вилучені.
	Пилосос вилучив дані про реєстрацію всіх інструментів.	Виконайте реєстрацію інструмента ще раз.
	Відсутнє живлення	Підключіть інструмент і пилосос до джерела живлення.
	Інструмент і пилосос знаходяться далеко один від одного (за межами радіуса дії передавача).	Розташуйте інструмент і пилосос ближче один до одного. Максимальна відстань передачі складає близько 10 м, проте вона залежить від конкретних умов експлуатації.
	Радіоперешкоди від інших приладів, які генерують радіохвилі високої потужності.	Тримайте інструмент і пилосос подаль від приладів, як-от пристрої Wi-Fi і мікрохвильові печі.

Стан відхилення від норми	Можлива причина (несправність)	Спосіб виправлення
Пилосос працює, коли не натиснуто курок вмикача.	Інші користувачі застосовують функцію бездротової активації пилососа з їхніми інструментами.	Вимкніть за допомогою кнопки бездротової активації інших інструментів або скасуйте їх реєстрацію.

ТЕХНІЧНЕ ОБСЛУГОВУВАННЯ

▲ ОБЕРЕЖНО: Перед здійсненням перевірки або обслуговування завжди перевіряйте, щоб інструмент був вимкнений, а касета з акумулятором була знята.

▲ ОБЕРЕЖНО: Очистіть нижній та верхній захисні кожухи диска і переконайтеся у тому, що на них немає тирси, яка може зашкодити роботі захисної системи нижнього захисного кожуха. Засміченість захисної системи може обмежити належну функціональність, і це може призвести до отримання серйозних травм. Найефективнішим способом чищення є використання стиснутого повітря. Під час видування пилу з захисного кожуха диска обов'язково вдягайте відповідні засоби захисту органів зору та дихання.

▲ ОБЕРЕЖНО: Після кожного використання видаляйте ошурки з інструменту. Дрібні ошурки можуть потрапити всередину інструмента й призвести до неполадки або загоряння.

УВАГА: Ніколи не використовуйте газолін, бензин, розріджувач, спирт та подібні речовини. Їх використання може призвести до зміни кольору, деформації або появи тріщин.

Для забезпечення БЕЗПЕКИ та НАДІЙНОСТІ продукції, її ремонт, а також роботи з обслуговування або регулювання повинні виконуватись уповноваженими або заводськими сервісними центрами Makita із використанням запчастин виробництва компанії Makita.

Регулювання точності різання з куту нахилу 0° або 45°

Це регулювання було виконано на заводі. За необхідності регулювання можна виконати, як описано далі.

1. Відпустіть затискні гвинти спереду й ззаду на інструменті, щоб змінити кут нахилу. Установіть обмежувач у положення, що відповідає куту нахилу 0° – 45°, якщо потрібно задати точність різання під кутом 45°.

► **Рис.46:** 1. Затискний гвинт 2. Обмежувач

2. Установіть основу під кутом 90° або 45° відносно диска циркулярної пили, застосувавши трикутну лінійку, для чого поверніть регулювальний гвинт за допомогою ключа із шестигранною головою. Для встановлення основи під кутом 0° також можна скористатися чотирикутною лінійкою.

► **Рис.47:** 1. Косинець

► **Рис.48:** 1. Регулювальний гвинт для кута 0°
2. Регулювальний гвинт для кута 45°

3. Затягніть затискні гвинти, а потім зробіть тестовий розріз для перевірки точності заданого кута.

Регулювання паралельності

▲ ОБЕРЕЖНО: Точно дотримуйтеся паралельності. В іншому випадку диск циркулярної пили може прорізати напрямну рейку, а пошкоджена напрямна рейка може завдати травму.

Це регулювання було виконано на заводі. За необхідності регулювання можна виконати, як описано далі.

1. Установіть на інструменті значення максимальної глибини різання.
2. Переконайтеся в тому, що всі важелі та гвинти затягнуто.

3. Відпустіть гвинти, як показано на рисунку.

4. Відкриваючи нижній захисний кожух, перемістіть задню частину основи, щоб відстані А та В були однаковими.

► **Рис.49:** 1. Гвинт 2. Основа

5. Затягніть гвинти і зробіть тестовий розріз для перевірки паралельності.

ДОДАТКОВЕ ПРИЛАДДЯ

▲ ОБЕРЕЖНО: Це додаткове та допоміжне обладнання рекомендовано використовувати з інструментом Makita, зазначеним у цій інструкції з експлуатації. Використання будь-якого іншого додаткового та допоміжного обладнання може становити небезпеку травмування. Використовуйте додаткове та допоміжне обладнання лише за призначенням.

У разі необхідності отримати допомогу в більш детальному ознайомленні з оснащенням звертайтеся до місцевого сервісного центру Makita.

- Диск циркулярної пили
- Напрямна планка (напрямна лінійка)
- Гачок
- Напрямна рейка
- Напрямна кута нахилу
- Затиск
- Лист
- Гумовий лист
- Лист контролю положення
- Наконечник для пилу
- Шестигранний ключ
- Бездротовий модуль
- Оригінальний акумулятор та зарядний пристрій Makita

ПРИМІТКА: Деякі елементи списку можуть входити до комплекту інструмента як стандартне приладдя. Вони можуть відрізнятися залежно від країни.

ТЕХНИЧЕСКИЕ ХАРАКТЕРИСТИКИ

Модель:		HS004G
Диаметр диска		185 мм – 190 мм
Макс. глубина пропила	на 0°	60,0 мм – 62,5 мм
	Под углом 45°	43,0 мм – 44,5 мм
	Под углом 48°	41,0 мм – 42,0 мм
Число оборотов без нагрузки		6 000 мин ⁻¹
Номинальное напряжение		36–40 В пост. тока макс.
Общая длина	с BL4025	322 мм
	с BL4040	337 мм
Масса нетто		4,4 – 4,7 кг

- Благодаря нашей постоянно действующей программе исследований и разработок указанные здесь технические характеристики могут быть изменены без предварительного уведомления.
- Технические характеристики и аккумуляторный блок могут отличаться в зависимости от страны.
- Масса может отличаться в зависимости от дополнительного оборудования. Обратите внимание, что блок аккумулятора также считается дополнительным оборудованием. В таблице представлены комбинации с наибольшим и наименьшим весом в соответствии с процедурой EPTA 01/2014.

Подходящий блок аккумулятора и зарядное устройство

Блок аккумулятора	BL4025 / BL4040
Зарядное устройство	DC40RA

- В зависимости от региона проживания некоторые блоки аккумуляторов и зарядные устройства, перечисленные выше, могут быть недоступны.

⚠ ОСТОРОЖНО: Используйте только перечисленные выше блоки аккумуляторов и зарядные устройства. Использование других блоков аккумуляторов и зарядных устройств может привести к травме и/или пожару.

Назначение

Данный инструмент предназначен для прямолинейного продольного и поперечного пиления, а также для пиления древесины под углом при наличии надежного контакта с распиливаемой деталью. При использовании соответствующих оригинальных пильных дисков Makita возможно также распиливание других материалов.

Шум

Типичный уровень взвешенного звукового давления (A), измеренный в соответствии с EN62841-2-5:
 Уровень звукового давления (L_{pA}): 93 дБ (A)
 Уровень звуковой мощности (L_{WA}): 104 дБ (A)
 Погрешность (K): 3 дБ (A)

ПРИМЕЧАНИЕ: Заявленное значение распространения шума измерено в соответствии со стандартной методикой испытаний и может быть использовано для сравнения инструментов.

ПРИМЕЧАНИЕ: Заявленное значение распространения шума можно также использовать для предварительных оценок воздействия.

⚠ ОСТОРОЖНО: Используйте средства защиты слуха.

⚠ ОСТОРОЖНО: Распространение шума во время фактического использования электроинструмента может отличаться от заявленного значения в зависимости от способа применения инструмента и в особенности от типа обрабатываемой детали.

⚠ ОСТОРОЖНО: Обязательно определите меры безопасности для защиты оператора, основанные на оценке воздействия в реальных условиях использования (с учетом всех этапов рабочего цикла, таких как выключение инструмента, работа без нагрузки и включение).

Вибрация

Суммарное значение вибрации (сумма векторов по трем осям), определенное в соответствии с EN62841-2-5:
 Рабочий режим: распиливание древесины
 Распространение вибрации ($a_{h,w}$): 2,5 м/с² или менее
 Погрешность (K): 1,5 м/с²
 Рабочий режим: резка металла
 Распространение вибрации ($a_{h,m}$): 2,5 м/с² или менее
 Погрешность (K): 1,5 м/с²

ПРИМЕЧАНИЕ: Заявленное общее значение распространения вибрации измерено в соответствии со стандартной методикой испытаний и может быть использовано для сравнения инструментов.

ПРИМЕЧАНИЕ: Заявленное общее значение распространения вибрации можно также использовать для предварительных оценок воздействия.

▲ОСТОРОЖНО: Распространение вибрации во время фактического использования электроинструмента может отличаться от заявленного значения в зависимости от способа применения инструмента и в особенности от типа обрабатываемой детали.

▲ОСТОРОЖНО: Обязательно определите меры безопасности для защиты оператора, основанные на оценке воздействия в реальных условиях использования (с учетом всех этапов рабочего цикла, таких как выключение инструмента, работа без нагрузки и включение).

Декларация о соответствии ЕС

Только для европейских стран

Декларация о соответствии ЕС включена в руководство по эксплуатации (Приложение А).

МЕРЫ БЕЗОПАСНОСТИ

Общие рекомендации по технике безопасности для электроинструментов

▲ОСТОРОЖНО: Ознакомьтесь со всеми представленными инструкциями по технике безопасности, указаниями, иллюстрациями и техническими характеристиками, прилагаемыми к данному электроинструменту. Несоблюдение каких-либо инструкций, указанных ниже, может привести к поражению электрическим током, пожару и/или серьезной травме.

Сохраните брошюру с инструкциями и рекомендациями для дальнейшего использования.

Термин "электроинструмент" в предупреждениях относится ко всему инструменту, работающему от сети (с проводом) или на аккумуляторах (без провода).

Правила техники безопасности при эксплуатации аккумуляторной циркулярной пилы

Процедуры резки

- ▲ОПАСНО:** Держите руки на расстоянии от места распила и пилы. Держите вторую руку на дополнительной ручке или корпусе двигателя. Удержание инструмента обеими руками позволит избежать попадания рук диск пилы.
- Не наклоняйтесь под обрабатываемую деталь. Защитный кожух не защитит вас от диска под обрабатываемой деталью.
- Отрегулируйте глубину распила в соответствии с толщиной детали. Под распиливаемой деталью должен быть виден почти весь зуб пилы.
- Запрещается держать деталь руками и ставить ее поперек ноги во время работы. Закрепите обрабатываемую деталь на устойчивом основании. Важно обеспечить правильную фиксацию детали для снижения до минимума риска получения травм, заклинивания диска или потери контроля.

► Рис.1

- Если при выполнении работ существует риск контакта режущего инструмента со скрытой электропроводкой, держите электроинструмент за специально предназначенные изолированные поверхности. Контакт с проводом под напряжением приведет к тому, что металлические детали инструмента также будут под напряжением, что может стать причиной поражения оператора электрическим током.
- Обязательно пользуйтесь направляющей планкой или направляющей с прямым краем при продольной распиловке. Это повышает точность распила и снижает риск изгиба диска.
- Обязательно используйте диски соответствующего размера и формы отверстий для оправки (ромбовидные или круглые). Диски с несоответствующим креплением будут работать эксцентрически, что приведет к потере контроля над инструментом.
- Запрещается использовать поврежденные или несоответствующие пиле шайбы или болт крепления. Шайбы и болт крепления диска были специально разработаны для данной пилы с целью обеспечения оптимальных эксплуатационных характеристик и безопасности работы.

Причины отдачи и соответствующие предупреждения

- отдача - это мгновенная реакция на защемление, застревание или нарушение соосности пильного диска, приводящая к неконтролируемому подъему пилы и ее движению из детали по направлению к оператору;

- если диск защемлен или жестко ограничивается пропилом снизу, он прекратит вращаться, и реакция двигателя приведет к тому, что инструмент начнет быстро двигаться в сторону оператора;
- если диск становится изогнутым или неправильно ориентированным в распиле, зубья на задней стороне диска могут цепляться за верхнюю поверхность распиливаемой древесины, что приведет к выскакиванию диска из пропила и его движению в сторону оператора.

Отдача - это результат неправильного использования пилы и/или неправильных процедур или условий эксплуатации. Ее можно избежать, соблюдая меры предосторожности, указанные ниже.

1. **Крепко держите пилу обеими руками и располагайте руки так, чтобы они могли справиться с отдачей. Располагайте ее с боковой стороны циркулярной пилы, а не на одной линии с ней.** Отдача может привести к отскакиванию дисковой пилы назад, однако силы отдачи могут контролироваться оператором при условии соблюдения соответствующих мер предосторожности.
2. **При изгибании пилы или прекращении пиления по какой-либо причине отпустите триггерный переключатель и держите пилу без ее перемещения в детали до полной остановки вращения диска. Не пытайтесь вытащить пилу из распиливаемой детали или потянуть пилу назад, когда пила продолжает вращаться. Это может привести к отдаче.** Проверьте и выполните действия по устранению причины заклинивания диска.
3. **При повторном включении пилы, когда она находится в детали, отцентрируйте пильный диск в пропилах так, чтобы зубья пилы не касались распиливаемой детали.** Если пильный диск изогнется, пила может приподняться или возникнет обратная отдача при повторном запуске пилы.
4. **Поддерживайте большие панели для снижения риска заклинивания и отдачи диска.** Большие панели провисают под собственным весом. Опоры необходимо располагать под панелью с обеих сторон, около линии распила и около края панели.

► Рис.2

► Рис.3

5. **Не используйте тупые или поврежденные диски.** Незаточенные или неправильно установленные диски приведут к узкому распилу, что вызовет чрезмерное трение, заклинивание диска и отдачу.
6. **Перед резкой необходимо крепко затянуть блокирующие рычаги глубины распила и регулировки скоса.** Если при резке регулировка диска нарушится, это может привести к заклиниванию диска и возникновению отдачи.
7. **Будьте особенно осторожны при распиливании уже имеющихся стен или иных поверхностей, недоступных для осмотра.** Выступающий диск пилы может столкнуться с предметами, которые могут вызвать отдачу инструмента.

8. **ВСЕГДА держите инструмент крепко обеими руками. НИКОГДА не помещайте свои руки, ноги или иные части тела под основание инструмента или позадипилы, особенно при выполнении поперечных распилов.** В случае отдачи пила может легко отскочить назад на вашу руку, что приведет к серьезной травме.

► Рис.4

9. **Никогда не прилагайте повышенных усилий к пиле. Двигайте пилу вперед со скоростью, которая позволяет дисковой пиле пилить без снижения скорости.** Приложение повышенных усилий к дисковой пиле может привести к неравномерному распилу, снижению точности и возможной отдаче.

Функционирование ограждения

1. **Перед каждым использованием убеждайтесь в том, что нижний защитный кожух надежно закрыт. Не эксплуатируйте пилу, если нижний защитный кожух не перемещается свободно и мгновенно не закрывается. Запрещается фиксировать нижний защитный кожух в открытом положении каким бы то ни было способом.** При случайном падении пилы кожух может погнуться. Поднимите нижний защитный кожух при помощи ручки подъема и убедитесь в его свободном перемещении и в том, что он не касается пилы или других деталей при любом угле и глубине распила.
2. **Проверьте работу пружины нижнего защитного кожуха. Если щиток и пружина не работают надлежащим образом, их необходимо отремонтировать перед использованием пилы.** Нижний защитный кожух может работать медленно из-за поврежденных деталей, отложения смол или скопления мусора.
3. **Нижний защитный кожух можно поднимать вручную только при специальных распилах, таких как "врезание" или "комплексная резка". Поднимите нижний кожух, отодвинув рукоятку назад; как только диск войдет в материал, нижний защитный кожух обязательно нужно вернуть на место.** При осуществлении любых других распилов нижний защитный кожух должен работать автоматически.
4. **Перед тем как положить пилу на верстак или на пол, обязательно убедитесь, что нижний защитный кожух закрывает режущий диск.** Незащищенный, вращающийся по инерции диск пилы может непреднамеренно двинуться назад, распиливая все, что попадется на пути. Помните о времени, необходимом для полной остановки пилы после отключения выключателя.
5. **Для проверки нижнего кожуха вручную откройте нижний защитный кожух, затем отпустите и убедитесь, что он закрылся. Также убедитесь в том, что убирающаяся ручка не касается корпуса.** Открытая пила **ОЧЕНЬ ОПАСНА** и может привести к серьезной травме.

Дополнительные предупреждения о безопасности

1. Будьте особенно осторожны при распиливании сырой, прессованной или сучковатой древесины. Сохраняйте постоянную скорость подачи без снижения оборотов диска, чтобы избежать перегрева кромки диска.
2. Не пытайтесь убирать отрезанные детали при вращении диска. Перед удалением распиленных деталей дождитесь полной остановки пилы. После выключения диск будет вращаться еще некоторое время.
3. Избегайте попадания режущего инструмента на гвозди. Перед распиливанием осмотрите деталь и удалите из нее все гвозди.
4. Устанавливайте более широкую часть основания пилы на ту часть обрабатываемой детали, которая имеет хорошую опору, а не на ту часть, которая упадет после отпиливания. Если распиливаемая деталь короткая или маленькая, ее необходимо закрепить. **НЕ ПЫТАЙТЕСЬ УДЕРЖИВАТЬ КОРОТКИЕ ДЕТАЛИ РУКОЙ!**

► Рис.5

5. Перед размещением пилы после завершения распила убедитесь, что нижний защитный кожух закрылся и пила полностью прекратила вращаться.
6. Никогда не пытайтесь осуществлять распиливание, закрепив циркулярную пилу в перевернутом виде. Это очень опасно и может привести к серьезным травмам.

► Рис.6

7. Некоторые материалы могут содержать токсичные химические вещества. Примите соответствующие меры предосторожности, чтобы избежать вдыхания или контакта с кожей таких веществ. Соблюдайте требования, указанные в паспорте безопасности материала.
8. Не пытайтесь остановить пилу путем бокового давления на пильный диск.
9. Не используйте абразивные круги.
10. Разрешается использовать только пильные диски с диаметром, соответствующим указанному на инструменте или в руководстве. Применение диска неверного размера может препятствовать надлежащей защите диска или мешать работе защитного кожуха, что, в свою очередь, может стать причиной серьезных травм.
11. Пилы должны быть острыми и чистыми. Смола и древесный пек, затвердевшие на пильных дисках, снижают производительность пилы и повышают потенциальный риск отдачи. Содержите пилу в чистоте. Для этого снимите ее с инструмента и очистите растворителем смолы и древесного пекса, горячей водой или керосином. Запрещается использовать бензин.
12. При использовании инструмента надевайте пылезащитную маску и используйте средства защиты слуха.
13. Используйте пильные диски, соответствующие материалу заготовки.

14. Используйте только пильные диски, маркировка максимальной скорости которых равна или выше скорости, указанной на инструменте.
15. (Только для европейских стран) Используйте диски, соответствующие EN847-1.
16. Разместите инструмент и детали на ровной и устойчивой поверхности. В противном случае инструмент или детали могут упасть и стать причиной травмы.

СОХРАНИТЕ ДАННЫЕ ИНСТРУКЦИИ.

▲ ОСТОРОЖНО: НЕ ДОПУСКАЙТЕ, чтобы удобства или опыт эксплуатации данного устройства (полученный от многократного использования) доминировали над строгим соблюдением правил техники безопасности при обращении с этим устройством. **НЕПРАВИЛЬНОЕ ИСПОЛЬЗОВАНИЕ** инструмента или несоблюдение правил техники безопасности, указанных в данном руководстве, может привести к тяжелой травме.

Важные правила техники безопасности для работы с аккумуляторным блоком

1. Перед использованием аккумуляторного блока прочитайте все инструкции и предупреждающие надписи на (1) зарядном устройстве, (2) аккумуляторном блоке и (3) инструменте, работающем от аккумуляторного блока.
2. Не разбирайте блок аккумулятора и не меняйте его конструкцию. Это может привести к пожару, перегреву или взрыву.
3. Если время работы аккумуляторного блока значительно сократилось, немедленно прекратите работу. В противном случае, может возникнуть перегрев блока, что приведет к ожогам и даже к взрыву.
4. В случае попадания электролита в глаза промойте их обильным количеством чистой воды и немедленно обратитесь к врачу. Это может привести к потере зрения.
5. Не замыкайте контакты аккумуляторного блока между собой:
 - (1) Не прикасайтесь к контактам какими-либо токопроводящими предметами.
 - (2) Не храните аккумуляторный блок в кейсе вместе с другими металлическими предметами, такими как гвозди, монеты и т. п.
 - (3) Не допускайте попадания на аккумуляторный блок воды или дождя.Замыкание контактов аккумуляторного блока между собой может привести к возникновению большого тока, перегреву, возможному ожогу и даже полному блоку.
6. Не храните инструмент и аккумуляторный блок в местах, где температура может достигать или превышать 50 °C (122 °F).

7. Не бросайте аккумуляторный блок в огонь, даже если он сильно поврежден или полностью вышел из строя. Аккумуляторный блок может взорваться под действием огня.
8. Запрещено вбивать гвозди в блок аккумулятора, резать, ломать, бросать, ронять блок аккумулятора или ударять его твердым предметом. Это может привести к пожару, перегреву или взрыву.
9. Не используйте поврежденный аккумуляторный блок.

10. Входящие в комплект литий-ионные аккумуляторы должны эксплуатироваться в соответствии с требованиями законодательства об опасных товарах.

При коммерческой транспортировке, например, третьей стороной или экспедитором, необходимо нанести на упаковку специальные предупреждения и маркировку.

В процессе подготовки устройства к отправке обязательно проконсультируйтесь со специалистом по опасным материалам. Также соблюдайте местные требования и нормы. Они могут быть строже.

Закройте или закрепите разомкнутые контакты и упакуйте аккумулятор так, чтобы он не перемещался по упаковке.

11. Для утилизации блока аккумулятора извлеките его из инструмента и утилизируйте безопасным способом. Выполняйте требования местного законодательства по утилизации аккумуляторного блока.
12. Используйте аккумуляторы только с продукцией, указанной Makita. Установка аккумуляторов на продукцию, не соответствующую требованиям, может привести к пожару, перегреву, взрыву или утечке электролита.
13. Если инструментом не будут пользоваться в течение длительного периода времени, извлеките аккумулятор из инструмента.
14. Во время и после использования блок аккумулятора может нагреваться, что может стать причиной ожогов или низкотемпературных ожогов. Будьте осторожны при обращении с горячим блоком аккумулятора.
15. Не прикасайтесь к контактам инструмента сразу после использования, поскольку они могут быть достаточно горячими, чтобы вызвать ожоги.
16. Не допускайте, чтобы обломки, пыль или земля прилипали к контактам, отверстиям и пазам на блоке аккумулятора. Это может привести к снижению эксплуатационных параметров, поломке инструмента или блока аккумулятора.
17. Если инструмент не рассчитан на использование вблизи высоковольтных линий электропередач, не используйте блок аккумулятора вблизи высоковольтных линий электропередач. Это может привести к неисправности, поломке инструмента или блока аккумулятора.

СОХРАНИТЕ ДАННЫЕ ИНСТРУКЦИИ.

▲ВНИМАНИЕ: Используйте только фирменные аккумуляторные батареи Makita. Использование аккумуляторных батарей, не произведенных Makita, или батарей, которые были подвергнуты модификациям, может привести к взрыву аккумулятора, пожару, травмам и повреждению имущества. Это также автоматически аннулирует гарантию Makita на инструмент и зарядное устройство Makita.

Советы по обеспечению максимального срока службы аккумулятора

1. Заряжайте блок аккумуляторов перед его полной разрядкой. Обязательно прекратите работу с инструментом и зарядите блок аккумуляторов, если вы заметили снижение мощности инструмента.
2. Никогда не подзаряжайте полностью заряженный блок аккумуляторов. Перезарядка сокращает срок службы аккумулятора.
3. Заряжайте блок аккумуляторов при комнатной температуре в 10 - 40 °C (50 - 104 °F). Перед зарядкой горячего блока аккумуляторов дайте ему остыть.
4. Если блок аккумулятора не используется, извлеките его из инструмента или зарядного устройства.
5. Зарядите ионно-литиевый аккумуляторный блок, если вы не будете пользоваться инструментом длительное время (более шести месяцев).

Важные правила техники безопасности для работы с беспроводным блоком

1. Не разбирайте и не меняйте конструкцию беспроводного блока.
2. Храните беспроводной блок в недоступном для детей месте. При случайном проглатывании немедленно обратитесь к врачу.
3. Используйте беспроводной блок только с инструментами Makita.
4. Не подвергайте беспроводной блок воздействию дождя или влаги.
5. Не используйте беспроводной блок в тех местах, где температура превышает 50 °C.
6. Не используйте беспроводной блок в тех местах, где поблизости могут находиться медицинские инструменты, например, кардиостимуляторы.
7. Не используйте беспроводной блок в тех местах, где могут находиться автоматизированные устройства. При использовании автоматизированных устройств могут возникнуть сбои или ошибки.
8. Не используйте беспроводной блок в местах, где он может подвергаться воздействию высокой температуры, статического электричества или электрических помех.
9. Беспроводной блок может создавать электромагнитные поля (EMF), которые не представляют опасности для пользователя.

10. Беспроводной блок является точным инструментом. Не роняйте и не ударяйте беспроводной блок.
11. Не прикасайтесь к клемме беспроводного блока голыми руками или металлическими предметами.
12. Во время установки беспроводного блока обязательно вытащите аккумулятор из устройства.
13. Не открывайте крышку гнезда в таких местах, где в него может попасть пыль и вода. Входное отверстие гнезда всегда должно быть чистым.
14. Обязательно вставляйте беспроводной блок в правильном направлении.
15. Не нажимайте слишком сильно кнопку активации на беспроводном блоке и/или не нажимайте кнопку, используя объекты с острым краем.
16. Во время работы обязательно закрывайте крышку гнезда.
17. Не вытаскивайте беспроводной блок из гнезда, если на инструмент подано питание. Это может привести к неисправной работе беспроводного блока.
18. Не снимайте наклейку с беспроводного блока.
19. Не приклеивайте к беспроводному блоку никаких наклеек.
20. Не оставляйте беспроводной блок в таких местах, где может скапливаться статическое электричество или присутствовать электрические помехи.
21. Не оставляйте беспроводной блок в местах с высокой температурой, например на горячем автомобиле в жару.
22. Не оставляйте беспроводной блок в местах, где присутствует пыль или порошок, или может образоваться коррозионный газ.
23. Внезапное изменение температуры может привести к образованию конденсата на беспроводном блоке. Не используйте беспроводной блок до тех пор, пока конденсат полностью не высохнет.
24. При чистке беспроводного блока аккуратно протрите его сухой мягкой тканью. Не используйте бензин, разбавитель, проводящую смазку или аналогичные материалы.
25. При хранении беспроводного блока поместите его в поставляемый футляр или в контейнер без статического электричества.
26. Не вставляйте в гнездо на инструменте никаких других устройств, кроме беспроводного блока Makita.
27. Не используйте инструмент с поврежденной крышкой гнезда. В гнездо может попасть вода, пыль и грязь, это может привести к неисправности.
28. Не тяните и/или не скручивайте крышку гнезда сильнее, чем это необходимо. Если крышка отсоединилась от инструмента, установите ее на место.
29. Замените крышку гнезда, если она утеряна или повреждена.

СОХРАНИТЕ ДАННЫЕ ИНСТРУКЦИИ.

ОПИСАНИЕ РАБОТЫ

▲ВНИМАНИЕ: Перед регулировкой или проверкой функций инструмента обязательно убедитесь, что он выключен и его аккумуляторный блок снят.

Установка или снятие блока аккумулятора

▲ВНИМАНИЕ: Обязательно выключайте инструмент перед установкой и извлечением аккумуляторного блока.

▲ВНИМАНИЕ: При установке и извлечении аккумуляторного блока крепко удерживайте инструмент и аккумуляторный блок. Если не соблюдать это требование, они могут выскользнуть из рук, что приведет к повреждению инструмента, аккумуляторного блока и травмированию оператора.

► **Рис.7:** 1. Красный индикатор 2. Кнопка 3. Блок аккумулятора

Для снятия аккумуляторного блока нажмите кнопку на лицевой стороне и извлеките блок.

Для установки аккумуляторного блока совместите выступ аккумуляторного блока с пазом в корпусе и задвиньте его на место. Установив блок до упора так, чтобы он зафиксировался на месте с небольшим щелчком. Если вы можете видеть красный индикатор на верхней части клавиши, адаптер аккумуляторного блока не полностью установлен на месте.

▲ВНИМАНИЕ: Обязательно устанавливайте аккумуляторный блок до конца, чтобы красный индикатор не был виден. В противном случае аккумуляторный блок может выпастить из инструмента и нанести травму вам или другим людям.

▲ВНИМАНИЕ: Не прилагайте чрезмерных усилий при установке аккумуляторного блока. Если блок не двигается свободно, значит он вставлен неправильно.

Система защиты инструмента/аккумулятора

На инструменте предусмотрена система защиты инструмента/аккумулятора. Она автоматически отключает питание двигателя для продления срока службы инструмента и аккумулятора. Инструмент автоматически остановится во время работы при возникновении указанных ниже ситуаций. В некоторых ситуациях загораются индикаторы.

Защита от перегрузки

Если из-за способа эксплуатации инструмент потребляет очень большое количество тока, произойдет автоматический останов. В этом случае выключите инструмент и прекратите работу, повлекшую перегрузку инструмента. Затем выключите инструмент для перезапуска.

Защита от перегрева

При перегреве инструмента или аккумулятора инструмент автоматически останавливается, подсветка начинает мигать. В этом случае дайте инструменту/аккумулятору остыть перед повторным включением.

Защита от переразрядки

При истощении заряда аккумулятора инструмент автоматически останавливается. Если устройство не работает даже после нажатия переключателей, снимите аккумуляторы с инструмента и зарядите их.

Индикация оставшегося заряда аккумулятора

Нажмите кнопку проверки на аккумуляторном блоке для проверки заряда. Индикаторы загорятся на несколько секунд.

► Рис.8: 1. Индикаторы 2. Кнопка проверки

Индикаторы			Уровень заряда
Горит	Выкл.	Мигает	
■	□	◐	от 75 до 100%
■ ■ ■ ■	□	□	от 50 до 75%
■ ■	□ □	□ □	от 25 до 50%
■	□ □ □ □	□ □	от 0 до 25%
◐	□ □ □ □	□ □	Зарядите аккумуляторную батарею.
■ ■ □ □	□ □	■ ■	Возможно, аккумуляторная батарея неисправна.
□ □	■ ■	■ ■	

ПРИМЕЧАНИЕ: В зависимости от условий эксплуатации и температуры окружающего воздуха индикация может незначительно отличаться от фактического значения.

Действие выключателя

▲ ОСТОРОЖНО: Перед установкой аккумуляторного блока в инструмент обязательно убедитесь, что его триггерный переключатель нормально работает и возвращается в положение "OFF" (ВЫКЛ) при отпускании.

▲ ОСТОРОЖНО: ЗАПРЕЩАЕТСЯ нарушать работу кнопки разблокировки, заклеивая ее скотчем или другими способами. Выключатель с неработающей кнопкой разблокировки может стать причиной случайного включения и причинения тяжелой травмы.

▲ ОСТОРОЖНО: ЗАПРЕЩАЕТСЯ использовать инструмент, когда он работает при простом нажатии на триггерный переключатель без нажатия на кнопку разблокировки. Требующий ремонта инструмент может случайно включиться и причинить тяжелую травму. Верните инструмент в сервисный центр Makita для надлежащего ремонта ДО продолжения его эксплуатации.

Для предотвращения непреднамеренного включения триггерного переключателя имеется кнопка разблокировки. Для запуска инструмента, отпустите кнопку блокировки, затем потяните триггерный переключатель. Отпустите триггерный переключатель для останова.

► Рис.9: 1. Триггерный переключатель 2. Кнопка разблокировки

ПРИМЕЧАНИЕ: Не нажимайте сильно на триггерный переключатель без нажатия на кнопку разблокировки. Это может привести к поломке переключателя.

▲ ВНИМАНИЕ: Механизм торможения диска циркулярной пилы начинает срабатывать сразу же после того, как оператор отпускает триггерный переключатель. Крепко держите инструмент, чтобы при отпускании триггерного переключателя противодействовать отдаче механизма торможения. В противном случае вы можете выпустить инструмент из рук и травмироваться.

Функция автоматического изменения скорости

В данном инструменте предусмотрен "режим высокой скорости" и "режим высокого крутящего момента".

Инструмент автоматически меняет режим работы в зависимости от нагрузки. При малой рабочей нагрузке инструмент будет работать в высокоскоростном режиме для более быстрого резания. При высокой рабочей нагрузке инструмент будет работать в режиме высокого крутящего момента для более мощного резания.

► Рис.10: 1. Индикатор режима

Индикатор режима загорается зеленым, когда инструмент находится в режиме высокого крутящего момента.

Если инструмент работает с чрезмерной нагрузкой, индикатор режима загорится зеленым. После снижения нагрузки индикатор режима перестанет мигать и будет гореть непрерывно или выключится.

Состояние индикатора режима			Режим работы
● Вкл	○ Выкл	◐ Мигает	
○	○	○	Режим высокой скорости
○	●	○	Режим высокого крутящего момента
○	○	◐	Предупреждение о перегрузке

Регулировка глубины пропила

⚠ВНИМАНИЕ: После регулировки глубины реза всегда крепко затягивайте рычаг.

Ослабьте рычаг на направляющей глубины и переместите основание вверх или вниз. Установив необходимую глубину реза, закрепите основание путем затяжки рычага.

Для чистого и безопасного распиливания установите глубину пропила так, чтобы под распиливаемой деталью дисковая пила выступала не более чем на один зуб. Установка надлежащей глубины пропила снижает вероятность опасной ОТДАЧИ, которая может причинить травму.

► Рис.11: 1. Рычаг

Резка под углом

⚠ВНИМАНИЕ: После регулировки угла скоса всегда крепко затягивайте зажимные винты.

Ослабьте зажимные винты. Установите желаемый угол, соответственно наклоняя основание, и затем надежно затяните винты.

► Рис.12: 1. Зажимной винт

При выполнении резки точно под углом 45° используйте ограничитель. Полностью поверните ограничитель, как показано на рисунке, в зависимости от угла резки со скосом: от 0° до 45° или от 0° до 48°.

► Рис.13: 1. Ограничитель

Наведение

Для прямого пропила совместите положение 0° лицевой стороны основания с вашей линией разреза. Для реза со скосом 45° совместите положение 45° с линией распиливания.

► Рис.14: 1. Линия разреза (положение 0°)
2. Линия разреза (положение 45°)

Включение лампы

⚠ВНИМАНИЕ: Не смотрите непосредственно на свет или источник света.

Чтобы включить лампу без остановки инструмента, потяните триггерный переключатель, не нажимая кнопку разблокировки.

Для включения лампы во время работы инструмента нажмите и удерживайте кнопку разблокировки, а затем потяните триггерный переключатель.

Лампа гаснет через 10 секунд после отпускания триггерного переключателя.

► Рис.15: 1. Лампа

ПРИМЕЧАНИЕ: Для удаления пыли с линзы лампы используйте сухую ткань. Не допускайте возникновения царапин на линзе лампы, так как это приведет к снижению освещенности.

ПРИМЕЧАНИЕ: При перегреве инструмента лампочка мигает на протяжении одной минуты. В этом случае дайте инструменту остыть, прежде чем продолжить работу.

Крючок

Дополнительные принадлежности

⚠ВНИМАНИЕ: Всегда извлекайте аккумулятор, если подвешиваете инструмент с помощью крючка.

⚠ВНИМАНИЕ: Не подвешивайте инструмент высоко и не размещайте его в потенциально неустойчивых местах, например на поверхностях. В противном случае инструмент может потерять устойчивость и упасть.

⚠ВНИМАНИЕ: Не тяните подвешенный инструмент вниз.

Крючок используется для временного подвешивания инструмента.

► Рис.16

Привинтите крючок, как показано на рисунке.

► Рис.17: 1. Крючок 2. Винт

Для использования крючка просто поднимите его так, чтобы он защелкнулся в открытом положении. Если крючок не используется, опустите его так, чтобы он защелкнулся в закрытом положении.

► Рис.18: 1. Открытое положение 2. Закрытое положение

Электрический тормоз

Этот инструмент оснащен электрическим тормозом диска. Если после отпускания пускового рычага диск циркулярной пилы продолжает некоторое время вращаться, отнесите инструмент в сервисный центр Makita для обслуживания.

⚠ВНИМАНИЕ: Тормозная система диска не является заменой кожуха диска. ЗАПРЕЩАЕТСЯ ИСПОЛЬЗОВАТЬ ИНСТРУМЕНТ, ЕСЛИ КОЖУХ ДИСКА НЕ РАБОТАЕТ. ЭТО МОЖЕТ ПРИВЕСТИ К ТЯЖЕЛОЙ ТРАВМЕ.

Электронная функция

Инструменты, в которых доступны электронные функции, просты в эксплуатации благодаря следующим характеристикам.

Функция плавного запуска

Плавный запуск благодаря подавлению начального удара.

СБОРКА

⚠ВНИМАНИЕ: Перед проведением каких-либо работ с инструментом обязательно убедитесь, что инструмент отключен, а блок аккумулятора снят.

Хранение шестигранного ключа

Когда шестигранный ключ не используется, храните его, как показано на рисунке, чтобы не потерять.

► Рис.19: 1. Шестигранный ключ

Снятие или установка диска циркулярной пилы

⚠ВНИМАНИЕ: Обязательно проверяйте правильность установки диска циркулярной пилы. Зубья должны смотреть вверх в передней части инструмента.

⚠ВНИМАНИЕ: Для снятия или установки диска циркулярной пилы пользуйтесь только ключом Makita.

Для снятия диска циркулярной пилы нажмите на фиксатор вала до упора, чтобы предотвратить вращение диска, и ослабьте шестигранный болт, повернув его шестигранным ключом. Удалите шестигранный болт, внешний фланец, диск циркулярной пилы и кольцо (в зависимости от страны).

► **Рис.20:** 1. Фиксатор вала 2. Шестигранный ключ 3. Ослабить 4. Затянуть

Для инструмента без кольца

► **Рис.21:** 1. Болт с шестигранной головкой 2. Наружный фланец 3. Диск циркулярной пилы 4. Стрелка на диске циркулярной пилы 5. Внутренний фланец 6. Стрелка на инструменте

Для инструмента с кольцом

► **Рис.22:** 1. Болт с шестигранной головкой 2. Наружный фланец 3. Диск циркулярной пилы 4. Стрелка на диске циркулярной пилы 5. Кольцо 6. Внутренний фланец 7. Стрелка на инструменте

Установка диска циркулярной пилы выполняется в порядке, обратном процедуре снятия.

Установите диск на инструменте таким образом, чтобы стрелка на диске указывала в том же направлении, что и стрелка на инструменте.

Для инструмента с внутренним фланцем под пильный диск с отверстием, размер которого не соответствует стандарту в 15,88 мм

На одной стороне внутреннего фланца имеется выступ определенного диаметра, отличающийся от диаметра выступа на противоположной стороне. Правильно выбирайте сторону, выступ на которой точно соответствует отверстию на пильном диске. Установите внутренний фланец на вал так, чтобы правильная сторона выступа на внутреннем фланце была обращена наружу, после чего установите диск и внешний фланец.

► **Рис.23:** 1. Установочный вал 2. Внутренний фланец 3. Диск циркулярной пилы 4. Наружный фланец 5. Болт с шестигранной головкой

⚠ОСТОРОЖНО: ОБЯЗАТЕЛЬНО ЗАТЯНИТЕ БОЛТ С ШЕСТИГРАННОЙ ГОЛОВКОЙ ПО ЧАСОВОЙ СТРЕЛКЕ. Не перетягивайте болт. Соскальзывание руки с шестигранного ключа может стать причиной травмы.

⚠ОСТОРОЖНО: Убедитесь, что наружный выступ "а" на внутреннем фланце точно входит в отверстие "а" пильного диска. Установка диска неверной стороной может привести к возникновению опасной вибрации.

Для инструмента с внутренним фланцем под пильный диск с отверстием диаметром 15,88 мм (зависит от страны)

Установите внутренний фланец на вал утопленной частью наружу, затем установите пильный диск (при необходимости – с установленным кольцом), внешний фланец и болт с шестигранной головкой.

Для инструмента без кольца

► **Рис.24:** 1. Установочный вал 2. Внутренний фланец 3. Диск циркулярной пилы 4. Наружный фланец 5. Болт с шестигранной головкой

Для инструмента с кольцом

► **Рис.25:** 1. Установочный вал 2. Внутренний фланец 3. Диск циркулярной пилы 4. Наружный фланец 5. Болт с шестигранной головкой 6. Кольцо

⚠ОСТОРОЖНО: ОБЯЗАТЕЛЬНО ЗАТЯНИТЕ БОЛТ С ШЕСТИГРАННОЙ ГОЛОВКОЙ ПО ЧАСОВОЙ СТРЕЛКЕ. Не перетягивайте болт. Соскальзывание руки с шестигранного ключа может стать причиной травмы.

⚠ОСТОРОЖНО: Перед установкой диска на шпидель всегда проверяйте, что между внутренним и внешним фланцами установлено кольцо с соответствующим отверстием для того диска, который вы собираетесь использовать. Использование неправильного кольца с отверстием может привести к неправильной установке диска, что вызовет его перемещение и сильную вибрацию, которая может стать причиной потери контроля над инструментом во время работы и причинения тяжелых травм.

Очистка ограждения диска

При замене диска циркулярной пилы убедитесь, что вы почистили верхнее и нижнее ограждение диска от скопившихся опилок в соответствии с инструкциями в разделе "Техническое обслуживание". Подобные меры не заменяют необходимость проверки нижнего защитного кожуха перед каждым использованием.

Подключение пылесоса

При необходимости выполнения чистого распиливания подключите к вашему инструменту пылесос Makita. Подсоедините шланг пылесоса к пылесборному патрубку, как показано на рисунке.

► **Рис.26:** 1. Пылесборный патрубок 2. Винт

► **Рис.27:** 1. Шланг 2. Пылесос

ЭКСПЛУАТАЦИЯ

Этот инструмент предназначен для резки лесоматериалов. При использовании соответствующих оригинальных дисков циркулярной пилы Makita также возможно распиливание указанных далее материалов:

- алюминий

Посетите наш веб-сайт или обратитесь к местному дилеру компании Makita для получения информации о подходящих для разрезаемого материала дисках циркулярной пилы.

Проверка работы защитного кожуха диска

Установите угол скоса на 0°, вручную выдвиньте нижний защитный кожух до конца и извлеките его. Нижний защитный кожух работает правильно, если:

- он выходит над основанием без помех;
- автоматически возвращается до касания ограничителя.

► **Рис.28:** 1. Верхний защитный кожух 2. Нижний защитный кожух 3. Основание 4. Ограничитель 5. Направление открытия 6. Направление закрытия

Если нижний защитный кожух не работает правильно, убедитесь в том, что мелкие опилки собираются внутри верхних и нижних защитных кожухов. Если нижний защитный кожух не работает правильно даже после удаления пыли, отнесите инструмент в сервисный центр Makita для обслуживания.

Резка

ВНИМАНИЕ: Во время резки надевайте респиратор.

ВНИМАНИЕ: Осторожно перемещайте инструмент вперед по прямой линии. Применение силы или кручение инструмента приводят к перегреву двигателя и опасному отскоку, результатом чего может стать серьезная травма.

ПРИМЕЧАНИЕ: При низкой температуре блока аккумуляторов инструмент может работать не в полную мощность. В это время инструмент рекомендуется использовать для резания в легких режимах, пока блок аккумуляторов не нагреется до комнатной температуры. Затем инструмент может работать в полную мощность.

► **Рис.29**

Крепко держите инструмент. Инструмент снабжен передней и задней ручками. Используйте обе ручки для удержания инструмента. Если вы держите пилу обеими руками, вы исключаете риск их травмирования пыльным диском. Установите основание циркулярной пилы на распиливаемую деталь так, чтобы пыльный диск не касался детали. Затем включите инструмент и дождитесь набора полной скорости диска циркулярной пилы. Теперь просто перемещайте инструмент вперед по распиливаемой детали, ровно держа пилу и аккуратно подавая ее вперед до полного распиливания детали. Для чистого распиливания перемещайте инструмент вперед строго по прямой линии и с постоянной скоростью. Если при распиливании произошло отклонение от намеченной линии, не пытайтесь принудительно вернуть инструмент на линию распиливания. Это может вызвать изгиб диска циркулярной пилы и возникновение опасной отдачи, которая может привести к травме. Отпустите выключатель, дождитесь остановки диска циркулярной пилы и вытащите его из распила. Заново совместите инструмент с новой линией пропила и начните распиливание снова. Старайтесь избежать положений, при которых отбрасываемые пилой опилки и древесная пыль попадают на оператора. Во избежание получения травм используйте защитные очки.

Направляющая планка (направляющая линейка)

ВНИМАНИЕ: Перед началом работы убедитесь в том, что направляющая планка надежно закреплена в правильном положении. Неправильное закрепление может привести к опасной отдаче.

► **Рис.30:** 1. Направляющая планка (направляющая линейка) 2. Зажимной винт

Удобная направляющая планка помогает вам делать исключительно точные прямые пропилы. Просто прикрутите направляющую планку к боковой поверхности обрабатываемой детали и закрепите ее в таком положении с помощью винта в передней части основания. Она позволяет также осуществлять повторное отпиливание деталей одинаковой ширины.

Направляющий рельс

Дополнительные принадлежности

Поместите инструмент на задний конец направляющего рельса. Поверните два регулировочных винта на основании инструмента таким образом, чтобы инструмент скользил плавно и без дребезга. Крепко держите инструмент за переднюю и заднюю ручки. Включите инструмент и срежьте предохранитель скальвания по всей длине за один проход. Теперь край предохранителя скальвания совпадает с краем резания.

► **Рис.31:** 1. Регулировочные винты

Выполняя резку под скосом с помощью направляющего рельса, используйте рычаг скольжения для предотвращения падения инструмента. Переместите рычаг скольжения на основании инструмента в направлении стрелки таким образом, чтобы он вошел в канавку направляющего рельса.

► **Рис.32:** 1. Рычаг скольжения

Подсоединение стропа (страховочного ремня)

ВНИМАНИЕ: Инструкции по технике безопасности работ на высоте

Ознакомьтесь со всеми предупреждениями и инструкциями по технике безопасности. Несоблюдение требований предупреждений и инструкций может привести к серьезным травмам.

1. При выполнении работ на высоте обязательно используйте страховочный ремень для фиксации инструмента. Максимальная длина стропа составляет 2 м (6,5 фута). Максимальная допустимая высота падения для стропа (страховочного ремня) не должна превышать 2 м (6,5 фута).
2. С этим инструментом следует использовать только специальные стропы, рассчитанные на нагрузку не менее 7,0 кг (15,4 фунта).

3. Не прикрепляйте строп инструмента к элементам одежды или к подвижным деталям. Прикрепите строп инструмента к жесткой конструкции, которая может выдержать вес падающего инструмента.
4. Перед использованием убедитесь в том, что строп надежно закреплен со всех концов.
5. Проверьте инструмент и строп перед каждым использованием на предмет исправности и отсутствия повреждений (включая состояние ткани и швов). Не используйте поврежденные или неисправные приспособления.
6. Не оборачивайте стропы вокруг предметов с острыми или зазубренными краями и не допускайте соприкосновения стропов с такими предметами.
7. Прикрепите другой конец стропа за пределами рабочей зоны таким образом, чтобы падающий инструмент надежно фиксировался.
8. Прикрепите строп таким образом, чтобы в случае падения инструмент двигался в противоположном от оператора направлении. Упавшие инструменты будут раскачиваться на стропе, что может привести к травме или потере баланса.
9. Не использовать вблизи движущихся частей или работающего оборудования. Несоблюдение этого требования может привести к механическим повреждениям или запутыванию.
10. Не переносите инструмент, держа за крепёжное приспособление или строп.
11. Переключайте инструмент из одной руки в другую только находясь в устойчивом положении.
12. Прикрепляя стропы к инструменту, следите за тем, чтобы они не препятствовали нормальной работе защитных приспособлений, переключателей или рычагов блокировки.
13. Не допускайте запутывания в стропе.
14. Держите строп на расстоянии от зоны резания инструмента.
15. Используйте универсальные карабины и карабины с винтовым замком. Не используйте карабины одностороннего действия с пружинным фиксатором.
16. Если инструмент упал, его следует поместить, прекратить его эксплуатацию и отправить на завод или в авторизованный сервисный центр Makita для проверки.

► Рис.33: 1. Отверстие для стропа (страховочный ремень)

ФУНКЦИЯ БЕСПРОВОДНОЙ АКТИВАЦИИ

Что позволяет делать функция беспроводной активации

Функция беспроводной активации обеспечивает беспрепятственную и удобную работу. Подключив к инструменту поддерживаемый пылесос, можно его автоматически запускать, используя переключатель инструмента.

► Рис.34

Чтобы использовать функцию беспроводной активации, подготовьте следующие компоненты:

- Беспроводной блок (Дополнительные принадлежности)
- Пылесос, который поддерживает функцию беспроводной активации

Обзор настройки функции беспроводной активации выглядит следующим образом. Подробные процедуры см. в каждом разделе.

1. Установка беспроводного блока
2. Регистрация инструмента для пылесоса
3. Запуск функции беспроводной активации

Установка беспроводного блока

Дополнительные принадлежности

▲ВНИМАНИЕ: При установке беспроводного блока поместите инструмент на ровную и устойчивую поверхность.

ПРИМЕЧАНИЕ: Перед началом установки беспроводного блока очистите пыль и грязь на инструменте. Если пыль или грязь попадет в гнездо беспроводного блока, это может привести к неисправности.

ПРИМЕЧАНИЕ: Во избежание сбоев, вызванных статическим электричеством, прежде чем поднимать беспроводной блок, прикоснитесь к материалу, позволяющему снять статический разряд, например, к металлической части инструмента.

ПРИМЕЧАНИЕ: При установке беспроводного блока всегда следите за тем, чтобы беспроводной блок был вставлен в правильном направлении, и крышка была полностью закрыта.

1. Откройте крышку на инструменте, как показано на рисунке.

► Рис.35: 1. Крышка

2. Вставьте беспроводной блок в гнездо и закройте крышку.

При вставке беспроводного блока выравнивайте выступы с углубленными участками в гнезде.

► Рис.36: 1. Беспроводной блок 2. Защита 3. Крышка 4. Углубленный участок

При извлечении беспроводного блока медленно откройте крышку. Если потянуть крышку, то крючки на обратной стороне крышки поднимут беспроводной блок.

- **Рис.37:** 1. Беспроводной блок 2. Крючок
3. Крышка

После извлечения беспроводного блока поместите его в поставляемый футляр или в контейнер без статического электричества.

ПРИМЕЧАНИЕ: Для снятия беспроводного блока обязательно используйте крючки на обратной стороне крышки. Если крючки не захватывают беспроводной блок, полностью закройте крышку и снова медленно откройте ее.

Регистрация инструмента для пылесоса

ПРИМЕЧАНИЕ: Для регистрации инструмента необходим пылесос Makita, поддерживающий функцию беспроводной активации.

ПРИМЕЧАНИЕ: Перед началом регистрации инструмента завершите установку беспроводного блока в инструмент.

ПРИМЕЧАНИЕ: Во время регистрации инструмента не тяните за триггерный переключатель и не включайте выключатель питания на пылесосе.

ПРИМЕЧАНИЕ: См. также руководство по эксплуатации пылесоса.

Если необходимо активировать пылесос одновременно с переключением инструмента, сначала завершите регистрацию инструмента.

1. Установите аккумулятор в пылесос и инструмент.
2. Установите выключатель режима ожидания на пылесосе в положение «АУТО» (автоматический).
► **Рис.38:** 1. Выключатель режима ожидания
3. Нажмите и удерживайте кнопку беспроводной активации на пылесосе в течение 3 секунд, пока лампа беспроводной активации не замигает зеленым цветом. Затем таким же образом нажмите кнопку беспроводной активации на инструменте.
► **Рис.39:** 1. Кнопка беспроводной активации
2. Лампа беспроводной активации

Если пылесос и инструмент надежно соединены друг с другом, то лампы беспроводной активации будут гореть зеленым светом в течение 2 секунд, затем начнут мигать синим цветом.

ПРИМЕЧАНИЕ: Через 20 секунд лампы беспроводной активации связи закончат мигать зеленым цветом. Если на пылесосе мигает лампа беспроводной активации, нажмите кнопку беспроводной активации на инструменте. Если лампа беспроводной активации не мигает зеленым цветом, нажмите кнопку беспроводной активации на короткое время, а затем снова удерживайте ее.

ПРИМЕЧАНИЕ: При выполнении двух или более регистраций инструмента для одного пылесоса завершите регистрацию инструмента одну за другой.

Запуск функции беспроводной активации

ПРИМЕЧАНИЕ: Перед беспроводной активацией завершите регистрацию инструмента для пылесоса.

ПРИМЕЧАНИЕ: См. также руководство по эксплуатации пылесоса.

После регистрации инструмента для пылесоса можно использовать переключатель инструмента для автоматического запуска пылесоса.

1. Установите беспроводной блок в инструмент.
2. Подсоедините шланг пылесоса к инструменту.
► **Рис.40**

3. Установите выключатель режима ожидания на пылесосе в положение «АУТО» (автоматический).

► **Рис.41:** 1. Выключатель режима ожидания

4. На короткое время нажмите кнопку беспроводной активации на инструменте. Лампа беспроводной активации мигает синим цветом.

► **Рис.42:** 1. Кнопка беспроводной активации
2. Лампа беспроводной активации

5. Потяните триггерный переключатель инструмента. Проверьте, работает ли пылесос при нажатии триггерного переключателя.

Чтобы остановить беспроводную активацию пылесоса, нажмите кнопку беспроводной активации на инструменте.

ПРИМЕЧАНИЕ: Если в течение 2 часов не будет выполняться никаких действий, то лампа беспроводной активации на инструменте перестанет мигать синим цветом. В этом случае установите выключатель режима ожидания на пылесосе в положение «АУТО» и снова нажмите кнопку беспроводной активации на инструменте.

ПРИМЕЧАНИЕ: Пылесос запускается/останавливается с задержкой. Когда пылесос обнаруживает переключение выключателя инструмента, возникает временная задержка.

















ПРИМЕЧАНИЕ: Дальность передачи беспроводного блока может варьироваться в зависимости от местоположения и окружающих предметов.

ПРИМЕЧАНИЕ: Если на одном пылесосе зарегистрировано два или несколько инструментов, пылесос может начать работать, даже если триггерный переключатель не нажат, поскольку другой пользователь использует функцию беспроводной активации.

Описание статуса лампы беспроводной активации

► Рис.43: 1. Лампа беспроводной активации

Лампа беспроводной активации отображает состояние функции беспроводной активации. Значения состояния лампы см. в таблице ниже.

Состояние	Лампа беспроводной активации				Описание
	Цвет	 Вкл	 Мигает	Продолжительность	
Ожидание	Синий			2 часа	Доступна беспроводная активация пылесоса. Если в течение 2 часов не будет выполняться никаких операций, лампа автоматически выключится.
				Пока инструмент работает.	Доступна беспроводная активация пылесоса, инструмент работает.
Регистрация инструмента	Зеленая			20 секунд	Готовность к регистрации инструмента. Ожидание регистрации пылесосом.
				2 секунды	Регистрация инструмента завершена. Лампа беспроводной активации начнет мигать синим цветом.
Отмена регистрации инструмента	Красная			20 секунд	Готовность к отмене регистрации инструмента. Ожидание отмены пылесосом.
				2 секунды	Отмена регистрации инструмента завершена. Лампа беспроводной активации начнет мигать синим цветом.
Прочие	Красная			3 секунд	На беспроводной блок подается питание, и запускается функция беспроводной активации.
	Выкл	-	-	-	Беспроводная активация пылесоса прекращается.

Отмена регистрации инструмента для пылесоса

При отмене регистрации инструмента для пылесоса выполните следующую процедуру.

1. Установите аккумулятор в пылесос и инструмент.
2. Установите выключатель режима ожидания на пылесосе в положение «АУТО» (автоматический).

► Рис.44: 1. Выключатель режима ожидания

3. Нажмите и удерживайте кнопку беспроводной активации на пылесосе в течение 6 секунд. Лампа беспроводной активации мигает зеленым, а затем переключается на красный цвет. После этого нажмите кнопку беспроводной активации на инструменте таким же образом.

- Рис.45: 1. Кнопка беспроводной активации
2. Лампа беспроводной активации

Если отмена выполнена успешно, лампы беспроводной активации загорятся красным цветом на 2 секунды и начнут мигать синим цветом.

ПРИМЕЧАНИЕ: По истечении 20 секунд лампы беспроводной активации прекращают мигать красным цветом. Если на пылесосе мигает лампа беспроводной активации, нажмите кнопку беспроводной активации на инструменте. Если лампа беспроводной активации не мигает красным цветом, нажмите кнопку беспроводной активации на короткое время, а затем снова удерживайте ее.

Поиск и устранение неисправностей для функции беспроводной активации

Прежде чем обращаться по поводу ремонта, проведите осмотр самостоятельно. Если обнаружена неисправность, не указанная в руководстве, не пытайтесь разобрать инструмент. Обратитесь в один из авторизованных сервисных центров Makita, в которых для ремонта всегда используются оригинальные детали Makita.

Состояние неисправности	Возможная причина (неисправности)	Способ устранения
Лампа беспроводной активации не горит/мигает.	Беспроводной блок не установлен в инструмент. Беспроводной блок неправильно установлен в инструмент.	Правильно установите беспроводной блок.
	Грязь на клемме беспроводного блока и/или гнезда.	Аккуратно вытрите пыль и грязь на клемме беспроводного блока и очистите гнездо.
	Не нажата кнопка беспроводной активации на инструменте.	На короткое время нажмите кнопку беспроводной активации на инструменте.
	Выключатель режима ожидания на пылесосе не установлен в положение «АУТО» (автоматический).	Установите выключатель режима ожидания на пылесосе в положение «АУТО» (автоматический).
	Отсутствует электропитание	Подайте питание на инструмент и пылесос.
Не удается успешно завершить регистрацию/отмену регистрации инструмента.	Беспроводной блок не установлен в инструмент. Беспроводной блок неправильно установлен в инструмент.	Правильно установите беспроводной блок.
	Грязь на клемме беспроводного блока и/или гнезда.	Аккуратно вытрите пыль и грязь на клемме беспроводного блока и очистите гнездо.
	Выключатель режима ожидания на пылесосе не установлен в положение «АУТО» (автоматический).	Установите выключатель режима ожидания на пылесосе в положение «АУТО» (автоматический).
	Отсутствует электропитание	Подайте питание на инструмент и пылесос.
	Неверная операция	На короткое время нажмите кнопку беспроводной активации и снова выполните процедуру регистрации/отмены.
	Большое расстояние между инструментом и пылесосом (вне диапазона передачи).	Расположите инструмент и пылесос ближе друг к другу. Максимальное расстояние передачи составляет приблизительно 10 м, однако оно может изменяться в зависимости от обстоятельств.
	Перед завершением регистрации инструмента/отмены; - был вытянут триггерный переключатель на инструменте или; - нажата кнопка питания на пылесосе.	На короткое время нажмите кнопку беспроводной активации и снова выполните процедуру регистрации/отмены.
	Процедура регистрации инструмента для инструмента или пылесоса не завершена.	Одновременно выполните процедуры регистрации инструмента для инструмента и для пылесоса.
Радиопомехи от других приборов, которые генерируют радиоволны высокой интенсивности.	Избегайте эксплуатации инструмента и пылесоса рядом с такими приборами, как устройства Wi-Fi и микроволновые печи.	

Состояние неисправности	Возможная причина (неисправности)	Способ устранения
Пылесос не работает при использовании переключателя инструмента.	Беспроводной блок не установлен в инструмент. Беспроводной блок неправильно установлен в инструмент.	Правильно установите беспроводной блок.
	Грязь на клемме беспроводного блока и/или гнезда.	Аккуратно вытрите пыль и грязь на клемме беспроводного блока и очистите гнездо.
	Не нажата кнопка беспроводной активации на инструменте.	На короткое время нажмите кнопку беспроводной активации и убедитесь в том, что лампа беспроводной активации мигает синим цветом.
	Выключатель режима ожидания на пылесосе не установлен в положение «АUTO» (автоматический).	Установите выключатель режима ожидания на пылесосе в положение «АUTO» (автоматический).
	В пылесосе зарегистрировано более 10 инструментов.	Выполните повторную регистрацию инструмента. Если в пылесосе зарегистрировано более 10 инструментов, инструмент, зарегистрированный самым первым, будет автоматически отменен.
	Пылесос удалил все записи регистрации инструментов.	Выполните повторную регистрацию инструмента.
	Отсутствует электропитание	Подайте питание на инструмент и пылесос.
	Большое расстояние между инструментом и пылесосом (вне диапазона передачи).	Расположите инструмент и пылесос ближе друг к другу. Максимальное расстояние передачи составляет приблизительно 10 м, однако оно может изменяться в зависимости от обстоятельств.
Радиопомехи от других приборов, которые генерируют радиоволны высокой интенсивности.	Избегайте эксплуатации инструмента и пылесоса рядом с такими приборами, как устройства Wi-Fi и микроволновые печи.	
Пылесос работает, хотя триггерный переключатель инструмента не был вытянут.	Другие пользователи используют беспроводную активацию пылесоса с помощью своих инструментов.	Отключите кнопку беспроводной активации других инструментов или отмените регистрацию инструмента для других инструментов.

ОБСЛУЖИВАНИЕ

⚠ВНИМАНИЕ: Перед проведением проверки или работ по техобслуживанию всегда проверяйте, что инструмент выключен, а блок аккумуляторов снят.

⚠ВНИМАНИЕ: Очистите верхний и нижний кожухи, чтобы удалить скопившиеся опилки, так как они могут ухудшить работу нижней защитной системы. Загрязнение защитной системы может помешать ее работе и привести к тяжелым травмам. Самый эффективный способ очистки – это очистка с использованием сжатого воздуха. При удалении пыли из кожухов с помощью сжатого воздуха обязательно используйте надлежащие средства защиты органов зрения и дыхания.

⚠ВНИМАНИЕ: После каждого использования удаляйте опилки с инструмента. Мелкие опилки могут попасть внутрь инструмента и привести к неполадке или возгоранию.

ПРИМЕЧАНИЕ: Запрещается использовать бензин, растворители, спирт и другие подобные жидкости. Это может привести к обесцвечиванию, деформации и трещинам.

Для обеспечения БЕЗОПАСНОСТИ и НАДЕЖНОСТИ оборудования ремонт, любое другое техобслуживание или регулировку необходимо производить в уполномоченных сервис-центрах Makita или сервис-центрах предприятия с использованием только сменных частей производства Makita.

Регулировка точности резки под углом 0° или 45°

Данная регулировка уже выполнена на предприятии-изготовителе. Если регулировка нарушается, выполните следующую процедуру.

1. Ослабьте зажимные винты спереди и сзади на инструменте, чтобы изменить угол скоса. Установите ограничитель в положение, соответствующее углу скоса 0° – 45°, если требуется выполнить разрез под углом 45°.

► **Рис.46:** 1. Зажимной винт 2. Ограничитель

2. Установите основание под углом 90° или 45° к диску циркулярной пилы при помощи треугольной линейки, для чего поверните регулировочный винт, используя шестигранный ключ. Для установки угла 0° можно использовать квадратную линейку.

► **Рис.47:** 1. Треугольная линейка

► **Рис.48:** 1. Регулировка винта для установки угла 0° 2. Регулировка винта для установки угла 45°

3. Затяните зажимные винты и выполните пробный надрез для проверки точности заданного угла.

Регулировка параллельности

⚠ ВНИМАНИЕ: Точно соблюдайте параллельность. В противном случае диск циркулярной пилы может прорезать направляющий рельс, а поврежденный направляющий рельс может причинить травму.

Данная регулировка уже выполнена на предприятии-изготовителе. Если регулировка нарушается, выполните следующую процедуру.

1. Установите на инструменте настройки максимальной глубины резки.
2. Убедитесь в том, что все рычаги и винты затянуты.
3. Ослабьте винты, как показано на рисунке.
4. Открывая нижнее ограждение, переместите заднюю часть основания таким образом, чтобы расстояния А и В были одинаковы.
► **Рис.49:** 1. Винт 2. Основание
5. Затяните винты и выполните пробный надрез для проверки параллельности.

ДОПОЛНИТЕЛЬНЫЕ ПРИНАДЛЕЖНОСТИ

⚠ ВНИМАНИЕ: Данные принадлежности или приспособления рекомендуются для использования с инструментом Makita, указанным в настоящем руководстве. Использование других принадлежностей или приспособлений может привести к получению травмы. Используйте принадлежность или приспособление только по указанному назначению.

Если вам необходимо содействие в получении дополнительной информации по этим принадлежностям, свяжитесь с вашим сервис-центром Makita.

- Диск циркулярной пилы
- Направляющая планка (направляющая линейка)
- Крючок
- Направляющий рельс
- Направляющая для снятия фаски
- Зажим
- Лист
- Резиновый лист
- Позиционирующий лист
- Противопылевая насадка
- Шестигранный ключ
- Беспроводной блок
- Оригинальный аккумулятор и зарядное устройство Makita

ПРИМЕЧАНИЕ: Некоторые элементы списка могут входить в комплект инструмента в качестве стандартных приспособлений. Они могут отличаться в зависимости от страны.

Makita Europe N.V. Jan-Baptist Vinkstraat 2,
3070 Kortenberg, Belgium

Makita Corporation 3-11-8, Sumiyoshi-cho,
Anjo, Aichi 446-8502 Japan

www.makita.com

885789-960
EN, SL, SQ, BG,
HR, MK, SR, RO,
UK, RU
20191218