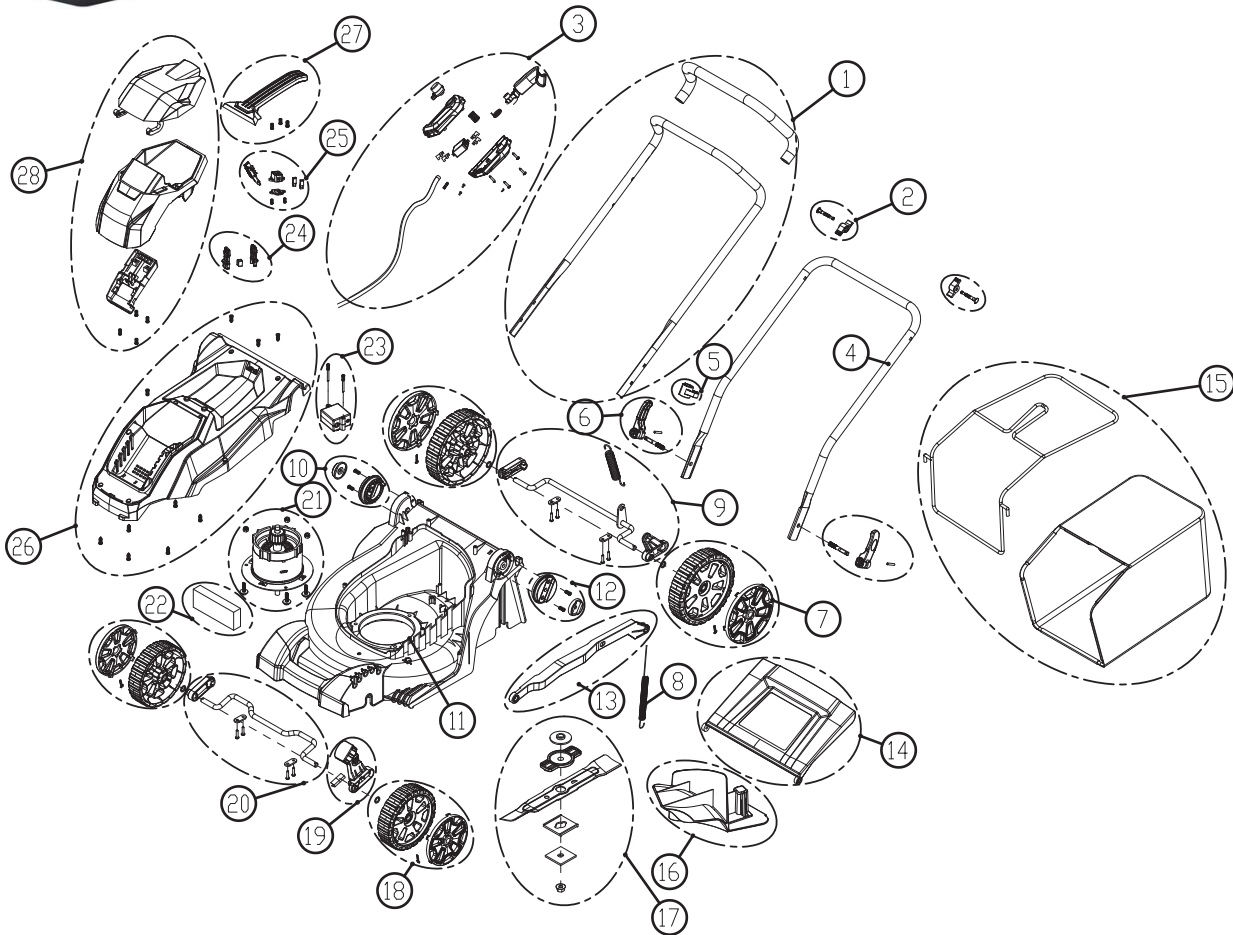




# Lawn mower G40LM35, 2501907



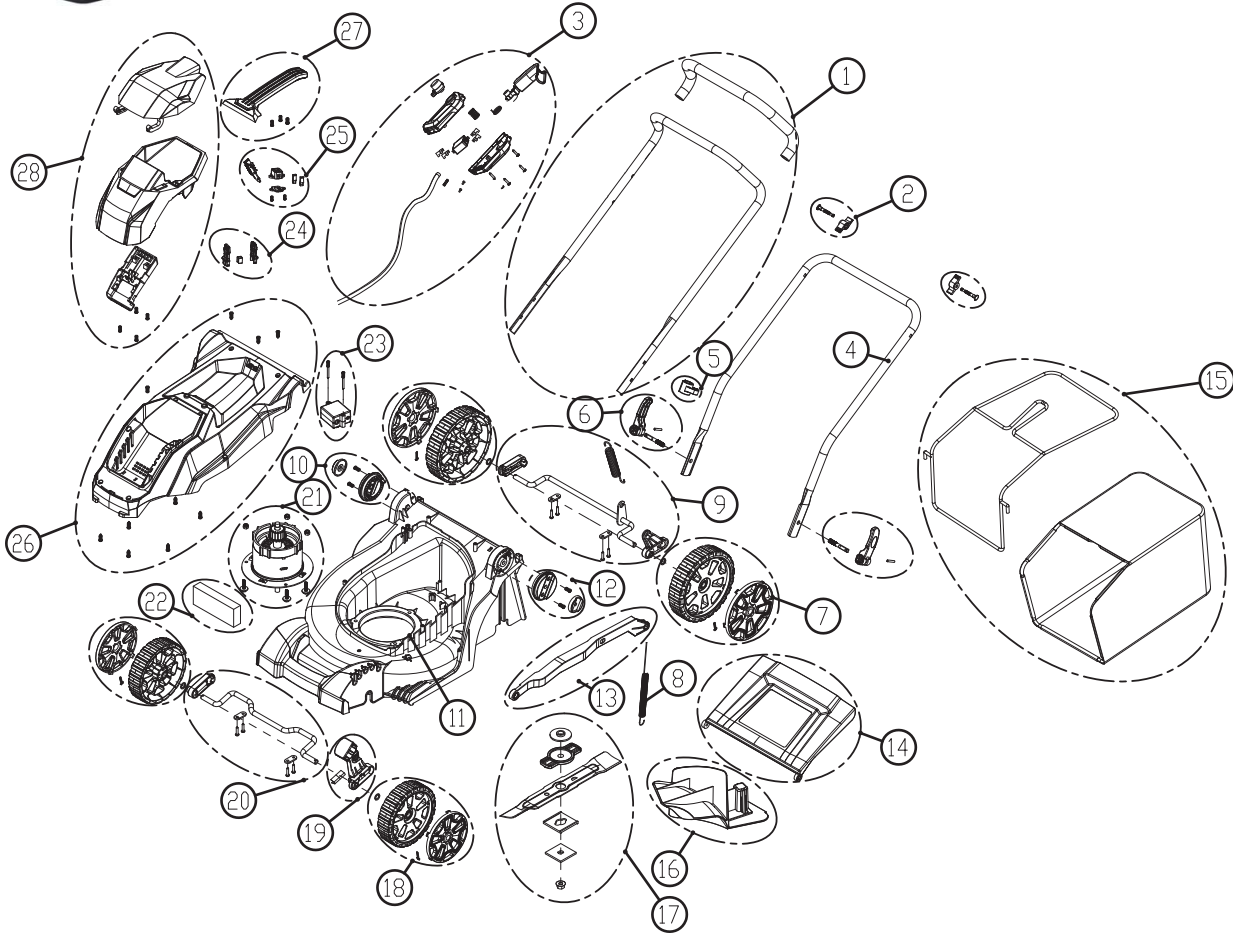
35cm mower G40LM35, 2501907

Pos	PNC	Description	Qty	UOM
1	RA333031558A	14 inch upper handle-rod assembly	1	Set
		14 inch upper handle-rod	1	piece
		Hand-rest sponge	1	piece
		Foam sleeve	1	piece
2	RA3410835AB	Locking knob assembly	2	Set
		Knob	1	piece
		Half-oval head square neck bolt	1	piece
3	RA311031558	Switch box assembly	1	Set
		Switch box handle	1	piece
		Switch box handle torsion spring	1	piece
		Button return spring	1	piece
		Switch box upper casing	1	piece
		Switch box button	1	piece
		Cut-off switch	1	piece
		Horizontal insertion terminal sheath	6	piece
		Horizontal flag insertion terminal 6.3X0.8	6	piece
		Power cord	1	piece
		Internal crimping board	1	piece
		Hexagonal socket pan head self-tapping screw ST4*16-F	2	piece
		Hexagonal socket self-tapping screw ST4.2*18-F	4	piece
		Switch box lower casing	1	piece
		2PIN plug	1	piece
		Wire connector female terminal	2	piece
		Wire connector male terminal	2	piece
		Wire (14AWG black)	65	CM
		Heat shrink tubing φ6	20	CM
		Electrical lead (14AWG red)	10	CM
		Electrical lead (white)	20	CM
		Electrical lead	0,4	M
		Heat shrinkable tubing φ8	10	CM
		Magnetic ring	1	piece
		Inductor	2	piece
4	RA333041558A	Lower handle-rod	1	Set
		14 inch lower handle-rod	1	piece
5	RA3411135V1	Hanging hook	1	Set
		Hanging hook	1	piece

Pos	PNC	Description	Qty	UOM
6	RA311051558	Quick clamp handle assembly	2	Set
		Stud	1	piece
		Elastic cylindrical pin 5*26	1	piece
		Black clamp handle	1	piece
7	RA341121558	7"wheel assembly	2	Set
		7 inch wheel decorative cover	1	piece
		Split pin	1	piece
		7 inch wheel	1	piece
		Axle spacer	1	piece
8	RA333071559	Rear cover pull spring	2	Set
		Rear cover pull spring	1	piece
9	RA311121558	Rear wheel axle assembly	1	Set
		14 inch rear wheel axle	1	piece
		Hexagonal socket pan head self-tapping screw ST4.2*20-C	4	piece
		Height adjustment tableting	2	piece
		Axle positioning block	1	piece
		Height adjustment pull spring	1	piece
		Rear axle bracket	1	piece
10	RA341201558	Left clamping block assembly	1	Set
		Lower handle-rod clamp pad block	1	piece
		Hexagonal socket self-tapping screw ST4.2*18-F	2	piece
		Lower handle-rod left pad block	1	piece
11	RA341011558	14 inch casing	1	Set
		Crimping board	1	piece
		Hexagonal socket	2	piece
		14 inch casing	1	piece
12	RA341221558	Right clamping block assembly	1	Set
		Lower handle-rod right pad block	1	piece
		Hexagonal socket self-tapping screw ST4.2*18-F	2	piece
		Lower handle-rod clamp pad block	1	piece
13	RA341081558	Height adjustment connecting rod assembly	1	Set
		Height adjustment connecting rod	1	piece
		Hexagonal socket self-tapping screw with washer	1	piece
14	RA341051558	Rear cover assembly	1	Set
		Rear cover	1	piece



# Lawn mower G40LM35, 2501907



Pos	PNC	Description	Qty	UOM
15	RA311101558	Grass collecting bag assembly	1	Set
		14 inch grass collecting bag bracket	1	piece
		14 inch grass collecting bag	1	piece
16	RA341091558	Rear plug assembly	1	Set
		Rear plug	1	piece
17	RA33304493	Blade assembly	1	Set
		Shaft lock nut M10X1.25	1	piece
		Square baffle	1	piece
		Blade baffle	1	piece
		14" forward blade	1	piece
		Blade mounting holder	1	piece
		Motor bushing	1	piece
18	RA341101558	6" wheel assembly	2	Set
		6 inch wheel decorative cover	1	piece
		Split pin	1	piece
		6 inch wheel	1	piece
		Axle spacer	1	piece
19	RA341071558	Height adjustment handle	1	Set
		Height adjustment handle	1	piece
		Jump ring piece	1	piece
20	RA333011558	Front wheel axle assembly	1	Set
		14 inch rear wheel axle	1	piece
		Hexagonal socket pan head self-tapping screw ST4.2*20-C	4	piece
		Axle spacer	2	piece
		Axle positioning block	1	piece
21	RA311881558	Motor assembly	1	Set
		Bolt and flat washer combination M6x25	3	piece
		Self-locking nut M6 (black Dacromet coated salt spray 48H)	3	piece
		40V push mower motor	1	piece
22	RA339021558	Clump weight	1	Set
		Clump weight	1	piece
23	RA36202487T1	Pcb assembly	1	Set
		40V single blade control panel, without energy saving protection (TE terminal)	1	piece
		Hexagonal socket self-tapping screw ST3.5X40	2	piece

Pos	PNC	Description	Qty	UOM
24	RA311051479	Key assembly	1	Set
		Left key shell	1	piece
		80v key male insert piece	1	piece
		Right key shell	1	piece
25	RA341131337W	Key base assembly	1	Set
		80V female insert piece	2	piece
		Key holder	1	piece
		Key holder pressure sheet	1	piece
		Hexalobular internal pan head self-tapping screw	2	piece
		housing insert seat	1	piece
		Shrinkable tube φ8	10	CM
		Wire(14AWG black)	40	CM
		Shrinkable tube φ6	10	CM
		Wire(14AWG red)	60	CM
		Wire(yellow)	40	CM
		3PIN Plug	1	piece
		Wire connector female terminal	3	piece
26	RA341021558	Housing assembly	1	Set
		Hexagonal socket self-tapping screw ST4.2*18-F	9	piece
		Upper housing	1	piece
		Hexagonal socket self-tapping screw ST4.2*12-F	1	piece
27	RA341061558	Handle assembly	1	Set
		Handle	1	piece
		Hexagonal socket self-tapping screw ST4.2*12-F	4	piece
28	RA341031558	Battery pack housing assembly	1	Set
		Battery pack transparent cover	1	piece
		Battery pack housing	1	piece
		Battery pack holder	1	piece
		Hexagonal socket self-tapping screw ST3.5x10-F	4	piece
		Electrical lead (14AWG red)	40	CM
		B terminal	2	piece
		Nylon tie, white	4	piece