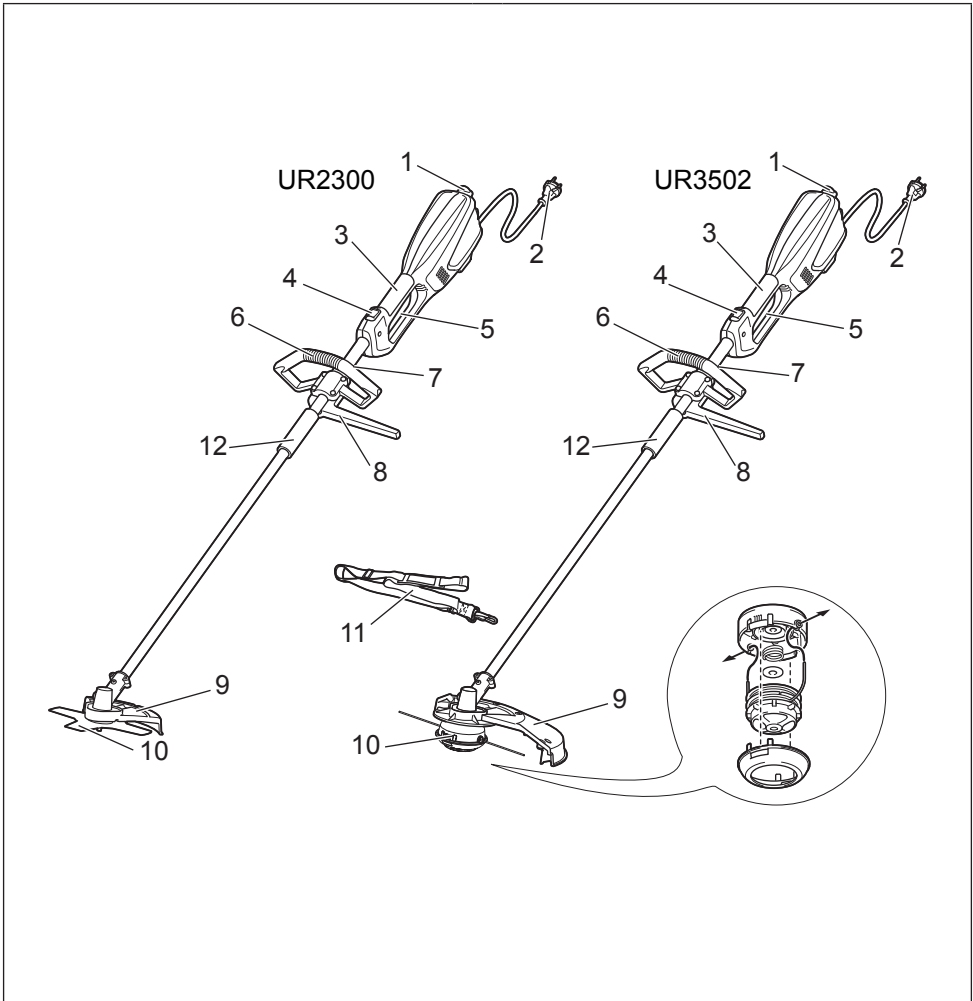




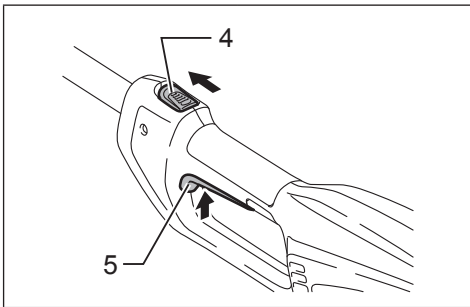
UR2300
UR3502

GB	Electric Grass Trimmer	Instruction Manual
F	Coupe-Herbe Electrique	Manuel d'instructions
D	Elektro-Trimmer	Gebrauchsanleitung
I	Tosaerba elettrico	Istruzioni per l'uso
NL	Elektrische grastrimmer	Gebruiksaanwijzing
E	Cortadora de Césped	Manual de instrucciones
P	Aparador de Grama Eléctrico	Manual de instruções
DK	Elektrisk græstrimmer	Brugervejledning
GR	Ηλεκτρικό κουρευτικό γκαζόν	Εγχειρίδιο οδηγιών
TR	Elektrikli Çim Biçme Makinesi	Kullanım Kılavuzu
PL	Wykaszarka Elektryczna	Instrukcja obsługi
SI	Električna kosilnica na nitko	Navodila za uporabo
AL	Kositës Elektrik i Barit	Manual Udhëzimi
BG	Електрически тример за трева	Упътване за работа
HR	Električni trimer za travu	Upute za korištenje
MK	Електрични ножици за трева (тример)	Упатство за работа
RO	Trimmer electric pentru iarbă	Manual de instrucțiuni
RS	Електрични тример за траву	Упутство за употребу
RUS	Электрокоса	Инструкция по эксплуатации
UA	Електротример	Інструкція з експлуатації

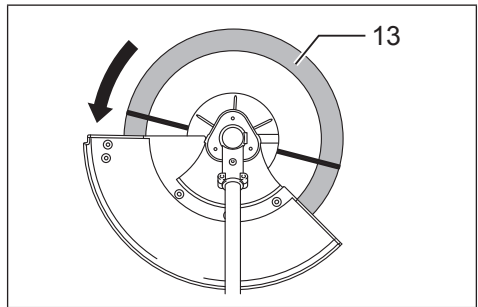




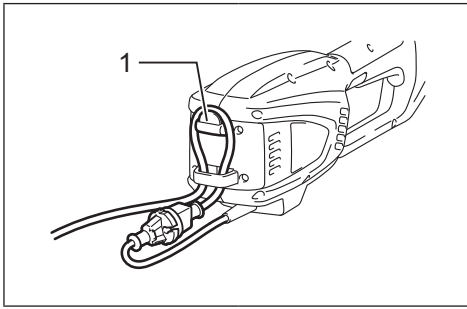
1



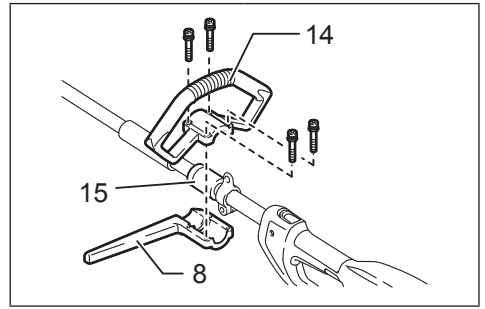
2



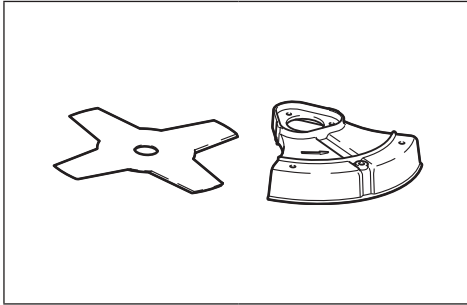
3



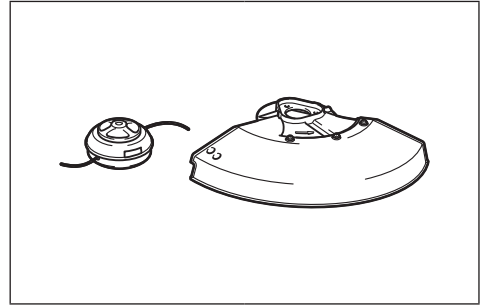
4



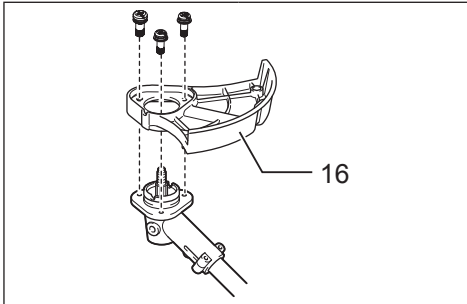
5



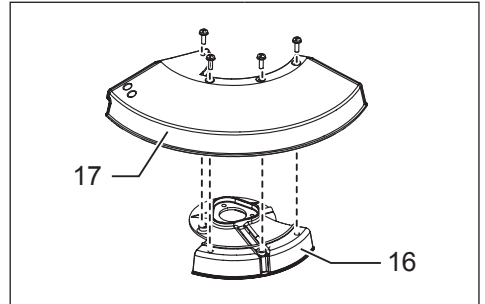
6



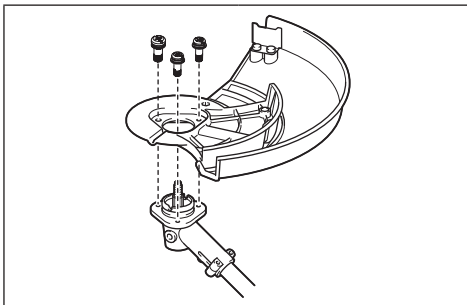
7



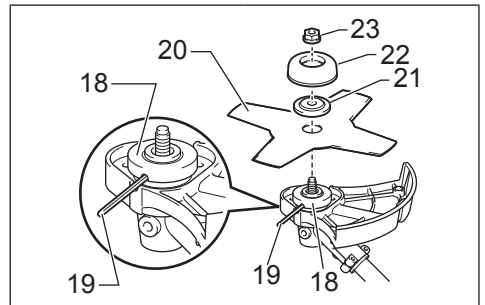
8



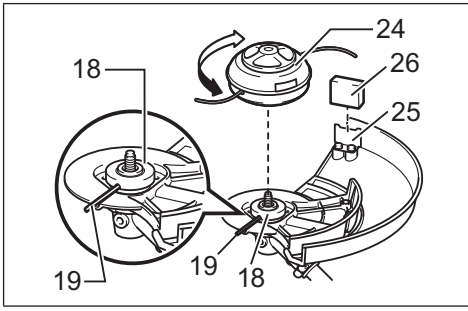
9



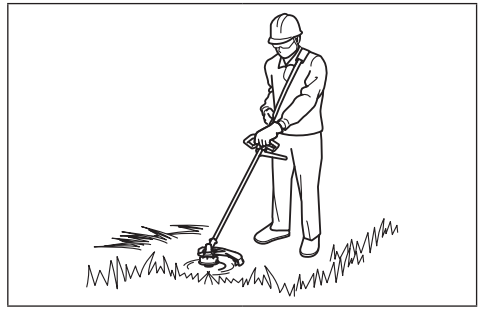
10



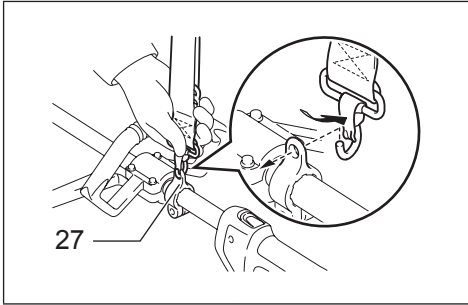
11



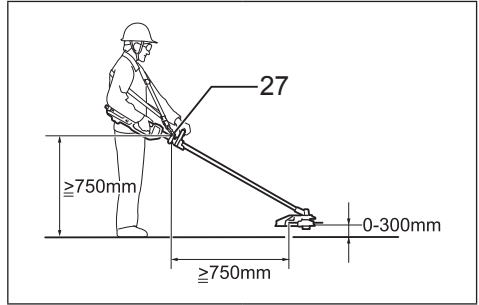
12



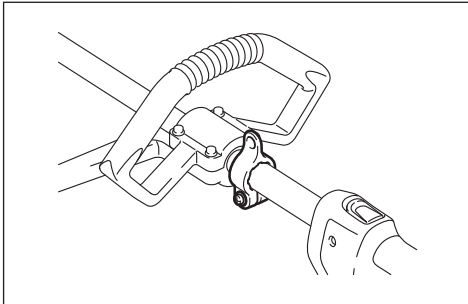
13



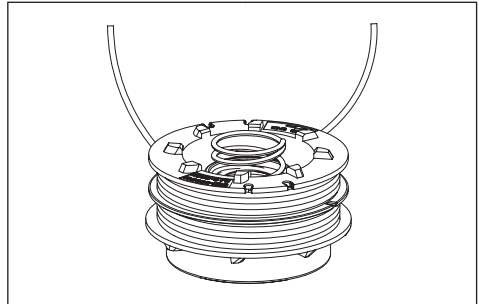
14



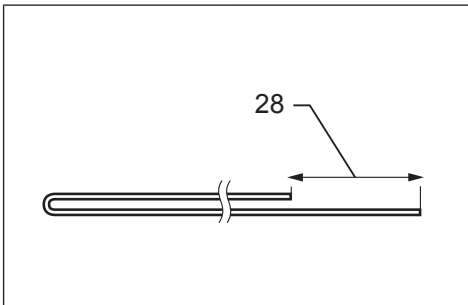
15



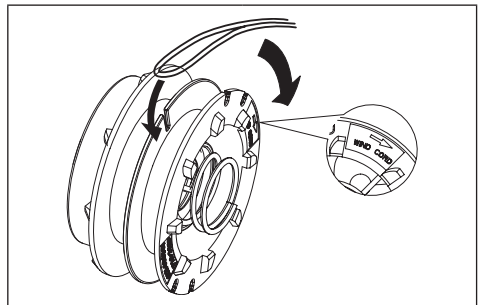
16



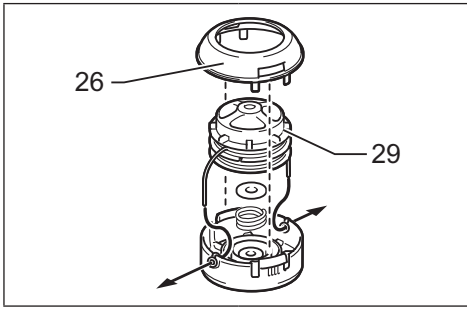
17



18



19



20

Explanation of general view

1 Cable holder	10 Cutting tool	21 Clamp washer
2 Power supply cord (the shape may differ from country to country)	11 Shoulder harness	22 Cup
3 Rear handle	12 Cushion	23 Nut
4 Lock-off lever	13 Most effective cutting area	24 Nylon cutting head
5 Switch trigger	14 Handle	25 Cord cutter
6 Front handle	15 Rubber part	26 Cover
7 Hanger (suspension point)	16 Inner protector	27 Hanger
8 Barrier	17 Outer protector	28 80 – 100 mm
9 Cutting tool guard (protector)	18 Receive washer	29 Spool
	19 Round bar	
	20 Blade	

SPECIFICATIONS

Model	UR2300	UR3502
Type of handle	Loop handle	
Overall length	1,630 mm	
Continuous rating input	1,000 W	
No load speed	5,700 min ⁻¹	5,700 min ⁻¹
Cutting tool	Cutter blade	Nylon cutting head
Cutting width	230 mm	350 mm
Net weight	4.7 kg	4.9 kg
Safety class	II/II	

- Due to our continuing program of research and development, the specifications herein are subject to change without notice.
- Specifications may differ from country to country.
- Weight according to EPTA-Procedure 01/2003

Noise	Sound pressure level average		Sound power level average		Applicable standard
	L _{PA} (dB(A))	Uncertainty K (dB(A))	L _{WA} (dB(A))	Uncertainty K (dB(A))	
Cutting tool	80.8	2.5	93.45	1.23	EN 60335-1, EN 50636-2-91, EN ISO 11806
Cutter blade	85.3	2.5	93.84	1.58	
Nylon cutting head					

- Wear ear protection.

Vibration	Front grip		Rear grip		Applicable standard
	a _h (m/s ²)	Uncertainty K (m/s ²)	a _h (m/s ²)	Uncertainty K (m/s ²)	
Cutting tool	2.856	1.5	2.712	1.5	EN 60335-1, EN 50636-2-91, EN ISO 11806
Cutter blade	2.768	1.5	2.694	1.5	
Nylon cutting head					

- The declared vibration emission value has been measured in accordance with the standard test method and may be used for comparing one tool with another.
- The declared vibration emission value may also be used in a preliminary assessment of exposure.
- Be sure to identify safety measures to protect the operator that are based on an estimation of exposure in the actual conditions of use (taking account of all parts of the operating cycle such as the times when the tool is switched off and when it is running idle in addition to the trigger time).

⚠ WARNING:

- The vibration emission during actual use of the power tool can differ from the declared emission value depending on the ways in which the tool is used.

Symbols

The following show the symbols used for the equipment. Be sure that you understand their meaning before use.



- Take particular care and attention.



- Read instruction manual.



- Danger; be aware of thrown objects.



- The distance between the tool and bystanders must be at least 15 m.



- Keep bystanders away.



- Wear a helmet, goggles and ear protection.



- Wear protective gloves.



- Wear sturdy boots with nonslip soles. Steeltoed safety boots are recommended.



- Do not expose to moisture.



- Disconnect the mains plug if the cord is damaged or entangled.



- Avoid kickback.



- Keep distance at least 15 m.



- DOUBLE INSULATION



- Only for EU countries
Do not dispose of electric equipment together with household waste material!

In observance of the European Directive, on Waste Electric and Electronic Equipment and its implementation in accordance with national law, electric equipment that have reached the end of their life must be collected separately and returned to an environmentally compatible recycling facility.

EC DECLARATION OF CONFORMITY

For European countries only

The EC declaration of conformity is included as Annex A to this instruction manual.

General Power Tool Safety Warnings

⚠ WARNING Read all safety warnings and all instructions. Failure to follow the warnings and instructions may result in electric shock, fire and/or serious injury.

Save all warnings and instructions for future reference.

The term "power tool" in the warnings refers to your mains-operated (corded) power tool or battery-operated (cordless) power tool.

Work area safety

1. **Keep work area clean and well lit.** Cluttered or dark areas invite accidents.
2. **Do not operate power tools in explosive atmospheres, such as in the presence of flammable liquids, gases or dust.** Power tools create sparks which may ignite the dust or fumes.
3. **Keep children and bystanders away while operating a power tool.** Distractions can cause you to lose control.

Electrical safety

4. **Power tool plugs must match the outlet. Never modify the plug in any way. Do not use any adapter plugs with earthed (grounded) power tools.** Unmodified plugs and matching outlets will reduce risk of electric shock.
5. **Avoid body contact with earthed or grounded surfaces such as pipes, radiators, ranges and refrigerators.** There is an increased risk of electric shock if your body is earthed or grounded.
6. **Do not expose power tools to rain or wet conditions.** Water entering a power tool will increase the risk of electric shock.
7. **Do not abuse the cord. Never use the cord for carrying, pulling or unplugging the power tool. Keep cord away from heat, oil, sharp edges or moving parts.** Damaged or entangled cords increase the risk of electric shock.
8. **When operating a power tool outdoors, use an extension cord suitable for outdoor use.** Use of a cord suitable for outdoor use reduces the risk of electric shock.
9. **If operating a power tool in a damp location is unavoidable, use a residual current device (RCD) protected supply.** Use of an RCD reduces the risk of electric shock.
10. **Use of power supply via a RCD with a rated residual current of 30 mA or less is always recommended.**

Personal safety

11. **Stay alert, watch what you are doing and use common sense when operating a power tool. Do not use a power tool while you are tired or under the influence of drugs, alcohol or medication.** A moment of inattention while operating power tools may result in serious personal injury.
12. **Use personal protective equipment. Always wear eye protection.** Protective equipment such as dust mask, non-skid safety shoes, hard hat, or hearing protection used for appropriate conditions will reduce personal injuries.

13. **Prevent unintentional starting. Ensure the switch is in the off-position before connecting to power source and/or battery pack, picking up or carrying the tool.** Carrying power tools with your finger on the switch or energising power tools that have the switch on invites accidents.
14. **Remove any adjusting key or wrench before turning the power tool on.** A wrench or a key left attached to a rotating part of the power tool may result in personal injury.
15. **Do not overreach. Keep proper footing and balance at all times.** This enables better control of the power tool in unexpected situations.
16. **Dress properly. Do not wear loose clothing or jewellery. Keep your hair, clothing, and gloves away from moving parts.** Loose clothes, jewellery or long hair can be caught in moving parts.
17. **If devices are provided for the connection of dust extraction and collection facilities, ensure these are connected and properly used.** Use of dust collection can reduce dust-related hazards.

Power tool use and care

18. **Do not force the power tool. Use the correct power tool for your application.** The correct power tool will do the job better and safer at the rate for which it was designed.
19. **Do not use the power tool if the switch does not turn it on and off.** Any power tool that cannot be controlled with the switch is dangerous and must be repaired.
20. **Disconnect the plug from the power source and/ or the battery pack from the power tool before making any adjustments, changing accessories, or storing power tools.** Such preventive safety measures reduce the risk of starting the power tool accidentally.
21. **Store idle power tools out of the reach of children and do not allow persons unfamiliar with the power tool or these instructions to operate the power tool.** Power tools are dangerous in the hands of untrained users.
22. **Maintain power tools. Check for misalignment or binding of moving parts, breakage of parts and any other condition that may affect the power tool's operation. If damaged, have the power tool repaired before use.** Many accidents are caused by poorly maintained power tools.
23. **Keep cutting tools sharp and clean.** Properly maintained cutting tools with sharp cutting edges are less likely to bind and are easier to control.
24. **Use the power tool, accessories and tool bits etc. in accordance with these instructions, taking into account the working conditions and the work to be performed.** Use of the power tool for operations different from those intended could result in a hazardous situation.

Service

25. **Have your power tool serviced by a qualified repair person using only identical replacement parts.** This will ensure that the safety of the power tool is maintained.
26. **Follow instruction for lubricating and changing accessories.**
27. **Keep handles dry, clean and free from oil and grease.**

IMPORTANT SAFETY INSTRUCTIONS

⚠ WARNING! Read all safety warnings and all instructions. Failure to follow the warnings and instructions may result in electric shock, fire and/or serious injury.

Save all warnings and instructions for future reference.

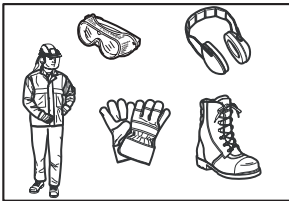
Intended use

1. The grass trimmer/ brushcutter/ string trimmer is only intended for cutting grass, weeds, bushes and undergrowth. It should not be used for any other purpose such as edging or hedge cutting as this may cause injury.

General instructions

1. Never allow people unfamiliar with these instructions, people (including children) with reduced physical, sensory or mental capabilities, or lack of experience and knowledge to use the tool. Children should be supervised to ensure that they do not play with the tool.
2. Before starting the tool, read this instruction manual to become familiar with the handling of the tool.
3. Do not lend the tool to a person with insufficient experience or knowledge regarding handling of brushcutters and string trimmers.
4. When lending the tool, always attach this instruction manual.
5. Handle the tool with the utmost care and attention.
6. Never use the tool after consuming alcohol or drugs, or if feeling tired or ill.
7. Never attempt to modify the tool.
8. Take care against injury from any device fitted for trimming the filament line length. After extending new cutter line always return the machine to its normal operating position before switching on.
9. Follow the regulations about handling of brushcutters and string trimmers in your country.

Personal protective equipment



1. Wear safety helmet, protective goggles and protective gloves to protect yourself from flying debris or falling objects.
2. Wear ear protection such as ear muffs to prevent hearing loss.
3. Wear proper clothing and shoes for safe operation, such as a work overall and sturdy, non-slip shoes. Do not wear loose clothing or jewelry. Loose clothes, jewelry or long hair can be caught in moving parts.
4. When touching the cutting blade, wear protective gloves. Cutting blades can cut bare hands severely.

Work area safety

1. Operate the tool under good visibility and daylight conditions only. Do not operate the tool in darkness or fog.
2. Do not operate the tool in explosive atmospheres, such as in the presence of flammable liquids, gases or dust. The tool creates sparks which may ignite the dust or fumes.
3. During operation, never stand on an unstable or slippery surface or a steep slope. During the cold season, beware of ice and snow and always ensure secure footing.
4. During operation, keep bystanders or animals at least 15 m away from the tool. Stop the tool as soon as someone approaches.
5. Before operation, examine the work area for stones or other solid objects. They can be thrown or cause dangerous kickback and result in serious injury and/ or property damage.
6. **⚠ WARNING:** Use of this product can create dust containing chemicals which may cause respiratory or other illnesses. Some examples of these chemicals are compounds found in pesticides, insecticides, fertilizers and herbicides. Your risk from these exposures varies, depending on how often you do this type of work. To reduce your exposure to these chemicals: work in a well ventilated area, and work with approved safety equipment, such as those dust masks that are specially designed to filter out microscopic particles.

Electrical safety

1. **Power tool plugs must match the outlet. Never modify the plug in any way. Do not use any adapter plugs with earthed (grounded) power tools.** Unmodified plugs and matching outlets will reduce risk of electric shock.
2. **Avoid body contact with earthed or grounded surfaces such as pipes, radiators, ranges and refrigerators.** There is an increased risk of electric shock if your body is earthed or grounded.
3. Do not expose the tool to rain or wet conditions. Water entering the tool will increase the risk of electric shock.
4. **Do not abuse the cord. Never use the cord for carrying, pulling or unplugging the power tool. Keep cord away from heat, oil, sharp edges or moving parts.** Damaged or entangled cords increase the risk of electric shock.
5. Do not use the tool if the switch does not turn it on and off. Any tool that cannot be controlled with the switch is dangerous and must be repaired.
6. **When operating a power tool outdoors, use an extension cord suitable for outdoor use.** Use of a cord suitable for outdoor use reduces the risk of electric shock.
7. **If operating a power tool in a damp location is unavoidable, use a residual current device (RCD) protected supply.** Use of an RCD reduces the risk of electric shock.
8. **Use of power supply via a RCD with a rated residual current of 30 mA or less is always recommended.**
9. Prevent unintentional starting. Ensure the switch is in the off-position before connecting to power source, picking up or carrying the tool. Carrying power tools with your finger on the switch or energising power tools that have the switch on invites accidents.

10. Before use, check the supply and extension cord for signs of damage or ageing.
11. If the cord becomes damaged during use, disconnect the cord from the supply immediately. **Do not touch the cord before disconnecting the supply.**
12. Do not use the tool if the cords are damaged or worn.
13. Keep extension cord away from cutting elements.

Putting into operation

1. Before assembling or adjusting the tool, disconnect the plug from the power source.
2. Before handling the cutter blade, wear protective gloves.
3. Before plugging in, inspect the tool for damages, loose screws/nuts or improper assembly. Sharpen blunt cutter blade. If the cutter blade is bent or damaged, replace it. Check all control levers and switches for easy action. Clean and dry the handles.
4. Never attempt to switch on the tool if it is damaged or not fully assembled. Otherwise serious injury may result.
5. Remove any adjusting key or wrench before turning the tool on. A wrench or a key left attached to a rotating part of the tool may result in personal injury.
6. Adjust the shoulder harness and hand grip to suit the operator's body size.
7. When plugging in, keep the cutting attachment clear of your body and other object, including the ground. It may rotate when starting and may cause injury or damage to the tool and/or property.

Operation

1. In the event of an emergency, switch off the tool immediately.
2. If you feel any unusual condition (e.g. noise, vibration) during operation, switch off the tool. Do not use the tool until the cause is recognized and solved.
3. Warning. The cutting attachment continues to rotate for a short period after turning the tool off. Don't rush to contact the cutting attachment.
4. During operation, use the shoulder harness. Keep the tool on your right side firmly.
5. Do not overreach. Keep proper footing and balance at all times. Watch for hidden obstacles such as tree stumps, roots and ditches to avoid stumbling.
6. Never work on a ladder or tree to avoid loss of control.
7. Before using the machine and after any heavy impact or fall, check the condition before continuing work. Check the controls and safety devices for malfunction. If there is any damage or doubt, ask our authorized service center for the inspection and repair.
8. Do not touch the gear case. The gear case becomes hot during operation.
9. Take a rest to prevent loss of control caused by fatigue. We recommend taking a 10 to 20-minute rest every hour.
10. When you leave the tool, even if it is a short time, always withdraw the mains plug. The unattended tool with the mains plugged in may be used by unauthorized person and cause serious accident.
11. If grass or branches get caught between the cutting attachment and guard, always turn the tool off and withdraw the mains plug before cleaning. Otherwise the cutting attachment may rotate unintentionally and cause serious injury.

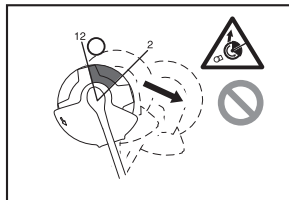
12. If the cutting attachment hits stones or other hard objects, immediately turn the tool off. Then withdraw the mains plug and inspect the cutting attachment.
13. Check the cutting attachment frequently during operation for cracks or damages. Before the inspection, withdraw the mains plug and wait until the cutting attachment stops completely. Replace damaged cutting attachment immediately, even if it has only superficial cracks.
14. Never cut above waist height.
15. Before starting the cutting operation, wait until the cutting attachment reaches a constant speed after turning the tool on.
16. When using metal blades, swing the tool evenly in half-circle from right to left, like using a scythe.
17. Hold the tool by insulated gripping surfaces only, because the cutter blade may contact hidden wiring. Cutter blades contacting a "live" wire may make exposed metal parts of the tool "live" and could give the operator an electric shock.
18. Always ensure that ventilation openings are kept clear of debris.

Cutting attachments

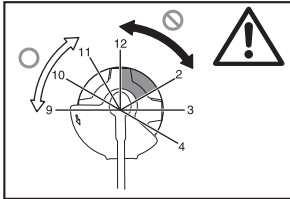
1. Use an applicable cutting attachment for the job in hand.
 - Nylon cutting heads (string trimmer heads) are suitable for trimming lawn grass.
 - Metal blades are suitable for cutting weeds, high grasses, bushes, shrubs, underwood, thickets, and the like.
 - Never use other blades including metal multi-piece pivoting chains and flail blades. It may result in serious injury.
2. Always use the cutting attachment guard properly suited for the cutting attachment used.
3. Never fit metal cutting elements with nylon cutting models.
4. When using metal blades, avoid "kickback" and always prepare for an accidental kickback. See the section "Kickback."

Kickback (Blade thrust)

1. Kickback (blade thrust) is a sudden reaction to a caught or bound cutting blade. Once it occurs, the tool is thrown sideways or toward the operator at great force and it may cause serious injury.
2. Kickback occurs particularly when applying the blade segment between 12 and 2 o'clock to solids, bushes and trees with 3 cm or larger diameter.



3. To avoid kickback:
 - Apply the segment between 8 and 11 o'clock.
 - Never apply the segment between 12 and 2 o'clock.
 - Never apply the segment between 11 and 12 o'clock and between 2 and 5 o'clock, unless the operator is well trained and experienced and does it at his/her own risk.
 - Never use cutting blades close to solids, such as fences, walls, tree trunks and stones.
 - Never use cutting blades vertically, for such operations as edging and trimming hedges.



Vibration

1. People with poor circulation who are exposed to excessive vibration may experience injury to blood vessels or the nervous system. Vibration may cause the following symptoms to occur in the fingers, hands or wrists: "Falling asleep" (numbness), tingling, pain, stabbing sensation, alteration of skin color or of the skin. If any of these symptoms occur, see a physician!
2. To reduce the risk of "white finger disease", keep your hands warm during operation and well maintain the tool and accessories.

Transport

1. Before transporting the tool, turn it off and withdraw the mains plug. Attach the cover to the cutting blade.
2. When transporting the tool, carry it in a horizontal position by holding the shaft.
3. When transporting the tool in a vehicle, properly secure it to avoid turnover. Otherwise damage to the tool and other baggage may result.

Maintenance

1. Have your tool serviced by our authorized service center, always using only genuine replacement parts. Incorrect repair and poor maintenance can shorten the life of the tool and increase the risk of accidents.
2. Before doing any maintenance or repair work or cleaning the tool, always turn it off and withdraw the mains plug.
3. Always wear protective gloves when handling the cutting blade.
4. Always clean dust and dirt off the tool. Never use gasoline, benzine, thinner, alcohol or the like for the purpose. Discoloration, deformation or cracks of the plastic components may result.
5. After each use, tighten all screws and nuts.
6. Do not attempt any maintenance or repair not described in the instruction manual. Ask our authorized service center for such work.
7. Always use our genuine spare parts and accessories only. Using parts or accessories supplied by a third party may result in the tool breakdown, property damage and/or serious injury.

8. Request our authorized service center to inspect and maintain the tool at regular interval.

Storage

1. Before storing the tool, perform full cleaning and maintenance. Withdraw the mains plug. Attach the cover to the cutting blade.
2. Store the tool in a dry and high or locked location out of reach of children.
3. Do not prop the tool against something, such as a wall. Otherwise it may fall suddenly and cause an injury.

First aid

1. Always have a first-aid kit close by. Immediately replace any item taken from the first aid kit.
2. When asking for help, give the following information:
 - Place of the accident
 - What happened
 - Number of injured persons
 - Nature of the injury
 - Your name

SAVE THESE INSTRUCTIONS.



WARNING:

DO NOT let comfort or familiarity with product (gained from repeated use) replace strict adherence to safety rules for the subject product. MISUSE or failure to follow the safety rules stated in this instruction manual may cause serious personal injury.

PARTS DESCRIPTION (Fig. 1)

FUNCTIONAL DESCRIPTION



WARNING:

• **Always be sure that the tool is switched off and unplugged before adjusting or checking the functions on the tool.** Failure to switch off and unplug may result in serious personal injury from accidental start-up.

Power switch action (Fig. 2)



WARNING:

• **Before plugging in, always check to see that the switch trigger actuates properly and returns to the "OFF" position when released. Do not pull the switch trigger hard without sliding the lock-off lever. This can cause switch breakage.** Operating a tool with a switch that does not actuate properly can lead to loss of control and serious personal injury.

To prevent the switch trigger from being accidentally pulled, a lock-off lever is provided.

To start the tool, slide the lock-off lever forward and then pull the switch trigger. Release the switch trigger to stop.

Nylon cutting head (Fig. 3)

NOTICE:

- Do not attempt to bump feed the head while the tool is operating at a high RPM. Bump feeding at a high RPM may cause damage to the nylon cutting head.
- The bump feed will not operate properly if the head is not rotating.

NOTE:

- Standard accessory varies depending on the model and country.

The nylon cutting head is a dual grass trimmer head provided with a bump & feed mechanism.

To feed out the nylon cord, bump the cutting head against the ground while the cutting head is rotating.

NOTE:

- If the nylon cord does not feed out while bumping the head, rewind/replace the nylon cord by following the procedures described under "Maintenance."

Cable holder (Fig. 4)

Make a small loop of power cable, and hang it onto the cable holder.

ASSEMBLY

⚠ WARNING:

- **Always be sure that the tool is switched off and unplugged before carrying out any work on the tool.** Failure to switch off and unplug may result in serious personal injury from accidental start-up.
- **Never start the tool unless it is completely assembled.** Operation of the tool in a partially assembled state may result in serious personal injury from accidental start-up.

Installing the handle (Fig. 5)

⚠ WARNING:

- Do not remove or shrink the spacer or cushion. The spacer keeps a certain distance between both hands. Setting the grip/barrier assembly close to the other grip beyond the length of the spacer may cause loss of control and serious personal injury.

Fit the handle and the barrier onto the rubber part on the shaft pipe. Adjust the location of the handle, and then tighten them with four bolts.

Approved combination of cutting tool and protector

⚠ WARNING:

- **Always use the tool with the approved combination of the safety equipments.** Otherwise contact with a cutting tool may cause serious injury.
- **Never use the tool without the guard illustrated in place.** Failure to do so can cause serious personal injury.

NOTE:

- Standard accessory varies depending on the model and country.

For cutter blade (Fig. 6)

For nylon cutting head (Fig. 7)

Installing the protector for cutter blade (Fig. 8)

1. Align the holes on the inner protector and the holes of the gear case.
2. Then tighten them with three bolts.

Installing the protector for nylon head

⚠ CAUTION:

- Take care not to injure yourself on the cutter for cutting the nylon cord.
 - Do not forget to remove the cutter protector before using.
1. Align the four bolts on the outer protector along the holes on the inner protector. (Fig. 9)
 2. Tighten them with the four bolts.
 3. Align the holes on the inner protector and the holes of the gear case.
 4. Tighten them with bolts. (Fig. 10)

Installing the cutter blade

⚠ WARNING:

- **The outside diameter of the cutter blade must be 230 mm.** Never use any blade exceeding 230 mm in outside diameter.

⚠ CAUTION:

- The cutter blade must be well polished, free of cracks or breakage. Polish or replace the cutter blade every three hours of operation.
- Always wear gloves when handling the cutter blade.
- Always attach the blade cover when the tool is not in use or is being transported.
- The cutter blade-fastening nut wears out in course of time. If there appears any wear or deformation on, replace the nut. Ask your local authorized service center to order it.

NOTICE:

- Be sure to use genuine cutter blade.

Turn the tool upside down so that you can replace the cutter blade easily. (Fig. 11)

1. Fit the receive washer on the axis.
2. Turn the receive washer until the notch on the receive washer comes on the notch of the gear case.
3. Insert the round bar through both notches so that receive washer can not be turned.
4. Put the blade on the receive washer.
5. Put the clamp washer on the blade.
6. Put the cup on the blade.
7. Tighten them with the nut by turning it counterclockwise while holding the round bar.

To remove the blade, perform the above steps in reverse.

Installing nylon cutting head (Fig. 12)

NOTICE:

- Be sure to use genuine nylon cutting head.

Turn the tool upside down so that you can replace the nylon cutting head easily.

NOTE:

- Remove the cover on the cord cutter before use.
1. Fit the receive washer on the axis.
 2. Turn the receive washer until the notch on the receive washer comes on the notch of the gear case.
 3. Insert the round bar through both notches so that receive washer can not be turned.
 4. Fit the nylon cutting head by turning it counterclockwise.
 5. Remove the round bar after installing the nylon cutting head.

To remove the nylon head, perform the above steps in reverse.

OPERATION

Correct handling of tool (Fig. 13)

Correct posture

WARNING:

- **Always position the tool on your right-hand side so that the barrier is always in front of your body.** Correct positioning of the tool allows for maximum control and will reduce the risk of serious personal injury caused by kickback.

CAUTION:

- **If during operation the cutting tool accidentally impacts a rock or hard object, stop the tool and inspect for any damage. If the cutting tool is damaged, replace it immediately.** Use of a damaged cutting tool could result in serious personal injury.

Put the shoulder harness on your left shoulder by putting your head and right arm through it and keep the tool on your right side while always keeping the barrier in front of your body.

Attachment of shoulder harness (Fig. 14)

Adjust the harness length so that the cutting tool is kept parallel with the ground.

Connect the hanger and the harness.

WARNING:

- **Be extremely careful to maintain control of the tool at all times. Do not allow the tool to be deflected toward you or anyone in the work vicinity.** Failure to keep control of the tool could result in serious injury to the bystander and the operator.

Adjustment of the hanger position and shoulder harness (Fig. 15)

Adjust the hanger position as illustrated. (Fig. 16)

To change the hanger position, loosen the bolt on the hanger. Then move the hanger.

After adjusting the hanger position, tighten the bolt with the wrench securely.

MAINTENANCE

WARNING:

- **Always be sure that the tool is switched off and unplugged before attempting to perform inspection or maintenance on the tool.** Failure to switch off and unplug may result in serious personal injury from accidental start-up.

NOTICE:

- Never use gasoline, benzene, thinner, alcohol or the like. Discoloration, deformation or cracks may result.

Replacing the nylon cord (Fig. 17)

WARNING:

- **Make sure that the nylon cutting head is secured to the tool properly before operation.** Failure to properly secure the nylon cutting head may cause it to fly apart resulting in serious personal injury.

1. Remove the nylon cutting head.
2. Take off the cover, pressing two latches which are slotted section oppositely on side of the cup.
3. Remove the spool. And remove the old nylon cord from the spool.
4. Cut a nylon line in 3 – 6 m. Fold the cutting line in two halves, leave one of half longer 80 – 100 mm than another. (Fig. 18)
5. Hook the middle of the new nylon cord to the notch located at the center of the spool between the two channels provided for the nylon cord. (Fig. 19)
6. Wind both ends firmly along the channels in the direction indicated by arrow mark on the spool. (Fig. 20)
7. Put the nylon cords through the eyelets to come out of the cup.
8. Align the protrusion on the underside of the cover with the slots of the eyelets. Then push the cover firmly onto the cup to secure it. Make sure the latches fully spread in the cover.

To maintain product SAFETY and RELIABILITY, repairs, any other maintenance or adjustment should be performed by Makita Authorized Service Centers, always using Makita replacement parts.

MAINTENANCE INTERVAL

Parts:	Interval:	How to:
Power cord	Every time before using	Visually inspect whether it is not badly worn or damaged. If it is damaged, ask your local service center for repair.
Auxiliary handle screw	Every time before using	Check whether screw is not loose. Tighten the screw if it is loose. Replace the screw if it is damaged.
Cutting tool guard (protector)	Every time before using	Check whether screw is not loose, whether protector is not damaged. Tighten the screw if it is loose. Replace the protector if it is damaged.
Cutter blade	Every 10 h	Lubricate with anticorrosive oil after each use. Check whether it is not damaged. Replace it if it is damaged.
Nylon cutting head	Every 10 h	Visually inspect whether it is not badly worn or damaged. Replace it if it is damaged.
Gear shaft	Every 10 h	Lubricate with anticorrosive oil.

TROUBLESHOOTING

Before asking for repairs, conduct your own inspection first. If you find a problem that is not explained in the manual, do not attempt to dismantle the tool. Instead, ask Makita Authorized Service Centers, always using Makita replacement parts for repairs.

Malfunction status	Cause	Action
Motor does not run.	Power mains is not plugged in.	Plug in the mains.
	Power cable broken.	Ask your local authorized service center for repair.
	The drive system does not work correctly.	
Motor stops running after a little use.	Overheating.	Stop using of tool to allow it to cool down.
It does not reach maximum RPM.	The drive system does not work correctly.	Ask your local authorized service center for repair.
Cutting tool does not rotate: stop the machine immediately!	Foreign object such as a branch is jammed between the guard and the cutting tool.	Remove the foreign object.
	Cutter blade fastening nut is loose.	Tighten the nut properly as described in this manual.
	The cutter blade is bended.	Replace the cutter blade.
	The drive system does not work correctly.	Ask your local authorized service center for repair.
Abnormal vibration: stop the machine immediately!	One end of the nylon cord has been broken.	Bump the nylon cutting head against the ground while it is rotating to cause the cord to feed.
	The cutter blade is bended, cracked or worn.	Replace the cutter blade.
	Cutter blade fastening nut is loose.	Tighten the nut properly as described in this manual.
	Cutter blade is fastened improperly.	
The drive system does not work correctly.	Ask your local authorized service center for repair.	
Cutting tool and motor cannot stop: Disconnect the mains plug immediately!	Electric or electronic malfunction.	Disconnect the mains plug and ask your local authorized service center for repair.

OPTIONAL ACCESSORIES

CAUTION:

- These accessories or attachments are recommended for use with your Makita tool specified in this manual. The use of any other accessories or attachments might present a risk of injury to persons. Only use accessory or attachment for its stated purpose.

If you need any assistance for more details regarding these accessories, ask your local Makita Service Center.

- Cutter blade
- Nylon cutting head
- Nylon cord (cutting line)
- Shoulder harness

NOTE:

- Some items in the list may be included in the tool package as standard accessories. They may differ from country to country.

Descriptif

1 Support de câble	11 Harnais	21 Rondelle de serrage
2 Cordon d'alimentation (la forme peut varier d'un pays à l'autre)	12 Amortisseur	22 Coupelle
3 Poignée arrière	13 Zone de coupe la plus efficace	23 Écrou
4 Bouton de sécurité	14 Poignée	24 Tête de coupe à fil nylon
5 Gâchette	15 Partie recouverte de caoutchouc	25 Coupe-fil
6 Poignée avant	16 Déflecteur intérieur	26 Cache de protection
7 Anneau de suspension	17 Déflecteur extérieur	27 Anneau de suspension
8 Protection	18 Rondelle d'appui	28 80 – 100 mm
9 Déflecteur de l'outil de coupe	19 Tige ronde	29 Bobine
10 Outil de coupe	20 Lame	

SPÉCIFICATIONS

Modèle	UR2300	UR3502
Type de poignée	Poignée circulaire	
Longueur totale	1 630 mm	
Puissance en régime continu	1 000 W	
Vitesse à vide	5 700 min ⁻¹	5 700 min ⁻¹
Outil de coupe	Lame de coupe	Tête de coupe à fil nylon
Largeur de coupe	230 mm	350 mm
Poids net	4,7 kg	4,9 kg
Catégorie de sécurité	II/II	

- Étant donné l'évolution constante de notre programme de recherche et développement, les spécifications contenues dans ce manuel sont modifiables sans préavis.
- Les spécifications peuvent varier suivant les pays.
- Poids selon la procédure EPTA 01/2003

Niveau sonore	Niveau de pression acoustique moyen		Niveau de puissance acoustique moyen		Norme applicable
	L _{PA} (dB (A))	Incertitude K (dB (A))	L _{WA} (dB (A))	Incertitude K (dB (A))	
Outil de coupe					
Lame de coupe	80,8	2,5	93,45	1,23	EN 60335-1, EN 50636-2-91, EN ISO 11806
Tête de coupe à fil nylon	85,3	2,5	93,84	1,58	

- Portez des protecteurs d'oreilles.

Vibrations	Poignée avant		Poignée arrière		Norme applicable
	a _h (m/s ²)	Incertitude K (m/s ²)	a _h (m/s ²)	Incertitude K (m/s ²)	
Outil de coupe					
Lame de coupe	2,856	1,5	2,712	1,5	EN 60335-1, EN 50636-2-91, EN ISO 11806
Tête de coupe à fil nylon	2,768	1,5	2,694	1,5	

- La valeur d'émission de vibration déclarée a été mesurée conformément à la méthode d'essai normalisée et peut être utilisée pour comparer différents outils.
- La valeur d'émission de vibration déclarée peut aussi être utilisée pour réaliser une évaluation préliminaire de l'exposition.
- Assurez-vous que les mesures de sécurité visant à protéger l'opérateur sont basées sur une estimation de l'exposition dans les conditions normales d'utilisation, (en tenant compte de toutes les phases du cycle de fonctionnement, y compris les périodes d'arrêt et de fonctionnement à vide).

⚠ AVERTISSEMENT :

- L'émission de vibration pendant l'utilisation réelle de l'outil électrique peut différer de la valeur d'émission déclarée en fonction de la façon dont l'outil est utilisé.

Symboles

Les symboles suivants vous signalent des informations importantes relatives à l'équipement. Assurez-vous que vous comprenez leur signification avant utilisation.



- Soyez vigilant.



- Lisez le manuel d'instruction.



- Danger, risque de projection d'objets.



- Distance minimum entre l'outil et les personnes présentes 15 m.



- Éloignez les personnes présentes.



- Portez un casque, des lunettes de sécurité et des protecteurs d'oreilles.



- Portez des gants de protection.



- Portez des chaussures solides à semelles antidérapantes. Le port de chaussures de sécurité à embout en acier est recommandé.



- N'exposez pas l'outil à l'humidité.



- Débranchez la prise de l'alimentation si le cordon est endommagé ou emmêlé.



- Évitez les chocs en retour.



- Restez à une distance de 15 m minimum.



- DOUBLE ISOLATION



- Pour l'UE uniquement
Ne jetez pas les équipements électriques dans les ordures ménagères !
Conformément à la directive européenne relative aux déchets d'équipements électriques et électroniques (DEEE) et à sa transposition dans la législation nationale, les équipements électriques qui ont atteint la fin de leur durée de service doivent être collectés à part et être soumis à un recyclage respectueux de l'environnement.

DÉCLARATION DE CONFORMITÉ CE

Pour les pays d'Europe uniquement

La déclaration de conformité CE est fournie en Annexe A à ce mode d'emploi.

Consignes de sécurité générales des outils électriques

⚠ AVERTISSEMENT Veuillez lire toutes les consignes de sécurité et les instructions. Il y a un risque de choc électrique, d'incendie et/ ou de blessure grave si les consignes et les instructions ne sont pas toutes respectées.

Conservez toutes les consignes et instructions pour référence ultérieure.

Le terme « outil électrique », dans toutes les mises en garde ci-dessous, désigne un outil électrique alimenté sur le secteur (avec un cordon d'alimentation) ou par pile (sans cordon d'alimentation).

Sécurité de l'aire de travail

1. **Maintenez l'aire de travail propre et bien éclairée.**
Des zones sombres ou encombrées peuvent entraîner des accidents.
2. **N'utilisez pas les outils électriques dans les atmosphères explosives, par exemple en présence de liquides, gaz ou poussières inflammables.** Les outils électriques produisent des étincelles au contact desquelles la poussière ou les vapeurs peuvent s'enflammer.
3. **Assurez-vous qu'aucun enfant ou passant ne s'approche pendant que vous utilisez un outil électrique.** Il y a un risque de perte de maîtrise de l'outil si votre attention est détournée.

Sécurité en matière d'électricité

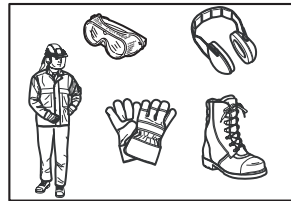
4. **La fiche des outils électriques doit être conçue pour la prise de courant utilisée. Ne modifiez jamais la fiche de quelque façon que ce soit. N'utilisez aucun adaptateur de fiche sur les outils électriques avec mise à la terre.** L'utilisation de fiches non modifiées avec les prises de courant pour lesquelles elles ont été prévues réduira les risques de choc électrique.
5. **Évitez tout contact corporel avec les surfaces mises à la terre, telles que tuyaux, radiateurs, cuisinières et réfrigérateurs.** Le risque de choc électrique augmente si votre corps est mis à la terre.
6. **N'exposez pas les outils électriques à la pluie ou à des conditions d'humidité.** Le risque de choc électrique augmente lorsque de l'eau pénètre dans un outil électrique.
7. **Ne maltraitez pas le cordon. N'utilisez jamais le cordon pour transporter un outil électrique, pour tirer dessus ou pour le débrancher. Maintenez le cordon à l'écart de la chaleur, de l'huile, des objets à bords tranchants et des pièces en mouvement.** Le risque de choc électrique augmente lorsque les cordons sont endommagés ou enchevêtrés.
8. **Lorsque vous utilisez un outil électrique à l'extérieur, utilisez un cordon prolongateur conçu à cette fin.** Le risque de choc électrique diminue lorsqu'un cordon conçu pour l'extérieur est utilisé.
9. **Si l'utilisation d'un outil électrique dans un endroit humide est inévitable, utilisez une alimentation protégée par un dispositif pour courant résiduel (DCR).** L'utilisation d'un DCR réduit le risque d'électrocution.
10. **Il est recommandé d'utiliser une alimentation via un DCR dont le courant résiduel nominal est de 30 mA au maximum.**

Sécurité personnelle

11. **Restez alerte, attentif à vos gestes, et faites preuve de bon sens lorsque vous utilisez un outil électrique. Évitez d'utiliser un outil électrique lorsque vous êtes fatigué, avez consommé de l'alcool ou pris un médicament.** Tout moment d'inattention pendant l'utilisation d'un outil électrique comporte un risque de blessure grave.
 12. **Utilisez l'équipement de protection personnel. Portez toujours des protections oculaires.** L'équipement de protection tels que les masques antipoussières, les chaussures à semelles antidérapantes, les casques durs ou les protections utilisés dans des conditions appropriées réduiront les blessures personnelles.
 13. **Prévenez tout démarrage accidentel. Assurez-vous que l'interrupteur se trouve en position d'arrêt avant de brancher à la source d'alimentation et/ou au blocbatterie, de ramasser ou de porter l'outil.** Vous ouvrez la porte aux accidents si vous transportez les outils électriques avec votre doigt sur la gâchette ou si vous les branchez tandis que l'interrupteur est en position de marche.
 14. **Retirez toute clé de réglage ou autre clé avant de mettre l'outil sous tension.** Toute clé laissée en place sur une pièce rotative de l'outil électrique peut causer une blessure.
 15. **Maintenez une bonne position. Assurez-vous d'une bonne prise au sol et d'une bonne position d'équilibre en tout temps.** Cela vous permettra d'avoir une meilleure maîtrise de l'outil dans les situations imprévues.
 16. **Portez des vêtements adéquats. Évitez de porter des vêtements amples et des bijoux. Assurez-vous que vos cheveux, vêtements et gants demeurent à l'écart des pièces en mouvement.** Les vêtements amples, bijoux et cheveux longs peuvent être happés par les pièces en mouvement.
 17. **Si des accessoires sont fournis pour le raccordement d'un appareil d'aspiration et de collecte de la poussière, assurez-vous de les raccorder et utiliser correctement.** L'utilisation d'un appareil de collecte des poussières peut réduire les dangers causés par la poussière.
- #### Utilisation et entretien des outils électriques
18. **Ne forcez pas l'outil électrique. Utilisez l'outil électrique qui convient au travail à effectuer.** Si vous utilisez le bon outil électrique et respectez le régime pour lequel il a été conçu, il effectuera un travail de meilleure qualité, et ce de façon plus sûre.
 19. **N'utilisez pas l'outil électrique si sa gâchette ne peut pas être activée et désactivée.** Tout outil électrique dont l'interrupteur ne fonctionne pas est dangereux et doit être réparé.
 20. **Débranchez la fiche de la source d'alimentation et/ou retirez le bloc-pile de l'outil électrique avant d'effectuer tout réglage, de changer un accessoire ou de ranger l'outil électrique.** De telles mesures préventives réduisent les risques de démarrage accidentel de l'outil électrique.

21. **Une fois terminée l'utilisation d'un outil électrique, rangez-le dans un endroit hors de portée des enfants, et ne laissez aucune personne l'utiliser si elle n'est pas familiarisée avec l'outil électrique ou n'a pas pris connaissance des présentes instructions.** Les outils électriques représentent un danger entre les mains de personnes qui n'en connaissent pas le mode d'utilisation.
22. **Entretien des outils électriques. Vérifiez que les pièces mobiles ne sont pas désalignées ou coincées, qu'aucune pièce n'est cassée ou toute autre condition qui pourrait affecter le bon fonctionnement de l'outil électrique. S'il est endommagé, faites réparer l'outil électrique avant de l'utiliser.** De nombreux accidents sont causés par des outils électriques mal entretenus.
23. **Maintenez les outils tranchants bien aiguisés et propres.** Un outil tranchant dont l'entretien est effectué correctement et dont les bords sont bien aiguisés risque moins de se coincer et est plus facile à maîtriser.
24. **Utilisez l'outil électrique, ses accessoires, ses embouts, etc., en respectant les présentes instructions et en tenant compte des conditions de travail ainsi que du type de travail à effectuer.** L'utilisation d'un outil électrique à des fins autres que celles prévues comporte un risque de situation dangereuse.
2. Avant de démarrer l'outil, lisez le manuel d'instruction pour vous familiariser avec la manipulation de l'outil.
3. Ne prêtez pas l'outil à une personne manquant d'expérience et de connaissances relatives à la manipulation des débroussailleuses et coupe-herbes.
4. Lorsque vous prêtez l'outil, joignez toujours le présent manuel d'instruction.
5. Manipulez toujours l'outil avec prudence.
6. N'utilisez jamais l'outil lorsque vous êtes malade, fatigué ou sous l'influence d'alcool ou de médicaments.
7. N'essayez jamais de modifier l'outil.
8. Veillez à ne pas vous blesser avec le coupe-fil (mise à la bonne longueur du fil de coupe). Après allongement du fil de coupe, remettez toujours l'outil en position de fonctionnement normal avant de le mettre en marche.
9. Respectez la réglementation relative à la manipulation des débroussailleuses et coupe-herbes en vigueur dans votre pays.

Équipement de protection personnelle



Service

25. **Faites réparer votre outil électrique par un réparateur qualifié qui utilise des pièces de rechange identiques aux pièces d'origine.** Cela permettra d'assurer le maintien de la sûreté de l'outil électrique.
26. **Suivez les instructions pour graisser l'outil et changer les accessoires.**
27. **Maintenez les poignées sèches, propres et exemptes d'huile ou de graisse.**

IMPORTANTES CONSIGNES DE SÉCURITÉ

⚠ AVERTISSEMENT ! Veuillez lire toutes les consignes de sécurité et instructions. Le non-respect des mises en garde et des instructions peut entraîner un choc électrique, un incendie et/ou des blessures graves.

Conservez toutes les mises en garde et instructions pour référence ultérieure.

Utilisation prévue

1. Le coupe-herbe/débroussailleuse est prévu uniquement pour couper l'herbe, les mauvaises herbes, les buissons et les broussailles. Il ne doit pas être utilisé à d'autres fins, par exemple l'entretien de bordures ou le taillage de haies, sous peine de blessure.

Généralités

1. Ne laissez jamais des personnes (notamment des enfants) présentant des capacités physiques, sensorielles ou mentales réduites, des personnes dénuées d'expérience et de connaissances ou des personnes non familiarisées avec les présentes instructions utiliser l'outil. Les enfants doivent être surveillés pour s'assurer qu'ils ne jouent pas avec l'outil.

1. Portez un casque, des lunettes de sécurité et des gants pour vous protéger de la projection de débris et des chutes d'objets.
2. Portez un dispositif de protection (protecteurs d'oreilles) afin de réduire les risques de perte d'audition.
3. Portez des vêtements (bleu de travail) et des chaussures appropriés (chaussures solides à semelles antidérapantes) pour un fonctionnement en toute sécurité. Ne portez pas de vêtements amples ni de bijoux. Les pièces en mouvement peuvent happer les vêtements amples, les bijoux et les cheveux longs.
4. Portez des gants de protection lorsque vous manipulez la lame de coupe. La manipulation des lames de coupe à mains nues présente des risques de coupure grave.

Sécurité de la zone de travail

1. Utilisez l'outil uniquement dans des endroits bien éclairés, où la visibilité est bonne. N'utilisez pas l'outil dans l'obscurité ou le brouillard.
2. N'utilisez pas l'outil dans des atmosphères explosives, par exemple en présence de liquides, gaz ou poussières inflammables. L'outil produit des étincelles qui peuvent enflammer les poussières ou émanations.
3. N'utilisez jamais l'outil sur une surface glissante ou instable ou sur une pente abrupte. Pendant la saison froide, faites attention au verglas et à la neige, et conservez toujours un bon appui au sol.
4. Pendant l'utilisation, veillez à ce que les personnes et les animaux restent à une distance minimum de 15 m de l'outil. Arrêtez l'outil dès que quelqu'un s'approche.

5. Avant de commencer à travailler, assurez-vous que la zone de travail est exempte de pierres ou autres objets durs. Ils risquent d'être projetés ou de causer un choc en retour, ce qui peut entraîner des blessures graves ou des dommages matériels.
6. **⚠ AVERTISSEMENT** : L'utilisation de ce produit peut générer des poussières contenant des produits chimiques pouvant des maladies respiratoires ou autres affections. Ces produits chimiques peuvent être par exemple des composés présents dans les pesticides, insecticides, engrais et herbicides. Le risque présenté par l'exposition à ces composés varie en fonction de la fréquence de ce type de travail. Pour réduire votre exposition à ces produits chimiques, travaillez dans une zone bien aérée et portez des protections agréées, par exemple un masque anti-poussière spécialement conçu pour filtrer les microparticules.
10. Avant toute utilisation, inspectez le cordon d'alimentation et la rallonge pour vérifier qu'ils ne présentent aucun signe de détérioration ou de vieillissement.
11. Si le cordon d'alimentation est endommagé en cours d'utilisation, débranchez-le immédiatement de l'alimentation. **Ne touchez pas le cordon avant de l'avoir débranché de l'alimentation.**
12. N'utilisez pas l'outil si les cordons sont endommagés ou usés.
13. Tenez la rallonge à l'écart des éléments de coupe.

Mise en service

1. Avant de monter ou de régler l'outil, débranchez la fiche de la source d'alimentation.
2. Portez des gants de protection lorsque vous manipulez la lame de coupe.
3. Avant de brancher l'outil, vérifiez qu'il n'est pas endommagé, que les vis/écrous sont serrés et que le montage est correct. Affûtez les lames de coupe émoussées. Si la lame de coupe est tordue ou endommagée, remplacez-la. Vérifiez le bon fonctionnement de tous les boutons et interrupteurs de commande. Nettoyez et séchez les poignées.
4. N'essayez jamais de démarrer l'outil si celui-ci est endommagé ou partiellement monté. Le non-respect de cette consigne peut entraîner des blessures graves.
5. Avant de mettre l'outil sous tension, retirez toute clé ou clé de réglage. Une clé de réglage ou une clé laissée sur une pièce en rotation de l'outil peut entraîner une blessure.
6. Ajustez le harnais et la poignée en fonction de la taille de l'utilisateur.
7. Lorsque vous branchez l'outil, éloignez l'outil de coupe de votre corps et de tout objet, y compris le sol. L'outil de coupe risque de tourner lors du démarrage, ce qui peut entraîner des blessures, une détérioration de l'outil ou des dommages matériels.

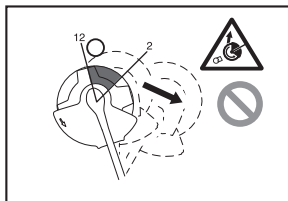
Sécurité électrique

1. **Le type de fiche de l'outil électrique doit correspondre à celui de la prise de courant. Ne modifiez jamais la fiche, de quelque façon que ce soit. N'utilisez pas de fiche d'adaptation avec les outils électriques mis à la terre (masse).** L'utilisation de fiches non modifiées et de prises du type correspondant réduit les risques de choc électrique.
2. **Évitez tout contact avec les surfaces mises à la terre ou à la masse, telles que tuyaux, radiateurs, cuisinières et réfrigérateurs.** Les risques de choc électrique augmentent si votre corps se trouve mis à la terre ou à la masse.
3. Évitez d'exposer l'outil à la pluie ou à l'humidité. La pénétration d'eau dans l'outil augmente les risques de choc électrique.
4. **Ne maltraitez pas le cordon. Ne transportez jamais l'outil électrique par le cordon, et ne tirez pas sur le cordon pour déplacer l'outil ou débrancher la fiche. Tenez le cordon à l'écart des sources de chaleur, de l'huile, des objets tranchants et des pièces en mouvement.** Les cordons endommagés ou emmêlés augmentent les risques de choc électrique.
5. N'utilisez pas l'outil si son interrupteur est défectueux. Tout outil qui ne peut pas être mis en marche et arrêté à l'aide de l'interrupteur est dangereux et doit être réparé.
6. **Lorsque vous utilisez un outil électrique à l'extérieur, utilisez une rallonge conçue pour l'extérieur.** L'utilisation d'une rallonge conçue pour l'extérieur réduit les risques de choc électrique.
7. **Si l'utilisation d'un outil électrique dans un emplacement humide est inévitable, utilisez une source d'alimentation protégée par un disjoncteur différentiel.** L'utilisation d'un disjoncteur différentiel réduit les risques de choc électrique.
8. **Nous vous recommandons d'utiliser une alimentation protégée par un disjoncteur différentiel dont le courant de déclenchement est inférieur ou égal à 30 mA.**
9. Prévenez les démarrages accidentels. Assurez-vous que l'interrupteur est en position d'arrêt avant de brancher l'outil, et avant de saisir ou de transporter l'outil. Vous ouvrez la porte aux accidents si vous transportez un outil électrique avec le doigt sur l'interrupteur ou si vous le mettez sous tension alors que l'interrupteur est en position de marche.

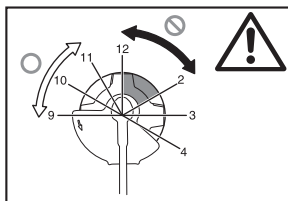
Fonctionnement

1. En cas d'urgence, arrêtez immédiatement l'outil.
2. En cas de fonctionnement anormal (bruit, vibrations), arrêtez l'outil. N'utilisez pas l'outil avant d'avoir identifié et résolu le problème.
3. Avertissement. L'outil de coupe continue à tourner pendant une courte durée après mise hors tension de l'outil. Attendez avant de toucher l'outil de coupe.
4. Utilisez l'outil avec le harnais. Maintenez fermement l'outil à votre droite.
5. Ne vous penchez pas trop en avant. Conservez un bon appui et gardez votre équilibre en permanence. Faites attention à ne pas trébucher sur les obstacles cachés (souches et racines, fossés).
6. N'utilisez jamais l'outil sur une échelle ou dans un arbre. Vous risquez d'en perdre le contrôle.
7. Vérifiez l'état de l'outil avant de l'utiliser. Si l'outil subit un choc important ou tombe, vérifiez son état avant de continuer à travailler. Vérifiez le bon fonctionnement des commandes et des dispositifs de sécurité. En cas de détérioration ou de doute, demandez à un centre technique agréé de réaliser l'inspection et les réparations.
8. Ne touchez pas le carter d'engrenage. Le carter d'engrenage devient chaud pendant l'utilisation.
9. Faites des pauses afin d'éviter toute perte de contrôle due à la fatigue. Nous vous recommandons une pause de 10 à 20 minutes toutes les heures.

10. Débranchez l'outil de l'alimentation réseau lorsque vous ne l'utilisez plus, même pour une courte période. Un outil branché laissé sans surveillance peut être utilisé par une personne non autorisée, ce qui risque de provoquer un accident grave.
 11. Si de l'herbe ou des branches sont coincées entre l'outil de coupe et le déflecteur, arrêtez l'outil et débranchez-le avant de procéder au nettoyage. Sinon, l'outil de coupe risque de tourner accidentellement, et de causer des blessures graves.
 12. Si l'outil de coupe heurte des pierres ou d'autres objets durs, arrêtez immédiatement l'outil. Débranchez ensuite l'outil et inspectez l'outil de coupe.
 13. Inspectez régulièrement l'outil de coupe pendant l'utilisation pour vérifier l'absence de fissure ou de détérioration. Avant de procéder à l'inspection, débranchez l'outil et attendez l'arrêt complet de l'outil de coupe. Remplacez immédiatement un outil de coupe endommagé, même si les fissures ne sont que superficielles.
 14. Ne coupez jamais au-dessus de la hauteur de votre taille.
 15. Mettez l'outil en marche et attendez que l'outil de coupe ait atteint sa pleine vitesse avant de commencer à couper.
 16. Lorsque vous utilisez des lames métalliques, faites décrire un demi-cercle à l'outil, de droite à gauche, comme avec une faux.
 17. Saisissez l'outil uniquement par ses surfaces de prise isolées, car la lame de coupe peut entrer en contact avec des fils cachés. Le contact de la lame de coupe avec un fil sous tension peut mettre sous tension les parties métalliques exposées de l'outil, causant ainsi un choc électrique chez l'utilisateur.
 18. Assurez-vous toujours que les orifices de ventilation sont exempts de débris.
2. Les chocs en retour se produisent généralement lorsque la partie de la lame comprise entre 12 h et 2 h entre en contact avec des solides, des buissons et des arbres de diamètre égal ou supérieur à 3 cm.



3. Pour éviter les chocs en retour :
 - Utilisez la partie de la lame comprise entre 8 h et 11 h.
 - N'utilisez jamais la partie de la lame comprise entre 12 h et 2 h.
 - N'utilisez jamais la partie de la lame comprise entre 11 h et 12 h d'une part et 2 h et 5 h d'autre part, sauf si vous êtes un utilisateur formé et expérimenté, conscient de réaliser cette opération à ses risques et périls.
 - N'utilisez jamais les lames de coupe à proximité d'objets durs (barrières, murs, troncs d'arbres, pierres).
 - N'utilisez jamais les lames de coupes verticalement lors de l'entretien de bordures ou du taillage de haies.



Outils de coupe

1. Utilisez un outil de coupe adapté au travail à réaliser.
 - Les têtes de coupe à fil nylon (têtes de désherbage) sont adaptées pour couper l'herbe.
 - Les lames métalliques sont adaptées pour couper les mauvaises herbes, les herbes hautes, les buissons, les arbustes, les broussailles, les taillis, etc.
 - N'utilisez jamais d'autres lames (par exemple chaînes et lames articulées), sous peine de provoquer des blessures graves.
2. Utilisez toujours le déflecteur adapté à l'outil de coupe utilisé.
3. Ne montez jamais d'outil de coupe métallique sur des modèles à tête de coupe à fil nylon.
4. Lorsque vous utilisez des lames métalliques, prévenez les chocs en retour et soyez toujours prêt à y faire face. Référez-vous à la partie « Choc en retour ».

Choc en retour (rebond)

1. Le choc en retour (rebond) est une réaction soudaine de la lame de coupe lorsque celle-ci se retrouve coincée ou bloquée. Lorsque cela se produit, l'outil est violemment projeté vers le côté ou vers l'utilisateur, ce qui peut entraîner des blessures graves.

Vibrations

1. Les personnes souffrant de troubles de la circulation qui sont exposées à des vibrations excessives risquent de subir des lésions des vaisseaux sanguins ou du système nerveux. Les vibrations peuvent entraîner l'apparition des symptômes suivants dans les doigts, mains ou poignets : engourdissement, picotements, douleur, sensation de coup de poignard, altération de la peau ou de la couleur de la peau. Si l'un de ces symptômes survient, consultez un médecin !
2. Afin de réduire le risque de syndrome du doigt mort, gardez vos mains au chaud pendant que vous travaillez et entreprenez correctement l'outil et les accessoires.

Transport

1. Arrêtez l'outil et débranchez-le avant de le transporter. Placez le cache de protection sur la lame de coupe.
2. Lorsque vous transportez l'outil, portez-le horizontalement en le tenant par l'arbre.
3. Lorsque vous transportez l'outil dans un véhicule, fixez-le solidement afin d'éviter qu'il ne se retourne. Sinon, l'outil et les bagages risquent d'être endommagés.

Entretien

1. Faites entretenir votre outil par un centre de service agréé, exclusivement avec des pièces de rechange d'origine. Des réparations mal faites et un mauvais entretien peuvent diminuer la durée de vie de l'outil et augmenter le risque d'accident.
2. Arrêtez le moteur et débranchez la prise de l'alimentation avant d'effectuer l'entretien de l'outil, de le réparer ou de le nettoyer.
3. Portez toujours des gants de protection lorsque vous manipulez la lame de coupe.
4. Nettoyez toujours les poussières et la salissure présentes sur l'outil. Pour ce faire, n'utilisez jamais d'essence, de benzine, de diluant, d'alcool ou de produits similaires, qui peuvent entraîner la décoloration ou la déformation des parties en plastique, ou encore l'apparition de fissures.
5. Après chaque utilisation, resserrez toutes les vis et tous les écrous.
6. N'essayez pas réaliser des travaux d'entretien ou des réparations non décrits dans le manuel d'instruction. Ces travaux doivent être effectués par un centre technique agréé.
7. Utilisez toujours des pièces de rechange et des accessoires d'origine. L'utilisation de pièces de rechange ou d'accessoires fournis par un tiers peut entraîner une panne de l'outil, des dommages matériels et/ou des blessures graves.
8. Demandez à un centre technique agréé d'inspecter et d'entretenir régulièrement l'outil.

Remisage

1. Avant de remettre l'outil, effectuez toujours un nettoyage complet et un entretien. Débranchez la prise de l'alimentation. Placez le cache de protection sur la lame de coupe.
2. Entrez l'outil dans un endroit sec, en hauteur ou fermé à clé, hors de portée des enfants.
3. N'appuyez pas l'outil contre un mur ou tout autre support. Il risque de tomber brusquement et d'entraîner des blessures.

Premiers secours

1. Ayez toujours à portée de la main une trousse de premiers secours. Remplacez immédiatement tout article utilisé.
2. En cas d'accident, appelez les services de secours et fournissez-leur les informations suivantes :
 - lieu de l'accident
 - circonstances de l'accident
 - nombre de personnes blessées
 - nature de la blessure
 - votre nom

CONSERVEZ CES INSTRUCTIONS.

AVERTISSEMENT :

NE vous laissez PAS tromper (au fil d'une utilisation répétée) par un sentiment d'aisance et de familiarité avec le produit, en négligeant le respect rigoureux des consignes de sécurité qui accompagnent le produit en question. La MAUVAISE UTILISATION de l'outil ou le non-respect des consignes de sécurité indiquées dans ce manuel d'instructions peuvent entraîner une blessure grave.

DESCRIPTION (Fig. 1)

DESCRIPTION DU FONCTIONNEMENT

AVERTISSEMENT :

- **Assurez-vous toujours que l'outil est hors tension et débranché avant de l'ajuster ou de vérifier son fonctionnement.** Si vous ne mettez pas l'outil hors tension et si vous ne le débranchez pas, son démarrage accidentel peut entraîner une blessure grave.

Interrupteur (Fig. 2)

AVERTISSEMENT :

- **Avant de brancher l'outil, vérifiez toujours que la gâchette fonctionne correctement et qu'elle revient en position d'arrêt (OFF) une fois relâchée. Ne tirez pas sur la gâchette en forçant si vous n'avez pas actionné le bouton de sécurité. Vous risquez de casser l'interrupteur.** L'utilisation d'un outil dont l'interrupteur ne fonctionne pas correctement peut entraîner la perte de maîtrise de l'outil et des blessures graves.

Le bouton de sécurité permet d'éviter de tirer accidentellement sur la gâchette.

Pour démarrer l'outil, faites glisser le bouton de sécurité vers l'avant puis tirez sur la gâchette. Pour arrêter l'outil, libérez la gâchette.

Tête de coupe à fil nylon (Fig. 3)

REMARQUE :

- N'essayez pas d'utiliser le système d'avance par choc lorsque l'outil fonctionne à régime élevé. L'utilisation du système d'avance par choc à régime élevé risque d'endommager la tête de coupe à fil nylon.
- Le système d'avance par choc ne fonctionne pas correctement si la tête n'est pas en rotation.

NOTE :

- Les accessoires standard varient d'un modèle et d'un pays à l'autre.

La tête de coupe à fil nylon est une tête de désherbage double équipée d'un système d'avance par choc.

Pour faire avancer le fil nylon, frappez la tête de coupe sur le sol, la tête étant en rotation.

NOTE :

- Si le fil nylon n'avance pas lorsque vous frappez la tête sur le sol, rebobinez/remplacez le fil nylon en suivant les procédures décrites dans « Entretien ».

Support de câble (Fig. 4)

Faites une petite boucle sur le câble d'alimentation, et accrochez-la sur le support de câble.

MONTAGE

AVERTISSEMENT :

- **Avant d'effectuer toute intervention sur l'outil, assurez-vous toujours qu'il est hors tension et débranché.** Si vous ne mettez pas l'outil hors tension et si vous ne le débranchez pas, son démarrage accidentel peut entraîner une blessure grave.
- **Ne démarrez jamais l'outil s'il n'est pas entièrement monté.** L'utilisation de l'outil partiellement monté peut entraîner une grave blessure suite à un démarrage accidentel.

Pose de la poignée (Fig. 5)

AVERTISSEMENT :

- N'enlevez pas l'entretoise ou l'amortisseur, ne les raccourcissez pas. L'entretoise maintient une certaine distance entre les deux mains. Une distance de montage inférieure à la longueur de l'entretoise entre l'ensemble poignée/protection et l'autre poignée peut entraîner la perte de maîtrise de l'outil et des blessures graves.

Placez la poignée et la protection sur la partie recouverte de caoutchouc de l'arbre. Réglez l'emplacement de la poignée, et fixez l'ensemble en place avec quatre boulons.

Combinaisons autorisées d'outil de coupe et de déflecteur

AVERTISSEMENT :

- **Utilisez toujours l'outil avec la combinaison autorisée d'équipements de sécurité.** Sinon, le contact avec un outil de coupe peut entraîner des blessures graves.
- **N'utilisez jamais l'outil sans le déflecteur en place (voir l'illustration).** Le non-respect de cette consigne peut entraîner des blessures graves.

NOTE :

- Les accessoires standard varient d'un modèle et d'un pays à l'autre.

Pour la lame de coupe (Fig. 6)

Pour la tête de coupe à fil nylon (Fig. 7)

Pose du déflecteur de la lame de coupe (Fig. 8)

1. Alignez les trous du déflecteur intérieur avec les trous du carter d'engrenage.
2. Assemblez-les avec les trois boulons.

Pose du déflecteur de la tête de coupe à fil nylon

ATTENTION :

- Veillez à ne pas vous blesser avec le coupe-fil du fil nylon.
- N'oubliez pas d'enlever le cache de protection du coupe-fil avant utilisation.

1. Alignez les quatre vis de boulon insérées dans les trous du déflecteur extérieur avec les trous du déflecteur intérieur. (Fig. 9)
2. Assemblez les deux déflecteurs avec les quatre boulons.
3. Alignez les trous du déflecteur intérieur avec les trous du carter d'engrenage.
4. Assemblez-les avec les boulons. (Fig. 10)

Montage de la lame de coupe

AVERTISSEMENT :

- **Le diamètre extérieur de la lame de coupe doit être de 230 mm.** N'utilisez jamais de lame de coupe de plus de 230 mm de diamètre extérieur.

ATTENTION :

- La lame de coupe doit être bien affûtée, sans fissure ou rupture. Affûtez ou remplacez la lame de coupe toutes les trois heures d'utilisation.
- Portez toujours des gants de protection lorsque vous manipulez la lame de coupe.
- Fixez toujours le cache de protection lorsque vous n'utilisez pas l'outil ou lorsque vous le transportez.
- L'écrou de fixation de la lame de coupe se détériore au fil du temps. En cas d'usure ou de détérioration, remplacez l'écrou. Demandez à un centre technique agréé locale de le commander.

REMARQUE :

- Veillez à utiliser une authentique lame de coupe.

Retournez l'outil afin de remplacer la lame de coupe facilement. (Fig. 11)

1. Placez la rondelle d'appui sur l'axe.
2. Tournez la rondelle d'appui jusqu'à ce que l'encoche se trouvant sur celle-ci corresponde à celle du carter d'engrenage.
3. Insérez la tige ronde dans les deux encoches afin d'empêcher la rondelle d'appui de tourner.
4. Placez la lame sur la rondelle d'appui.
5. Placez la rondelle de serrage sur la lame.
6. Placez la coupelle sur la lame.
7. Assemblez-les à l'aide de l'écrou en tournant celui-ci dans le sens inverse des aiguilles d'une montre tout en maintenant la tige ronde.

Pour démonter la lame, inversez les étapes ci-dessus.

Pose de la tête de coupe à fil nylon (Fig. 12)

REMARQUE :

- Veillez à utiliser une authentique tête de coupe à fil nylon.

Retournez l'outil afin de remplacer la tête de coupe à fil nylon facilement.

NOTE :

- Enlevez le cache de protection du coupe-fil avant utilisation.

1. Placez la rondelle d'appui sur l'axe.
2. Tournez la rondelle d'appui jusqu'à ce que l'encoche se trouvant sur celle-ci corresponde à celle du carter d'engrenage.
3. Insérez la tige ronde dans les deux encoches afin d'empêcher la rondelle d'appui de tourner.
4. Fixez la tête de coupe à fil nylon en la tournant dans le sens inverse des aiguilles d'une montre.
5. Retirez la tige ronde après avoir installé la tête de coupe à fil nylon.

Pour démonter la tête de coupe à fil nylon, inversez les étapes ci-dessus.

UTILISATION

Manipulation correcte de l'outil (Fig. 13)

Position correcte

AVERTISSEMENT :

- **Placez toujours l'outil à votre droite afin que la protection se trouve toujours devant vous.** Le bon positionnement de l'outil permet un contrôle maximal et réduit le risque de blessure grave en cas de choc en retour.

ATTENTION :

- **Si l'outil de coupe heurte accidentellement une pierre ou un autre objet dur en cours d'utilisation, arrêtez immédiatement l'outil et assurez-vous de l'absence de détérioration. Si l'outil de coupe est endommagé, remplacez-le immédiatement.** L'utilisation d'un outil de coupe endommagé peut entraîner une blessure grave.

Placez le harnais sur votre épaule gauche en passant votre tête et votre bras droit à l'intérieur. Maintenez l'outil à votre droite afin que la protection se trouve toujours devant vous.

Fixation du harnais (Fig. 14)

Ajustez la longueur du harnais afin que l'outil de coupe soit toujours parallèle au sol.

Fixez le harnais sur l'anneau de suspension.

AVERTISSEMENT :

- **Veillez à garder le contrôle de l'outil en permanence.**

Ne laissez pas l'outil dévier vers vous ou vers toute personne à proximité de la zone de travail. La perte de contrôle de l'outil présente des risques de blessure grave pour l'opérateur et les personnes à proximité.

Réglage de la position de l'anneau de suspension et du harnais (Fig. 15)

Réglez la position de l'anneau de suspension comme illustré. (Fig. 16)

Pour modifier la position de l'anneau de suspension, desserrez le boulon se trouvant sur celui-ci. Déplacez ensuite l'anneau de suspension.

Réglez la position de l'anneau de suspension, puis resserrez fermement le boulon avec la clé de réglage.

ENTRETIEN

AVERTISSEMENT :

- **Assurez-vous toujours que l'outil est hors tension et débranché avant d'effectuer tous travaux d'inspection ou d'entretien sur celui-ci.** Si vous ne mettez pas l'outil hors tension et si vous ne le débranchez pas, son démarrage accidentel peut entraîner une blessure grave.

REMARQUE :

- N'utilisez jamais d'essence, de benzine, de diluant, d'alcool ou de produits similaires, qui peuvent entraîner une décoloration, une déformation ou l'apparition de fissures.

Remplacement du fil nylon (Fig. 17)

AVERTISSEMENT :

- **Assurez-vous que la tête de coupe à fil nylon est correctement maintenue en place avant utilisation.**

Une tête de coupe à fil nylon mal fixée risque d'être éjectée et de provoquer des blessures graves.

1. Retirez la tête de coupe à fil nylon.
2. Enlevez le couvercle en appuyant sur les deux loquets opposés, situés sur les parties fendues du côté de la coupelle.
3. Retirez la bobine. Enlevez ensuite le vieux fil de la bobine.
4. Coupez un morceau de fil nylon de longueur 3 – 6 m. Pliez le fil de coupe en deux parties inégales, l'une étant plus longue que l'autre de 80 – 100 mm. (Fig. 18)
5. Accrochez la boucle du nouveau fil nylon sur l'encoche située au centre de la bobine, entre les deux gorges destinées au fil nylon. (Fig. 19)
6. Enroulez en serrant les fils dans les gorges selon la direction indiquée par la flèche sur la bobine. (Fig. 20)
7. Faites sortir les fils nylon par les œillets de la coupelle.
8. Alignez les parties saillantes situées sous le couvercle avec les fentes des œillets. Poussez ensuite fermement le couvercle sur la coupelle pour le bloquer. Assurez-vous que les loquets sont entièrement déployés dans le couvercle.

Pour maintenir la SÉCURITÉ et la FIABILITÉ du produit, les réparations, travaux d'entretien et autres réglages doivent être effectués dans un centre de service Makita agréé, exclusivement avec des pièces de rechange Makita.

INTERVALLE D'ENTRETIEN

Pièces :	Périodicité :	Opération :
Cordon d'alimentation	Avant chaque utilisation	Vérifiez visuellement l'état de la pièce (usure ou détérioration importantes). Si elle est endommagée, demandez à votre centre technique de réaliser les réparations.
Vis de la poignée auxiliaire	Avant chaque utilisation	Vérifiez si la vis est bien serrée. Serrez la vis si elle est desserrée. Remplacez la vis si elle est endommagée.
Défecteur de l'outil de coupe	Avant chaque utilisation	Vérifiez si la vis est bien serrée et si le déflecteur est en bon état. Serrez la vis si elle est desserrée. Remplacez le déflecteur s'il est endommagé.
Lame de coupe	Toutes les 10 heures	Lubrifiez avec de l'huile anticorrosion après chaque utilisation. Vérifiez l'état de la pièce (détérioration). Remplacez-la si elle est endommagée.
Tête de coupe à fil nylon	Toutes les 10 heures	Vérifiez visuellement l'état de la pièce (usure ou détérioration importantes). Remplacez-la si elle est endommagée.
Arbre de transmission	Toutes les 10 heures	Lubrifiez avec de l'huile anticorrosion.

DÉPANNAGE

Avant de faire faire une réparation, effectuez votre propre inspection. Si vous rencontrez un problème non décrit dans le présent manuel, n'essayez pas de démonter l'outil. Confiez-le à un centre technique agréé Makita, qui utilise toujours des pièces de rechange Makita pour les réparations.

Dysfonctionnement	Cause	Remède
Le moteur ne tourne pas.	La prise n'est pas branchée sur l'alimentation électrique.	Branchez la prise sur l'alimentation électrique.
	Le câble d'alimentation est cassé.	Demandez à un centre technique agréé locale de réaliser les réparations.
	Le système d'entraînement ne fonctionne pas correctement.	
Le moteur arrête de tourner après une courte utilisation.	Surchauffe	Arrêtez d'utiliser l'outil et laissez-le refroidir.
Impossible d'atteindre le plein régime.	Le système d'entraînement ne fonctionne pas correctement.	Demandez à un centre technique agréé locale de réaliser les réparations.
L'outil de coupe ne tourne pas : arrêtez immédiatement la machine !	Un corps étranger par exemple une branche est coincé entre le déflecteur et l'outil de coupe.	Enlevez le corps étranger.
	L'écrou de fixation de la lame de coupe est desserré.	Serrez l'écrou correctement, comme décrit dans le présent manuel.
	La lame de coupe est tordue.	Remplacez la lame de coupe.
	Le système d'entraînement ne fonctionne pas correctement.	Demandez à un centre technique agréé locale de réaliser les réparations.
Vibrations anormales : arrêtez immédiatement la machine !	Une des extrémités du fil nylon s'est cassée.	Pour faire avancer le fil nylon, frappez la tête de coupe sur le sol, la tête étant en rotation.
	La lame de coupe est tordue, fissurée ou usée.	Remplacez la lame de coupe.
	L'écrou de fixation de la lame de coupe est desserré.	Serrez l'écrou correctement, comme décrit dans le présent manuel.
	La lame de coupe n'est pas serrée correctement.	
	Le système d'entraînement ne fonctionne pas correctement.	Demandez à un centre technique agréé locale de réaliser les réparations.
L'outil de coupe et le moteur ne s'arrêtent pas : débranchez immédiatement l'outil de l'alimentation électrique !	Dysfonctionnement électrique ou électronique.	Débranchez immédiatement l'outil de l'alimentation électrique et demandez à un centre technique agréé locale de réaliser les réparations.

ACCESSOIRES EN OPTION

ATTENTION :

- Ces accessoires ou pièces sont recommandés pour l'utilisation avec l'outil Makita spécifié dans ce mode d'emploi. L'utilisation de tout autre accessoire ou toute autre pièce peut comporter un risque de blessure. N'utilisez les accessoires ou pièces qu'aux fins auxquelles ils ont été conçus.

Si vous désirez obtenir plus de détails concernant ces accessoires, veuillez contacter le centre de service Makita le plus proche.

- Lame de coupe
- Tête de coupe à fil nylon
- Fil nylon (fil de coupe)
- Harnais simple

NOTE :

- Il se peut que certains éléments de la liste soient fournis avec l'outil en tant qu'accessoires standard. Ils peuvent varier d'un pays à l'autre.

Erläuterung der Gesamtansicht

- | | | |
|---|--------------------------------|-------------------|
| 1 Kabelhalter | 10 Schneidwerkzeug | 21 Klemmscheibe |
| 2 Netzkabel (die Form kann je nach Land unterschiedlich sein) | 11 Schultergurt | 22 Becher |
| 3 Hinterer Handgriff | 12 Polster | 23 Mutter |
| 4 Einschaltsperrhebel | 13 Effektivster Schnittbereich | 24 Nylonfadenkopf |
| 5 Elektronikschalter | 14 Handgriff | 25 Fadenschneider |
| 6 Vorderer Handgriff | 15 Gummitel | 26 Abdeckung |
| 7 Aufhänger (Aufhängepunkt) | 16 Innere Schutzhaube | 27 Aufhänger |
| 8 Sperre | 17 Äußere Schutzhaube | 28 80 – 100 mm |
| 9 Schneidwerkschutz (Schutzhaube) | 18 Aufnahmescheibe | 29 Spule |
| | 19 Rundstift | |
| | 20 Messer | |

TECHNISCHE DATEN

Modell	UR2300	UR3502
Handgrifftyp	Ringgriff	
Gesamtlänge	1 630 mm	
Dauer-Nennleistung	1 000 W	
Leerlaufdrehzahl	5 700 min ⁻¹	5 700 min ⁻¹
Schneidwerkzeug	Schneidblatt	Nylonfadenkopf
Schnittbreite	230 mm	350 mm
Nettogewicht	4,7 kg	4,9 kg
Schutzart	□/II	

- Aufgrund unseres Dauerprogramms der Forschung und Entwicklung unterliegen die hier angegebenen technischen Daten Änderung ohne Vorankündigung.
- Die technischen Daten können von Land zu Land unterschiedlich sein.
- Gewicht nach EPTA-Verfahren 01/2003

Geräusch	Durchschnittlicher Schalldruckpegel		Durchschnittlicher Schalleistungspegel		Zutreffender Standard
	L _{PA} (dB (A))	Unsicherheit K (dB (A))	L _{wA} (dB (A))	Unsicherheit K (dB (A))	
Schneidwerkzeug					
Schneidblatt	80,8	2,5	93,45	1,23	EN 60335-1, EN 50636-2-91, EN ISO 11806
Nylonfadenkopf	85,3	2,5	93,84	1,58	

- Einen Gehörschutz tragen.

Vibration	Vorderer Griff		Hinterer Griff		Zutreffender Standard
	a _v (m/s ²)	Unsicherheit K (m/s ²)	a _v (m/s ²)	Unsicherheit K (m/s ²)	
Schneidwerkzeug					
Schneidblatt	2,856	1,5	2,712	1,5	EN 60335-1, EN 50636-2-91, EN ISO 11806
Nylonfadenkopf	2,768	1,5	2,694	1,5	

- Der angegebene Vibrationsemissionswert wurde im Einklang mit der Standardprüfmethode gemessen und kann für den Vergleich zwischen Geräten herangezogen werden.
- Der angegebene Vibrationsemissionswert kann auch für eine Vorbewertung des Gefährdungsgrads verwendet werden.

⚠️ WARNUNG:

- Die Vibrationsemission während der tatsächlichen Benutzung des Elektrowerkzeugs kann je nach der Benutzungsweise des Gerätes vom angegebenen Emissionswert abweichen.

- Identifizieren Sie Sicherheitsmaßnahmen zum Schutz des Benutzers anhand einer Schätzung des Gefährdungsgrads unter den tatsächlichen Benutzungsbedingungen (unter Berücksichtigung aller Phasen des Arbeitszyklus, wie z. B. Ausschalt- und Leerlaufzeiten des Gerätes zusätzlich zur Betriebszeit).



- Nur für EU-Länder
Werfen Sie Elektrogeräte nicht in den Hausmüll!
Unter Einhaltung der Europäischen Richtlinie über Elektro- und Elektronik-Altgeräte und ihrer Umsetzung gemäß den Landesgesetzen müssen Elektrogeräte, die das Ende ihrer Lebensdauer erreicht haben, getrennt gesammelt und einer umweltgerechten Recycling-Einrichtung zugeführt werden.

Symbole

Nachfolgend werden die für das Gerät verwendeten Symbole beschrieben. Machen Sie sich vor der Benutzung mit ihrer Bedeutung vertraut.



- Besondere Umsicht und Aufmerksamkeit erforderlich.



- Gebrauchsanleitung lesen.



- Gefahr durch herausgeschleuderte Objekte.



- Der Abstand zwischen dem Gerät und Umstehenden sollte mindestens 15 m betragen.



- Umstehende fernhalten.



- Helm, Schutzbrille und Gehörschutz tragen.



- Schutzhandschuhe tragen.



- Festes Schuhwerk mit rutschfesten Sohlen tragen. Sicherheitsschuhe mit Stahl-Zehenkappen werden empfohlen.



- Keiner Feuchtigkeit aussetzen.



- Den Netzstecker abziehen, falls das Netzkabel beschädigt oder verheddert wird.



- Rückstoß vermeiden.



- Mindestens 15 m Abstand halten.



- DOPPELTE ISOLIERUNG

EG-KONFORMITÄTSERKLÄRUNG

Nur für europäische Länder

Die EG-Konformitätserklärung ist als Anhang A in dieser Bedienungsanleitung enthalten.

Allgemeine Sicherheitshinweise für Elektrowerkzeuge

⚠️ WARNUNG Lesen Sie alle Sicherheitshinweise und Anweisungen sorgfältig durch. Wenn die Hinweise und Anweisungen nicht beachtet werden, besteht die Gefahr eines Stromschlags, Brands und/oder das Risiko von ernsthaften Verletzungen.

Bewahren Sie alle Hinweise und Anweisungen zur späteren Referenz gut auf.

Der Begriff „Elektrowerkzeug“ bezieht sich in den Warnhinweisen auf Ihr netzbetriebenes Elektrowerkzeug (mit Kabel) oder Ihr akku- bzw. batteriebetriebenes Elektrowerkzeug (ohne Kabel).

Sicherheit am Arbeitsplatz

1. **Achten Sie auf ein sauberes und gut beleuchtetes Arbeitsumfeld.** In unordentlichen oder dunklen Bereichen können schnell Unfälle passieren.
2. **Betreiben Sie keine Elektrowerkzeuge in explosionsgefährdeter Umgebung, wie etwa in der Nähe von brennbaren Flüssigkeiten, Gasen oder Staub.** Bei Elektrowerkzeugen treten Funken aus, die Staub und Ausdünstungen entzünden können.
3. **Halten Sie Kinder und Zuschauer auf Abstand, wenn Sie ein Elektrowerkzeug bedienen.** Ablenkung kann zu Kontrollverlust führen.

Elektrische Sicherheit

4. **Die Stecker des Elektrowerkzeugs müssen in die Steckdose passen. Verändern Sie niemals den Stecker. Verwenden Sie keine Adapterstecker bei geerdeten Elektrowerkzeugen.** Originalstecker und passende Steckdosen reduzieren das Risiko eines Stromschlags.
5. **Vermeiden Sie Körperkontakt mit geerdeten Oberflächen, wie Rohren, Kühlern, Heiz- und Kühlelementen.** Wenn Ihr Körper geerdet ist, besteht ein erhöhtes Risiko eines Stromschlags.
6. **Das Elektrowerkzeug darf weder Regen noch Feuchtigkeit ausgesetzt werden.** Wenn Wasser in ein Elektrowerkzeug eindringt, erhöht dies das Risiko eines Stromschlags.
7. **Gehen Sie ordnungsgemäß mit dem Stromkabel um. Verwenden Sie nie das Kabel, um das Elektrowerkzeug zu transportieren oder zu ziehen oder den Stecker herauszuziehen. Halten Sie das Kabel von Hitze, Öl, scharfen Kanten und beweglichen Teilen fern.** Beschädigte oder verwickelte Kabel erhöhen das Risiko eines Stromschlags.
8. **Verwenden Sie ein dafür geeignetes Verlängerungskabel, wenn Sie das Elektrowerkzeug im Freien betreiben.** Die Verwendung eines für den Gebrauch im Freien vorgesehenen Verlängerungskabels vermindert das Risiko eines Stromschlags.
9. **Wenn sich der Einsatz des Elektrowerkzeugs an einem feuchten Ort nicht vermeiden lässt, verwenden Sie für die Stromversorgung einen RCD-Schutzschalter (GFCI, früher als FI-Schutzschalter bezeichnet).** Durch die Verwendung eines RCD-Schutzschalters (GFCI) verringert sich die Gefahr eines Stromschlags.

10. **Es wird grundsätzlich empfohlen, eine Stromversorgung mit RCD-Schutzschalter zu verwenden, der bei einem Fehlerstrom von max. 30 mA auslöst.**

Persönliche Sicherheit

11. **Bleiben Sie wachsam, achten Sie auf das, was Sie tun, und gebrauchen Sie Ihren gesunden Menschenverstand, wenn Sie ein Elektrowerkzeug benutzen. Betreiben Sie Elektrowerkzeuge nicht, wenn Sie müde sind oder unter dem Einfluss von Drogen, Alkohol oder Medikamenten stehen.** Ein Moment der Unachtsamkeit kann beim Umgang mit Elektrowerkzeugen zu schweren Personenschäden führen.
12. **Verwenden Sie zu Ihrem Schutz eine geeignete Sicherheitsausrüstung. Benutzen Sie immer eine Schutzbrille.** Den Umständen angepasste Sicherheitsausrüstungen, z.B. Staubmasken, rutschfreie Sicherheitsschuhe, Helme und Hörschutz, vermindern das Verletzungsrisiko.
13. **Vermeiden Sie ein versehentliches Einschalten des Werkzeugs. Vergewissern Sie sich, dass es ausgeschaltet ist, bevor Sie es an eine Stromquelle und/oder den Akku anschließen, hochheben oder transportieren.** Der Transport des Geräts mit dem Finger auf dem Schalter und das Einstöpseln eingeschalteter Elektrowerkzeuge können zu Unfällen führen.
14. **Entfernen Sie alle Einstell- und sonstigen Schlüssel, bevor Sie das Elektrowerkzeug einschalten.** Auf den rotierenden Teilen eines Elektrowerkzeugs belassene Schlüssel können zu Verletzungen führen.
15. **Übernehmen Sie sich nicht. Achten Sie jederzeit auf sicheren Stand und Balance.** Dies ermöglicht die bessere Kontrolle des Elektrowerkzeugs in unvorhergesehenen Situationen.
16. **Tragen Sie geeignete Kleidung. Tragen Sie keine weite Kleidung oder Schmuck. Halten Sie Haar, Kleidung und Handschuhe fern von beweglichen Teilen.** Weite Kleidung, Schmuck und langes Haar können sich in den beweglichen Teilen verfangen.
17. **Falls Geräte zum Absaugen und Sammeln von Staub vorhanden sind, schließen Sie diese an und verwenden Sie sie ordnungsgemäß.** Die Verwendung einer Vorrichtung zum Sammeln von Staub kann Gefahren verringern, die mit Staub in Zusammenhang stehen.

Verwendung und Pflege von Elektrowerkzeugen

18. **Verwenden Sie das Elektrowerkzeug nicht mit Gewalt. Benutzen Sie das für die jeweilige Anwendung geeignete Elektrowerkzeug.** Das richtige Werkzeug erfüllt seinen Zweck am besten und sichersten in dem Zusammenhang, für den es hergestellt wurde.
19. **Verwenden Sie kein Elektrowerkzeug, das sich nicht mit dem Schalter ein- und ausschalten lässt.** Jedes Elektrowerkzeug, dessen Schalter nicht funktioniert, stellt eine Gefahr dar und muss repariert werden.
20. **Ziehen Sie den Stecker aus der Steckdose bzw. den Akku aus dem Gerät, bevor Sie Einstellungen am Elektrowerkzeug vornehmen, Zubehör wechseln oder das Gerät lagern.** Diese präventiven Sicherheitsmaßnahmen reduzieren das Risiko eines versehentlichen Starts.

21. **Lagern Sie nicht verwendete Elektrowerkzeuge außerhalb der Reichweite von Kindern und erlauben Sie niemandem, der mit dem Betrieb des Elektrowerkzeugs oder den vorliegenden Anweisungen nicht vertraut ist, dieses zu benutzen.** In den Händen ungeübter Benutzer sind Elektrowerkzeuge gefährlich.
22. **Elektrowerkzeuge müssen ordnungsgemäß gewartet werden. Halten Sie Ausschau nach fehlerhaften Verbindungen, festsitzenden beweglichen Teilen, Defekten und allen anderen Bedingungen, die die Funktionsweise des Elektrowerkzeugs beeinträchtigen können. Lassen Sie bei einer Beschädigung das Elektrowerkzeug vor dem Gebrauch reparieren.** Viele Unfälle werden durch schlecht gewartete Elektrowerkzeuge verursacht.
23. **Halten Sie Schneidwerkzeug scharf und sauber.** Ordentlich gewartete Schneidwerkzeuge mit scharfen Schneidkanten verhalten nicht so schnell und sind einfacher in der Handhabung.
24. **Verwenden Sie das Elektrowerkzeug, das Zubehör, die Werkzeugeinsätze usw. in Übereinstimmung mit diesen Anweisungen und beachten Sie dabei die Arbeitsbedingungen und die durchzuführende Arbeit.** Die Verwendung eines Elektrowerkzeugs für Arbeitsgänge, für die es nicht konzipiert wurde, kann zu Gefahrensituationen führen.

Wartung

25. **Lassen Sie das Elektrowerkzeug ausschließlich von Fachpersonal unter Verwendung von Originalersatzteilen warten.** Dies gewährleistet die dauerhafte Sicherheit des Elektrowerkzeugs.
26. **Befolgen Sie die Anweisungen hinsichtlich Schmiermittel und Austauschzubehör.**
27. **Achten Sie darauf, dass die Griffe trocken, sauber und frei von Öl und Schmiermittel sind.**

WICHTIGE SICHERHEITSVORSCHRIFTEN

⚠️ WARNUNG! Lesen Sie alle Sicherheitswarnungen und Anweisungen durch. Eine Missachtung der unten aufgeführten Warnungen und Anweisungen kann zu einem elektrischen Schlag, Brand und/oder schweren Verletzungen führen.

Bewahren Sie alle Warnungen und Anweisungen für spätere Bezugnahme auf.

Verwendungszweck

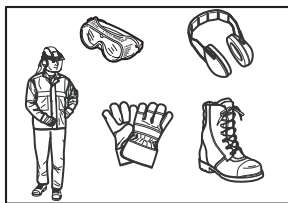
1. Der Rasentrimmer/Freischneider/Fadentrimmer ist nur für das Schneiden von Gras, Unkraut, Gebüsch und Gestrüpp vorgesehen. Das Gerät sollte nicht für andere Zwecke, wie Kanten- oder Heckenschneiden, verwendet werden, weil dadurch Verletzungen verursacht werden können.

Allgemeine Vorschriften

1. Lassen Sie keinesfalls Personen, die nicht mit dieser Anleitung vertraut sind, Personen (einschließlich Kinder) mit verminderten körperlichen, sensorischen oder geistigen Fähigkeiten oder Mangel an Erfahrung und Kenntnissen das Gerät benutzen. Kinder sollten beaufsichtigt werden, um sicherzugehen, dass sie nicht mit dem Gerät spielen.
2. Bevor Sie das Gerät in Betrieb nehmen, sollten Sie diese Bedienungsanleitung durchlesen, um sich mit der Handhabung des Gerätes vertraut zu machen.

3. Leihen Sie das Gerät keiner Person mit ungenügender Erfahrung oder Kenntnissen bezüglich der Handhabung von Freischneidern und Fadentrimmern.
4. Wenn Sie das Gerät verleihen, fügen Sie stets diese Bedienungsanleitung bei.
5. Behandeln Sie das Gerät mit äußerster Sorgfalt und Aufmerksamkeit.
6. Benutzen Sie das Gerät niemals nach der Einnahme von Alkohol oder Drogen, oder wenn Sie sich müde oder krank fühlen.
7. Versuchen Sie niemals, das Gerät zu modifizieren.
8. Hüten Sie sich vor Verletzungen durch Vorrichtungen, die zum Abschneiden der Fadenlänge angebracht wurden. Nachdem Sie den neuen Schneidfaden ausgezogen haben, bringen Sie das Gerät stets wieder in seine normale Betriebsposition, bevor Sie es einschalten.
9. Befolgen Sie die Vorschriften über die Handhabung von Freischneidern und Fadentrimmern in Ihrem Land.

Persönliche Schutzausrüstung



1. Tragen Sie einen Schutzhelm, eine Schutzbrille und Schutzhandschuhe, um sich vor zersplitterndem Unrat oder fallenden Gegenständen zu schützen.
2. Tragen Sie einen Gehörschutz, wie z. B. Ohrenschützer, um eine Gehörschädigung zu verhindern.
3. Tragen Sie sachgerechte Kleidung und Schuhe für sicheren Betrieb, wie z. B. einen Arbeitsoverall und robustes, rutschfestes Schuhwerk. Tragen Sie keine lose Kleidung oder Schmuck. Lose Kleidung, Schmuck oder langes Haar kann sich in beweglichen Teilen verfangen.
4. Tragen Sie Schutzhandschuhe, wenn Sie das Schneidblatt berühren müssen. Schneidblätter können schwere Verletzungen an bloßen Händen verursachen.

Sicherheit im Arbeitsbereich

1. Betreiben Sie das Gerät nur bei Tageslicht unter guten Sichtverhältnissen. Betreiben Sie das Gerät nicht bei Dunkelheit oder Nebel.
2. Betreiben Sie das Werkzeug nicht in explosiven Umgebungen, wie z. B. in Gegenwart von brennbaren Flüssigkeiten, Gasen oder Staub. Das Gerät erzeugt Funken, die den Staub oder die Dämpfe entzünden können.
3. Stellen Sie sich während der Arbeit niemals auf eine instabile oder schlüpfrige Fläche oder einen steilen Hang. Nehmen Sie sich während der kalten Jahreszeit vor Eis und Schnee in Acht, und achten Sie stets auf sicheren Stand.
4. Halten Sie Umstehende oder Tiere während der Arbeit mindestens 15 m vom Gerät entfernt. Halten Sie das Gerät an, sobald jemand sich nähert.

5. Untersuchen Sie den Arbeitsbereich vor Arbeitsbeginn auf Steine oder andere feste Objekte. Diese können herausgeschleudert werden oder gefährlichen Rückstoß verursachen, was zu ernsthaften Verletzungen und/oder Beschädigung von Eigentum führen kann.
6. **⚠️ WARNUNG:** Durch die Benutzung dieses Produkts kann Staub aufgewirbelt werden, der Chemikalien enthält, die Erkrankungen der Atemwege oder andere Krankheiten verursachen können. Beispiele solcher Chemikalien sind Stoffe, die in Pestiziden, Insektiziden, Düngemitteln und Herbiziden anzutreffen sind. Ihre Gefährdung durch den Umgang mit solchen Chemikalien hängt davon ab, wie oft Sie diese Arbeiten verrichten. Um Ihre Gefährdung durch diese Chemikalien zu reduzieren: Arbeiten Sie in gut belüfteter Umgebung, und verwenden Sie geprüfte Sicherheitsvorrichtungen, wie z.B. Staubmasken, die mikroskopische Teilchen herausfiltern.
10. Überprüfen Sie das Netzkabel und Verlängerungskabel vor der Benutzung auf Anzeichen von Beschädigung oder Alterung.
11. Falls das Kabel während der Benutzung beschädigt wird, trennen Sie das Kabel sofort vom Stromnetz. **Berühren Sie das Kabel nicht vor dem Abtrennen der Stromquelle.**
12. Benutzen Sie das Gerät nicht, wenn die Kabel beschädigt oder verschlissen sind.
13. Halten Sie das Verlängerungskabel von Schneidelementen fern.

Inbetriebnahme

1. Ziehen Sie unbedingt den Netzstecker von der Stromquelle ab, bevor Sie das Gerät zusammenbauen oder einstellen.
2. Tragen Sie Schutzhandschuhe, bevor Sie das Schneidblatt berühren.
3. Überprüfen Sie das Gerät auf Beschädigung, lose Schrauben/Muttern oder falschen Zusammenbau, bevor Sie es ans Stromnetz anschließen. Schärfen Sie ein stumpfes Schneidblatt. Falls das Schneidblatt verbogen oder beschädigt ist, tauschen Sie es aus. Überprüfen Sie alle Bedienungshebel und Schalter auf Leichtgängigkeit. Säubern und trocknen Sie die Handgriffe.
4. Versuchen Sie niemals, das Gerät einzuschalten, wenn es beschädigt oder nicht vollständig zusammengebaut ist. Anderenfalls kann es zu ernsthaften Verletzungen kommen.
5. Etwaige Einstell- oder Schraubenschlüssel sind vor dem Einschalten des Gerätes zu entfernen. Ein Schrauben- oder Einstellschlüssel, der auf einem rotierenden Teil des Gerätes stecken gelassen wird, kann zu einer Verletzung führen.
6. Stellen Sie den Schultergurt und den Handgriff auf die Körpergröße des Bedieners ein.
7. Wenn Sie das Gerät ans Stromnetz anschließen, halten Sie das Schneidwerk von Ihrem Körper und anderen Objekten, einschließlich des Bodens, fern. Das Schneidwerk kann sich beim Starten drehen und Verletzungen oder Sachschäden an Gerät und/oder Eigentum verursachen.

Betrieb

Elektrische Sicherheit

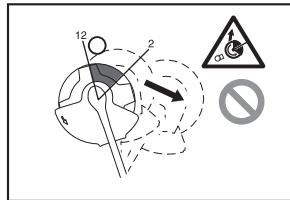
1. **Der Stecker des Elektrowerkzeugs muss an die Steckdose angepasst sein. Der Stecker darf auf keinen Fall in irgendeiner Form abgeändert werden. Verwenden Sie keine Adapterstecker mit geerdeten Elektrowerkzeugen.** Vorschriftsmäßige Stecker und passende Steckdosen reduzieren die Stromschlaggefahr.
2. **Vermeiden Sie Körperkontakt mit geerdeten Gegenständen (z. B. Rohre, Kühler, Herde, Kühlschränke).** Es besteht erhöhte Stromschlaggefahr, falls Ihr Körper Erdkontakt hat.
3. Setzen Sie das Gerät keinem Regen oder Nässe aus. Wasser, das in das Gerät eindringt, erhöht die Stromschlaggefahr.
4. **Das Kabel sorgfältig behandeln. Benutzen Sie das Kabel niemals zum Tragen, Ziehen oder Abtrennen des Elektrowerkzeugs. Halten Sie das Kabel von Hitze, Öl, scharfen Kanten oder beweglichen Teilen fern.** Ein beschädigtes oder verheddertes Kabel erhöht die Stromschlaggefahr.
5. Benutzen Sie das Gerät nicht, wenn es sich nicht mit dem Ein-Aus-Schalter ein- und ausschalten lässt. Ein Gerät, das nicht auf die Schalterbetätigung reagiert, ist gefährlich und muss repariert werden.
6. **Wenn Sie ein Elektrowerkzeug im Freien betreiben, verwenden Sie ein für Freiluftbenutzung geeignetes Verlängerungskabel.** Die Verwendung eines für Freiluftbenutzung geeigneten Kabels reduziert die Stromschlaggefahr.
7. **Lässt sich der Einsatz eines Elektrowerkzeugs in feuchter Umgebung nicht vermeiden, verwenden Sie eine Stromversorgung, die mit einem Fehlerstrom-Schutzschalter (RCD) geschützt ist.** Der RCD verringert die Gefahr eines elektrischen Schlags.
8. **Die Verwendung einer Stromversorgung über einen RCD mit einem Nennreststrom von maximal 30 mA ist stets zu empfehlen.**
9. Unbeabsichtigtes Einschalten verhüten. Vergewissern Sie sich, dass sich der Ein-Aus-Schalter in der Aus-Stellung befindet, bevor Sie die Stromquelle anschließen bzw. das Gerät aufheben oder tragen. Das Tragen von Elektrowerkzeugen mit dem Finger am Ein-Aus-Schalter oder das Anschließen bei eingeschaltetem Ein-Aus-Schalter führt zu Unfällen.

7. Überprüfen Sie den Zustand des Gerätes vor jeder Benutzung und nach einem schweren Aufprall oder Sturz, bevor Sie die Arbeit fortsetzen. Überprüfen Sie die Bedienelemente und Sicherheitsvorrichtungen auf Fehlfunktionen. Falls Sie einen Schaden feststellen oder Zweifel haben, wenden Sie sich bezüglich einer Inspektion und Reparatur an unser autorisiertes Service-Center.
8. Berühren Sie nicht das Antriebsgehäuse. Das Antriebsgehäuse wird während des Betriebs heiß.
9. Machen Sie eine Pause, um durch Müdigkeit verursachten Verlust der Kontrolle zu verhüten. Wir empfehlen, jede Stunde eine Pause von 10 bis 20 Minuten einzulegen.
10. Wenn Sie das Gerät unbeaufsichtigt lassen, auch nur für kurze Zeit, ziehen Sie stets den Netzstecker ab. Bleibt der Netzstecker des unbeaufsichtigten Gerätes eingesteckt, kann das Gerät von einer unbefugten Person benutzt werden und einen schweren Unfall verursachen.
11. Falls sich Gras oder Äste zwischen Schneidwerk und Schutzhaube verfangen, schalten Sie stets das Gerät aus, und ziehen Sie den Netzstecker ab, bevor Sie mit der Säuberung beginnen. Anderenfalls kann sich das Schneidwerk unbeabsichtigt in Bewegung setzen und ernsthafte Verletzungen verursachen.
12. Falls das Schneidwerk auf Steine oder andere harte Objekte trifft, schalten Sie das Gerät sofort aus. Ziehen Sie dann den Netzstecker ab, und überprüfen Sie das Schneidwerk.
13. Überprüfen Sie das Schneidwerk während des Betriebs öfter auf Risse oder Beschädigung. Ziehen Sie vor der Inspektion den Netzstecker ab, und warten Sie, bis das Schneidwerk vollständig zum Stillstand kommt. Wechseln Sie ein beschädigtes Schneidwerk unverzüglich aus, selbst wenn es nur oberflächliche Risse aufweist.
14. Schneiden Sie niemals über der Hüfthöhe.
15. Bevor Sie mit der Schneidarbeit beginnen, warten Sie, bis das Schneidwerk nach dem Einschalten des Gerätes eine konstante Drehzahl erreicht.
16. Wenn Sie Metallmesser verwenden, schwenken Sie das Gerät gleichmäßig in einem Halbkreis von rechts nach links wie eine Sense.
17. Halten Sie das Gerät nur an den isolierten Griffflächen, wenn die Gefahr besteht, dass das Schneidblatt verborgene Kabel kontaktiert. Bei Kontakt mit einem Strom führenden Kabel können die freiliegenden Metallteile des Gerätes ebenfalls Strom führend werden, so dass der Bediener einen elektrischen Schlag erleiden kann.
18. Achten Sie stets darauf, dass die Belüftungsöffnungen frei von Unrat sind.

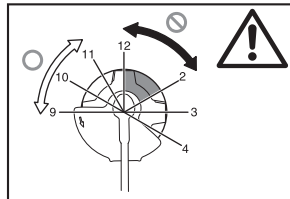
3. Montieren Sie niemals Schneidelemente aus Metall an Nylonfadenmodelle.
4. Wenn Sie Metallmesser verwenden, vermeiden Sie „Rückstoß“, und machen Sie sich immer auf unvorhergesehene Rückstöße gefasst. Siehe den Abschnitt „Rückstoß“.

Rückstoß (Messerhieb)

1. Rückstoß (Messerhieb) ist eine plötzliche Reaktion auf ein hängen bleibendes oder klemmendes Schneidblatt. Derartige Rückstöße schleudern das Gerät mit großer Kraft seitwärts oder auf den Bediener zu und können ernsthafte Verletzungen verursachen.
2. Rückstöße treten besonders dann auf, wenn das Messersegment zwischen der 12- und 2-Uhr-Stellung an feste Objekte, Buschwerk und Bäume mit einem Durchmesser von 3 cm oder größer angesetzt wird.



3. Um Rückstoß zu vermeiden:
 - Setzen Sie das Segment zwischen der 8- und 11-Uhr-Stellung an.
 - Setzen Sie das Segment niemals zwischen der 12- und 2-Uhr-Stellung an.
 - Setzen Sie das Segment niemals zwischen der 11- und 12-Uhr-Stellung sowie zwischen der 2- und 5-Uhr-Stellung an, es sei denn, dass Sie gut geschult und erfahren sind und auf eigene Gefahr handeln.
 - Benutzen Sie Schneidblätter niemals in der Nähe von festen Objekten, wie z. B. Zäunen, Mauern, Baumstümpfen und Steinen.
 - Benutzen Sie Schneidblätter niemals senkrecht für solche Arbeiten wie Kanten- und Heckenschneiden.



Schneidwerkzeuge

1. Verwenden Sie ein geeignetes Schneidwerkzeug für die anstehende Arbeit.
 - Nylonfadenköpfe (Fadentrimmerköpfe) eignen sich zum Schneiden von Rasen.
 - Metallmesser eignen sich zum Schneiden von Unkraut, hohem Gras, Buschwerk, Gesträuch, Unterholz, Dickicht und dergleichen.
 - Verwenden Sie keinesfalls andere Messer, einschließlich mehrgliedriger Gelenkketten aus Metall und Flegelmesser. Es könnte sonst zu ernsthaften Verletzungen kommen.
2. Montieren Sie stets eine für das verwendete Schneidwerkzeug geeignete Schutzhaube.

Vibration

1. Personen mit Kreislaufstörungen, die starken Vibrationen ausgesetzt werden, können Schädigungen der Blutgefäße oder des Nervensystems erleiden. Vibrationen können folgende Symptome an Fingern, Händen oder Handgelenken verursachen: „Einschlafen“ (Taubheit) der Körperteile, Prickeln, Schmerzen, Stechen, Veränderungen der Hautfarbe oder der Haut. Falls eines dieser Symptome auftritt, suchen Sie einen Arzt auf!

- Um die Gefahr von VVS (vibrationsbedingtes vasospastisches Syndrom) zu reduzieren, halten Sie Ihre Hände während der Arbeit warm, und sorgen Sie für gute Wartung von Gerät und Zubehör.

Transport

- Bevor Sie das Gerät transportieren, schalten Sie es aus, und ziehen Sie den Netzstecker ab. Bringen Sie die Abdeckung am Schneidblatt an.
- Wenn Sie das Gerät transportieren, tragen Sie es in waagerechter Stellung, indem Sie den Stiel halten.
- Wenn Sie das Gerät in einem Fahrzeug transportieren, sichern Sie es ordnungsgemäß, um Überschlagen zu verhindern. Anderenfalls kann es Beschädigung des Gerätes und anderem Gepäck kommen.

Wartung

- Lassen Sie Ihr Gerät von einem autorisierten Service-Center warten, und verwenden Sie immer nur Original-Ersatzteile. Falsche Reparatur und schlechte Wartung können die Lebensdauer des Gerätes verkürzen und die Unfallgefahr erhöhen.
- Bevor Sie Wartungs- oder Reparaturarbeiten durchführen oder das Gerät reinigen, sollten Sie immer das Gerät ausschalten und den Netzstecker abziehen.
- Tragen Sie stets Schutzhandschuhe bei der Handhabung des Schneidblatts.
- Säubern Sie das Gerät immer von Staub und Schmutz. Verwenden Sie auf keinen Fall Benzin, Benzol, Verdünner, Alkohol oder dergleichen zu diesem Zweck. Es kann sonst zu Verfärbung, Verformung oder Rissbildung der Kunststoffteile kommen.
- Ziehen Sie alle Schrauben und Muttern nach jedem Gebrauch fest.
- Versuchen Sie nicht, Wartungs- oder Reparaturarbeiten durchzuführen, die nicht in der Bedienungsanleitung beschrieben sind. Überlassen Sie solche Arbeiten unserem autorisierten Service-Center.
- Verwenden Sie immer nur unsere Original-Ersatz- und Zubehörteile. Die Verwendung von Ersatz- oder Zubehörteilen von Drittherstellern kann zu einem Ausfall des Gerätes, Sachschäden und/oder ernsthaften Verletzungen führen.
- Lassen Sie das Gerät von unserem autorisierten Service-Center in regelmäßigen Abständen inspizieren und warten.

Lagerung

- Bevor Sie das Gerät lagern, führen Sie eine vollständige Reinigung und Wartung durch. Ziehen Sie den Netzstecker ab. Bringen Sie die Abdeckung am Schneidblatt an.
- Lagern Sie das Gerät an einem trockenen und hohen oder abschließbaren Ort außer Reichweite von Kindern.
- Lehnen Sie das Gerät nicht gegen eine Wand oder dergleichen. Anderenfalls kann es plötzlich umkippen und Verletzungen verursachen.

Erste Hilfe

- Halten Sie stets einen Erste-Hilfe-Kasten in der Nähe. Dem Erste-Hilfe-Kasten entnommenes Material ist sofort wieder aufzufüllen.

- Wenn Sie Hilfe anfordern, machen Sie bitte folgende Angaben:
 - Ort des Unfalls
 - Art des Unfalls
 - Zahl der Verletzten
 - Art der Verletzungen
 - Ihr Name

DIESE ANWEISUNGEN AUFBEWAHREN.

WARNUNG:

Lassen Sie sich NICHT durch Bequemlichkeit oder Vertrautheit mit dem Produkt (durch wiederholten Gebrauch erworben) von der strikten Einhaltung der Sicherheitsregeln für das vorliegende Produkt abhalten. MISSBRAUCH oder Missachtung der Sicherheitsvorschriften in dieser Anleitung können schwere Verletzungen verursachen.

BESCHREIBUNG DER TEILE (Abb. 1)

FUNKTIONSBESCHREIBUNG

WARNUNG:

• **Vergewissern Sie sich vor jeder Einstellung oder Funktionsprüfung des Gerätes stets, dass es ausgeschaltet und vom Stromnetz getrennt ist.** Wird das Gerät nicht ausgeschaltet und vom Stromnetz getrennt, kann es zu schweren Verletzungen durch versehentliches Anlaufen kommen.

Funktion des Netzschalters (Abb. 2)

WARNUNG:

• **Vergewissern Sie sich vor dem Anschließen des Gerätes an das Stromnetz stets, dass der Elektronikschalter ordnungsgemäß funktioniert und beim Loslassen in die AUS-Stellung zurückkehrt. Betätigen Sie den Elektronikschalter nicht gewaltsam, ohne den Einschaltsperrhebel zu verschieben. Dies kann zu einer Beschädigung des Schalters führen.** Der Betrieb eines Gerätes mit fehlerhaftem Schalter kann zum Verlust der Kontrolle und zu schweren Verletzungen führen.

Um versehentliche Betätigung des Elektronikschalters zu verhüten, ist das Gerät mit einem Einschaltsperrhebel ausgestattet.

Schieben Sie den Einschaltsperrhebel zum Starten des Gerätes nach vorn, und betätigen Sie dann den Elektronikschalter. Lassen Sie den Elektronikschalter zum Anhalten los.

Nylonfadenkopf (Abb. 3)

BEMERKUNG:

- Versuchen Sie nicht, den Kopf anzuklopfen, während das Gerät mit hoher Drehzahl läuft. Anklopfen bei hoher Drehzahl kann eine Beschädigung des Nylonfadenkopfes verursachen.
- Die Bump-Feed-Funktion arbeitet nicht richtig, wenn sich der Kopf nicht dreht.

HINWEIS:

- Das Standardzubehör ist je nach Modell und Land unterschiedlich.

Der Nylonfadenkopf ist ein doppelter Rasentrimmerkopf mit Bump-Feed-Mechanismus.

Um den Nylonfaden auszuziehen, klopfen Sie den Schneidkopf gegen den Boden, während er sich dreht.

HINWEIS:

- Wird der Nylonfaden nicht durch Anknöpfen des Kopfes ausgezogen, wickeln Sie den Nylonfaden auf bzw. ersetzen Sie ihn nach dem unter „Wartung“ beschriebenen Verfahren.

Kabelhalter (Abb. 4)

Machen Sie eine kleine Schlinge in das Netzkabel, und hängen Sie diese an den Kabelhalter.

MONTAGE

⚠️ WARNUNG:

- **Vergewissern Sie sich vor der Ausführung von Arbeiten am Gerät stets, dass es ausgeschaltet und vom Stromnetz getrennt ist.** Wird das Gerät nicht ausgeschaltet und vom Stromnetz getrennt, kann es zu schweren Verletzungen durch versehentliches Anlaufen kommen.
- **Starten Sie das Gerät niemals, wenn es nicht vollständig zusammengebaut ist.** Der Betrieb des unvollständig zusammengebauten Gerätes kann zu schweren Verletzungen durch versehentliches Anlaufen führen.

Installieren des Handgriffs (Abb. 5)

⚠️ WARNUNG:

- Der Abstandshalter oder das Polster darf nicht entfernt oder geschrumpft werden. Der Abstandshalter hält einen bestimmten Abstand zwischen beiden Händen ein. Wird die Griff/Sperren-Einheit nahe an den anderen Griff über die Länge des Abstandshalters hinaus gesetzt, kann es zu einem Verlust der Kontrolle und schweren Verletzungen kommen.

Bringen Sie den Handgriff und die Sperre am Gummiteil des Stielrohrs an. Stellen Sie die Position des Handgriffs ein, und ziehen Sie dann die Teile mit vier Schrauben fest.

Genehmigte Kombination von Schneidwerkzeug und Schutzhaube

⚠️ WARNUNG:

- **Benutzen Sie das Gerät immer mit der genehmigten Kombination von Sicherheitsvorrichtungen.** Anderenfalls kann eine Berührung mit dem Schneidwerkzeug ernsthafte Verletzungen verursachen.
- **Benutzen Sie das Gerät niemals ohne die abgebildete Schutzhaube.** Anderenfalls kann es zu schweren Verletzungen kommen.

HINWEIS:

- Das Standardzubehör ist je nach Modell und Land unterschiedlich.

Für Schneidblatt (Abb. 6)

Für Nylonfadenkopf (Abb. 7)

Installieren der Schutzhaube für Schneidblatt (Abb. 8)

1. Richten Sie die Löcher in der inneren Schutzhaube auf die Löcher im Antriebsgehäuse aus.
2. Befestigen Sie dann die Teile mit drei Schrauben.

Installieren der Schutzhaube für Nylonfadenkopf

⚠️ VORSICHT:

- Achten Sie darauf, dass Sie sich nicht an dem Schneider des Nylonfadens verletzen.
- Vergessen Sie nicht, den Schneiderschutz vor Gebrauch zu entfernen.

1. Richten Sie die vier Schrauben an der äußeren Schutzhaube auf die Löcher in der inneren Schutzhaube aus. (Abb. 9)
2. Befestigen Sie dann die Teile mit den vier Schrauben.
3. Richten Sie die Löcher in der inneren Schutzhaube auf die Löcher im Antriebsgehäuse aus.
4. Befestigen Sie die Teile mit Schrauben. (Abb. 10)

Installieren des Schneidblatts

⚠️ WARNUNG:

- **Der Außendurchmesser des Schneidblatts muss 230 mm betragen.** Verwenden Sie keinesfalls ein Schneidblatt, dessen Außendurchmesser 230 mm überschreitet.

⚠️ VORSICHT:

- Das Schneidblatt muss gut poliert sein und darf keine Risse oder Brüche aufweisen. Das Schneidblatt ist alle drei Betriebsstunden zu polieren oder auszuwechseln.
- Tragen Sie stets Handschuhe bei der Handhabung des Schneidblatts.
- Bringen Sie stets die Messerabdeckung an, wenn das Gerät nicht benutzt oder transportiert wird.
- Die Schneidblatt-Befestigungsmutter verschleißt im Laufe der Zeit. Falls Sie Anzeichen von Verschleiß oder Verformung feststellen, ersetzen Sie die Mutter. Wenden Sie sich bezüglich einer Bestellung an Ihr autorisiertes Service-Center.

BEMERKUNG:

- Verwenden Sie unbedingt ein Original-Schneidblatt.

Drehen Sie das Gerät um, damit Sie das Schneidblatt leicht auswechseln können. (Abb. 11)

1. Schieben Sie die Aufnahmescheibe auf die Achse.
2. Drehen Sie die Aufnahmescheibe, bis ihre Kerbe sich mit der Kerbe am Antriebsgehäuse deckt.
3. Führen Sie den Rundstift durch beide Kerben ein, so dass die Aufnahmescheibe nicht gedreht werden kann.
4. Setzen Sie das Messer auf die Aufnahmescheibe.
5. Setzen Sie die Klemmscheibe auf das Messer.
6. Setzen Sie den Becher auf das Messer.
7. Sichern Sie die Teile mit der Mutter, indem Sie diese entgegen dem Uhrzeigersinn drehen, während Sie den Rundstift festhalten.

Zum Demontieren des Messers sind die obigen Schritte umgekehrt anzuwenden.

Installieren des Nylonfadenkopfes (Abb. 12)

BEMERKUNG:

- Verwenden Sie unbedingt den Original-Nylonfadenkopf.

Drehen Sie das Gerät um, damit Sie den Nylonfadenkopf leicht auswechseln können.

HINWEIS:

- Entfernen Sie die Abdeckung am Fadenschneider vor Gebrauch.
- 1. Schieben Sie die Aufnahmescheibe auf die Achse.
- 2. Drehen Sie die Aufnahmescheibe, bis ihre Kerbe sich mit der Kerbe am Antriebsgehäuse deckt.
- 3. Führen Sie den Rundstift durch beide Kerben ein, so dass die Aufnahmescheibe nicht gedreht werden kann.
- 4. Bringen Sie den Nylonfadenkopf an, indem Sie ihn entgegen dem Uhrzeigersinn drehen.
- 5. Entfernen Sie den Rundstift nach der Montage des Nylonfadenkopfes.

Zum Demontieren des Nylonfadenkopfes sind die obigen Schritte umgekehrt anzuwenden.

BETRIEB

Korrekte Handhabung des Gerätes (Abb. 13)

Korrekte Haltung

⚠️ WARNUNG:

- **Halten Sie das Gerät immer auf Ihrer rechten Seite, so dass sich die Sperre immer vor Ihrem Körper befindet.** Korrekte Haltung des Gerätes gewährleistet maximale Kontrolle und verringert die Gefahr von durch Rückstoß verursachten schweren Verletzungen.

⚠️ VORSICHT:

- **Falls das Schneidwerkzeug während des Betriebs versehentlich gegen einen Stein oder ein hartes Objekt stößt, halten Sie das Gerät an, und überprüfen Sie es auf Beschädigung. Falls das Schneidwerkzeug beschädigt wird, ist es sofort auszuwechseln.** Die Verwendung eines beschädigten Schneidwerkzeugs kann zu schweren Verletzungen führen.

Legen Sie den Schultergurt auf Ihre linke Schulter, indem Sie Ihren Kopf und den rechten Arm hindurch stecken, und halten Sie das Gerät auf Ihrer rechten Seite, während Sie die Sperre stets vor Ihrem Körper halten.

Anbringung des Schultergurts (Abb. 14)

Stellen Sie die Gurtlänge so ein, dass das Schneidwerkzeug parallel zum Boden gehalten wird. Schließen Sie den Gurt an den Aufhänger an.

⚠️ WARNUNG:

- **Lassen Sie äußerste Sorgfalt walten, um immer die Kontrolle über das Gerät zu behalten. Achten Sie darauf, dass das Gerät nicht zu Ihnen oder einer anderen Person im Arbeitsbereich abgelenkt wird.** Verlust der Kontrolle über das Gerät kann zu schweren Verletzungen von Umstehenden und Bediener führen.

Einstellung der Aufhängerposition und des Schultergurts (Abb. 15)

Stellen Sie die Aufhängerposition gemäß der Abbildung ein. (Abb. 16)

Um die Aufhängerposition zu ändern, lösen Sie die Schraube am Aufhänger. Verschieben Sie dann den Aufhänger.

Nachdem Sie die Aufhängerposition eingestellt haben, ziehen Sie die Schraube mit dem Schraubenschlüssel fest.

WARTUNG

⚠️ WARNUNG:

- **Vergewissern Sie sich vor der Durchführung von Überprüfungen oder Wartungsarbeiten stets, dass das Gerät ausgeschaltet und vom Stromnetz getrennt ist.** Wird das Gerät nicht ausgeschaltet und vom Stromnetz getrennt, kann es zu schweren Verletzungen durch versehentliches Anlaufen kommen.

BEMERKUNG:

- Verwenden Sie auf keinen Fall Benzin, Benzol, Verdünnern, Alkohol oder dergleichen. Solche Mittel können Verfärbung, Verformung oder Rissbildung verursachen.

Auswechseln des Nylonfadens (Abb. 17)

⚠️ WARNUNG:

- **Vergewissern Sie sich vor dem Betrieb, dass der Nylonfadenkopf einwandfrei am Gerät befestigt ist.** Wird der Nylonfadenkopf nicht richtig gesichert, kann er auseinander fliegen, was schwere Verletzungen zur Folge haben kann.

1. Entfernen Sie den Nylonfadenkopf.
2. Nehmen Sie die Abdeckung ab, indem Sie die zwei gegenüber liegenden Klinken im geschlitzten Abschnitt an der Seite des Bechers drücken.
3. Entfernen Sie die Spule. Entfernen Sie den alten Nylonfaden von der Spule.
4. Schneiden Sie einen Nylonfaden auf 3 – 6 m Länge ab. Falten Sie den Schneidfaden in zwei Hälften, wobei Sie eine Hälfte 80 – 100 mm länger als die andere lassen. (Abb. 18)
5. Haken Sie die Mitte des neuen Nylonfadens in die Kerbe in der Mitte der Spule zwischen den beiden für den Nylonfaden vorgesehenen Kanälen ein. (Abb. 19)
6. Wickeln Sie beide Enden in Richtung der Pfeilmarke entlang den Kanälen fest auf die Spule. (Abb. 20)
7. Ziehen Sie die Nylonfäden durch die Ösen, so dass sie aus dem Becher herausragen.
8. Richten Sie den Vorsprung an der Unterseite der Abdeckung auf die Schlitzlöcher der Ösen aus. Drücken Sie dann die Abdeckung zur Sicherung fest auf den Becher. Vergewissern Sie sich, dass die Klinken in der Abdeckung vollständig gespreizt sind.

Um die SICHERHEIT und ZUVERLÄSSIGKEIT dieses Produkts zu gewährleisten, sollten Reparaturen und andere Wartungs- oder Einstellarbeiten nur von autorisierten Makita-Kundendienstzentren unter ausschließlicher Verwendung von Makita-Originalersatzteilen ausgeführt werden.

WARTUNGSINTERVALL

Teile:	Intervall:	Prüfpunkte:
Netzkabel	Vor jedem Gebrauch	Unterziehen Sie das Teil einer Sichtprüfung auf übermäßigen Verschleiß oder Beschädigung. Wenden Sie sich bei Beschädigung bezüglich einer Reparatur an Ihr örtliches Service-Center.
Zusatzgriffschraube	Vor jedem Gebrauch	Prüfen Sie, ob die Schraube locker ist. Ziehen Sie die Schraube fest, falls sie locker ist. Ersetzen Sie die Schraube, falls sie beschädigt ist.
Schneidwerkschutz (Schutzhaube)	Vor jedem Gebrauch	Prüfen Sie die Schraube auf Lockerheit oder die Schutzhaube auf Beschädigung. Ziehen Sie die Schraube fest, falls sie locker ist. Ersetzen Sie die Schutzhaube, falls sie beschädigt ist.
Schneidblatt	Alle 10 Betriebsstunden	Nach jedem Gebrauch mit Korrosionsschutzöl schmieren. Prüfen Sie, ob das Teil beschädigt ist. Ersetzen Sie das Teil, falls es beschädigt ist.
Nylonfadenkopf	Alle 10 Betriebsstunden	Unterziehen Sie das Teil einer Sichtprüfung auf übermäßigen Verschleiß oder Beschädigung. Ersetzen Sie das Teil, falls es beschädigt ist.
Getriebewelle	Alle 10 Betriebsstunden	Mit Korrosionsschutzöl schmieren.

FEHLERSUCHE

Bevor Sie den Reparaturdienst anrufen, führen Sie zunächst Ihre eigene Inspektion durch. Falls Sie ein Problem finden, das nicht in der Anleitung erläutert wird, versuchen Sie nicht, das Gerät zu zerlegen. Wenden Sie sich statt dessen an eine autorisierte Makita-Kundendienststelle, und achten Sie darauf, dass stets Makita-Ersatzteile für Reparaturen verwendet werden.

Störungszustand	Ursache	Abhilfemaßnahme
Der Motor läuft nicht.	Der Netzstecker ist nicht eingesteckt.	Den Netzstecker einstecken.
	Das Netzkabel ist beschädigt.	Wenden Sie sich bezüglich einer Reparatur an Ihr autorisiertes Service-Center.
	Das Antriebssystem funktioniert nicht korrekt.	
Der Motor bleibt nach kurzer Zeit stehen.	Überhitzung.	Brechen Sie die Benutzung des Gerätes ab, um es abkühlen zu lassen.
Die Maximaldrehzahl wird nicht erreicht.	Das Antriebssystem funktioniert nicht korrekt.	Wenden Sie sich bezüglich einer Reparatur an Ihr autorisiertes Service-Center.
Das Schneidwerkzeug dreht sich nicht: Das Gerät unverzüglich stoppen!	Ein Fremdkörper, wie z. B. ein Ast, klemmt zwischen Schutzhaube und Schneidwerkzeug.	Den Fremdkörper entfernen.
	Die Schneidblatt-Sicherungsmutter ist locker.	Die Mutter gemäß der Beschreibung in dieser Anleitung einwandfrei festziehen.
	Das Schneidblatt ist verbogen.	Das Schneidblatt auswechseln.
	Das Antriebssystem funktioniert nicht korrekt.	Wenden Sie sich bezüglich einer Reparatur an Ihr autorisiertes Service-Center.
Ungewöhnliche Vibration: Das Gerät unverzüglich stoppen!	Ein Ende des Nylonfadens ist beschädigt.	Klopfen Sie den Nylonfadenkopf auf den Boden, während er sich dreht, um Ausziehen des Fadens zu bewirken.
	Das Schneidblatt ist verbogen, gerissen oder verschlissen.	Das Schneidblatt auswechseln.
	Die Schneidblatt-Sicherungsmutter ist locker.	Die Mutter gemäß der Beschreibung in dieser Anleitung einwandfrei festziehen.
	Das Schneidblatt ist nicht richtig befestigt.	
Das Antriebssystem funktioniert nicht korrekt.	Wenden Sie sich bezüglich einer Reparatur an Ihr autorisiertes Service-Center.	
Schneidwerkzeug und Motor bleiben nicht stehen: Ziehen Sie sofort den Netzstecker ab!	Funktionsstörung der Elektrik oder Elektronik.	Ziehen Sie den Netzstecker ab, und wenden Sie sich bezüglich einer Reparatur an Ihr autorisiertes Service-Center.

SONDERZUBEHÖR



VORSICHT:

- Die folgenden Zubehörteile oder Vorrichtungen werden für den Einsatz mit dem in dieser Anleitung beschriebenen Makita-Gerät empfohlen. Die Verwendung anderer Zubehörteile oder Vorrichtungen kann eine Verletzungsgefahr darstellen. Verwenden Sie Zubehörteile oder Vorrichtungen nur für ihren vorgesehenen Zweck.

Wenn Sie weitere Einzelheiten bezüglich dieser Zubehörteile benötigen, wenden Sie sich bitte an Ihre Makita-Kundendienststelle.

- Schneidblatt
- Nylonfadenkopf
- Nylonfaden (Schneidfaden)
- Schultergurt

HINWEIS:

- Manche Teile in der Liste können als Standardzubehör im Gerätesatz enthalten sein. Sie können von Land zu Land unterschiedlich sein.

Spiegazione della visione generale

1	Fermacavo	9	Protezione attrezzo di taglio (protezione)	19	Barra rotonda
2	Cavo di alimentazione (la forma potrebbe differire da Paese a Paese)	10	Attrezzo di taglio	20	Lama
3	Manico posteriore	11	Tracolla	21	Rondella di serraggio
4	Leva di sblocco	12	Cuscinetto	22	Coppa
5	Interruttore	13	Area di taglio più efficiente	23	Dado
6	Manico anteriore	14	Manico	24	Testa di taglio in nailon
7	Gancio (punto di sospensione)	15	Parte di gomma	25	Taglio di corda
8	Barriera	16	Protezione interna	26	Coperchio
		17	Protezione esterna	27	Gancio
		18	Rondella di ricezione	28	80 – 100 mm
				29	Rocchetto

DATI TECNICI

Modello	UR2300	UR3502
Tipo di manico	Manico ad anello	
Lunghezza totale	1.630 mm	
Ingresso nominale continuo	1.000 W	
Velocità senza carico	5.700 min ⁻¹	5.700 min ⁻¹
Attrezzo di taglio	Lama di taglio	Testa di taglio in nailon
Larghezza di taglio	230 mm	350 mm
Peso netto	4,7 kg	4,9 kg
Classe di sicurezza	II/II	

- Per il nostro continuo programma di ricerca e sviluppo, i dati tecnici qui riportati sono soggetti a modifiche senza avviso.
- I dati tecnici potrebbero differire da Paese a Paese.
- Peso secondo la procedura EPTA 01/2003

Rumore	Livello medio di pressione sonora		Livello medio di potenza sonora		Standard applicabile
	L _{PA} (dB(A))	Incertezza K (dB(A))	L _{WA} (dB(A))	Incertezza K (dB(A))	
Attrezzo di taglio					EN 60335-1, EN 50636-2-91, EN ISO 11806
Lama di taglio	80,8	2,5	93,45	1,23	
Testa di taglio in nailon	85,3	2,5	93,84	1,58	

- Portare la protezione delle orecchie.

Vibrazione	Impugnatura anteriore		Impugnatura posteriore		Standard applicabile
	a _h (m/s ²)	Incertezza K (m/s ²)	a _h (m/s ²)	Incertezza K (m/s ²)	
Attrezzo di taglio					EN 60335-1, EN 50636-2-91, EN ISO 11806
Lama di taglio	2,856	1,5	2,712	1,5	
Testa di taglio in nailon	2,768	1,5	2,694	1,5	

- Il valore di emissione delle vibrazioni dichiarato è stato misurato in conformità con il metodo di test standard, e potrebbe essere usato per paragonare un utensile con un altro.
- Il valore di emissione delle vibrazioni dichiarato potrebbe anche essere usato per una valutazione preliminare alla esposizione.

AVVERTIMENTO:

- L'emissione delle vibrazioni durante l'utilizzo effettivo dell'utensile elettrico può differire dal valore dichiarato di emissione a seconda dei modi in cui l'utensile elettrico viene usato.
- Identificare le misure di sicurezza per la protezione dell'operatore basate sulla stima alla esposizione nelle condizioni reali d'utilizzo (tenendo conto di tutte le parti del ciclo operativo, come il numero di volte che l'utensile viene spento e quando esso gira a vuoto, oltre al tempo di funzionamento).

Simboli

Quanto segue mostra i simboli usati per l'attrezzatura. Accertarsi di aver capito il loro significato prima dell'uso.



- Usare una particolare cura e attenzione.



- Leggere il manuale di istruzioni.



- Pericolo: fare attenzione agli oggetti scagliati.



- La distanza tra l'utensile e gli astanti deve essere di almeno 15 m.



- Tenere lontani gli astanti.



- Indossare un casco, occhiali di sicurezza e protezione delle orecchie.



- Indossare guanti di protezione.



- Calzare stivaletti solidi con soles antiscivolo. Si consigliano stivaletti di sicurezza con punte di acciaio.



- Non esporre all'umidità.



- Staccare la spina del cavo di alimentazione dalla presa di corrente se il cavo è danneggiato o impigliato.



- Evitare i contraccolpi.



- Mantenere una distanza di almeno 15 m.



- **DOPPIO ISOLAMENTO**



- Per i Paesi UE soltanto
Non disfarsi degli apparecchi elettrici insieme con i rifiuti domestici!
In conformità della Direttiva Europea sugli apparecchi elettrici ed elettronici di scarto e alla sua osservanza secondo la legge in vigore, gli apparecchi elettrici che hanno raggiunto la fine della loro vita di servizio devono essere raccolti separatamente e portati a un impianto di riciclaggio compatibile con l'ambiente.

DICHIARAZIONE DI CONFORMITÀ CE

Solo per i paesi europei

La dichiarazione di conformità CE è inclusa come Allegato A al presente manuale di istruzioni.

Avvertenze generali di sicurezza per l'uso dell'utensile

⚠ AVVERTIMENTO Leggere attentamente tutte le avvertenze di sicurezza e le istruzioni. La mancata osservanza delle istruzioni e delle avvertenze riportate di seguito potrebbe provocare scosse elettriche, incendi e/o lesioni gravi.

Conservare le avvertenze e le istruzioni per riferimenti futuri.

Il termine "macchina utensile" utilizzato nelle avvertenze indica la macchina utensile ad alimentazione elettrica o a batteria.

Sicurezza nell'area di lavoro

1. **Mantenere l'area di lavoro pulita e ben illuminata.** Nelle aree disordinate e scure è più probabile che si verifichino incidenti.
2. **Non azionare macchine utensili in ambienti esplosivi, ad esempio in presenza di liquidi, gas o polveri infiammabili.** Le macchine utensili creano scintille che possono incendiare gas e polveri.
3. **Mantenere a distanza di sicurezza bambini e osservatori durante l'utilizzo della macchina utensile.** Le distrazioni possono indurre a perdere il controllo.

Sicurezza elettrica

4. **Le spine della macchina utensile devono corrispondere alla presa. Non modificare mai la spina. Non utilizzare nessun adattatore intermedio per le macchine utensili con messa a terra.** Spine intatte e corrispondenti alle prese riducono il rischio di scosse elettriche.
5. **Evitare il contatto del corpo con superfici collegate a terra, ad esempio tubature, termosifoni, cucine elettriche e frigoriferi.** Se il proprio corpo è collegato a terra, il rischio di scossa elettrica è maggiore.
6. **Non esporre le macchine utensili alla pioggia o al bagnato.** Eventuali infiltrazioni di acqua nella macchina utensile aumentano il rischio di scosse elettriche.
7. **Non torcere il cavo. Non usare mai il cavo per trasportare, tirare o scollegare la macchina utensile. Mantenere il cavo lontano da calore, olio, bordi taglienti o parti in movimento.** Cavi danneggiati o attorcigliati aumentano il rischio di scosse elettriche.
8. **Se la macchina utensile viene utilizzata all'esterno, servirsi di una prolunga idonea a tale uso.** Un cavo adatto per l'utilizzo all'esterno riduce il rischio di scosse elettriche.
9. **Se la macchina utensile viene utilizzata in un luogo umido, utilizzare un'alimentazione dotata di un dispositivo per corrente residua (RCD).** L'uso di un dispositivo RCD riduce il rischio di scosse elettriche.
10. **Si consiglia l'uso di un'alimentazione tramite dispositivo RCD con una corrente residua nominale di 30 mA o inferiore.**

Sicurezza personale

11. **Quando si utilizza una macchina utensile è necessario rimanere vigili, osservare quello che si sta facendo e operare con prudenza. Non utilizzare una macchina utensile quando si è stanchi o sotto l'influenza di droghe, alcool o farmaci.** Un momento di disattenzione durante l'utilizzo delle macchine utensili può provocare lesioni personali gravi.
 12. **Indossare indumenti protettivi. Indossare sempre una protezione per gli occhi.** I dispositivi di protezione, come maschere antipolvere, calzature antinfortunistiche e antiscivolo, elmetti o protezioni acustiche, ridurranno il rischio di lesioni personali se usati nelle adeguate circostanze.
 13. **Evitare accensioni accidentali. Verificare che l'interruttore si trovi nella posizione OFF prima di accendere la macchina utensile e/o la batteria, riavviare o trasportare l'utensile.** Se le macchine utensili vengono trasportate con il dito sull'interruttore o se vengono collegate all'alimentazione con l'interruttore nella posizione ON, possono verificarsi incidenti.
 14. **Prima di accendere la macchina utensile, rimuovere qualsiasi strumento di regolazione o chiave.** Una chiave o un utensile fissati ad un elemento rotante della macchina utensile possono provocare lesioni personali.
 15. **Non allungarsi eccessivamente. Mantenere sempre un equilibrio e un punto d'appoggio adeguati.** Questo consente un controllo migliore della macchina utensile in situazioni impreviste.
 16. **Vestirsi adeguatamente. Non portare abiti o oggetti che possano rimanere impigliati. Mantenere i capelli, i vestiti e i guanti lontano dalle parti mobili.** Abiti svolazzanti, oggetti o capelli lunghi possono rimanere impigliati nelle parti mobili.
 17. **Se vengono forniti dispositivi per il collegamento di sistemi di raccolta ed estrazione della polvere, verificare che vengano collegati e utilizzati correttamente.** L'uso di tali dispositivi riduce i rischi causati dalla polvere.
- ### Uso e cura delle macchine utensili
18. **Non forzare le macchine utensili. Utilizzare la macchina utensile corretta per la propria applicazione.** La macchina utensile corretta consentirà di lavorare nelle migliori condizioni ed in modo più sicuro alla velocità per cui è stata progettata.
 19. **Non utilizzare la macchina utensile se non è possibile spegnerla o accenderla con l'interruttore.** Qualsiasi macchina utensile che non possa essere controllata con l'interruttore è pericolosa e deve essere riparata.
 20. **Prima di apportare qualsiasi regolazione, cambiare gli accessori o riporre la macchina disinserire la spina dall'alimentazione e/o la batteria dalla macchina utensile.** Queste misure di sicurezza preventive riducono il rischio di accensioni accidentali della macchina utensile.
 21. **Conservare le macchine utensili inattive fuori dalla portata dei bambini e non consentirne l'uso a persone non pratiche o che non hanno familiarità con queste istruzioni.** Le macchine utensili sono pericolose nelle mani di utenti non adeguatamente informati.

22. **Manutenzione delle macchine utensili.** Controllare eventuali disallineamenti o blocchi delle parti mobili, la rottura di parti e qualsiasi altra circostanza che possa influenzare il funzionamento delle macchine utensili. Se danneggiata, fare riparare la macchina utensile prima di utilizzarla nuovamente. Molti incidenti vengono causati da macchine utensili prive di adeguata manutenzione.
23. **Mantenere gli utensili per il taglio affilati e puliti.** Utensili per il taglio tenuti in perfetta efficienza e con bordi della lama taglienti sono meno inclini a bloccarsi e sono più facili da controllare.
24. **Usare la macchina utensile, gli accessori, le punte per utensili e così via conformemente a queste istruzioni, tenendo conto delle condizioni di lavoro e del lavoro da eseguire.** L'uso della macchina utensile per operazioni diverse da quelle previste potrebbe provocare situazioni pericolose.

Riparazioni

25. **Fare riparare la macchina utensile da un tecnico qualificato ed utilizzare solo parti di ricambio identiche a quelle sostituite.** In tal modo la macchina utensile viene mantenuta in condizioni operative di sicurezza.
26. **Seguire le istruzioni relative alla lubrificazione e alla sostituzione degli accessori.**
27. **Mantenere le impugnature asciutte e pulite evitando di macchiarle di olio o grasso.**

ISTRUZIONI IMPORTANTI PER LA SICUREZZA

⚠ AVVERTIMENTO! Leggere tutti gli avvertimenti per la sicurezza e tutte le istruzioni. La mancata osservanza degli avvertimenti e delle istruzioni può causare scosse elettriche, incendio e/o gravi incidenti.

Conservare tutti gli avvertimenti e le istruzioni per futuri riferimenti.

Utilizzo prefissato

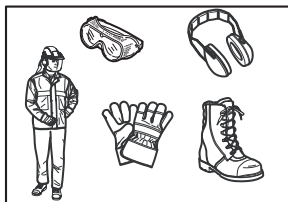
1. Questo tosaerba/tagliasiepi/rifilatore a nastro è progettato soltanto per tagliare l'erba, le erbacce, i cespugli e gli arbusti. Esso non deve essere usato per un qualsiasi altro scopo diverso, come la rifinitura o il taglio delle recinzioni, perché ciò potrebbe causare incidenti.

Istruzioni generali

1. L'uso di questo utensile non deve essere mai permesso a chi non si è familiarizzato con queste istruzioni, alle persone (bambini compresi) con capacità fisiche, sensoriali o mentali ridotte, o senza esperienza e conoscenza. I bambini devono essere sorvegliati, per assicurarsi che non giochino con l'utensile.
2. Prima di avviare l'utensile, leggere questo manuale di istruzioni per familiarizzarsi con il suo modo di utilizzo.
3. L'utensile non deve essere prestato a una persona con esperienza o conoscenza insufficiente sull'uso dei tagliasiepi e rifilatori a nastro.
4. Quando si presta l'utensile, allegare sempre questo manuale di istruzioni.
5. Maneggiare l'utensile con la massima cura e attenzione.
6. L'utensile non deve mai essere usato dopo il consumo di alcol o di medicine, oppure se si è stanchi o non si sente bene.

7. Non si deve mai cercare di modificare l'utensile.
8. Fare attenzione agli incidenti causati da un qualsiasi dispositivo montato per ridurre la lunghezza della corda di taglio. Dopo aver esteso una nuova corda di taglio, riportare sempre l'utensile alla sua condizione operativa normale prima di accenderlo.
9. Seguire le norme locali sull'utilizzo dei tagliasiepi e dei rifilatori a nastro.

Equipaggiamento personale di protezione



1. Indossare un casco di sicurezza, occhiali e guanti di protezione per proteggersi dai frammenti scagliati o da oggetti che cadono.
2. Portare protezioni delle orecchie, come tamponi per orecchie, per evitare la perdita dell'udito.
3. Per lavorare con sicurezza, indossare abiti e scarpe di protezione, come una tuta e scarpe robuste con soles antiscivolo. Non indossare abiti ampi o gioielli. Gli abiti ampi, i gioielli o i capelli lunghi possono essere attirati nelle parti mobili.
4. Indossare guanti di protezione se si tocca la lama di taglio. Le lame di taglio possono tagliare seriamente le mani nude.

Sicurezza dell'area di lavoro

1. Usare l'utensile soltanto in buone condizioni di visibilità e di giorno. Non usarlo al buio o nella nebbia.
2. Non usare l'utensile in atmosfere esplosive, come in presenza di liquidi, gas o polveri infiammabili. L'utensile crea delle scintille che potrebbero dar fuoco alla polvere o fumi.
3. Non si deve mai lavorare stando su una superficie instabile o scivolosa, o su un pendio ripido. In inverno, fare attenzione al ghiaccio e alla neve, e assicurare sempre l'appoggio saldo dei piedi.
4. Durante il lavoro, tenere gli astanti o gli animali ad almeno 15 metri di distanza dall'utensile. Fermare l'utensile non appena qualcuno si avvicina.
5. Prima di cominciare, controllare se nell'area dove si lavora ci sono sassi o altri oggetti solidi. Essi possono essere scagliati o causare pericolosi contraccolpi, con conseguenti gravi incidenti e/o danni alle proprietà.
6. **⚠ AVVERTIMENTO:** L'uso di questo prodotto può creare polveri contenenti sostanze chimiche che potrebbero causare problemi respiratori o altre infermità. Alcuni esempi di queste sostanze chimiche sono i composti che si trovano nei pesticidi, insetticidi, fertilizzanti ed erbicidi. Il pericolo a queste esposizioni varia secondo la frequenza di questo tipo di lavoro. Per ridurre l'esposizione a queste sostanze chimiche: lavorare in un luogo ben ventilato e con l'equipaggiamento di sicurezza consigliato, come le mascherine antipolvere progettate appositamente per filtrare le particelle microscopiche.

Sicurezza elettrica

1. **La spina del cavo di alimentazione deve essere adatta alla presa di corrente. Non si deve mai modificare la spina in alcun modo. Non utilizzare nessuna spina adattatrice per le macchine utensili con messa a terra (a massa).** Le spine non modificate e le prese di corrente appropriate riducono il rischio di scosse elettriche.
2. **Evitare il contatto del corpo con le superfici a terra o a massa, come tubi, radiatori, forni e frigoriferi.** Se il corpo è a terra o a massa, c'è un pericolo maggiore di scosse elettriche.
3. Non esporre l'utensile alla pioggia o al bagnato. L'acqua che entra nell'utensile aumenta il rischio di scosse elettriche.
4. **Non trattare malamente il cavo di alimentazione. Il cavo di alimentazione non deve mai essere usato per trasportare, tirare o staccare l'utensile elettrico dalla presa di corrente. Tenere il cavo di alimentazione lontano dal calore, olio, bordi taglienti o parti mobili.** I cavi danneggiati o impigliati aumentano il rischio di scosse elettriche.
5. Non usare l'utensile se l'interruttore non lo accende e spegne. Gli utensili che non possono essere controllati con l'interruttore sono pericolosi e devono essere riparati.
6. **Per lavorare con l'utensile elettrico all'aperto, usare un cavo di prolunga adatto per l'uso all'aperto.** L'impiego di un cavo adatto per l'uso all'aperto riduce il rischio di scosse elettriche.
7. **Se non si può fare a meno di usare un utensile elettrico in un luogo bagnato, usare una fonte di alimentazione protetta da un dispositivo a corrente residua (RCD).** L'impiego di un dispositivo a corrente residua riduce il rischio di scosse elettriche.
8. **Si consiglia di usare sempre la fonte di alimentazione mediante un dispositivo a corrente residua con una corrente residua nominale di 30 mA o meno.**
9. Ciò evita l'avviamento involontario. Accertarsi che l'interruttore sia disattivato prima di collegare l'utensile alla fonte di alimentazione, di prenderlo in mano o di trasportarlo. Se si trasportano gli utensili elettrici con il dito sull'interruttore, o si dà la corrente agli utensili elettrici che hanno l'interruttore attivato, si invitano gli incidenti.
10. Prima dell'uso, controllare che la fonte di alimentazione e il cavo di prolunga non presentino segni di danni o invecchiamento.
11. Se il cavo di alimentazione si danneggia durante l'uso, scollegarlo immediatamente dalla fonte di alimentazione. **Non toccare il cavo prima di scollegare l'utensile dalla fonte di alimentazione.**
12. Non usare l'utensile se i cavi sono danneggiati o usurati.
13. Tenere il cavo di prolunga lontano dagli elementi di taglio.

Preparativi per l'uso

1. Prima di montare o di regolare l'utensile, staccare la spina dalla fonte di alimentazione.
2. Indossare guanti di protezione prima di toccare la lama di taglio.

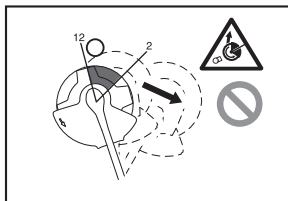
3. Prima di collegare la spina del cavo di alimentazione alla presa di corrente, controllare che l'utensile non sia danneggiato, che non ci siano viti/dadi allentati o che non sia stato montato in modo sbagliato. Affilare la lama di taglio se smussata. Sostituire la lama di taglio se è storta o danneggiata. Controllare che tutte le leve e gli interruttori di controllo funzionino correttamente. Pulire e asciugare i manici.
4. Non si deve mai cercare di accendere l'utensile se è danneggiato o non è stato montato completamente. C'è altrimenti il pericolo di un grave incidente.
5. Rimuovere ogni chiave o attrezzo di regolazione prima di accendere l'utensile. Un attrezzo o chiave che rimangono attaccati a una parte rotante possono causare un incidente.
6. La tracolla e il manico devono essere regolati secondo il fisico dell'operatore.
7. Collegando la spina del cavo di alimentazione alla presa di corrente, tenere l'accessorio di taglio lontano dal corpo e altri oggetti, compreso il suolo. Esso potrebbe girare all'avviamento e causare incidenti o danneggiare l'utensile e/o proprietà.

Funzionamento

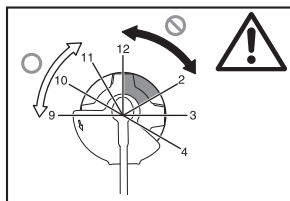
1. In una emergenza, spegnere immediatamente l'utensile.
2. Spegnere l'utensile se durante il lavoro si avverte una condizione inusuale (per es., rumore, vibrazione). Non usare l'utensile finché non si conosce la causa e la si rimedia.
3. Avvertimento. L'accessorio di taglio continua a ruotare per un breve periodo di tempo dopo lo spegnimento dell'utensile. Non affrettare il contatto con l'accessorio di taglio.
4. Lavorare usando la tracolla. Tenere saldamente l'utensile sul proprio lato destro.
5. Non protendersi troppo. Mantenere sempre un appoggio dei piedi e un equilibrio del corpo appropriati. Fare attenzione agli ostacoli nascosti, come i ceppi, radici e fossati, per evitare di inciampare.
6. Per evitare una perdita di controllo, non si deve mai lavorare su una scala a pioli o su un albero.
7. Prima di usare l'utensile e dopo un qualsiasi duro colpo o caduta, controllarne la condizione prima di continuare a lavorare. Accertarsi che i controlli e i dispositivi di sicurezza funzionino correttamente. In caso di un qualsiasi danno o dubbio, chiedere a un centro di assistenza autorizzato di eseguire l'ispezione o riparazione.
8. Non toccare la scatola dell'ingranaggio. La scatola dell'ingranaggio diventa molto calda durante l'utilizzo dell'utensile.
9. Riposare per evitare una perdita di controllo causata dalla fatica. Si consiglia di riposare da 10 a 20 minuti ogni ora.
10. Se si lascia l'utensile, anche per un breve periodo di tempo, staccare sempre la spina del cavo di alimentazione dalla presa di corrente. L'utensile non sorvegliato con la spina del cavo di alimentazione collegata alla presa di corrente potrebbe essere maneggiato da persone non autorizzate e causare un grave incidente.
11. Se erba o rami rimangono incastrati tra l'accessorio di taglio e la protezione, spegnere sempre l'utensile e staccare la spina del cavo di alimentazione dalla presa di corrente prima di pulire. L'accessorio di taglio potrebbe altrimenti girare accidentalmente e causare un grave incidente.

12. Spegnerne immediatamente l'utensile se l'accessorio di taglio sbatte contro sassi o altri oggetti duri. Staccare poi la spina del cavo di alimentazione dalla presa di corrente e ispezionare l'accessorio di taglio.
13. Controllare frequentemente l'accessorio di taglio per crepe o danni durante il lavoro. Prima dell'ispezione, staccare la spina del cavo di alimentazione dalla presa di corrente e aspettare finché l'accessorio di taglio si è fermato completamente. Sostituire immediatamente l'accessorio di taglio danneggiato, anche se le crepe sono soltanto superficiali.
14. Non si deve mai tagliare al di sopra dell'altezza della vita.
15. Prima di cominciare a tagliare, aspettare finché l'accessorio di taglio raggiunge una velocità costante dopo l'accensione.
16. Usando lame metalliche, spostare l'utensile uniformemente in semicerchio da destra a sinistra, come usando una falce.
17. Tenere l'utensile soltanto per le superfici di presa isolate, perché la lama di taglio potrebbe fare contatto con fili elettrici nascosti. Le lame di taglio che fanno contatto con fili elettrici "sotto tensione" potrebbero mettere "sotto tensione" le parti metalliche esposte dell'utensile e dare una scossa elettrica all'operatore.
18. Accertarsi sempre che le aperture di ventilazione siano libere da ostruzioni.

2. Il contraccolpo si verifica soprattutto quando si applica il segmento della lama nella direzione compresa tra le 12 e le 2 dell'orologio su oggetti solidi, cespugli e alberi con un diametro di 3 cm o maggiore.



3. Per evitare i contraccolpi:
 - Applicare il segmento nella direzione compresa tra le 8 e le 11 dell'orologio.
 - Non si deve mai applicare il segmento nella direzione compresa tra le 12 e le 2 dell'orologio.
 - Non si deve mai applicare il segmento nelle direzioni comprese tra le 11 e le 12 e le 2 e le 5 dell'orologio, a meno che l'operatore non sia bene addestrato ed esperto e lo faccia a suo rischio e pericolo.
 - Non si devono mai usare le lame di taglio vicino a oggetti solidi, come recinzioni, muri, tronchi d'albero e sassi.
 - Non si devono mai usare le lame di taglio verticalmente, per operazioni come la rifinitura o il taglio delle recinzioni.



Accessori di taglio

1. Usare un accessorio di taglio adatto al lavoro da eseguire.
 - Le teste di taglio in nailon (teste rifilatori a nastro) sono adatte per falciare l'erba dei prati.
 - Le lame metalliche sono adatte per tagliare le erbacce, le erbe alte, i cespugli, gli arbusti, le sterpaglie, i roveti, e simili.
 - Non si devono mai usare altre lame, comprese le catene pivotanti multipezzi e lame correggiate metalliche. C'è il pericolo di un grave incidente.
2. Usare sempre correttamente la protezione dell'accessorio di taglio appropriata all'accessorio di taglio usato.
3. Non si devono mai montare elementi di taglio metallici sui modelli di taglio in nailon.
4. Usando le lame metalliche, evitare i "contraccolpi" e stare sempre preparati per un contraccolpo accidentale. Vedere la sezione "Contraccolpo".

Contraccolpo (spintone lama)

1. Il contraccolpo (spintone lama) è una improvvisa reazione a una lama di taglio incastrata o grippata. Quando ciò si verifica, l'utensile viene spinto con grande forza di lato o verso l'operatore, e potrebbe causare un grave incidente.

Vibrazione

1. Le persone con una circolazione del sangue scarsa esposte a eccessive vibrazioni potrebbero subire danni ai vasi sanguigni o al sistema nervoso. Le vibrazioni potrebbero causare il verificarsi dei sintomi seguenti alle dita, mani o polsi: "Addormentamento" (intorpidimento), formicolio, dolore, sensazione di fitte, alterazione del colore della pelle o della pelle stessa. Rivolgersi a un medico nel caso che si verifichi uno qualsiasi di questi sintomi!
2. Per ridurre il rischio della "malattia delle dita bianche", tenere calde le mani durante il lavoro e mantenere in buone condizioni l'utensile e gli accessori.

Trasporto

1. Prima di trasportare l'utensile, spegnerlo e staccare la spina del cavo di alimentazione dalla presa di corrente. Attaccare il coperchio alla lama di taglio.
2. Per trasportare l'utensile, mantenerlo in posizione orizzontale tenendolo per il manico.
3. Per trasportare l'utensile in un veicolo, fissarlo saldamente per evitare che si rovesci. Si potrebbe altrimenti danneggiare l'utensile e altri bagagli.

Manutenzione

1. Far riparare l'utensile da un Centro di Assistenza autorizzato, usando sempre soltanto ricambi genuini. La riparazione sbagliata e la scarsa manutenzione possono ridurre la vita di servizio dell'utensile e aumentare il rischio di incidenti.
2. Spegnerne sempre l'utensile e staccare la spina del cavo di alimentazione dalla presa di corrente prima di qualsiasi intervento di manutenzione o riparazione.
3. Mettersi sempre guanti di protezione per maneggiare la lama di taglio.
4. Togliere sempre la polvere e lo sporco dall'utensile. A tale scopo, non si devono mai usare benzina, benzolo, solventi, alcol o altre sostanze similari. Essi potrebbero causare scolorimenti, deformazioni o crepe delle parti di plastica.
5. Stringere le viti e i dadi dopo ciascun utilizzo.
6. Non cercare di eseguire un qualsiasi intervento di manutenzione o riparazione non descritto in questo manuale di istruzioni. Richiedere a un Centro di Assistenza autorizzato tale lavoro.
7. Usare sempre soltanto ricambi e accessori genuini. L'impiego di ricambi e accessori forniti da terzi potrebbe causare la rottura dell'utensile, danni a proprietà e/o gravi incidenti.
8. Richiedere a un Servizio di Assistenza autorizzato l'ispezione e la manutenzione dell'utensile a intervalli regolari.

Immagazzinaggio

1. Prima di immagazzinare l'utensile, procedere alla sua completa pulitura e manutenzione. Staccare la spina del cavo di alimentazione dalla presa di corrente. Attaccare il coperchio alla lama di taglio.
2. Conservare l'utensile in un posto asciutto e alto, o chiuso a chiave fuori della portata dei bambini.
3. Non appoggiare l'utensile a qualcosa, come una parete. Potrebbe altrimenti cadere improvvisamente e causare un incidente.

Pronto soccorso

1. Avere sempre vicino una cassetta di pronto soccorso. Sostituire immediatamente qualsiasi articolo prelevato dalla cassetta di pronto soccorso.
2. Quando si chiede aiuto, fornire le informazioni seguenti:
 - Luogo dell'incidente
 - Cosa è successo
 - Numero di feriti
 - Natura delle ferite
 - Il proprio nome

CONSERVARE QUESTE ISTRUZIONI.

AVVERTIMENTO:

NON lasciare che comodità o la familiarità d'utilizzo con il prodotto (acquisita con l'uso ripetuto) sostituisca la stretta osservanza delle norme di sicurezza. L'USO SBAGLIATO o la mancata osservanza delle norme di sicurezza di questo manuale di istruzioni potrebbe causare un serio incidente.

DESCRIZIONE DELLE PARTI (Fig. 1)

DESCRIZIONE FUNZIONALE

AVVERTIMENTO:

- **Accertarsi sempre che l'utensile sia spento e staccato dalla presa di corrente prima di regolarlo o di controllare le sue funzioni.** Se esso non viene spento e staccato dalla presa di corrente, potrebbe causare un grave incidente alle persone a causa del suo avviamento accidentale.

Funzionamento dell'interruttore di corrente (Fig. 2)

AVVERTIMENTO:

- **Prima di collegare l'utensile alla fonte di alimentazione, controllare sempre che l'interruttore funzioni correttamente e che ritorni sulla posizione "OFF" quando viene rilasciato. Non schiacciare con forza l'interruttore senza spingere la leva di sblocco. Ciò potrebbe causare la rottura dell'interruttore.** Il funzionamento dell'utensile con l'interruttore che non funziona correttamente può causare una perdita di controllo e un grave incidente.

Questo utensile è dotato di una leva di sblocco, per evitare che l'interruttore venga schiacciato accidentalmente. Per avviare l'utensile, spingere in avanti la leva di sblocco e schiacciare poi l'interruttore. Rilasciare l'interruttore per fermarlo.

Testa di taglio in nailon (Fig. 3)

AVVISO:

- Non si deve cercare di alimentare con impatto la testa mentre l'utensile funziona agli alti giri del motore. L'alimentazione con impatto agli alti giri del motore potrebbe danneggiare la testa di taglio in nailon.
- L'alimentazione con impatto non funziona correttamente se la testa non sta girando.

NOTA:

- L'accessorio standard varia secondo il modello e il Paese.

La testa di taglio in nailon è una doppia testa tosaerba dotata di un meccanismo di impatto e alimentazione. Per alimentare la corda di nailon, sbattere la testa di taglio contro il suolo mentre essa sta girando.

NOTA:

- Se la corda di nailon non viene alimentata mentre si sbatte la testa, riavvolgere/sostituire la corda di nailon usando le procedure descritte in "Manutenzione".

Fermacavo (Fig. 4)

Formare un piccolo anello con il cavo di alimentazione e appenderlo al fermacavo.

MONTAGGIO

AVVERTIMENTO:

- **Accertarsi che l'utensile sia spento e staccato dalla presa di corrente prima di eseguire un qualsiasi intervento su di esso.** Se esso non viene spento e staccato dalla presa di corrente, potrebbe causare una grave incidente alle persone a causa del suo avviamento accidentale.
- **L'utensile non deve mai essere avviato senza essere stato completamente montato.** Il funzionamento dell'utensile in uno stato di montaggio parziale potrebbe portare a un grave incidente causato dal suo avviamento accidentale.

Installazione del manico (Fig. 5)

AVVERTIMENTO:

- Non rimuovere o contrarre il distanziatore o il cuscinetto. Il distanziatore mantiene una certa distanza tra entrambe le mani. La sistemazione del gruppo impugnatura/barriera vicino all'altra impugnatura oltre la lunghezza del distanziatore potrebbe causare la perdita di controllo dell'utensile e un grave incidente.

Montare il manico e la barriera sulla parte di gomma sul tubo dell'albero. Regolare la posizione del manico, e stringerli poi con quattro bulloni.

Abbinamento approvato dell'attrezzo di taglio e della protezione

AVVERTIMENTO:

- **Usare sempre l'utensile con l'abbinamento approvato dell'attrezzatura di sicurezza.** In caso contrario, il contatto con un attrezzo di taglio potrebbe causare un grave incidente.
- **L'utensile non deve mai essere usato senza la protezione illustrata in posizione.** In caso contrario, c'è il pericolo di un grave incidente.

NOTA:

- L'accessorio standard varia secondo il modello e il Paese.

Per lama di taglio (Fig. 6)

Per testa di taglio in nailon (Fig. 7)

Installazione della protezione della lama di taglio (Fig. 8)

1. Allineare i fori della protezione interna sui fori della scatola dell'ingranaggio.
2. Stringerle poi con tre bulloni.

Installazione della protezione della testa di taglio in nailon

ATTEZIONE:

- Fare attenzione a non ferirsi con la lama per tagliare la corda di nailon.
- Non dimenticare di togliere la protezione della lama prima dell'uso.

1. Allineare i quattro bulloni della protezione esterna sui fori della protezione interna. (Fig. 9)
2. Stringerle con i quattro bulloni.
3. Allineare i fori della protezione interna sui fori della scatola dell'ingranaggio.
4. Stringerle con bulloni. (Fig. 10)

Installazione della lama di taglio

AVVERTIMENTO:

- **Il diametro esterno della lama di taglio deve essere di 230 mm.** Non si deve mai usare una qualsiasi lama con un diametro esterno superiore ai 230 mm.

ATTEZIONE:

- La lama di taglio deve essere ben lucida, senza crepe o rotture. Lucidare o sostituire la lama di taglio dopo ogni tre ore di utilizzo.
- Mettersi sempre i guanti per maneggiare la lama di taglio.
- Montare sempre il coperchio della lama quando non si usa l'utensile o durante il trasporto.
- Il dado di fissaggio della lama di taglio si usura nel corso del tempo. Sostituire il dado se presenta segni di usura o di deformazione. Chiedere la sua ordinazione a un Centro di Assistenza autorizzato vicino.

AVVISO:

- Assicurarsi di usare lame di taglio genuine.

Capovolgere l'utensile in modo da poter sostituire facilmente la lama di taglio. (Fig. 11)

1. Montare la rondella di ricezione sull'asse.
2. Girare la rondella di ricezione finché la tacca della rondella di ricezione viene a trovarsi sulla tacca della scatola dell'ingranaggio.
3. Inserire la barra rotonda attraverso entrambe le tacche, in modo che la rondella di ricezione non possa essere girata.
4. Mettere la lama sulla rondella di ricezione.
5. Mettere la rondella di fissaggio sulla lama.
6. Mettere la coppa sulla lama.
7. Stringerle con il dado girandolo in senso antiorario tenendo ferma la barra rotonda.

Per rimuovere la lama, eseguire al contrario i passi sopra.

Installazione della testa di taglio in nailon (Fig. 12)

AVVISO:

- Accertarsi di usare una testa di taglio in nailon genuina.

Capovolgere l'utensile in modo da poter sostituire facilmente la testa di taglio in nailon.

NOTA:

- Rimuovere il coperchio della testa di taglio di corda prima dell'uso.

1. Montare la rondella di ricezione sull'asse.
2. Girare la rondella di ricezione finché la tacca della rondella viene a trovarsi sulla tacca della scatola dell'ingranaggio.
3. Inserire la barra rotonda attraverso entrambe le tacche, in modo che la rondella di ricezione non possa essere girata.
4. Montare la testa di taglio in nailon girandola in senso antiorario.
5. Rimuovere la bara rotonda dopo l'installazione della testa di taglio in nailon.

Per rimuovere la testa di taglio in nailon, eseguire al contrario i passi sopra.

FUNZIONAMENTO

Maneggiamento corretto dell'utensile (Fig. 13)

Postura corretta

AVVERTIMENTO:

- **Posizionare sempre l'utensile alla propria destra, in modo che la barriera sia sempre davanti al corpo.** Il posizionamento corretto dell'utensile permette il massimo controllo e riduce il rischio di gravi incidenti causati dai contraccolpi.

ATTENZIONE:

- **Se durante il lavoro l'attrezzo di taglio sbatte accidentalmente contro un sasso o altro oggetto duro, fermare l'utensile e controllare se ci sono danni. Sostituire immediatamente l'attrezzo di taglio se è danneggiato.** L'impiego di un attrezzo di taglio danneggiato può causare un grave incidente.

Mettere la tracolla sulla spalla sinistra facendovi passare attraverso la testa e il braccio destro, e tenere l'utensile sulla propria destra mantenendo sempre la barriera davanti al corpo.

Modo di attaccare la tracolla (Fig. 14)

Regolare la lunghezza della cinghia in modo che l'attrezzo di taglio sia mantenuto parallelo al suolo.

Collegare il gancio e la cinghia.

AVVERTIMENTO:

- **Fare particolarmente attenzione a mantenere sempre il controllo dell'utensile. L'operatore non deve lasciare che l'utensile si defletta verso di sé o di chiunque sia nelle vicinanze dove lavora.** Il mancato controllo dell'utensile può causare un grave incidente agli astanti e all'operatore.

Regolazione della posizione del gancio e della tracolla (Fig. 15)

Regolare la posizione del gancio come illustrato. (Fig. 16)

Per cambiare la posizione del gancio, allentare il bullone del gancio. Spostare poi il gancio.

Dopo aver regolato la posizione del gancio, stringere saldamente il bullone con la chiave.

MANUTENZIONE

AVVERTIMENTO:

- **Accertarsi sempre che l'utensile sia spento e staccato dalla presa di corrente prima di cercare di eseguire una ispezione o manutenzione dell'utensile.** Se esso non viene spento e staccato dalla presa di corrente, potrebbe causare un grave incidente alle persone a causa del suo avviamento accidentale.

AVVISO:

- Non si devono mai usare benzina, benzolo, solventi, alcol o altre sostanze simili. Essi potrebbero causare scolorimenti, deformazioni o crepe.

Sostituzione della corda di nailon (Fig. 17)

AVVERTIMENTO:

- **Accertarsi che la testa di taglio in nailon sia fissata correttamente all'utensile prima di farlo funzionare.**

Se la testa di taglio in nailon non è fissata correttamente, potrebbe volare via causando un grave incidente.

1. Rimuovere la testa di taglio in nailon.
2. Togliere il coperchio, premendo i due ganci che sono le sezioni scanalate sui lati opposti della coppa.
3. Rimuovere il rocchetto. E rimuovere la vecchia corda di nailon dal rocchetto.
4. Tagliare 3 – 6 m di una corda di nailon. Ripiegare in due la corda di nailon, lasciando una metà di 80 – 100 mm più lunga dell'altra. (Fig. 18)
5. Agganciare la parte di mezzo della nuova corda di nailon alla tacca situata al centro del rocchetto tra i due canali provvisti per la corda di nailon. (Fig. 19)
6. Avvolgere saldamente entrambe le estremità lungo i canali nella direzione indicata dalla freccia sul rocchetto. (Fig. 20)
7. Far passare le corde di nailon attraverso gli occhielli facendole uscire dalla coppa.
8. Allineare le sporgenze del lato inferiore del coperchio sulle tacche degli occhielli. Spingere poi saldamente il coperchio sulla coppa per fissarlo. Accertarsi che i ganci si stendano completamente nel coperchio.

Per mantenere la SICUREZZA e l'AFFIDABILITÀ del prodotto, le riparazioni e qualsiasi altra manutenzione o regolazione devono essere eseguite dai Centri di Assistenza Makita autorizzati usando sempre ricambi Makita.

INTERVALLO DI MANUTENZIONE

Parti:	Intervallo:	Modo di procedere:
Cavo di alimentazione	Ogni volta prima dell'uso	Verificare visivamente che non sia molto usurato o danneggiato. Se è danneggiato, chiedere la sua riparazione al centro di assistenza locale.
Vite manico ausiliario	Ogni volta prima dell'uso	Controllare che la vite non sia allentata. Stringere la vite se è allentata. Sostituire la vite se è danneggiata.
Protezione attrezzo di taglio (protezione)	Ogni volta prima dell'uso	Controllare che la vite non sia allentata e che la protezione non sia danneggiata. Stringere la vite se è allentata. Sostituire la protezione se è danneggiata.
Lama di taglio	Ogni 10 ore	Lubrificare con olio anticorrosivo dopo ciascun utilizzo. Controllare che non sia danneggiata. Sostituirla se è danneggiata.
Testa di taglio in nailon	Ogni 10 ore	Verificare visivamente che non sia molto usurata o danneggiata. Sostituirla se è danneggiata.
Albero ingranaggio	Ogni 10 ore	Lubrificare con olio anticorrosivo.

CORREZIONE DEI PROBLEMI

Eseguire da soli l'ispezione prima di richiedere le riparazioni. Se si trova un problema che non è spiegato nel manuale, non cercare di smontare l'utensile. Rivolgersi invece ai Centri di Assistenza Makita autorizzati, usando sempre ricambi Makita per le riparazioni.

Stato di malfunzionamento	Causa	Rimedio
Il motore non parte.	Il cavo di alimentazione non è collegato alla presa di corrente.	Collegarlo alla presa di corrente.
	Il cavo di alimentazione è rotto.	Chiedere la riparazione a un centro di assistenza autorizzato vicino.
	Il sistema di trasmissione non funziona correttamente.	
Il motore si arresta dopo poco.	Surriscaldamento.	Smettere di usare l'utensile in modo da permettere che si raffreddi.
Non raggiunge i giri massimi al minuto.	Il sistema di trasmissione non funziona correttamente.	Chiedere la riparazione a un centro di assistenza autorizzato vicino.
L'attrezzo di taglio non gira: fermare immediatamente l'utensile!	Un oggetto estraneo, come un ramo, è incastrato tra la protezione e l'attrezzo di taglio.	Rimuovere l'oggetto estraneo.
	Il dado di fissaggio della lama di taglio è allentato.	Stringere correttamente il dado come descritto in questo manuale.
	La lama di taglio è storta.	Sostituire la lama di taglio.
	Il sistema di trasmissione non funziona correttamente.	Chiedere la riparazione a un centro di assistenza autorizzato vicino.
Vibrazione anormale: fermare immediatamente l'utensile!	Una estremità della corda di nailon è rotta.	Sbattere la testa di taglio in nailon contro il suolo mentre sta girando, per causare l'alimentazione della corda.
	La lama di taglio è storta, crepata o usurata.	Sostituire la lama di taglio.
	Il dado di fissaggio della lama di taglio è allentato.	Stringere correttamente il dado come descritto in questo manuale.
	La lama di taglio non è fissata correttamente.	
	Il sistema di trasmissione non funziona correttamente.	Chiedere la riparazione a un centro di assistenza autorizzato vicino.
L'attrezzo di taglio e il motore non si fermano: Staccare immediatamente la spina del cavo di alimentazione dalla presa di corrente!	Malfunzionamento elettrico o elettronico.	Staccare la spina del cavo di alimentazione dalla presa di corrente e chiedere a un centro di assistenza autorizzato vicino di eseguire la riparazione.

ACCESSORI OPZIONALI

ATTENZIONE:

- Questi accessori o attrezzi sono consigliati per l'uso con l'utensile Makita specificato in questo manuale. L'impiego di qualsiasi altro accessorio o attrezzo diverso potrebbe costituire un rischio di incidenti alle persone. Usare gli accessori o attrezzi soltanto per il loro scopo prefissato.

Se sono necessari maggiori dettagli riguardo a questi accessori, rivolgersi a un Centro di Assistenza Makita autorizzato vicino.

- Lama di taglio
- Testa di taglio in nailon
- Corda di nailon (corda di taglio)
- Tracolla

NOTA:

- Alcuni articoli della lista potrebbero essere inclusi nell'imballo dell'utensile come accessori standard. Essi potrebbero differire da Paese a Paese.

Uitleg van het totaaloverzicht

1 Snoerklem	11 Schouderdraagriem	22 Kom
2 Stroomsnoer (de uitvoering kan van land tot land verschillen)	12 Kussen	23 Moer
3 Achterhandgreep	13 Meest effectieve snoeisegment	24 Nylon snoeikop
4 Uitschakelborgknop	14 Handgreep	25 Koordsnijmes
5 Trekkerschakelaar	15 Rubber mof	26 Deksel
6 Voorhandgreep	16 Binnenste beschermkap	27 Ophangoog
7 Ophangoog (evenwichtspunt)	17 Buitenste beschermkap	28 80 – 100 mm
8 Stuitbeugel	18 Steuring	29 Spoel
9 Snoeiwerkkap (beschermkap)	20 Snoeiblad	
10 Snoeiwerktuig	21 Klemring	

TECHNISCHE GEGEVENS

Model	UR2300	UR3502
Type handgreep	Lusvormige handgreep	
Totale lengte	1 630 mm	
Continu ingangsvermogen	1 000 W	
Onbelast toerental	5 700 min ⁻¹	5 700 min ⁻¹
Snoeiwerktuig	Snoeiblad	Nylon snoeikop
Maaibreedte	230 mm	350 mm
Netto gewicht	4,7 kg	4,9 kg
Veiligheidsklasse	II/II	

- Vanwege ons voortgaand onderzoeks- en ontwikkelingsprogramma kunnen de hier vermelde technische gegevens zonder voorafgaande kennisgeving worden gewijzigd.
- De technische gegevens kunnen van land tot land verschillend zijn.
- Gewicht volgens de EPTA-procedure 01/2003

Lawaai	Gemiddeld geluidsdruk niveau		Gemiddeld geluidsvermogen niveau		Toegepaste norm
	Snoeiwerktuig	L _{PA} (dB(A))	Onzekerheid K (dB(A))	L _{WA} (dB(A))	
Snoeiblad	80,8	2,5	93,45	1,23	EN 60335-1, EN 50636-2-91, EN ISO 11806
Nylon snoeikop	85,3	2,5	93,84	1,58	

- Draag oorbescherming.

Trillingen	Voorgreep		Achtergreep		Toegepaste norm
	Snoeiwerktuig	a _n (m/s ²)	Onzekerheid K (m/s ²)	a _n (m/s ²)	
Snoeiblad	2,856	1,5	2,712	1,5	EN 60335-1, EN 50636-2-91, EN ISO 11806
Nylon snoeikop	2,768	1,5	2,694	1,5	

- De opgegeven trillingsemisiewaarde is gemeten volgens de standaardtestmethode en kan worden gebruikt om een gereedschap te vergelijken met andere gereedschappen.
- De opgegeven trillingsemisiewaarde kan ook worden gebruikt voor een beoordeling vooraf van de blootstelling.

⚠ WAARSCHUWING:

- De trillingsemisie tijdens het gebruik van het elektrisch gereedschap in de praktijk kan verschillen van de opgegeven trillingsemisiewaarde, afhankelijk van de manier waarop het gereedschap wordt gebruikt.
- Zorg dat de gebruiker wordt beschermd door afdoende veiligheidsmaatregelen, gebaseerd op een schatting van de blootstelling onder praktijkomstandigheden (rekening houdend met alle fasen van de bedrijfscyclus, dus ook de tijd wanneer het gereedschap onbelast draait of uit staat, naast de actieve werkperiode).

Symbolen

Hieronder volgen de symbolen die voor de apparatuur gebruikt worden. Zorg dat u vóór het gebruik de betekenis ervan duidelijk begrijpt.



- Wees vooral zorgvuldig en nauwgezet.



- Lees de gebruiksaanwijzing.



- Gevaar; let op voor rondvliegende voorwerpen.



- De afstand tussen het gereedschap en omstanders moet ten minste 15 meter bedragen.



- Houd omstanders op afstand.



- Draag een helm, veiligheidsbril en oorbeschermers.



- Draag beschermende handschoenen.



- Draag stevig schoeisel met antislipzolen. Veiligheidsschoenen met stalen neuzen zijn aanbevolen.



- Niet blootstellen aan vocht.



- Trek de stekker uit het stopcontact als het stroomsnoer beschadigd of in de knoop geraakt is.



- Voorkom terugslag.



- Bewaar een afstand van tenminste 15 meter.



- DUBBELE ISOLATIE



- Alleen voor landen van de EU
Geef opgebruikte elektrische apparatuur niet met het huishoudelijk afval mee!
Met inachtneming van de Europese Richtlijnen betreffende afgedankte elektrische en elektronische apparatuur, en de tenuitvoerlegging van deze richtlijnen onder de nationale wetgeving, moeten elektrische apparaten die het einde van hun levensduur bereikt hebben, gescheiden worden ingezameld en worden ingeleverd bij een recyclingbedrijf dat aan de milieuriichtlijnen voldoet.

EU-VERKLARING VAN CONFORMITEIT

Alleen voor Europese landen

De EG-verklaring van conformiteit is bijgesloten als Aanhangsel A bij deze gebruiksaanwijzing.

Algemene veiligheids waarschuwingen voor elektrisch gereedschap

⚠ WAARSCHUWING Lees alle veiligheids waarschuwingen en alle instructies. Het niet volgen van de waarschuwingen en instructies kan leiden tot elektrische schokken, brand en/of ernstig letsel.

Bewaar alle waarschuwingen en instructies om in de toekomst te kunnen raadplegen.

De term "elektrisch gereedschap" in de waarschuwingen verwijst naar elektrisch gereedschap (bekabeld) dat werkt op netstroom en elektrisch gereedschap (draadloos) dat werkt op een accu.

Veiligheid op de werkplek

1. **Houd uw werkplek schoon en zorg voor goede verlichting.** Op een rommelige of donkere werkplek gebeuren vaker ongelukken.
2. **Werk niet met elektrische gereedschappen in een omgeving met ontploffingsgevaar, zoals een omgeving met brandbare vloeistoffen, gassen of stof.** Elektrische gereedschap produceert vonken die de dampen of het stof kunnen ontsteken.
3. **Houd kinderen en omstanders uit de buurt tijdens het gebruik van elektrisch gereedschap.** Door afleiding kunt u de controle over het gereedschap verliezen.

Elektrische veiligheid

4. **De stekker van een elektrisch gereedschap moet overeenkomen met het stopcontact.** Verander de stekker nooit op geen enkele manier. Gebruik geen omzetterstekkers voor geaard elektrisch gereedschap. Met de standaardstekker in een overeenkomstig stopcontact verkleint u de kans op een elektrische schok.
5. **Voorkom lichamelijk contact met geaarde oppervlakken, zoals pijpen, radiatoren, fornuizen en koelkasten.** De kans op een elektrische schok is groter wanneer uw lichaam is geaard.
6. **Stel elektrisch gereedschap niet bloot aan regen of natte omstandigheden.** Als water binnendringt in het elektrisch gereedschap, wordt de kans op een elektrische schok groter.
7. **Behandel het netsnoer voorzichtig.** Gebruik het netsnoer nooit om het elektrisch gereedschap aan te dragen, eraan te trekken, of de stekker ervan uit het stopcontact te trekken. Houd het netsnoer uit de buurt van hitte, olie, scherpe randen en bewegende delen. Beschadigde en in de war geraakte snoeren verhogen de kans op een elektrische schok.
8. **Bij gebruik van elektrisch gereedschap buitenshuis, gebruikt u een verlengsnoer dat geschikt is voor gebruik buitenshuis.** Door een verlengsnoer te gebruiken dat geschikt is voor gebruik buitenshuis, verkleint u de kans op een elektrische schok.
9. **Als het onvermijdbaar is een elektrisch gereedschap te gebruiken in een vochtige omgeving, gebruikt u een voeding uitgerust met een reststroombeveiliging (RCD).** Een RCD verkleint de kans op een elektrische schok.
10. **Voeding via een RCD met een nominale reststroomsterkte van 30 mA of minder is steeds aanbevolen.**

Persoonlijke veiligheid

11. **Let altijd goed op, kijk naar wat u aan het doet bent, en gebruik uw gezond verstand tijdens het gebruik van een elektrisch gereedschap.** Gebruik een elektrisch gereedschap niet wanneer u moe bent, of onder invloed staat van drugs, alcohol of medicijnen. Een ogenblik van onoplettendheid kan tijdens het gebruik van een elektrisch gereedschap leiden tot ernstig persoonlijk letsel.
 12. **Gebruik persoonlijke-veiligheidsmiddelen. Draag altijd oogbescherming.** Persoonlijke-veiligheidsmiddelen, zoals stofmaskers, slipvaste veiligheidsschoenen, veiligheidshelm en oorbescherming, gebruikt in toepasselijke situaties, dragen bij tot een verlaging van persoonlijk letsel.
 13. **Voorkom onbedoeld starten. Controleer dat de schakelaar in de uit-stand staat alvorens het gereedschap aan te sluiten op de voeding en/of accu, op te pakken of te dragen.** Door elektrisch gereedschap te dragen met uw vinger op de schakelaar, of door het gereedschap op een voeding aan te sluiten terwijl de schakelaar aan staat, neemt de kans op ongelukken sterk toe.
 14. **Verwijder afstelsleutels en tangen voordat u het elektrisch gereedschap inschakelt.** Een sleutel of tang die nog aan een draaiend deel van het elektrisch gereedschap vastzit, kan persoonlijk letsel veroorzaken.
 15. **Reik niet te ver. Zorg altijd voor een stevige stand en goede lichaamsbalans.** Hierdoor heeft u een betere controle over het elektrisch gereedschap in onverwachte situaties.
 16. **Draag geschikte kleding. Draag geen losse kleding of sierraden. Houd uw haar, kleding en handschoenen uit de buurt van bewegende delen.** Loshangende kleding, sierraden en lang haar kunnen verstrikt raken in bewegende delen.
 17. **Als het elektrisch gereedschap is uitgerust met een aansluiting voor stofafzuig- en stofopvangvoorzieningen, zorgt u ervoor dat deze zijn aangesloten en correct worden gebruikt.** Het gebruik van een stofvanger kan gevaar door stof verminderen.
- #### Elektrisch gereedschap en onderhoud
18. **Overbelast het elektrisch gereedschap niet. Gebruik het juiste elektrisch gereedschap voor het werk.** Het juiste elektrisch gereedschap werkt beter en veiliger binnen het aangegeven capaciteitsbereik.
 19. **Gebruik het elektrisch gereedschap niet als het niet kan worden in- en uitgeschakeld met de schakelaar.** Ieder elektrisch gereedschap dat niet met de schakelaar kan worden bediend is gevaarlijk en moet eerst worden gerepareerd.
 20. **Koppel de stekker los van de netstroom en/of haal de accu uit het elektrisch gereedschap voordat u afstellingen maakt, hulpstukken vervangt, of het elektrisch gereedschap opbergt.** Dergelijke preventieve veiligheidsmaatregelen verkleinen de kans dat het elektrisch gereedschap per ongeluk wordt ingeschakeld.

21. **Bewaar elektrische gereedschappen die niet worden gebruikt buiten het bereik van kinderen en voorkom dat personen die onbekend zijn met het gebruik ervan of met deze instructies het elektrisch gereedschap gebruiken.** Elektrische gereedschappen zijn gevaarlijk in de handen van onervaren gebruikers.
22. **Onderhoud het elektrisch gereedschap goed. Controleer op een slechte uitlijning of het aanlopen van draaiende delen, het stukgaan van onderdelen en alle andere situaties die van invloed kunnen zijn op de werking van het elektrisch gereedschap. Als het elektrisch gereedschap beschadigd is, laat u het eerst repareren voordat u het gebruikt.** Veel ongelukken worden veroorzaakt doordat het elektrisch gereedschap slecht wordt onderhouden.
23. **Houd snij- en zaaggereedschappen scherp en schoon.** Goed onderhouden snij- en zaaggereedschappen met scherpe snij- en zaagranden lopen minder vaak vast en zijn gemakkelijker te gebruiken.
24. **Gebruik het elektrisch gereedschap met de bijbehorende accessoires, bits, enz., overeenkomstig deze instructies, met inachtneming van de werkstandigheden en het werd dat wordt uitgevoerd.** Het gebruik van het elektrisch gereedschap bij andere werkzaamheden dan waarvoor het is bedoeld, kan leiden tot gevaarlijke situaties.

Reparatie

25. **Laat uw elektrisch gereedschap repareren door een vakbekwame reparateur die gebruik maakt van uitsluitend identieke vervangingsonderdelen.** Hiermee bent u ervan verzekerd dat de veiligheid van het elektrisch gereedschap behouden blijft.
26. **Volg de instructies voor het smeren en laden van accessoires.**
27. **Houd de handgrepen droog, schoon en vrij van olie en vetten.**

BELANGRIJKE VEILIGHEIDSVOORSCHRIFTEN

⚠ WAARSCHUWING! Lees alle veiligheidsvoorschriften en alle instructies aandachtig. Als u nalaat de waarschuwingen en instructies te volgen, kan dit leiden tot een elektrische schok, brand en/of ernstig letsel.

Bewaar al deze waarschuwingen en instructies zorgvuldig voor latere naslag.

Beoelde toepassing

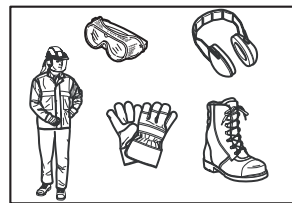
1. De grasmaaier/trimmer/onkruidwieder is alleen bestemd voor het trimmen van gras, onkruid en licht struikgewas. Gebruik het niet voor andere doeleinden zoals het snoeien van heggen en dergelijke, want dat kan leiden tot verwondingen.

Algemene aanwijzingen

1. Laat nooit personen die niet vertrouwd zijn met deze instructies, of personen (inclusief kinderen) met beperkte fysieke, zintuiglijke of verstandelijke vermogens, of gebrek aan ervaring of kennis van zaken, het gereedschap bedienen. Houd het oog op kinderen, om te zorgen dat ze niet met het gereedschap gaan spelen.

2. Lees eerst deze gebruiksaanwijzing voordat u het gereedschap start, om u vertrouwd te maken met het hanteren van het gereedschap.
3. Leen het gereedschap niet uit aan iemand met onvoldoende ervaring of kennis omtrent het gebruik van onkruidwieders en koordgrastrimmers.
4. Bij het uitlenen van het gereedschap dient u altijd deze gebruiksaanwijzing er bij te overhandigen.
5. Behandel het gereedschap met de uiterste zorg en tegenwoordigheid van geest.
6. Bedien het gereedschap nooit na het gebruik van alcohol of medicijnen of wanneer u zich moe of ziek voelt.
7. Probeer nooit om aanpassingen aan het gereedschap te maken.
8. Pas op dat u zich niet snijdt aan het koordsnijmes voor het bijtrimmen van het werktuigkoord. Na het uittrekken van een nieuw stuk snoeikoord dient u het apparaat altijd terug te brengen in de normale gebruiksstand voordat u het inschakelt.
9. Volg de voorschriften over de juiste omgang met onkruidwieders en koordgrastrimmers die in uw land gelden.

Persoonlijke beschermende uitrusting



1. Draag een veiligheidshelm, veiligheidsbril en stevige werkhandschoenen om uzelf te beschermen tegen rondvliegend gruis of vallende voorwerpen.
2. Draag oorbeschermers zoals oorkleppen, om aantasting van uw gehoor te voorkomen.
3. Draag voor uw veiligheid geschikte werkkleding en schoeisel, zoals een werkoverall en stevige schoenen met anti-slipzolen. Draag geen loshangende kleding of sieraden. Loshangende kleding, sieraden of lang haar kan vastraken in de bewegende onderdelen.
4. Draag beschermende werkhandschoenen wanneer u het snoeiblad moet aanraken. Met blote handen zou u zich ernstig kunnen verwonden aan de randen van het snoeiblad.

Veiligheid op de werkplek

1. Gebruik het gereedschap alleen bij daglicht en helder zicht. Gebruik het gereedschap niet in het donker of bij mistig weer.
2. Gebruik het gereedschap niet in een omgeving waar explosiegevaar bestaat door licht ontvlambare vloeistoffen, gas, damp of stof. Het gereedschap produceert vonken die gas of stof kunnen doen detoneren.
3. Gebruik het gereedschap nooit terwijl u op een gladde of wankel ondergrond staat of op een steile helling. Pas tijdens het winterseizoen goed op voor gladheid, ijs of sneeuw en zorg dat u altijd stevig staat.
4. Houd tijdens gebruik omstanders en dieren op ten minste 15 meter afstand van het gereedschap. Stop het gereedschap zodra er iemand dichtbij komt.

5. Inspecteer voor het gebruik eerst uw werkerterrein op stenen of andere harde voorwerpen. Die kunnen worden weggeslingerd of zouden een gevaarlijke terugslag kunnen veroorzaken, met kans op ernstige verwonding en/of schade aan eigendommen.
6. **⚠ WAARSCHUWING:** Het gebruik van dit product kan stof voortbrengen met chemische stoffen die schade aan de luchtwegen en andere gezondheidsrisico's kunnen veroorzaken. Sommige van deze chemische stoffen zijn bijvoorbeeld verbindingen die worden aangetroffen in pesticiden, insecticiden, kunstmest en onkruidverdelgers. Het risico van uw blootstelling hieraan varieert, afhankelijk van hoe vaak u dit soort werk verricht. Om uw blootstelling aan deze chemische stoffen te verminderen: werk op een goed geventileerde plaats en gebruik goedgekeurde veiligheidsvoorzieningen zoals een type stofmasker dat specifiek is ontworpen voor het uifilteren van microscopische deeltjes.
9. Voorkom het onbedoeld starten. Zorg dat de schakelaar in de uit-stand staat voordat u de stekker in het stopcontact steekt, voordat u het gereedschap optilt of meedraagt. Het dragen van elektrisch gereedschap met uw vinger op de schakelaar of het aansluiten van ingeschakeld elektrisch gereedschap is vragen om ongelukken.
10. Inspecteer voor het gebruik altijd het stroomsnoer en verlengsnoer op tekenen van schade of slijtage.
11. Als het snoer tijdens gebruik beschadigd raakt, trekt u dan onmiddellijk de stekker uit het stopcontact. **Raak het snoer niet aan voordat u de stekker uit het stopcontact hebt losgemaakt.**
12. Gebruik het gereedschap niet als het snoer beschadigd of versleten is.
13. Houd een verlengsnoer altijd uit de buurt van snoeiwerktuigen.

Elektrische veiligheid

1. **Zorg dat de stekker van het stroomsnoer goed in het stopcontact past. Maak nooit enige aanpassing aan de stekker. Gebruik geen verloopstekkers met gearde elektrisch gereedschap (met massacontact).** Met goed passende stekkers en stopcontacten vermijdt u het gevaar van elektrische schokken.
2. **Zorg dat uw lichaam niet in aanraking is met gearde voorwerpen of apparatuur zoals buizen, een radiator, fornuis of koelkast.** U loopt een verhoogd risico van een elektrische schok als uw lichaam een aardcontact of massacontact heeft.
3. Stel het gereedschap niet bloot aan regen of erg vochtige omstandigheden. Als er water in het gereedschap komt, kan dat gevaar voor een elektrische schok opleveren.
4. **Pas op voor schade aan het stroomsnoer. Draag of sleep het gereedschap nooit aan het snoer en trek er niet aan om de stekker los te maken. Zorg dat het snoer niet wordt blootgesteld aan hitte, olie, scherpe randen of bewegende delen.** Een beschadigd of geknakt snoer kan gevaar voor een elektrische schok opleveren.
5. Gebruik het gereedschap niet als u het niet met de schakelaar kunt in- en uitschakelen. Elk soort gereedschap dat niet met de schakelaar bediend kan worden is gevaarlijk en moet gerepareerd worden.
6. **Bij gebruik van elektrisch gereedschap buitenshuis moet een verlengsnoer ook geschikt zijn voor buitengebruik.** Toepassing van een verlengsnoer dat bestemd is voor buitengebruik vermindert de kans op een elektrische schok.
7. **Als het gebruik van elektrisch gereedschap in een vochtige omgeving onvermijdelijk is, gebruikt u dan een stroombron die is voorzien van een reststroombeveiliging (RCD).** Het gebruik van een reststroombeveiliging vermindert de kans op een elektrische schok.
8. **Gebruik van een stroombron met een reststroombeveiliging van 30 mA of minder is altijd aanbevolen.**

In gebruik nemen

1. Alvorens u het gereedschap gaat monteren of afstellen, trekt u eerst de stekker uit het stopcontact.
2. Voor het aanraken van het snoeiblad dient u een paar werkhandschoenen te dragen.
3. Alvorens de stekker in het stopcontact te steken, inspecteer u het gereedschap op schade, losse schroeven/moeren of onjuiste montage. Slijp een bot geworden snoeiblad. Als het snoeiblad verborgen of beschadigd is, vervangt u het. Controleer alle bedieningsknoppen en schakelaars op soepele werking. Zorg dat de handgrepen schoon en droog zijn.
4. Probeer nooit om het gereedschap in te schakelen als het beschadigd is of niet volledig gemonteerd. Anders loopt u kans op ernstige verwonding.
5. Verwijder enige afstelsleutel of moersleutel voordat u het gereedschap inschakelt. Een afstelsleutel of moersleutel die blijft bevestigd aan een draaiend deel van het gereedschap kan gevaar voor lichamelijk letsel opleveren.
6. Verstel de schouderdraagriem en de handgreep passend voor het postuur van de gebruiker.
7. Wanneer u de stekker in het stopcontact steekt, dient u het snoeiwerktuig ver van u af te houden en ook ver van andere voorwerpen en van de grond. Het kan bij starten direct gaan draaien en zou verwonding of schade aan het gereedschap en/of eigendommen kunnen veroorzaken.

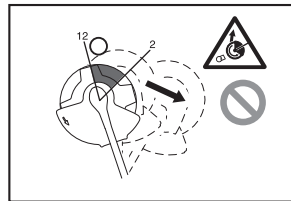
Bediening

1. In noodgevallen schakelt u het gereedschap onmiddellijk uit.
2. Als u iets ongebruikelijks (vreemde geluiden, trillingen e.d.) bespeurt tijdens het gebruik, schakelt u het gereedschap onmiddellijk uit. Gebruik het gereedschap niet meer totdat de oorzaak is gevonden en het probleem is verholpen.
3. **Waarschuwing.** Het snoeiwerktuig blijft na uitschakelen van het gereedschap nog een tijdje doordraaien. Wees niet te haastig om het snoeiwerktuig aan te raken.
4. Gebruik tijdens het werk de schouderdraagriem. Houd het gereedschap altijd aan uw rechterzijde.
5. Reik niet te ver over. Zorg voortdurend dat u stevig staat en uw evenwicht bewaart. Pas op voor verborgen obstakels zoals boomstronken, wortels of geulen, om te zorgen dat u niet struikelt.

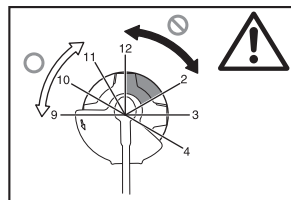
6. Werk nooit staande op een ladder of leunend op een boom, om de controle over het gereedschap niet te verliezen.
 7. Voordat u het apparaat gaat gebruiken en ook nadat het gevallen is, dient u de toestand ervan te controleren alvorens u er mee gaat werken. Controleer de bedieningsorganen en veiligheidsvoorzieningen op defecten. Als er enige schade of twijfel bestaat, verzoekt u dan ons erkende servicecentrum om inspectie en reparatie.
 8. Raak het overbrengingshuis niet aan. Tijdens het gebruik zal het overbrengingshuis heet worden.
 9. Neem regelmatig even rust, om verlies aan concentratie door vermoeidheid te voorkomen. We raden u aan om elk uur een rustpauze van 10 tot 20 minuten te nemen.
 10. Wanneer u het gereedschap onbeheerd achterlaat, ook al is het maar voor korte tijd, trekt u altijd de stekker uit het stopcontact. Een onbeheerd stuk gereedschap waarvan de stekker in het stopcontact zit, kan worden gebruikt door onbevoegden, hetgeen ernstige ongelukken kan veroorzaken.
 11. Als er gras of takken tussen het snoeiwerktuig en de beschermkap klem raken, schakelt u dan eerst het gereedschap uit en trek de stekker uit het stopcontact voordat u het gaan schoonmaken. Anders zou het snoeiwerktuig per ongeluk in beweging kunnen komen, met gevaar voor ernstige verwonding.
 12. Als het snoeiwerktuig een steen of een ander hard voorwerp raakt, schakelt u het gereedschap dan onmiddellijk uit. Trek vervolgens de stekker uit het stopcontact en inspecteer het snoeiwerktuig.
 13. Controleer het snoeiwerktuig tijdens het gebruik regelmatig op barsten of andere beschadigingen. Trek voor een inspectie eerst de stekker uit het stopcontact en wacht tot het snoeiwerktuig volledig tot stilstand is gekomen. Vervang een beschadigd snoeiwerktuig onmiddellijk, ook al ziet u enkel oppervlakkige barstjes.
 14. Probeer nooit om boven heuphoogte te snoeien.
 15. Voordat u begint met maaien, schakelt u het gereedschap in en wacht u tot het snoeiwerktuig op een constant toerental draait.
 16. Bij gebruik van een metalen snoeiblad zwaait u het gereedschap gelijkmatig in een halve cirkel van rechts naar links net als u met een zeis zou doen.
 17. Houd het gereedschap alleen vast aan de geïsoleerde handgrepen, want het snoeiblad zou eventueel verborgen elektriciteitsdraad kunnen raken. Als het snoeiblad een draad die onder stroom staat beschadigt, kunnen de metalen delen van het gereedschap ook onder stroom komen te staan en kunt u een gevaarlijke elektrische schok krijgen.
 18. Zorg altijd dat de ventilatiesleuven vrij blijven en niet met snoeiafval verstopt raken.
- Gebruik nooit enig ander snoeiblad, zoals metalen meerstuks scharnierende kettingen of rondflappende bladen. Dat zou kunnen leiden tot ernstige verwonding.
2. Gebruik altijd de snoeiwerktuigbeschermer die geschikt is voor het geplaatste type snoeiwerktuig.
 3. Pas nooit metalen snoeiwerktuigdelen in het model met een nylon snoeiwerktuig.
 4. Pas bij gebruik van een metalen snoeiblad altijd goed op voor terugslag en wees er altijd terdege op verdacht dat terugslag kan optreden. Zie het hoofdstukje "Terugslag".

Terugslag (Plotselinge snoeibladbeweging)

1. Terugslag (plotselinge snoeibladbeweging) is een plotselinge onverwachte beweging in reactie op een snoeiblad dat vastloopt of ergens af kaatst. Wanneer dit gebeurt, wordt het gereedschap in een heftige beweging zijwaarts of terugwaarts naar de gebruiker toe geslagen, hetgeen ernstige verwondingen kan veroorzaken.
2. Terugslag komt vooral voor wanneer het snoeibladsegment rechtsboven (tussen 12 en 2 uur) in aanraking komt met een hard voorwerp, een stronk of stammetje met een doorsnee van 3 cm of meer.



3. Om terugslag te voorkomen:
 - Trim zo mogelijk met het snoeibladsegment linksonder (tussen 8 en 11 uur).
 - Oefen nooit kracht uit met het snoeibladsegment rechtsboven, tussen 12 en 2 uur.
 - Oefen nooit kracht uit met het snoeibladsegment middenboven, tussen 11 en 12 uur of rechtsonder tussen 2 en 5 uur, tenzij u zeer ervaren bent en u zich er terdege van bewust bent dat dit geheel voor uw eigen risico is.
 - Gebruik nooit snoeibladen vlakbij harde obstakels zoals hekken, muren, boomstronken en boomwortels.
 - Gebruik een snoeiblad nooit verticaal, voor het bijtrimmen van randen of het snoeien van heggen.



Snoeiwerktuigen

1. Gebruik een geschikt snoeiwerktuig voor het werk dat u gaat verrichten.
 - Nylon snoeikoppen (met snoeikoord) zijn geschikt voor het maaien van gras, zoals een gazon.
 - Metalen snoeibladen zijn geschikt voor het wieden van onkruid en het trimmen van hoog gras, bosjes, heggen, heesters, kreupelhout en dergelijke.

Trillingen

1. Personen met een minder goede bloedsomloop die worden blootgesteld aan overmatige trillingen kunnen letsel aan hun bloedvaten of hun zenuwstelsel oplopen. Trillingen kunnen de volgende symptomen veroorzaken in vingers, handen of polsen: "Slapende" (gevoelloze) handen, tintelen, pijn, een stekend gevoel of verkleuren of anderszins wegtrekken van de huid. Als u een van deze symptomen bespeurt, raadpleegt u dan een arts!
2. Om het risico van "witte-vingerziekte" te vermijden dient u tijdens de bediening te zorgen dat uw handen warm blijven en tevens het gereedschap en de accessoires goed te onderhouden.

Vervoeren

1. Voordat u het gereedschap gaat vervoeren, schakelt u het uit en trekt u de stekker uit het stopcontact. Breng het deksel aan op het snoeiblاد.
2. Bij het vervoeren van het gereedschap draagt u het horizontaal, door de stang vast te houden.
3. Voor vervoer van het gereedschap in een voertuig dient u het stevig vast te zetten zodat het niet kan omvallen of wegglijden. Anders kan er schade ontstaan aan het gereedschap en aan uw andere bagage.

Onderhoud

1. Laat technisch onderhoud van uw gereedschap verrichten door ons erkende servicecentrum, altijd met gebruik van originele vervangingsonderdelen. Ondeskundige reparatie en slecht onderhoud kunnen de levensduur van het gereedschap verkorten en het risico van ongelukken verhogen.
2. Voordat u enig onderhoud of reparatiewerk gaat verrichten of het gereedschap gaat schoonmaken, schakelt u het eerst uit en trekt u de stekker uit het stopcontact.
3. Draag altijd beschermende werkhandschoenen wanneer u het snoeiblاد moet aanraken.
4. Maak het gereedschap altijd vrij van stof en vuil. Gebruik hiervoor echter nooit benzine, spiritus, tri of thinner en dergelijke. Dat zou kunnen leiden tot verkleuring, vervorming of barsten van de plastic onderdelen.
5. Draai na elk gebruik alle schroeven en bouten vast.
6. Probeer nooit enig onderhoud of reparaties uit te voeren die niet in de gebruiksaanwijzing staan beschreven. Verzoek ons erkend servicecentrum om dergelijke werkzaamheden uit te voeren.
7. Gebruik altijd alleen onze originele vervangingsonderdelen en accessoires. Het gebruik van door derden geleverde onderdelen of accessoires kan resulteren in defecten aan het gereedschap, schade aan eigendommen en/of ernstig letsel.
8. Verzoek regelmatig ons erkend servicecentrum om het gereedschap te inspecteren en onderhouden.

Opslag

1. Voordat u het gereedschap opbergt, dient u het volledig schoon te maken en te onderhouden. Trek de stekker uit het stopcontact. Breng het deksel aan op het snoeiblاد.
2. Berg het gereedschap op in een droge plaats die is afgesloten of buiten het bereik van kinderen is.
3. Laat het gereedschap niet tegen een wand of enig ander voorwerp leunen. Anders zou het plotseling kunnen omvallen en ongelukken kunnen veroorzaken.

Eerste hulp

1. Zorg dat er altijd een verbandtrommel vlakbij is. Vervang alles dat u uit de verbandtrommel gebruikt altijd zo spoedig mogelijk.
2. Wanneer u hulp inroept, geeft u de volgende informatie door:
 - Plaats van het ongeluk
 - Wat er gebeurde
 - Aantal gewonden
 - Aard van de verwondingen
 - Uw naam

BEWAAR DEZE GEBRUIKSAANWIJZING.

⚠ WAARSCHUWING:

Laat u NIET misleiden door een gevoel van vertrouwdheid met het gereedschap (na veelvuldig gebruik) en neem alle veiligheidsvoorschriften van het betreffende gereedschap altijd strikt in acht. MISBRUIK of het niet navolgen van de veiligheidsvoorschriften uiteengezet in deze gebruiksaanwijzing kan leiden tot ernstig lichamelijk letsel.

BESCHRIJVING VAN DE ONDERDELEN

(Fig. 1)

FUNCTIONELE BESCHRIJVING

⚠ WAARSCHUWING:

• Zorg altijd dat het gereedschap is uitgeschakeld en de stekker ervan uit het stopcontact is verwijderd voordat u begint met afstelling of onderhoud van het gereedschap. Als u vergeet het apparaat uit te schakelen en de stekker uit het stopcontact te trekken, kan dat gevaar voor ernstig letsel veroorzaken als het gereedschap per ongeluk gestart wordt.

Werking van de stroomschakelaar (Fig. 2)

⚠ WAARSCHUWING:

• Voordat u de stekker in het stopcontact steekt, controleert u altijd of de trekkerschakelaar naar behoren werkt en terugkeert naar de "UIT"-stand wanneer u de schakelaar loslaat. Druk de trekkerschakelaar niet met kracht in zonder eerst de uitschakelborgknop vrij te zetten. Daardoor zou de schakelaar kunnen breken. Bediening van gereedschap met een schakelaar die niet goed werkt kan leiden tot onbeheerste bewegingen, met kans op ernstige verwonding.

Om te voorkomen dat de trekkerschakelaar per ongeluk kan worden ingedrukt, is dit gereedschap voorzien van een uitschakelborgknop.

Om het gereedschap te starten, schuift u de uitschakelborgknop naar voren en dan drukt u de trekkerschakelaar in. Om te stoppen laat u de trekkerschakelaar los.

Nylon snoeikop (Fig. 3)

KENNISGEVING:

- Probeer niet om de snoeikop een toevoerstoot te geven wanneer het gereedschap op een hoog toerental draait. Toevoerstoten bij een hoog toerental kunnen schade aan de nylon snoeikop veroorzaken.
- Het toevoerstoten zal ook niet goed werken als de snoeikop niet draait.

OPMERKING:

- De standaardaccessoires verschillen afhankelijk van het model en het land.

De nylon snoeikop is een dubbele grastrimkop die is voorzien van een stoot- en toevoermecanisme.

Om het nylon koord er uit te spoelen, stoot u de snoeikop tegen de grond terwijl de snoeikop draait.

OPMERKING:

- Als het nylon koord niet wordt afgewikkeld wanneer u de snoeikop tegen de grond stoot, kunt u het nylon koord opwickelen/vervangen volgens de aanwijzingen onder "Onderhoud".

Snoerklem (Fig. 4)

Bundel het stroomsnoer samen in een kleine lus en hang die aan de snoerklem.

MONTEREN

⚠ WAARSCHUWING:

- **Let op dat het gereedschap is uitgeschakeld en de stekker uit het stopcontact is, voordat u enig werk aan het gereedschap gaat verrichten.** Als u vergeet het gereedschap uit te schakelen en de stekker uit het stopcontact te trekken, kan dat gevaar voor ernstig letsel veroorzaken als het gereedschap per ongeluk gestart wordt.
- **Start nooit het gereedschap voordat het helemaal compleet is gemonteerd.** Bediening van het gereedschap in een deels gemonteerde toestand kan resulteren in ernstige verwonding als het gereedschap per ongeluk wordt gestart.

Aanbrengen van de handgreep (Fig. 5)

⚠ WAARSCHUWING:

- Verwijder het afstandsstuk niet en probeer het niet kleiner te maken. Het afstandsstuk zorgt dat er een bepaalde afstand tussen beide handen blijft. Wanneer u de handgreep/stuutbeugel dichterbij de andere handgreep aanbrengt dan het afstandsstuk normaal toestaat, zult u het gereedschap minder goed kunnen sturen, met gevaar voor ernstige verwonding.

Monteer de handgreep en de stuutbeugel op de rubber mof van de hoofdstang. Stel de plaats van de handgreep optimaal in en zet deze vast met vier bouten.

Goedgekeurde combinatie van snoeiwerktuig en beschermkap

⚠ WAARSCHUWING:

- **Gebruik het gereedschap altijd met een goedgekeurde combinatie van veiligheidsvoorzieningen.** Anders kan aanraking met het snoeiwerktuig resulteren in ernstig lichamelijk letsel.
- **Gebruik het gereedschap nooit zonder dat de afgebeelde beschermkap er op aanwezig is.** Als u dit achterwege laat, kan dat ernstig lichamelijk letsel veroorzaken.

OPMERKING:

- De standaardaccessoires verschillen afhankelijk van het model en het land.

Voor het snoeiblad (Fig. 6)

Voor de nylon snoeikop (Fig. 7)

Aanbrengen van de beschermkap voor het snoeiblad (Fig. 8)

1. Zorg dat de schroefgaten in de binnenste beschermkap samenvallen met de gaten in het overbrengingshuis.
2. En zet ze dan vast met drie bouten.

Aanbrengen van de beschermkap voor de nylon snoeikop

⚠ LET OP:

- Pas op dat u zich niet snijdt aan het koordsnijmes voor het bijtrimmen van het nylon snoeikoord.
- Vergeet niet om voor het gebruik de beschermkap voor het snoeiblad te verwijderen.

1. Plaats de vier bouten van de buitenste beschermkap tegenover de schroefgaten in de binnenste beschermkap. (Fig. 9)
2. Zet ze vast met de vier bouten.
3. Zorg dat de schroefgaten in de binnenste beschermkap samenvallen met de gaten in het overbrengingshuis.
4. Zet ze met bouten vast. (Fig. 10)

Aanbrengen van het snoeiblad

⚠ WAARSCHUWING:

- **De buitendiameter van het snoeiblad moet 230 mm bedragen.** Gebruik nooit enig snoeiblad met een buitendiameter van meer dan 230 mm.

⚠ LET OP:

- Het snoeiblad moet goed gepolijst zijn en vrij zijn van barsten of breuken. Polijst of vervang het snoeiblad elke drie gebruiksuren.
- Draag altijd werkhandschoenen wanneer u het snoeiblad gaat hanteren.
- Breng altijd het snoeibladdeksel aan wanneer u het gereedschap vervoert of het niet meer gebruikt.
- De borgmoer voor het snoeiblad zal na verloop van tijd verslijten. Als u tekenen van slijtage of vervorming bespeurt, vervangt u de borgmoer. Verzoek uw plaatselijke erkende servicecentrum om het onderdeel te bestellen.

KENNISGEVING:

- Gebruik vooral steeds het originele snoeiblad.

Plaats het gereedschap ondersteboven zodat u het snoeiblad gemakkelijker kunt vervangen. (Fig. 11)

1. Pas de steuning op de as.
2. Draai de steuning totdat de uitsparing in de steuning recht tegenover de uitsparing van het overbrengingshuis komt.
3. Steek de ronde staaf door beide openingen zodat de steuning niet meer kan draaien.
4. Plaats het snoeiblad op de steunring.
5. Plaats de klemring op het snoeiblad.
6. Plaats de kom op het snoeiblad.
7. Zet ze vast met de moer door die linksom vast te draaien terwijl u de ronde staaf vasthoudt.

Voor het verwijderen van het snoeiblad verricht u de bovenstaande stappen in omgekeerde volgorde.

Aanbrengen van de nylon snoeikop (Fig. 12)

KENNISGEVING:

- Maak uitsluitend gebruik van de originele nylon snoeikop.

Plaats het gereedschap ondersteboven zodat u de nylon snoeikop gemakkelijker kunt vervangen.

OPMERKING:

• Verwijder het deksel van het koordsnijmes voor het gebruik.

1. Pas de steuning op de as.
2. Draai de steuning totdat de uitsparing in de steuning recht tegenover de uitsparing van het overbrengingshuis komt.
3. Steek de ronde staaf door beide openingen zodat de steuning niet meer kan draaien.
4. Pas de nylon snoeikop er op door die linksom vast te draaien.
5. Verwijder de ronde staaf na het installeren van de nylon snoeikop.

Voor het verwijderen van de nylon snoeikop verricht u de bovenstaande stappen in omgekeerde volgorde.

BEDIENING

Juiste omgang met het gereedschap (Fig. 13)

Juiste houding

WAARSCHUWING:

• **Houd het gereedschap altijd aan uw rechterkant, zodat de stuitbeugel altijd voor uw lichaam uitsteekt.** Door het gereedschap op de juiste wijze vast te houden kunt u het zo precies mogelijk sturen en vermindert u de kans op ernstig lichamelijk letsel door terugslag.

LET OP:

• **Al tijdens het gebruik het snoeiwerktuig onverwacht in aanraking komt met een steen of een ander hard voorwerp, stopt u het gereedschap en inspecteert u het op beschadiging. Als het snoeiwerktuig is beschadigd, vervangt u het dan onmiddellijk.** Het gebruik van een beschadigd snoeiwerktuig kan leiden tot ernstig lichamelijk letsel.

Hang de schouderdraagriem over uw linker schouder door uw hoofd en rechter arm er door te steken, om het gereedschap aan uw rechterkant te hangen, zodat de stuitbeugel altijd voor uw lichaam uitsteekt.

Vastmaken van de schouderdraagriem (Fig. 14)

Verstel de lengte van de schouderdraagriem zo dat het snoeiwerktuig parallel met de grond hangt.

Bevestig de schouderdraagriem aan het ophangoog.

WAARSCHUWING:

• **Let steeds bijzonder goed op dat u de bewegingen van het gereedschap voortdurend goed in de hand houdt. Laat in geen geval het gereedschap ergens vanaf naar u toe of in de richting van iemand anders in uw buurt springen.** Als u het gereedschap niet goed in de hand houdt, zou dat ernstig letsel voor u als gebruiker en ook voor omstanders kunnen opleveren.

Verstellen van de plaats van het ophangoog en de schouderdraagriem (Fig. 15)

Verstel de plaats van het ophangoog zoals afgebeeld. (Fig. 16)

Om de plaats van het ophangoog bij te stellen, draait u de bout van het ophangpunt los. Vervolgens verstelt u het ophangoog.

Wanneer het ophangoog op de gewenste plaats zit, draait u de bout weer stevig vast met de sleutel.

ONDERHOUD

WAARSCHUWING:

• **Zorg altijd dat het gereedschap is uitgeschakeld en de stekker uit het stopcontact is, voordat u begint met inspectie en onderhoud van het gereedschap.** Als u vergeet het gereedschap uit te schakelen en de stekker uit het stopcontact te trekken, kan dat gevaar voor ernstig letsel veroorzaken als het gereedschap per ongeluk gestart wordt.

KENNISGEVING:

• Gebruik nooit benzine, spiritus, tri of thinner en dergelijke. Dat zou kunnen leiden tot verkleuring, vervorming of barsten.

Vervangen van het nylon snoeikoord (Fig. 17)

WAARSCHUWING:

• **Zorg dat de nylon snoeikop stevig aan het gereedschap is bevestigd voordat u met het gereedschap gaat werken.** Als u nalaat de nylon snoeikop stevig te bevestigen, zou die er af kunnen vliegen, met gevaar voor ernstig lichamelijk letsel.

1. Verwijder de nylon snoeikop.
2. Verwijder het deksel door de twee klemmetjes aan weerszijden van het gegroefde deel van de kom in te drukken.
3. Verwijder de spoel. En verwijder dan het oude nylon koord uit de spoel.
4. Snijd 3 – 6 meter nieuw nylon koord af. Vouw het ongeveer halverwege, zodat het ene uiteinde 80 – 100 mm langer is dan het andere eind. (Fig. 18)
5. Haak de middenlus van het nieuwe nylon koord om de nok in het midden van de spoelklos tussen de twee opwikkelkanalen voor het nylon koord. (Fig. 19)
6. Wikkel beide uiteinden stevig in de kanalen in de richting die wordt aangegeven door het pijlteken op de spoel. (Fig. 20)
7. Steek de nylon koorden door de oogjes zodat ze buiten de kom uitsteken.
8. Plaats de nokken aan de onderkant van het deksel recht tegenover de gleuven van de oogjes. Druk vervolgens het deksel stevig op de kom om het vast te maken. Zorg dat de klemmetjes volledig spreiden in het deksel.

Om de VEILIGHEID en BETROUWBAARHEID van het product te waarborgen, dienen alle reparaties, onderhoudswerk of afstellingen te worden uitgevoerd door een erkend Makita servicecentrum, altijd met gebruik van Makita vervangingsonderdelen.

ONDERHOUDSINTERVAL

Onderdelen:	Interval:	Werkwijze:
Stroomsnoer	Telkens voor gebruik	Inspecteer op het oog of er geen ernstige slijtage of schade is. Zijn er beschadigingen, verzoekt u dan uw plaatselijke onderhoudsdienst om reparatie.
Schroef voor hulphandvat	Telkens voor gebruik	Controleer of de schroef niet is losgeraakt. Als de schroef los zit, draait u die vast. Vervang de schroef als die beschadigd is.
Snoeiwerkkap (beschermkap)	Telkens voor gebruik	Controleer of de schroef niet is losgeraakt en of de beschermkap niet beschadigd is. Als de schroef los zit, draait u die vast. Vervang de beschermkap als die beschadigd is.
Snoeiblad	Om de 10 uren	Na ieder gebruik smeren met roestwerende olie. Controleren op schade. Als er beschadigingen zijn, vervangen a.u.b.
Nylon snoeikop	Om de 10 uren	Inspecteer op het oog of er geen ernstige slijtage of schade is. Zijn er beschadigingen, vervangt u het onderdeel dan.
Aandrijfas	Om de 10 uren	Smeren met roestwerende olie.

PROBLEMEN VERHELPEN

Voordat u om reparatie verzoekt, kunt u beter eerst uw eigen inspectie verrichten. Als u met een probleem kampt dat niet in gebruiksaanwijzing aan de orde komt, probeert u dan niet om het gereedschap te demonteren. Raadpleeg dan een erkend Makita servicecentrum, altijd met gebruik van Makita vervangingsonderdelen voor reparaties.

Symptoom of storing	Oorzaak	Ingrep
De motor loopt niet.	De stekker zit niet in een werkend stopcontact.	Steek de stekker in een geschikt stopcontact.
	Het stroomsnoer is defect.	Verzoek uw dichtstbijzijnde erkende Makita servicecentrum om reparatie.
	Het aandrijfsysteem werkt niet naar behoren.	
De motor stopt al na korte tijd.	Oververhitting.	Staak het gebruik van het gereedschap en laat het afkoelen.
Het maximale toerental wordt niet bereikt.	Het aandrijfsysteem werkt niet naar behoren.	Verzoek uw dichtstbijzijnde erkende Makita servicecentrum om reparatie.
Het snoeiwerktool draait niet: schakel het apparaat onmiddellijk uit!	Een hard voorwerp zoals een tak zit klem tussen de beschermkap en het snoeiwerktool.	Verwijder het klem geraakte voorwerp.
	De borgmoer van het snoeiblad zit los.	Draai de moer stevig vast zoals beschreven in deze gebruiksaanwijzing.
	Het snoeiblad is verbogen.	Vervang het snoeiblad.
	Het aandrijfsysteem werkt niet naar behoren.	Verzoek uw dichtstbijzijnde erkende Makita servicecentrum om reparatie.
Abnormale trillingen: schakel het apparaat onmiddellijk uit!	Eén uiteinde van het nylon koord is afgebroken.	Stoot de nylon snoeikop tegen de grond terwijl de snoeikop draait, om te zorgen dat er nieuw koord wordt afgewikkeld.
	Het snoeiblad is verbogen, gebarsten of versleten.	Vervang het snoeiblad.
	De borgmoer van het snoeiblad zit los.	Draai de moer stevig vast zoals beschreven in deze gebruiksaanwijzing.
	Het snoeiblad is verkeerd vastgemaakt.	
Het aandrijfsysteem werkt niet naar behoren.	Verzoek uw dichtstbijzijnde erkende Makita servicecentrum om reparatie.	
Het snoeiwerktool en de motor zijn niet te stoppen: Trek onmiddellijk de stekker uit het stopcontact!	Elektrische of elektronische storing.	Trek de stekker uit het stopcontact en verzoek uw dichtstbijzijnde erkende servicecentrum om reparatie.

OPTIONELE ACCESSOIRES

⚠ LET OP:

Deze accessoires of hulpstukken worden aanbevolen voor gebruik met uw Makita gereedschap zoals beschreven in deze gebruiksaanwijzing. Het gebruik van andere accessoires of hulpstukken kan gevaar voor persoonlijke verwonding opleveren. Gebruik de accessoires of hulpstukken uitsluitend voor het gespecificeerde doel.

Wenst u meer informatie over deze accessoires, neemt u dan contact op met het dichtstbijzijnde Makita servicecentrum.

- Snoeiblad
- Nylon snoeikop
- Nylon koord (snoeidraad)
- Schouderdraagriem

OPMERKING:

Sommige onderdelen in de lijst kunnen in de verpakking van het gereedschap zijn ingesloten als standaardaccessoires. Deze kunnen van land tot land verschillen.

Explicación de los dibujos

1 Sujetacables	10 Implemento de corte	22 Taza
2 Cable de alimentación (la forma puede variar de un país a otro)	11 Arnés de hombro	23 Tuerca
3 Empuñadura trasera	12 Amortiguación	24 Cabezal de corte con nylon
4 Palanca de desbloqueo	13 Área de corte más efectiva	25 Corta-cordón
5 Gatillo interruptor	14 Empuñadura	26 Cubierta
6 Empuñadura delantera	15 Pieza de goma	27 Colgador
7 Colgador (punto de suspensión)	16 Protector interior	28 80 – 100 mm
8 Barrera	17 Protector exterior	29 Carrete
9 Protector del implemento de corte (protector)	18 Arandela receptora	
	19 Barra redonda	
	20 Disco	
	21 Arandela de sujeción	

ESPECIFICACIONES

Modelo	UR2300	UR3502
Tipo de empuñadura	Empuñadura circular	
Longitud total	1.630 mm	
Entrada nominal continua	1.000 W	
Velocidad sin carga	5.700 min ⁻¹	5.700 min ⁻¹
Implemento de corte	Disco de corte	Cabezal de corte con nylon
Anchura de corte	230 mm	350 mm
Peso neto	4,7 kg	4,9 kg
Clase de seguridad	II/II	

- Debido a nuestro continuado programa de investigación y desarrollo, las especificaciones indicadas aquí están sujetas a cambio sin previo aviso.
- Las especificaciones pueden variar de un país a otro.
- Peso de acuerdo con el procedimiento EPTA 01/2003

Ruido	Nivel de presión del sonido promedio		Nivel de potencia del sonido promedio		Estándar aplicable
	L _{PA} (dB(A))	Ambigüedad K (dB(A))	L _{WA} (dB(A))	Ambigüedad K (dB(A))	
Implemento de corte					
Disco de corte	80,8	2,5	93,45	1,23	EN 60335-1, EN 50636-2-91, EN ISO 11806
Cabezal de corte con nylon	85,3	2,5	93,84	1,58	

- Póngase protección para los oídos.

Vibración	Empuñadura delantera		Empuñadura trasera		Estándar aplicable
	a _h (m/s ²)	Ambigüedad K (m/s ²)	a _h (m/s ²)	Ambigüedad K (m/s ²)	
Implemento de corte					
Disco de corte	2,856	1,5	2,712	1,5	EN 60335-1, EN 50636-2-91, EN ISO 11806
Cabezal de corte con nylon	2,768	1,5	2,694	1,5	

- El valor de emisión de vibración declarado ha sido medido de acuerdo con el método de prueba estándar y se puede utilizar para comparar una herramienta con otra.
- El valor de emisión de vibración declarado también se puede utilizar en una valoración preliminar de la exposición.

⚠ ADVERTENCIA:

- La emisión de vibración durante la utilización real de la herramienta eléctrica puede variar del valor de emisión declarado dependiendo de las formas en las que la herramienta sea utilizada.

- Asegúrese de identificar medidas de seguridad para proteger al operario que estén basadas en una estimación de la exposición en las condiciones reales de utilización (teniendo en cuenta todas las partes del ciclo operativo tal como los tiempos cuando la herramienta está apagada y cuando está funcionando en vacío además del tiempo de gatillo).



- Sólo para países de la Unión Europea
¡No deseche aparatos eléctricos junto con los residuos domésticos!
De conformidad con la Directiva Europea sobre residuos de aparatos eléctricos y electrónicos y su aplicación de acuerdo con la legislación nacional, los aparatos eléctricos cuya vida útil haya llegado a su fin deberán ser recogidos por separado y trasladados a una planta de reciclaje que cumpla con las exigencias ecológicas.

Símbolos

A continuación se muestran los símbolos utilizados para el equipo. Asegúrese de que entiende sus significados antes de utilizar la herramienta.



- Preste cuidado y atención especiales.



- Lea el manual de instrucciones.



- Peligro; tenga cuidado con los objetos que salen lanzados.



- La distancia entre la herramienta y los transeúntes deberá ser de al menos 15 m.



- Mantenga alejados a los transeúntes.



- Póngase casco, gafas de seguridad y protección para los oídos.



- Póngase guantes de protección.



- Póngase botas robustas con suelas antideslizantes. Se recomienda utilizar botas con protección delantera de acero.



- No exponer a la humedad.



- Desconecte la clavija de alimentación si el cable está dañado o enredado.



- Evite los retrocesos bruscos.



- Mantenga una distancia de al menos 15 m.




- DOBLE AISLAMIENTO

DECLARACIÓN CE DE CONFORMIDAD

Sólo para países europeos

La declaración CE de conformidad está incluida como Anexo A de este manual de instrucciones.

Advertencias de seguridad generales para herramientas eléctricas

 ¡ADVERTENCIA! Lea todas las advertencias de seguridad y todas las instrucciones. La no observancia de las advertencias y las instrucciones puede provocar descargas eléctricas, incendios y/o lesiones graves.

Guarde todas las advertencias e instrucciones para futuras consultas.

El término "herramienta eléctrica" usado en las advertencias de seguridad se refiere tanto a una herramienta que funciona con alimentación eléctrica (con cable) como a una herramienta que funciona con batería (inalámbrica).

Seguridad del área de trabajo

1. **Mantenga el área de trabajo limpia y bien iluminada.** Las áreas oscuras o desordenadas favorecen los accidentes.
2. **No maneje herramientas eléctricas en atmósferas explosivas, tales como aquéllas en las que haya presencia de polvo, gases o líquidos inflamables.** Las herramientas eléctricas producen chispas que pueden encender el polvo o los gases.
3. **Mantenga alejados a los niños y a las personas circundantes durante el manejo de una herramienta eléctrica.** Si se distrae, puede perder el control de la herramienta.

Seguridad en materia de electricidad

4. **El enchufe de la herramienta eléctrica debe coincidir con el tomacorriente. No modifique el enchufe de ningún modo. No utilice enchufes adaptadores con herramientas eléctricas con conexión a tierra (a masa).** El uso de enchufes sin modificar y de tomacorrientes coincidentes reducen el riesgo de descarga eléctrica.
5. **Evite el contacto corporal con superficies puestas a tierra (a masa), tales como tuberías, radiadores, fogones de cocina y frigoríficos.** Se corre más riesgo de sufrir una descarga eléctrica si el cuerpo está puesto a tierra (a masa).
6. **No exponga las herramientas eléctricas a la lluvia o a la humedad.** Si entra agua en una herramienta eléctrica, aumenta el riesgo de sufrir una descarga eléctrica.
7. **No maltrate el cable. Nunca utilice el cable para transportar la herramienta eléctrica, tirar de ella o desenchufarla.** Mantenga el cable alejado del calor, aceite, objetos cortantes o piezas móviles. Los cables dañados o enredados aumentan el riesgo de sufrir una descarga eléctrica.
8. **A la hora de manejar una herramienta eléctrica en el exterior, utilice un prolongador apropiado para uso en exteriores.** Si lo utiliza, se reduce el riesgo de sufrir una descarga eléctrica.
9. **Si el uso de una herramienta eléctrica en un lugar húmedo es inevitable, utilice una fuente de alimentación protegida por un dispositivo de corriente residual (RCD).** El uso de un RCD reduce el riesgo de descargas eléctricas.
10. **Siempre se recomienda el uso de una fuente de alimentación a través de un RCD con una corriente residual nominal de 30 mA o menos.**

Seguridad personal

11. **Esté atento, preste atención a lo que está haciendo y utilice su sentido común al manejar una herramienta eléctrica. No utilice la herramienta eléctrica cuando esté cansado o bajo la influencia de drogas, alcohol o medicamentos.** Un momento de distracción mientras maneja una herramienta eléctrica puede tener como resultado daños corporales graves.
 12. **Utilice equipo de protección personal. Utilice siempre protección ocular.** El uso de equipos de protección en las condiciones adecuadas, como mascarillas antipolvo, calzado de seguridad antideslizante, cascos o protección para los oídos, reduce el riesgo de sufrir daños corporales.
 13. **Evite el encendido accidental de la herramienta. Asegúrese de que el interruptor esté en la posición de apagado antes de conectar la herramienta a la fuente de alimentación y/o la batería, recoger la herramienta o transportarla.** Si transporta la herramienta eléctrica con su dedo en el interruptor o si enchufa la herramienta estando ésta encendida, se favorecen los accidentes.
 14. **Retire cualquier tipo de llave de ajuste antes de encender la herramienta eléctrica.** Si se deja alguna llave puesta en una pieza giratoria de la herramienta eléctrica, puede sufrir daños corporales.
 15. **No haga demasiadas cosas al mismo tiempo. Mantenga la postura adecuada y el equilibrio en todo momento.** De esta manera tendrá un mejor control de la herramienta eléctrica en situaciones inesperadas.
 16. **Use vestimenta apropiada. No lleve ropas sueltas ni joyas. Mantenga el cabello, las ropas y los guantes alejados de las piezas móviles.** Las ropas sueltas, las joyas o el cabello largo pueden quedar atrapados en ellas.
 17. **Si se proveen dispositivos para la conexión de equipos de extracción y recolección de polvo, asegúrese de que estén conectados y de que se utilicen adecuadamente.** La recolección del polvo puede reducir los peligros relacionados con el polvo.
- ### Uso y mantenimiento de la herramienta eléctrica
18. **No fuerce la herramienta eléctrica. Utilice la herramienta eléctrica correcta para su aplicación.** La herramienta eléctrica adecuada hará un trabajo mejor y más seguro a la velocidad para la que ha sido fabricada.
 19. **No utilice la herramienta eléctrica si el interruptor no se enciende y apaga.** Toda herramienta eléctrica que no pueda controlarse con el interruptor es peligrosa y debe repararse.
 20. **Desconecte la herramienta eléctrica de la fuente de suministro eléctrico y/o batería antes de realizar algún ajuste, cambiar accesorios o almacenar la herramienta.** Dichas medidas de seguridad preventivas reducen el riesgo de poner en marcha la herramienta eléctrica de forma accidental.
 21. **Si no usa la herramienta eléctrica, guárdela fuera del alcance de los niños, y no permita que las personas que no están familiarizadas con ella o con estas instrucciones la manejen.** Las herramientas eléctricas son peligrosas en manos de personas que no están debidamente capacitadas.

22. **Realice el mantenimiento de las herramientas eléctricas. Compruebe si las piezas móviles están desalineadas o agarrotadas, si hay piezas rotas o si existe algún otro estado que pueda afectar al funcionamiento de la herramienta eléctrica. Si estuviera dañada, repárela antes de utilizarla.** Muchos accidentes se producen porque la herramienta eléctrica no tiene un buen mantenimiento.
23. **Mantenga las herramientas de corte limpias y afiladas.** Si reciben un mantenimiento adecuado y tienen los bordes afilados, es menos probable que las herramientas se agarroten y, a la vez, son más fáciles de controlar.
24. **Utilice la herramienta eléctrica, los accesorios, las barrenas, etc., de acuerdo con estas instrucciones; tenga en cuenta las condiciones de trabajo y el trabajo a realizar.** Si utiliza la herramienta eléctrica para realizar operaciones distintas de las previstas, puede presentarse una situación peligrosa.

Reparación

25. **Haga que su herramienta eléctrica sea reparada por una persona cualificada que utilice solamente repuestos idénticos a los que tiene la unidad.** De esta manera se asegurará de que se mantenga la seguridad de la herramienta eléctrica.
26. **Siga las instrucciones para lubricar y cambiar accesorios.**
27. **Mantenga las empuñaduras secas, limpias y libres de aceite y grasa.**

INSTRUCCIONES DE SEGURIDAD IMPORTANTES

⚠ ¡ADVERTENCIA! Lea todas las advertencias de seguridad y todas las instrucciones. Si no sigue todas las advertencias e instrucciones podrá ocasionar una descarga eléctrica, un incendio y/o heridas graves.

Guarde todas las advertencias e instrucciones para futuras referencias.

Uso previsto

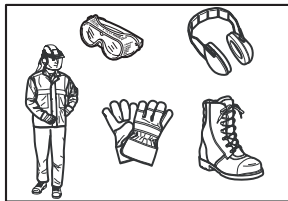
1. La desbrozadora/desbrozador/desbrozador a cordón ha sido prevista para cortar hierba, maleza, arbustos y brozas solamente. No debe ser utilizada con ninguna otra finalidad como para rodear o cortar setos porque puede ocasionar heridas.

Instrucciones generales

1. No permita nunca que personas no familiarizadas con estas instrucciones, personas (incluidos niños) con capacidades físicas, sensoriales o mentales mermadas, o sin experiencia y conocimientos utilicen la herramienta. Los niños pequeños deberán ser supervisados para asegurarse de que no juegan con la herramienta.
2. Antes de poner en marcha la herramienta, lea este manual de instrucciones para familiarizarse con el manejo de la herramienta.
3. No preste la herramienta a una persona que no tenga suficiente experiencia o conocimientos sobre el manejo de los desbrozadores y desbrozadores a cordón.
4. Cuando preste la herramienta, incluya siempre este manual de instrucciones.
5. Maneje la herramienta con sumo cuidado y atención.

6. No utilice nunca la herramienta después de haber consumido alcohol o drogas, ni si se siente cansado o enfermo.
7. No intente nunca modificar la herramienta.
8. Tenga cuidado de no dañarse con cualquier dispositivo colocado para recortar la longitud de la línea de filamento. Después de extender una línea de filamento nueva vuelva a poner siempre la máquina en su posición de operación normal antes de encenderla.
9. Siga los reglamentos de su país sobre el manejo de los desbrozadores y desbrozadores a cordón.

Equipo de protección personal



1. Póngase casco de seguridad, gafas de protección y guantes de protección para protegerse de los restos que salen despedidos u objetos que puedan caer.
2. Póngase protección para los oídos como orejeras para evitar pérdida auditiva.
3. Póngase ropa y calzado apropiados para trabajar con seguridad, como un overol (mono) de trabajo y botas antideslizantes robustas. No se ponga ropa holgada ni joyas. La ropa holgada, las joyas y el pelo largo pueden engancharse en las partes en movimiento.
4. Cuando vaya a tocar el disco de corte, póngase guantes de protección. Los discos de corte pueden cortar las manos desnudas gravemente.

Seguridad en el área de trabajo

1. Utilice la herramienta solamente en buenas condiciones de visibilidad y luz diurna. No utilice la herramienta en la oscuridad o con niebla.
2. No utilice la herramienta en atmósferas explosivas, como en la presencia de líquidos, gases o polvo inflamables. La herramienta crea chispas que pueden prender fuego al polvo o los humos.
3. Durante la operación, no se ponga nunca en una superficie inestable o resbaladiza ni en una pendiente pronunciada. Durante la estación fría, tenga cuidado con el hielo y la nieve y asegúrese siempre de que pisa suelo firme.
4. Durante la operación, mantenga a los transeúntes o animales alejados al menos 15 metros de la herramienta. Pare la herramienta tan pronto como alguien se acerque.
5. Antes de la operación, examine el área de trabajo por si hay piedras u otros objetos sólidos. Estos objetos pueden salir lanzados u ocasionar peligrosos retrocesos bruscos y resultar en heridas graves y/o daños a la propiedad.

6. **⚠️ ADVERTENCIA:** La utilización de este producto puede crear polvo con contenido de productos químicos que puede ocasionar problemas respiratorios u otras enfermedades. Algunos ejemplos de estos productos químicos son los compuestos encontrados en pesticidas, insecticidas, fertilizantes y herbicidas. El riesgo al que se expone variará, dependiendo de la frecuencia con la que realice este tipo de trabajo. Para reducir la exposición a estos productos químicos: trabaje en un área bien ventilada, y póngase el equipo de seguridad indicado, tal como esas máscaras contra el polvo que están especialmente diseñadas para filtrar partículas microscópicas.

Seguridad eléctrica

- Las clavijas de alimentación de las herramientas eléctricas deberán ser apropiadas para la toma de corriente. No modifique nunca la clavija de ninguna forma. No utilice ninguna clavija adaptadora con herramientas eléctricas que tengan conexión a tierra (puesta a tierra).** La utilización de clavijas no modificadas y tomas de corriente apropiadas para las clavijas reducirá el riesgo de que se produzca una descarga eléctrica.
- Evite tocar con el cuerpo superficies conectadas a tierra o puestas a tierra como tubos, radiadores, cocinas y refrigeradores.** Si su cuerpo es puesto a tierra o conectado a tierra existirá un mayor riesgo de que sufra una descarga eléctrica.
- No exponga la herramienta a la lluvia ni a condiciones húmedas. La entrada de agua en la herramienta aumentará el riesgo de que se produzca una descarga eléctrica.
- No haga mal uso del cable. No utilice nunca el cable para transportar, arrastrar o desenchufar la herramienta eléctrica. Mantenga el cable alejado del calor, aceite, bordes cortantes o partes en movimiento.** Los cables dañados o enredados aumentarán el riesgo de que se produzca una descarga eléctrica.
- No utilice la herramienta si el interruptor no la enciende y apaga. Cualquier herramienta que no pueda ser controlada con el interruptor será peligrosa y deberá ser reparada.
- Cuando utilice una herramienta eléctrica en exteriores, utilice un cable de extensión apropiado para uso en exteriores.** La utilización de un cable apropiado para uso en exteriores reduce el riesgo de que se produzca una descarga eléctrica.
- Si resulta inevitable utilizar una herramienta eléctrica en un lugar húmedo, utilice un suministro de corriente protegido con un interruptor diferencial.** La utilización de un interruptor diferencial reduce el riesgo de que se produzca una descarga eléctrica.
- Se recomienda utilizar siempre una fuente de alimentación a través de un interruptor diferencial con una corriente residual nominal de 30 mA o menos.**
- Evite los arranques indeseados. Asegúrese de que el interruptor está en la posición desactivada antes de conectar a la toma de corriente, coger la herramienta o transportarla. Transportar herramientas eléctricas con el dedo en el interruptor o conectar la alimentación a herramientas eléctricas que tienen el interruptor activado invita a accidentes.

- Antes de la utilización, compruebe los cables de alimentación y de extensión por si hay signos de daño o envejecimiento.
- Si el cable se daña durante la utilización, desconéctelo de la toma de corriente inmediatamente. **No toque el cable antes de desconectarlo de la toma de corriente.**
- No utilice la herramienta si los cables están dañados o desgastados.
- Mantenga el cable de extensión alejado de los implementos de corte.

Puesta en funcionamiento

- Antes de ensamblar o ajustar la herramienta, desconecte la clavija de la toma de corriente.
- Cuando vaya a manejar el disco de corte, póngase guantes de protección.
- Antes de enchufar la herramienta, inspecciónela por si hay daños, tornillos/tuercas aflojados o algo mal ensamblado. Afíle el disco si está desafilado. Si el disco de corte está torcido o dañado, reemplácelo. Compruebe todas las palancas de control e interruptores para ver que funcionan con facilidad. Limpie y seque las empuñaduras.
- No intente nunca encender la herramienta si está dañada o no ensamblada completamente. De lo contrario podrá resultar en heridas graves.
- Retire cualquier llave de ajuste o llave de apriete antes de encender la herramienta. Una llave de ajuste o llave de apriete que haya sido dejada puesta en una parte giratoria de la herramienta podrá resultar en heridas personales.
- Ajuste el arnés de hombro y la empuñadura de acuerdo con el tamaño del cuerpo del operario.
- Cuando vaya a enchufar la herramienta, mantenga el implemento de corte alejado de su cuerpo y de otros objetos, incluido el suelo. Podrá girar cuando sea enchufada y ocasionar heridas o daños a la herramienta y/o a la propiedad.

Operación

- En caso de una emergencia, apague la herramienta inmediatamente.
- Si siente cualquier condición anormal (por ejemplo, ruido, vibración) durante la operación, apague la herramienta. No utilice la herramienta hasta haber reconocido y resuelto la causa.
- Advertencia. El implemento de corte seguirá girando durante un corto periodo después de apagar la herramienta. No corra a tocar el implemento de corte.
- Durante la operación, utilice el arnés de hombro. Mantenga la herramienta en su costado derecho firmemente.
- No utilice la herramienta donde no alcance. Mantenga los pies sobre suelo firme y el equilibrio en todo momento. Tenga cuidado con los obstáculos ocultos como tocones de árbol, raíces y zanjas para evitar tropezar.
- No trabaje nunca subido en una escalera o árbol para evitar la pérdida del control.
- Antes de utilizar la máquina y después de recibir cualquier impacto o caída fuerte, compruebe la condición antes de continuar trabajando. Compruebe los controles y los dispositivos de seguridad por si no funcionan bien. Si hay algún daño o tiene dudas, pregunte a nuestro centro de servicio autorizado para que le hagan la inspección y reparación.

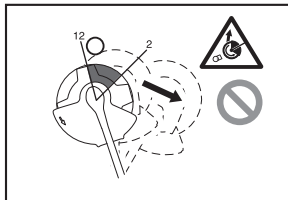
8. No toque la caja de engranajes. La caja de engranajes se calienta durante la operación.
9. Descanse para evitar la pérdida de control a causa de la fatiga. Se recomienda tomar un descanso de 10 a 20-minutos cada hora.
10. Cuando deje la herramienta, aunque sólo sea un rato corto, retire siempre la clavija de alimentación. La herramienta desatendida con la clavija de alimentación enchufada puede ser utilizada por personas no autorizadas y ocasionar un accidente grave.
11. Si hierba o ramas se enganchan entre el implemento de corte y el protector, apague siempre la herramienta y retire la clavija de alimentación antes de limpiar. De lo contrario el implemento de corte podrá girar involuntariamente y ocasionar heridas graves.
12. Si el implemento de corte golpea piedras u otros objetos duros, apague la herramienta inmediatamente. Después retire la clavija de alimentación e inspeccione el implemento de corte.
13. Compruebe el implemento de corte con frecuencia durante la operación por si tiene grietas o daños. Antes de la inspección, retire la clavija de alimentación y espere hasta que el implemento de corte se detenga completamente. Reemplace el implemento de corte dañado inmediatamente, aunque solo tenga grietas superficiales.
14. No corte nunca por encima de la altura de la cintura.
15. Antes de comenzar la operación de corte, espere hasta que el implemento de corte alcance plena velocidad después de encender la herramienta.
16. Cuando utilice discos metálicos, balancee la herramienta uniformemente en medio círculo de derecha a izquierda, como si utilizase una guadaña.
17. Sujete la herramienta por las superficies de asiento aisladas solamente, porque el disco de corte puede entrar en contacto con cableado oculto. El contacto de los discos de corte con un cable con corriente hará que la corriente circule por las partes metálicas expuestas de la herramienta y podrá soltar una descarga eléctrica al operario.
18. Asegúrese siempre de mantener las aberturas de ventilación libres de residuos.

Implementos de corte

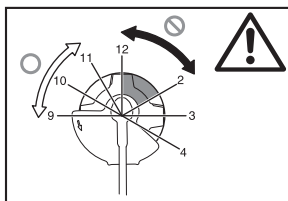
1. Utilice un implemento de corte apropiado para la tarea en cuestión.
 - Los cabezales de corte con nylon (cabezales de desbrozador a cordón) son apropiados para cortar césped.
 - Los discos metálicos son apropiados para cortar malas hierbas, hierbas altas, arbustos, matorrales, brozas, matorrales, y similares.
 - No utilice nunca otros discos, incluidas las cadenas pivotantes metálicas de múltiples piezas y los discos frágiles. Podrá resultar en heridas graves.
2. Utilice siempre el protector de implemento de corte debidamente y apropiado para el implemento de corte utilizado.
3. No coloque nunca implementos de corte metálicos en modelos de corte con nylon.
4. Cuando utilice discos metálicos, evite "retrocesos bruscos" y esté siempre preparado para un retroceso brusco. Consulte la sección "Retroceso brusco".

Retroceso brusco (tirón del disco)

1. El retroceso brusco (tirón del disco) es una reacción repentina al aprisionamiento o estancamiento del disco de corte. Una vez que esto ocurre, la herramienta es lanzada lateralmente o hacia el operario con gran fuerza y puede ocasionar heridas graves.
2. Los retrocesos bruscos ocurren particularmente cuando se cortan arbustos y árboles de un diámetro de 3 cm o más con un segmento del disco de entre las 12 y las 2 del reloj.



3. Para evitar los retrocesos bruscos:
 - Utilice el segmento de entre las 8 y las 11 del reloj.
 - No utilice nunca el segmento de entre las 12 y las 2 del reloj.
 - El segmento de entre las 11 y las 12 del reloj y el segmento de entre las 2 y las 5 del reloj no se deben utilizar nunca a menos que el operario esté bien adiestrado, tenga experiencia y asuma sus propios riesgos.
 - No utilice nunca discos de corte cerca de objetos sólidos como vallas, paredes, troncos de árbol y piedras.
 - No utilice nunca los discos de corte verticalmente, para operaciones como rebordear y recortar setos.



Vibración

1. Las personas con mala circulación sanguínea que se expongan a una vibración excesiva podrán sufrir heridas en los vasos sanguíneos o el sistema nervioso. La vibración puede causar la aparición de los síntomas siguientes en los dedos, manos y muñecas: "Quedarse dormidos" (entumecimiento), hormigueo, dolor, sensación de pinchazo, alteración del color de la piel o de la piel. Si siente cualquiera de estos síntomas, ¡consulte un médico!
2. Para reducir el riesgo de la "enfermedad de dedos blancos", mantenga sus manos calientes durante la utilización y mantenga en buen estado la herramienta y los accesorios.

Transporte

1. Antes de transportar la herramienta, apáguela y retire la clavija alimentación. Ponga la cubierta al disco de corte.
2. Cuando transporte la herramienta, llévela en posición horizontal cogiéndola por el eje.
3. Cuando transporte la herramienta en un vehículo, sujétela debidamente para evitar que se vuelque. De lo contrario resultará en daños a la herramienta y a otro equipaje.

Mantenimiento

1. Haga que su herramienta revisada por nuestro centro de servicio autorizado, utilizando siempre solamente piezas de repuesto genuinas. Una reparación incorrecta y un mal mantenimiento pueden acortar la vida útil de la herramienta y aumentar el riesgo de accidentes.
2. Antes de hacer cualquier trabajo de mantenimiento o reparación o de limpiar la herramienta, siempre apáguela y retire la clavija de alimentación.
3. Póngase siempre guantes de protección cuando maneje el disco de corte.
4. Limpie siempre el polvo y la suciedad de la herramienta. No utilice nunca gasolina, bencina, disolvente, alcohol o similares para ello. Podrá resultar en decoloración, deformación o agrietamiento de los componentes de plástico.
5. Después de cada utilización, apriete todos los tornillos y tuercas.
6. No intente hacer ningún mantenimiento o reparación no descrito en el manual de instrucciones. Pida a nuestro centro de servicio autorizado que le haga esos trabajos.
7. Utilice siempre solamente nuestras piezas de repuesto y accesorios genuinos. La utilización de piezas o accesorios suministrados por terceras personas podrá resultar en una rotura de la herramienta, daños a la propiedad y/o heridas graves.
8. Solicite a nuestro centro de servicio autorizado que le inspeccione y mantenga la herramienta a intervalos regulares.

Almacenamiento

1. Antes de almacenar la herramienta, realice una limpieza y mantenimiento completos. Retire la clavija de alimentación. Ponga la cubierta al disco de corte.
2. Almacene la herramienta en un lugar seco y alto o cerrado con llave alejada del alcance de los niños.
3. No apoye la herramienta contra algo, como una pared. De lo contrario podrá caerse repentinamente y ocasionar una herida.

Primeros auxilios

1. Tenga siempre un botiquín de primeros auxilios a mano. Reemplace inmediatamente cualquier artículo que coja del botiquín de primeros auxilios.
2. Cuando tenga que pedir ayuda, dé la información siguiente:
 - Lugar del accidente
 - Qué ha ocurrido
 - Número de personas heridas
 - Naturaleza de las heridas
 - Su nombre

GUARDE ESTAS INSTRUCCIONES.

⚠ ADVERTENCIA:

NO deje que la comodidad o familiaridad con el producto (a base de utilizarlo repetidamente) sustituya la estricta observancia de las normas de seguridad para el producto en cuestión. El MAL USO o el no seguir las normas de seguridad establecidas en este manual de instrucciones pueden ocasionar heridas personales graves.

DESCRIPCIÓN DE LAS PARTES (Fig. 1)

DESCRIPCIÓN DEL FUNCIONAMIENTO

⚠ ADVERTENCIA:

- **Asegúrese siempre de que la herramienta está apagada y desenchufada antes de ajustar o comprobar las funciones de la herramienta.** Si no apaga y desenchufa la herramienta podrá sufrir heridas personales graves a causa de una puesta en marcha accidental.

Accionamiento del interruptor de alimentación (Fig. 2)

⚠ ADVERTENCIA:

- **Antes de enchufar la herramienta, compruebe siempre para cerciorarse de que el gatillo interruptor se acciona debidamente y que vuelve a la posición "OFF" cuando lo suelta. No apriete el gatillo interruptor con fuerza sin deslizar la palanca de desbloqueo. Esto podrá ocasionar la rotura del interruptor.** La utilización de una herramienta con un interruptor que no se acciona debidamente puede dar lugar a la pérdida de control y heridas personales graves.

Para evitar que el gatillo pueda accionarse accidentalmente, se ha provisto una palanca de desbloqueo.

Para poner en marcha la herramienta, deslice la palanca de desbloqueo hacia delante y después apriete el gatillo interruptor. Suelte el gatillo interruptor para parar.

Cabezal de corte con nylon (Fig. 3)

AVISO:

- No intente soltar cordón golpeando el cabezal mientras la herramienta está funcionando a altas RPM. Soltar cordón golpeando el cabezal a altas RPM puede ocasionar daños al cabezal de corte con nylon.
- Soltar cordón golpeando el cabezal no funcionará debidamente si el cabezal no está girando.

NOTA:

- Los accesorios de serie varían dependiendo del modelo y el país.

El cabezal de corte con nylon es un cabezal dual para cortar hierba provisto de un mecanismo para soltar cordón golpeando el cabezal.

Para soltar cordón de nylon, golpee el cabezal de corte contra el suelo mientras el cabezal de corte está girando.

NOTA:

- Si el cordón de nylon no se suelta mientras golpea el cabezal, rebobine o reemplace el cordón de nylon siguiendo los procedimientos descritos en "Mantenimiento".

Sujetacables (Fig. 4)

Haga un pequeño lazo en el cable de alimentación, y cuélguelo en el sujetacables.

MONTAJE

⚠ ADVERTENCIA:

- Asegúrese siempre de que la herramienta está apagada y desenchufada antes de realizar cualquier trabajo en la herramienta. Si no apaga y desenchufa la herramienta podrá sufrir heridas personales graves a causa de una puesta en marcha accidental.
- No ponga nunca en marcha la herramienta a menos que esté completamente ensamblada. La utilización de la herramienta en un estado parcialmente ensamblado podrá resultar en heridas personales graves a causa de un arranque accidental.

Instalación de la empuñadura (Fig. 5)

⚠ ADVERTENCIA:

- No retire ni encoja el espaciador ni la amortiguación. El espaciador mantiene cierta distancia entre ambas manos. Si pone el conjunto de empuñadura/barrera más cerca de la otra empuñadura que la longitud del espaciador podrá ocasionar una pérdida de control y heridas personales.

Encaje la empuñadura y la barrera en la pieza de goma del tubo del eje. Ajuste la ubicación de la empuñadura, y después apriételes con cuatro pernos.

Combinación de implemento de corte y protector aprobada

⚠ ADVERTENCIA:

- Utilice siempre la herramienta con la combinación de equipos de seguridad aprobada. De lo contrario el contacto con un implemento de corte podrá ocasionar heridas graves.
- No utilice nunca la herramienta sin el protector mostrado en la ilustración colocado su sitio. En caso contrario pueden producirse heridas personales graves.

NOTA:

- Los accesorios de serie varían dependiendo del modelo y el país.

Para disco de corte (Fig. 6)

Para cabezal de corte con nylon (Fig. 7)

Instalación del protector para disco de corte (Fig. 8)

1. Alinee los agujeros del protector interior y los agujeros de la caja de engranajes.
2. Después apriételes con tres pernos.

Instalación del protector para el cabezal de corte con nylon

⚠ PRECAUCIÓN:

- Tenga cuidado de no herirse con el corta-cordón para cortar el cordón de nylon.
- No se olvide de retirar el protector del implemento antes de utilizar.

1. Alinee los cuatro pernos del protector exterior con los orificios del protector interior. (Fig. 9)
2. Apriételes con los cuatro pernos.
3. Alinee los agujeros del protector interior y los agujeros de la caja de engranajes.
4. Apriételes con los pernos. (Fig. 10)

Instalación del disco de corte

⚠ ADVERTENCIA:

- El diámetro exterior del disco de corte debe ser de 230 mm. No utilice nunca ningún disco que exceda los 230 mm de diámetro exterior.

⚠ PRECAUCIÓN:

- El disco de corte debe estar bien pulido y libre de grietas y roturas. Pula o sustituya le disco de corte cada tres horas de operación.
- Póngase siempre guantes cuando maneje el disco de corte.
- Ponga siempre la cubierta al disco cuando la herramienta no esté siendo utilizada o cuando esté siendo transportada.
- La tuerca de apriete del disco de corte se desgasta con el paso del tiempo. Si aparece en la tuerca cualquier desgaste o deformación, reemplácela. Pida a su centro de servicio autorizado que se la consigan.

AVISO:

- Asegúrese de utilizar un disco de corte genuino.

Ponga la herramienta bocabajo para facilitar el reemplazo del disco de corte. (Fig. 11)

1. Coloque la arandela receptora en el eje.
2. Gire la arandela receptora hasta que la muesca en ella coincida con la muesca de la caja de engranajes.
3. Inserte la barra redonda a través de ambas muescas para que la arandela receptora no pueda girar.
4. Ponga el disco sobre la arandela receptora.
5. Ponga la arandela de sujeción sobre el disco.
6. Ponga la taza sobre el disco.
7. Apriételes con la tuerca girándola hacia la izquierda mientras sujeta la barra redonda.

Para retirar el disco, realice los pasos de arriba a la inversa.

Instalación del cabezal de corte con nylon (Fig. 12)

AVISO:

- Asegúrese de utilizar un cabezal de corte con nylon genuino.

Ponga la herramienta bocabajo para facilitar el reemplazo del cabezal de corte con nylon.

NOTA:

- Retire la cubierta del corta-cordón antes de utilizarlo.
1. Coloque la arandela receptora en el eje.
 2. Gire la arandela receptora hasta que la muesca en ella coincida con la muesca de la caja de engranajes.
 3. Inserte la barra redonda a través de ambas muescas para que la arandela receptora no pueda girar.
 4. Encaje el cabezal de corte con nylon girándolo hacia la izquierda.
 5. Retire la barra redonda después de instalar el cabezal de corte con nylon.

Para retirar el cabezal de corte con nylon, realice los pasos de arriba a la inversa.

OPERACIÓN

Manejo correcto de la herramienta (Fig. 13)

Postura correcta

ADVERTENCIA:

- **Ponga siempre la herramienta en su costado derecho para que la barrera esté siempre delante de su cuerpo.** La correcta posición de la herramienta permite ejercer un control óptimo y reducirá el riesgo de sufrir heridas personales ocasionadas por un retroceso brusco.

PRECAUCIÓN:

- **Si durante la operación el implemento de corte golpea accidentalmente una roca u objeto duro, pare la herramienta e inspeccione si hay algún daño. Si el implemento de corte está dañado, reemplácelo inmediatamente.** La utilización de un implemento de corte dañado puede resultar en heridas personales graves.

Ponga el arnés de hombro en su hombro izquierdo pasando la cabeza y el brazo derecho a través del mismo y mantenga la herramienta en su costado derecho mientras mantiene la barrera siempre delante de su cuerpo.

Fijación del arnés de hombro (Fig. 14)

Ajuste la longitud del arnés de forma que el implemento de corte se mantenga paralelo al suelo.

Conecte el colgador y el arnés.

ADVERTENCIA:

- **Tenga sumo cuidado para mantener el control de la herramienta en todo momento. No deje que la herramienta se tuerza hacia usted ni hacia cualquiera que esté cerca del área de trabajo.** No mantener el control de la herramienta podrá resultar en heridas graves a los transeúntes y al operario.

Ajuste de la posición del colgador y del arnés de hombro (Fig. 15)

Ajuste la posición del colgador como se muestra en la ilustración. (Fig. 16)

Para cambiar la posición del colgador, afloje el perno del colgador. Después mueva el colgador.

Después de ajustar la posición del colgador, apriete el perno con la llave firmemente.

MANTENIMIENTO

ADVERTENCIA:

- **Asegúrese siempre de que la herramienta está apagada y desenchufada antes de intentar realizar una inspección o mantenimiento en la herramienta.** Si no apaga y desenchufa la herramienta podrá sufrir heridas personales graves a causa de una puesta en marcha accidental.

AVISO:

- No utilice nunca gasolina, bencina, disolvente, alcohol o similares. Podría resultar en decoloración, deformación o grietas.

Reemplazo del cordón de nylon (Fig. 17)

ADVERTENCIA:

- **Asegúrese de que el cabezal de corte con nylon está sujetado a la herramienta debidamente antes de comenzar la operación.** No sujetar debidamente el cabezal de corte con nylon podrá ocasionar que salga despedido resultando en heridas personales graves.
1. Retire el cabezal de corte con nylon.
 2. Quite la cubierta, presionando los dos enganches situados de forma opuesta en la sección ranurada en el lateral de la taza.
 3. Retire el carrete. Y retire el cordón de nylon viejo del carrete.
 4. Corte una línea de nylon de 3 – 6 m. Doble la línea de corte en dos mitades, dejando una mitad 80 – 100 mm más larga que la otra. (Fig. 18)
 5. Enganche el cordón de nylon nuevo por la mitad en la muesca ubicada en el centro del carrete entre los dos canales provistos para el cordón de nylon. (Fig. 19)
 6. Bobine ambos extremos firmemente a lo largo de los canales en la dirección indicada por la marca de flecha en el carrete. (Fig. 20)
 7. Pase los cordones de nylon a través de los ojales para que salgan por fuera de la taza.
 8. Alinee el saliente de la parte inferior de la cubierta con las ranuras de los ojales. Después empuje la cubierta firmemente sobre la taza para sujetarla. Asegúrese de que los enganches se extienden completamente en la cubierta.

Para mantener la SEGURIDAD y FIABILIDAD del producto, las reparaciones, cualquier otro mantenimiento o ajuste deberán ser realizados en Centros de servicio autorizados por Makita, empleando siempre piezas de repuesto Makita.

INTERVALO DE MANTENIMIENTO

Partes:	Intervalo:	Cómo:
Cable de alimentación	Cada vez antes de utilizar	Inspeccione visualmente que no está muy gastado o dañado. Si está dañado, pida a su centro de servicio autorizado que lo reparen.
Tornillo de la empuñadura auxiliar	Cada vez antes de utilizar	Compruebe que el tornillo no está flojo. Apriete el tornillo si está flojo. Reemplace el tornillo si está dañado.
Protector del implemento de corte (protector)	Cada vez antes de utilizar	Compruebe que el tornillo no está flojo, que el protector no está dañado. Apriete el tornillo si está flojo. Reemplace el protector si está dañado.
Disco de corte	Cada 10 horas	Lubrique con aceite anticorrosivo después de cada utilización. Compruebe que no está dañado. Reemplácelo si está dañado.
Cabezal de corte con nylon	Cada 10 horas	Inspeccione visualmente que no está muy gastado o dañado. Reemplácelo si está dañado.
Eje de engranajes	Cada 10 horas	Lubrique con aceite anticorrosivo.

SOLUCIÓN DE PROBLEMAS

Antes de solicitar reparaciones, realice su propia inspección en primer lugar. Si encuentra un problema que no está explicado en el manual, no intente desmontar la herramienta. En su lugar, pregunte en Centros de Servicio autorizados por Makita, utilizando siempre piezas de repuesto Makita para las reparaciones.

Estado de malfuncionamiento	Causa	Acción
El motor no se pone en marcha.	El cable de alimentación no está enchufado.	Enchufe el cable de alimentación.
	El cable de alimentación está roto.	Pida a su centro de servicio autorizado que se lo reparen.
	El sistema de transmisión no funciona correctamente.	
El motor se para después de usarlo un poco.	Recalentamiento.	Detenga la utilización de la herramienta y deje que se enfríe.
No alcanza el máximo de RPM.	El sistema de transmisión no funciona correctamente.	Pida a su centro de servicio autorizado que se lo reparen.
El implemento de corte no gira: ¡detenga la máquina inmediatamente!	Hay atascado un objeto extraño tal como una rama entre el protector y el implemento de corte.	Retire el objeto extraño.
	La tuerca de apriete del disco de corte se ha aflojado.	Apriete la tuerca debidamente como se describe en este manual.
	El disco de corte está doblado.	Reemplace el disco de corte.
	El sistema de transmisión no funciona correctamente.	Pida a su centro de servicio autorizado que se lo reparen.
Vibración anormal: ¡detenga la máquina inmediatamente!	Un extremo del cordón de nylon se ha roto.	Golpee el cabezal de corte con nylon contra el suelo mientras está girando para hacer que salga cordón.
	El disco de corte está doblado, agrietado o gastado.	Reemplace el disco de corte.
	La tuerca de apriete del disco de corte se ha aflojado.	Apriete la tuerca debidamente como se describe en este manual.
	El disco de corte ha sido apretado incorrectamente.	
El sistema de transmisión no funciona correctamente.	Pida a su centro de servicio autorizado que se lo reparen.	
El implemento de corte y el motor no se pueden parar: ¡desconecte la clavija de alimentación inmediatamente!	Mal funcionamiento eléctrico o electrónico.	Desconecte la clavija de alimentación y pida a su centro de servicio autorizado que se la reparen.

ACCESORIOS OPCIONALES

PRECAUCIÓN:

- Estos accesorios o acoplamientos están recomendados para utilizar con la herramienta Makita especificada en este manual. La utilización de cualquier otro accesorio o acoplamiento podrá suponer un riesgo de sufrir heridas personales. Utilice los accesorios o acoplamientos solamente para el propósito que han sido diseñados.

Si necesita cualquier tipo de asistencia para conocer más detalles en relación con estos accesorios, pregunte al centro de servicio Makita local.

- Disco de corte
- Cabezal de corte con nylon
- Cordón de nylon (línea de corte)
- Arnés de hombro

NOTA:

- Algunos elementos de la lista podrán estar incluidos en el paquete de la herramienta como accesorios de serie. Pueden variar de un país a otro.

Explicação da vista geral

1 Suporte do cabo	9 Resguardo da ferramenta de corte (protetor)	19 Barra cilíndrica
2 Cabo de alimentação de energia (a forma pode diferir de país para país)	10 Ferramenta de corte	20 Lâmina
3 Pega traseira	11 Arnês para o ombro	21 Anilha abraçadeira
4 Patilha de desbloqueio	12 Almofada amortecedora	22 Copo
5 Disparador tipo interruptor	13 Área de corte mais eficaz	23 Porca
6 Pega dianteira	14 Pega	24 Cabeça de corte de nylon
7 Suspensor (ponto de suspensão)	15 Peça de borracha	25 Cortador do cordel
8 Limitador	16 Protetor interno	26 Tampa
	17 Protetor externo	27 Suspensor
	18 Anilha de recepção	28 80 – 100 mm
		29 Carretel

ESPECIFICAÇÕES

Modelo	UR2300	UR3502
Tipo de pega	Pega de laçada	
Comprimento geral	1.630 mm	
Tensão contínua de entrada	1.000 W	
Velocidade em vazio	5.700 min ⁻¹	5.700 min ⁻¹
Ferramenta de corte	Lâmina de corte	Cabeça de corte de nylon
Largura de corte	230 mm	350 mm
Peso líquido	4,7 kg	4,9 kg
Classe de segurança	II/II	

- Devido a um programa contínuo de pesquisa e desenvolvimento, estas especificações podem ser alteradas sem aviso prévio.
- As especificações podem diferir de país para país.
- Peso de acordo com o procedimento EPTA 01/2003

Ruído	Nível médio de pressão acústica		Nível médio de potência sonora		Normas aplicáveis
	L _{PA} (dB(A))	K de incerteza (dB(A))	L _{WA} (dB(A))	K de incerteza (dB(A))	
Ferramenta de corte					
Lâmina de corte	80,8	2,5	93,45	1,23	EN 60335-1, EN 50636-2-91, EN ISO 11806
Cabeça de corte de nylon	85,3	2,5	93,84	1,58	

- Utilize protetores para os ouvidos.

Vibração	Pega frontal		Pega traseira		Normas aplicáveis
	a _h (m/s ²)	K de incerteza (m/s ²)	a _h (m/s ²)	K de incerteza (m/s ²)	
Ferramenta de corte					
Lâmina de corte	2,856	1,5	2,712	1,5	EN 60335-1, EN 50636-2-91, EN ISO 11806
Cabeça de corte de nylon	2,768	1,5	2,694	1,5	

- O valor da emissão de vibração indicado foi medido de acordo com o método de teste padrão e pode ser utilizado para comparar duas ferramentas.
- O valor da emissão de vibração indicado pode também ser utilizado na avaliação preliminar da exposição.

⚠️ AVISO:

- A emissão de vibração durante a utilização real da ferramenta elétrica pode diferir do valor de emissão indicado, dependendo das formas como a ferramenta é utilizada.
- Certifique-se de identificar as medidas de segurança para proteção do operador que sejam baseadas em uma estimativa de exposição em condições reais de utilização (considerando todas as partes do ciclo de operação, tal como quando a ferramenta está desligada e quando está a funcionar em marcha lenta além do tempo de acionamento).

Símbolos

O seguinte mostra os símbolos utilizados para a ferramenta. Certifique-se de que compreende o seu significado antes da utilização.



- Tenha especial cuidado e atenção.



- Leia o manual de instruções.



- Perigo: tenha cuidado com objetos arremessados.



- Deve-se manter uma distância de pelo menos 15 m entre a ferramenta e as pessoas presentes.



- Mantenha as pessoas presentes afastadas.



- Use um capacete, óculos de proteção e protetores auditivos.



- Utilize luvas de proteção.



- Utilize botas robustas com sola anti-derrapante. Recomenda-se a utilização de botas de segurança com proteção dos dedos em aço.



- Não exponha à humidade.



- Desligue a ficha da tomada de alimentação elétrica se o cabo ficar danificado ou embaraçado.



- Evite o recuo.



- Mantenha uma distância de, pelo menos, 15 m.



- ISOLAMENTO DUPLO



- Apenas para os países da União Europeia
Não elimine os equipamentos elétricos junto com o lixo doméstico! De acordo com a diretiva europeia relativa aos resíduos de equipamentos elétricos e eletrónicos e à sua implementação de acordo com as leis nacionais, os equipamentos elétricos que atingiram o seu fim de vida útil devem ser recolhidas separadamente e entregues numa instalação de reciclagem ambientalmente compatível.

DECLARAÇÃO DE CONFORMIDADE CE

Apenas para países europeus

A declaração de conformidade da CE está incluída no Anexo A deste manual de instruções.

Avisos gerais de segurança para ferramentas elétricas

⚠ AVISO! Leia todos os avisos de segurança e todas as instruções. O não cumprimento dos avisos e instruções pode resultar na ocorrência de choques elétricos, incêndios e/ou ferimentos graves.

Guarde todos os avisos e instruções para referência futura.

O termo “ferramenta elétrica” nos avisos refere-se à ferramenta de ligação à rede elétrica (com fio) ou à ferramenta de bateria (sem fio).

Segurança na área de trabalho

1. **Mantenha a área de trabalho limpa e bem iluminada.** As áreas desorganizadas ou escuras convidam os acidentes.
2. **Não utilize ferramentas elétricas em atmosferas sob risco de explosão; como na presença de pó, líquidos ou gases inflamáveis.** As ferramentas elétricas produzem faíscas que podem incendiar pó ou vapores inflamáveis.
3. **Quando utilizar uma ferramenta elétrica não deixe aproximarem-se crianças ou pessoas adultas.** As distrações podem fazê-lo perder o controlo.

Segurança elétrica

4. **As fichas dos cabos de alimentação das ferramentas elétricas devem ser adequadas às tomadas. Nunca modifique a ficha de um cabo de alimentação. Não utilize adaptadores de fichas para ferramentas elétricas com terra (ligação à terra).** Fichas não modificadas e tomadas adequadas reduzem o risco de choque elétrico.
5. **Evite o contacto com superfícies com terra ou ligação à terra, como tubagens, radiadores, fogões de cozinha e frigoríficos.** Se o seu corpo estiver ligado à terra pode apanhar um choque elétrico.
6. **Não exponha as ferramentas elétricas a chuva ou humidade.** Se penetrar água na ferramenta aumenta o risco de apanhar um choque elétrico.
7. **Não force o cabo. Nunca desligue nem mova a ferramenta puxando pelo cabo. Afaste o cabo de calor, óleo, extremidades afiadas ou peças em movimento.** Cabos danificados ou emaranhados aumentam o risco de choque elétrico.
8. **Se utilizar a ferramenta elétrica no exterior, use uma extensão de cabo para exteriores.** A utilização de uma extensão de cabo próprio para exteriores reduz o risco de choque elétrico.
9. **Se não for possível evitar a utilização da ferramenta elétrica num local com humidade, utilize um dispositivo de corrente residual (RCD) protegido.** A utilização de um RCD reduz o risco de choques elétricos.
10. **Recomenda-se sempre a utilização de uma fonte de alimentação através de um RCD com uma corrente residual nominal de 30 mA ou menos.**

Segurança pessoal

11. **Quando utilizar uma ferramenta elétrica esteja atento, veja o que está a fazer e tenha bom senso. Não utilize uma ferramenta elétrica se estiver cansado ou sob a influência de drogas, medicamentos ou álcool.** Se tiver um momento de desatenção enquanto utiliza uma ferramenta elétrica pode ferir-se com gravidade.

12. **Utilize equipamento de proteção pessoal. Utilize sempre proteção para os olhos.** A utilização de equipamento de proteção, tais como máscaras contra o pó, sapatos anti-derrapantes, capacete ou proteções para os ouvidos em situações adequadas reduz o perigo de ferimentos.
13. **Evite o funcionamento imprevisto. Certifique-se de que o interruptor se encontra na posição de desligado antes de ligar a ferramenta à fonte de alimentação e/ou à bateria, assim como antes de pegar ou transportar a mesma.** O transporte de ferramentas elétricas com o dedo no interruptor ou a ligação à corrente de ferramentas com o interruptor na posição de ligado pode resultar em acidentes.
14. **Antes de ligar a ferramenta elétrica retire todas as ferramentas de ajuste utilizadas.** Se deixar uma ferramenta de ajuste numa peça rotativa da ferramenta elétrica pode ferir-se.
15. **Não se debruce demasiado. Mantenha-se numa posição firme e equilibrado.** Isso permite-lhe controlar melhor a ferramenta elétrica em situações imprevistas.
16. **Use vestuário adequado. Não use vestuário ou adornos soltos. Não aproxime o cabelo, o vestuário ou as luvas de peças em movimento.** Vestuário e adornos soltos ou cabelo comprido podem ficar presos nas peças.
17. **Se lhe forem fornecidos dispositivos para montagem em acessórios de extração e recolha de pó, ligue-os e use-os corretamente.** A utilização de dispositivos de recolha de pó pode reduzir os perigos relacionados com pó.

Utilização da ferramenta elétrica e cuidados a ter

18. **Não force a ferramenta. Utilize a ferramenta elétrica adequada ao trabalho que vai efetuar.** A ferramenta correta faz o trabalho melhor e com maior segurança, à velocidade adequada.
19. **Não utilize a ferramenta elétrica se o interruptor não estiver em condições de ligar e desligar.** Todas as ferramentas que não possam ser ligadas e desligadas através do interruptor são perigosas e devem ser reparadas.
20. **Antes de ajustar ou mudar os acessórios, ou guardar as ferramentas elétricas, desligue a ficha da fonte de alimentação e/ou a respetiva pilha.** Estas medidas de segurança reduzem o risco da ferramenta elétrica começar a funcionar imprevistivelmente.
21. **Guarde as ferramentas elétricas longe do alcance das crianças e não deixe que sejam utilizadas por pessoas sem preparação.** A utilização de ferramentas elétricas por pessoas sem preparação é perigosa.
22. **Efetue a manutenção das ferramentas elétricas. Verifique o alinhamento e as uniões das peças móveis; se existirem peças partidas ou situações que possam afetar o funcionamento das ferramentas elétricas. Se a ferramenta estiver danificada mande repará-la antes de a utilizar.** Muitos acidentes são provocados por ferramentas em mau estado.
23. **Mantenha as ferramentas de corte afiadas e limpas.** Uma manutenção correta das ferramentas com lâminas de corte afiadas diminui a possibilidade de deformação e são mais fáceis de controlar.

24. **Utilize a ferramenta elétrica, acessórios, brocas etc. de acordo com as instruções gerais, tendo em consideração as condições de trabalho e o trabalho que vai executar.** A utilização da ferramenta elétrica para operações diferentes daquelas a que se destina pode provocar situações de perigo.

Reparação

25. **Para reparação, contacte apenas um técnico qualificado e, no caso de substituição, utilize sempre peças de originais.** Só assim poderá manter o mesmo nível de segurança.
26. **Siga as instruções de lubrificação e mudança de acessórios.**
27. **Mantenhas as pegas secas; sem óleos nem gorduras.**

IMPORTANTES INSTRUÇÕES DE SEGURANÇA

⚠ AVISO! Leia todos os avisos de segurança e todas as instruções. O não cumprimento de todos os avisos e instruções pode resultar em choque elétrico, incêndio e/ou ferimentos graves.

Guarde todos os avisos e instruções para futuras referências.

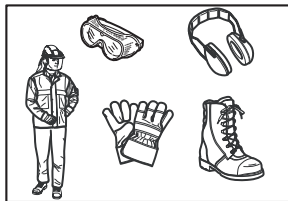
Utilização pretendida

1. O aparador de relva/cortador de escova/aparador de cordel serve apenas para cortar relva, ervas daninhas, arbustos e vegetação rasteira. Não deve ser utilizado para qualquer outro fim, como aparar ou cortar sebes, uma vez que isto pode provocar ferimentos.

Instruções gerais

1. Nunca permita que as pessoas que não estão familiarizadas com estas instruções, as pessoas com capacidades físicas, sensoriais ou mentais reduzidas (incluindo crianças) ou as pessoas sem experiência e conhecimentos utilizem a ferramenta. As crianças devem ser supervisionadas para garantir que não brincam com a ferramenta.
2. Antes de pôr a ferramenta a funcionar, leia este manual de instruções para se familiarizar com o manuseamento da ferramenta.
3. Não empreste a ferramenta a uma pessoa com pouca experiência ou conhecimentos no que se refere ao manuseamento de cortadores de escova e aparadores de cordel.
4. Quando emprestar a ferramenta, junte sempre este manual de instruções.
5. Utilize a ferramenta com o máximo de cuidado e atenção.
6. Nunca utilize a ferramenta após o consumo de álcool ou drogas ou se se sentir cansado ou doente.
7. Nunca tente modificar a ferramenta.
8. Tenha cuidado para não se ferir devido a qualquer dispositivo instalado para acertar o comprimento da linha do filamento. Depois de aumentar o comprimento da linha de corte, coloque sempre a ferramenta na posição normal de funcionamento antes de a ligar.
9. Siga os regulamentos no que se refere ao manuseamento de cortadores de escova e aparadores de cordel no seu país.

Equipamento de proteção pessoal



1. Utilize um capacete de segurança, óculos de proteção e luvas de proteção para se proteger contra o arremesso de detritos ou a queda de objetos.
2. Utilize protetores auditivos, como tampões auriculares para evitar a perda de audição.
3. Utilize vestuário e calçado adequados para um funcionamento seguro, como um avental de trabalho e sapatos robustos anti-derrapantes. Não use vestuário largo nem joalheria. O vestuário largo, as jóias ou o cabelo comprido podem ser apanhados nas peças móveis.
4. Quando tocar na lâmina de corte, use luvas de proteção. As lâminas de corte podem cortar gravemente as mãos desprotegidas.

Segurança na área de trabalho

1. Utilize a ferramenta apenas com condições de boa visibilidade e durante o dia. Não utilize a ferramenta à noite ou com nevoeiro.
2. Não utilize a ferramenta em atmosferas explosivas, como na presença de líquidos inflamáveis, gases ou poeiras. A ferramenta cria faíscas que podem inflamar as poeiras ou os fumos.
3. Durante o funcionamento, nunca fique sobre uma superfície instável ou escorregadia nem numa inclinação pronunciada. Durante o Inverno cuidado com o gelo e com a neve e certifique-se sempre que os pés estão bem assentes.
4. Durante o funcionamento, mantenha as pessoas e os animais a, pelo menos, 15 m de distância da ferramenta. Pare a ferramenta assim que alguém se aproximar.
5. Antes do funcionamento, examine a área de trabalho para ver se há pedras ou outros objetos sólidos. Estes objetos podem ser arremessados ou provocar um recuo perigoso e resultar em ferimentos graves e/ou danos na propriedade.
6. **⚠ AVISO:** A utilização deste produto pode criar poeiras que contêm agentes químicos que podem provocar doenças respiratórias ou outras. Alguns exemplos destes agentes químicos são os compostos existentes nos pesticidas, inseticidas, fertilizantes e herbicidas. Os riscos de exposição aos mesmos varia de acordo com a frequência com que faz este tipo de trabalho. Para reduzir a sua exposição a estes agentes químicos: trabalhe numa zona bem ventilada e trabalhe com equipamentos de segurança aprovados, como as máscaras para poeiras especialmente concebidas para filtrar partículas microscópicas.

Segurança elétrica

1. **As fichas da ferramenta elétrica têm de corresponder à tomada. Nunca modifique a ficha de nenhuma forma. Não utilize fichas adaptadoras de tipo nenhum com as ferramentas elétricas com ligação à terra (massa).** As fichas não modificadas e as tomadas correspondentes reduzem o risco de choque elétrico.
2. **Evite o contacto do corpo com as superfícies ligadas à terra ou à massa como tubos, radiadores, frigoríficos e outros electrodomésticos.** Existe um risco alargado de choque elétrico se o seu corpo estiver ligado à terra ou à massa.
3. Não exponha a ferramenta à chuva ou a condições de humidade. A entrada de água na ferramenta aumenta o risco de choque eléctrico.
4. **Tenha todo o cuidado com o cabo. Nunca utilize o cabo para transportar, puxar ou desligar a ferramenta elétrica. Mantenha o cabo afastado do calor, do óleo, de extremidades aguçadas ou de peças em movimento.** Os cabos danificados ou embaraçados aumentam o risco de choque elétrico.
5. Não utilize a ferramenta se o interruptor não a ligar e desligar. Qualquer ferramenta que não possa ser controlada por meio de um interruptor é perigosa e tem de ser reparada.
6. **Quando utilizar a ferramenta elétrica no exterior utilize um cabo de extensão adequado para exteriores.** A utilização de um cabo adequado para exteriores reduz o risco de choque elétrico.
7. **Se não for possível evitar utilizar uma ferramenta elétrica num ambiente húmido, utilize uma alimentação protegida com um dispositivo de corrente residual (RCD).** A utilização de um RCD reduz o risco de choque eléctrico.
8. **Recomendamos sempre a utilização da alimentação de corrente através do RCD com uma corrente residual classificada em 30 mA ou menos.**
9. Impeça o arranque não intencional. Garanta que o interruptor está na posição de desligado antes de ligar a alimentação elétrica, pegar na ferramenta ou transportá-la. Carregar as ferramentas elétricas com o dedo no interruptor ou carregar as ferramentas ligadas à corrente convida aos acidentes.
10. Antes de utilizar, verifique o cabo de alimentação e de extensão para ver se apresenta sinais de danos ou envelhecimento.
11. Se o cabo ficar danificado durante a utilização, desligue imediatamente o cabo da alimentação. **Não toque no cabo antes de desligar a alimentação.**
12. Não utilize a ferramenta se os cabos estiverem danificados ou gastos.
13. Mantenha o cabo de extensão afastado dos elementos cortantes.

Colocar em funcionamento

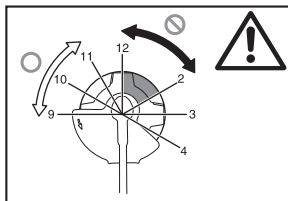
1. Antes de montar ou ajustar a ferramenta, desligue a ficha da tomada elétrica.
2. Antes de manusear a lâmina de corte, calce umas luvas de proteção.

3. Antes de ligar a ferramenta à corrente elétrica, inspecione-a para ver se apresenta danos, parafusos/porcas soltos ou uma montagem incorreta. Lâmina de corte romba afiada. Se a lâmina de corte estiver dobrada ou danificada, substitua-a. Verifique todas as patilhas e interruptores para uma ação fácil. Limpe e seque as pegas.
4. Nunca tente ligar a ferramenta se estiver danificada ou se não estiver completamente montada. Caso contrário, podem resultar ferimentos graves.
5. Retire todas as chaves de ajuste ou de parafusos antes de ligar a ferramenta. Uma chave deixada presa numa peça rotativa da ferramenta pode resultar em ferimentos pessoais.
6. Ajuste o arnês para o ombro e a pega manual de forma a adequar-se ao tamanho do corpo do operador.
7. Quando ligar a ferramenta, mantenha a união de corte afastada do seu corpo e de outros objetos, incluindo o solo. A união de corte pode rodar quando a ferramenta arranca e pode provocar ferimentos ou danos na ferramenta e/ou na propriedade.

Funcionamento

1. Em caso de emergência, desligue imediatamente a ferramenta.
2. Se sentir alguma condição fora do normal (por exemplo, ruído, vibração) durante o funcionamento, desligue a ferramenta. Não utilize a ferramenta até a causa ser reconhecida e solucionada.
3. Aviso. A união de corte continua a rodar durante um período curto depois de desligar a ferramenta. Não se apresse a tocar na união de corte.
4. Durante o funcionamento, utilize o arnês para o ombro. Mantenha a ferramenta firmemente à sua direita.
5. Não se estique demasiado durante a utilização da ferramenta. Mantenha sempre uma posição segura e equilibrada. Procure obstáculos ocultos, como tocos de árvore, raízes e valas para evitar tropeçar.
6. Nunca trabalhe em cima de uma escada ou árvore para evitar a perda de controlo.
7. Antes de utilizar a ferramenta e após qualquer impacto ou queda mais bruscos, verifique o estado da mesma antes de continuar a trabalhar. Verifique os dispositivos de comando e segurança quando a falhas de funcionamento. Se existirem danos ou se surgirem dúvidas, peça uma inspeção e reparação no nosso centro de serviço autorizado.
8. Não toque na caixa das engrenagens. A caixa das engrenagens fica quente durante o funcionamento.
9. Tire alguns momentos para descansar para evitar a perda de controlo provocada pela fadiga. Recomendamos que descanse entre 10 a 20 minutos após cada hora de trabalho.
10. Quando sair de ao pé da ferramenta, ainda que seja por um curto período de tempo, desligue sempre a ficha da tomada elétrica. A ferramenta sem supervisão com a ficha ligada pode ser utilizada por pessoal não autorizado e provocar um acidente grave.
11. Se a relva ou pequenos ramos ficarem presos entre a união de corte e o resguardo, desligue sempre a ferramenta e desligue a ficha da tomada elétrica antes de os retirar. Caso contrário, a união de corte pode rodar não intencionalmente e provocar ferimentos graves.

12. Se a união de corte bater em pedras ou outros objetos rijos, desligue imediatamente a ferramenta. Depois, desligue a ficha da tomada elétrica e inspecione a união de corte.
13. Verifique frequentemente a união de corte durante o funcionamento quanto a rachas ou danos. Antes da inspeção, desligue a ficha da tomada elétrica e aguarde até a união de corte parar completamente. Substitua imediatamente a união de corte danificada, mesmo que tenha apenas rachas superficiais.
14. Nunca corte acima da altura da cintura.
15. Antes de iniciar as operações de corte, aguarde até a união de corte atingir uma velocidade constante depois de ligar a ferramenta.
16. Quando utilizar lâminas metálicas balance a ferramenta uniformemente em meio círculo, da direita para a esquerda, como se estivesse a utilizar uma foice.
17. Segure a ferramenta apenas nas superfícies isoladas para esse fim, porque a lâmina de corte pode entrar em contacto com cabos ocultos. Se as lâminas de corte entrarem em contacto com fios “com corrente” podem fazer com que haja passagem de corrente para as partes metálicas expostas da ferramenta elétrica e provocar um choque elétrico no operador.
18. Garanta sempre que as aberturas de ventilação estão sempre livres de resíduos.

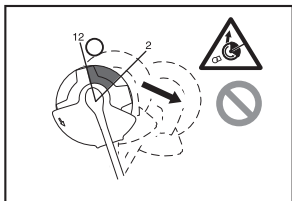


União de corte

1. Utilize uma união de corte adequada ao trabalho que tem em mãos.
 - As cabeças de corte de nylon (cabeças do aparador de cordel) são adequadas para aparar relvados.
 - As lâminas metálicas são adequadas para cortar ervas daninhas, erva alta, arbustos, ramagens, vegetação rasteira, matagal e outros do género.
 - Nunca utilize outras lâminas, incluindo correias metálicas articuladas multi-peças e lâminas para malho. Poderá resultar em ferimentos graves.
2. Utilize sempre o resguardo da união de corte adequado para a união de corte utilizada.
3. Nunca instale elementos de corte metálicos com modelos de corte de nylon.
4. Quando utilizar lâminas metálicas, evite o “recuo” e prepare-se sempre para um recuo accidental. Ver a secção “Recuo”.

Recuo (impulso da lâmina)

1. O recuo (impulso da lâmina) é uma reação súbita quando a lâmina de corte está presa ou prestes a partir. Assim que ocorrer, a ferramenta arremessada para os lados ou em direção ao operador com muita força e pode provocar ferimentos graves.
2. O recuo ocorre especialmente quando se aplica o segmento da lâmina entre as 12 e as 2 horas em sólidos, arbustos e árvores com mais de 3 cm de diâmetro ou superior.



3. Para evitar o recuo:
 - Aplique o segmento entre as 8 e as 11 horas.
 - Nunca aplique o segmento entre as 12 e as 2 horas.
 - Nunca aplique o segmento entre as 11 e as 12 horas e entre as 2 e as 5 horas, a menos que o operador tenha uma boa experiência e formação e o faça por sua conta e risco.
 - Nunca utilize lâminas de corte perto de objetos sólidos, como cercas, paredes, troncos de árvore e pedras.
 - Nunca utilize as lâminas de corte na vertical para operações como cortar ou aparar sebes.

Vibração

1. As pessoas que sofrem de má circulação e que estão expostas a vibração excessiva podem sofrer lesões nos vasos sanguíneos ou no sistema nervoso central. A vibração pode provocar os seguintes sintomas nos dedos, mãos ou pulsos: “Adormecimento” (entorpecimento), formigamento, dor, sensação de facadas, alteração da cor da pele ou da própria pele. Se ocorrer algum destes sintomas, consulte um médico!
2. Para reduzir o risco da “doença dos dedos brancos”, mantenha as suas mãos quentes durante o funcionamento e a manutenção da ferramenta e acessórios.

Transporte

1. Antes de transportar a ferramenta, desligue-a e desligue a ficha da tomada de alimentação elétrica. Fixe a cobertura na lâmina de corte.
2. Quando transportar a ferramenta, pegue-lhe numa posição horizontal segurando pelo eixo.
3. Quando transportar a ferramenta num veículo, fixe-a de forma adequada para evitar virar-se. Caso contrário, podem ocorrer danos na ferramenta ou outros objetos que transporte juntamente com a mesma.

Manutenção

1. Realize a manutenção à ferramenta num centro de assistência técnica autorizado, utilizando sempre peças de substituição genuínas. Uma reparação incorreta e uma manutenção não adequada pode reduzir a vida da ferramenta e aumentar o risco de acidentes.

2. Antes de realizar qualquer manutenção, trabalhos de reparação ou de limpeza da ferramenta, desligue sempre a ferramenta e desligue a ficha de alimentação elétrica.
3. Use sempre luvas de proteção para manusear a lâmina de corte.
4. Limpe sempre a poeira e sujidade da ferramenta. Nunca utilize gasolina, benzina, diluente, álcool ou produtos semelhantes para esse fim. Podem resultar descoloração, deformação ou rachas nos componentes plásticos.
5. Após cada utilização, aperte todos os parafusos e porcas.
6. Não tente realizar qualquer trabalho de manutenção ou reparação que não esteja descrito no manual de instruções. Solicite esse tipo de trabalhos num centro de assistência técnica autorizado.
7. Utilize sempre e apenas as nossas peças de substituição e acessórios genuínos. A utilização de peças ou acessórios fornecidos por terceiros pode resultar em quebra da ferramenta, danos na propriedade e/ou ferimentos graves.
8. Solicite num centro de assistência técnica autorizado uma inspeção e manutenção à ferramenta em intervalos regulares.

Armazenamento

1. Antes de armazenar a ferramenta, limpe-a minuciosamente e faça uma manutenção completa. Desligue a tomada de alimentação de energia. Fixe a cobertura na lâmina de corte.
2. Guarde a ferramenta num local seco e alto ou trancado fora do alcance das crianças.
3. Não deixe a ferramenta encostar a nada, por exemplo, uma parede. Caso contrário, pode cair de repente e provocar um ferimento.

Primeiros socorros

1. Mantenha sempre por perto um kit de primeiros socorros. Substitua imediatamente qualquer item que tenha sido retirado do kit de primeiros socorros.
2. Quando pedir ajuda, forneça as seguintes informações:
 - Local do acidente
 - O que aconteceu
 - Quantidade de pessoas feridas
 - Natureza do ferimento
 - O seu nome

GUARDE ESTAS INSTRUÇÕES.

AVISO:

NÃO permita que conforto ou familiaridade com o produto (adquirido com o uso repetido) substitua a aderência estrita às regras de segurança da ferramenta. **MÁ INTERPRETAÇÃO** ou não seguimento das regras de segurança estabelecidas neste manual de instruções pode causar danos pessoais sérios.

DESCRIÇÃO DAS PEÇAS (Fig. 1)

DESCRIÇÃO FUNCIONAL

AVISO:

- **Garanta sempre que a ferramenta está desligada e a ficha desligada da tomada antes de regular ou verificar as funções da ferramenta.** Caso não desligue ou não retire a ficha da tomada elétrica, pode sofrer ferimentos pessoais graves devido a arranque acidental.

Funcionamento do interruptor de alimentação (Fig. 2)

AVISO:

- **Antes de ligar a ficha à tomada, verifique sempre se o disparador tipo interruptor funciona adequadamente e volta à posição “OFF” (desligado) quando libertado. Não puxe o disparador tipo interruptor com força sem deslizar a patilha de desbloqueio. Pode partir o interruptor.** Utilizar a ferramenta com um interruptor que não funciona corretamente pode levar à perda de controlo e resultar em ferimentos pessoais graves.

Para evitar que o disparador tipo interruptor seja puxado acidentalmente, existe uma patilha de desbloqueio.

Para pôr a ferramenta a trabalhar, deslize a patilha de desbloqueio para a frente e puxe o disparador tipo interruptor. Solte o disparador tipo interruptor para parar.

Cabeça de corte de nylon (Fig. 3)

OBSERVAÇÃO:

- Não tente alimentar por impacto da cabeça enquanto a ferramenta está a funcionar em RPM elevadas. A alimentação por impacto, enquanto as RPM são elevadas, pode provocar danos na cabeça de corte de nylon.
- A alimentação por impacto não funciona adequadamente se a cabeça não estiver a rodar.

NOTA:

- O acessório padrão varia, dependendo do modelo e do país.

A cabeça de corte de nylon é uma cabeça de aparar relva dupla fornecida com um mecanismo de impacto e alimentação.

Para alimentar o fio de nylon, bata com a cabeça de corte contra o solo enquanto a cabeça de corte está em rotação.

NOTA:

- Se o fio de nylon não sair depois de bater com a cabeça da ferramenta no solo, rebobine/substitua o fio de nylon seguindo os procedimentos descritos no capítulo “Manutenção”.

Suporte do cabo (Fig. 4)

Faça uma laçada pequena com o cabo de alimentação e pendure-o no suporte do cabo.

MONTAGEM

⚠ AVISO:

- **Garanta sempre que a ferramenta está desligada e a ficha desligada da tomada antes de efetuar qualquer trabalho na ferramenta.** Caso não desligue ou não retire a ficha da tomada elétrica, pode sofrer ferimentos pessoais graves devido a arranque acidental.
- **Nunca ligue a ferramenta a menos que esteja completamente montada.** A operação da ferramenta parcialmente montada pode provocar o arranque acidental e resultar em ferimentos pessoais graves.

Instalar a pega (Fig. 5)

⚠ AVISO:

- Não retire nem encolha o espaçador ou a almofada amortecedora. O espaçador mantém uma determinada distância entre as duas mãos. Se colocar o conjunto da pega/limitador junto da outra pega, além da distância do espaçador, pode provocar a perda de controlo e ferimentos pessoais graves.

Instale a pega e o limitador sobre a peça de borracha no tubo do eixo. Ajuste a posição da pega e, em seguida, aperte-as com quatro parafusos.

Combinação aprovada da ferramenta de corte e do protetor

⚠ AVISO:

- **Utilize sempre a ferramenta com as combinações aprovadas de equipamentos de segurança.** Caso contrário, o contacto com a ferramenta de corte pode provocar ferimentos graves.
- **Nunca utilize a ferramenta sem ter o protetor ilustrado instalado no lugar.** O não cumprimento deste aviso pode provocar ferimentos pessoais graves.

NOTA:

- O acessório padrão varia, dependendo do modelo e do país.

Para a lâmina de corte (Fig. 6)

Para a cabeça de corte de nylon (Fig. 7)

Instalar o protetor da lâmina de corte (Fig. 8)

1. Alinhe os orifícios no protetor interior e os orifícios da caixa de engrenagens.
2. Aperte-os com os três parafusos.

Instalar o protetor da cabeça de nylon

⚠ PRECAUÇÃO:

- Tome cuidado para não se magoar no cortador quando cortar o fio de nylon.
- Não se esqueça de remover o protetor da lâmina antes de utilizar.

1. Alinhe os quatro parafusos no protetor exterior ao longo dos orifícios no protetor interior. (Fig. 9)
2. Aperte-os com os quatro parafusos.
3. Alinhe os orifícios no protetor interior e os orifícios da caixa de engrenagens.
4. Aperte-os com os parafusos. (Fig. 10)

Instalar a lâmina de corte

⚠ AVISO:

- **O diâmetro externo da lâmina de corte tem de ser 230 mm.** Nunca utilize nenhuma lâmina com mais de 230 mm de diâmetro externo.

⚠ PRECAUÇÃO:

- A lâmina de corte tem de estar bem polida e não pode apresentar rachas ou quebras. Deve polir ou substituir a lâmina de corte a cada três horas de funcionamento.
- Use sempre luvas para manusear a lâmina de corte.
- Anexe sempre a cobertura da lâmina quando a ferramenta não está a ser utilizada ou está a ser transportada.
- A porca de aperto da lâmina de corte acaba por se desgastar com o tempo. Se surgir qualquer desgaste ou deformação, substitua a porca. Solicite uma nova num centro de assistência técnica autorizado local.

OBSERVAÇÃO:

- Certifique-se de que utiliza uma lâmina de corte genuína.

Rode a ferramenta de cima para baixo para poder substituir facilmente a lâmina de corte. (Fig. 11)

1. Instale a anilha de recepção no eixo.
2. Rode a anilha de recepção até a ranhura entrar na ranhura da caixa de engrenagens.
3. Insira a barra cilíndrica através de ambas as ranhuras de modo a que a anilha de recepção não consiga rodar.
4. Coloque a lâmina sobre a anilha de recepção.
5. Coloque a anilha abraçadeira sobre a lâmina.
6. Coloque o copo sobre a lâmina.
7. Aperte-os com a porca rodando-a da direita para a esquerda enquanto segura pela barra cilíndrica.

Para remover a lâmina, realize os passos acima pela ordem inversa.

Instalar a cabeça de corte de nylon (Fig. 12)

OBSERVAÇÃO:

- Certifique-se de que utiliza uma cabeça de corte de nylon genuína.

Rode a ferramenta de cima para baixo para poder substituir facilmente a cabeça de corte de nylon.

NOTA:

- Retire a cobertura no cortador do fio antes de utilizar.
1. Instale a anilha de recepção no eixo.
 2. Rode a anilha de recepção até a ranhura entrar na ranhura da caixa de engrenagens.
 3. Insira a barra cilíndrica através de ambas as ranhuras de modo a que a anilha de recepção não consiga rodar.
 4. Instale a cabeça de corte de nylon rodando-a no sentido contrário ao dos ponteiros do relógio.
 5. Retire a barra cilíndrica depois de instalar a cabeça de corte de nylon.

Para remover a cabeça de corte de nylon, realize os passos acima pela ordem inversa.

FUNCIONAMENTO

Manuseamento correto da ferramenta (Fig. 13)

Postura correta

AVISO:

- **Posicione sempre a ferramenta no lado direito, segurando-a com a mão direita, de modo a que o limitador fique sempre à frente do seu corpo.** O posicionamento correto da ferramenta permite um controlo máximo e reduz o risco de ferimentos pessoais graves provocados pelo recuo.

PRECAUÇÃO:

- **Se durante o funcionamento a ferramenta de corte bater acidentalmente contra uma pedra ou outro objeto duro, pare a ferramenta e inspecione-a para ver se sofreu algum dano. Se a ferramenta de corte estiver danificada, substitua-a imediatamente.** A utilização de uma ferramenta de corte danificada pode resultar em ferimentos pessoais graves.

Coloque o arnês para o ombro sobre o ombro esquerdo passando a sua cabeça e o seu braço direito pelo mesmo e mantenha a ferramenta no lado direito mantendo sempre o limitador na parte da frente do seu corpo.

Fixação do arnês para o ombro (Fig. 14)

Ajuste o comprimento do arnês de forma que a ferramenta de corte seja mantida paralela ao solo.

Ligue o suspensor e o arnês.

AVISO:

- **Tenha todo o cuidado para manter o controlo da ferramenta em todos os momentos. Não permita que a ferramenta seja desviada na sua direção ou na direção de outra pessoa que se encontre nas proximidades da área de trabalho.** Se o operador não mantiver o controlo da ferramenta pode provocar ferimentos graves em si próprio ou noutras pessoas nas proximidades.

Ajuste da posição do suspensor e do arnês para o ombro (Fig. 15)

Ajuste a posição do suspensor como ilustrado. (Fig. 16)

Para alterar a posição do suspensor, solte o parafuso no suspensor. Depois, mova o suspensor.

Depois de ajustar a posição do suspensor, aperte o parafuso com a chave mantendo-o seguro.

MANUTENÇÃO

AVISO:

- **Garanta sempre que a ferramenta está desligada e a ficha desligada da tomada antes de realizar uma inspeção ou manutenção na ferramenta.** Caso não desligue ou não retire a ficha da tomada elétrica, pode sofrer ferimentos pessoais graves devido a arranque accidental.

OBSERVAÇÃO:

- Nunca utilize gasolina, benzina, diluente, álcool ou produtos semelhantes. Pode ocorrer descoloração, deformação ou rachaduras.

Substituição do fio de nylon (Fig. 17)

AVISO:

- **Garanta que a cabeça de corte de nylon está bem presa na ferramenta antes de a utilizar.** Se não fixar adequadamente e em segurança a cabeça de corte de nylon, pode fazer com que ela voe resultando em ferimentos pessoais graves.
 1. Retire a cabeça de corte de nylon.
 2. Retire a tampa premindo as duas alavancas ranhuradas na seção em frente à parte lateral do copo.
 3. Retire o carretel. E retire o fio de nylon antigo do carretel.
 4. Corte um fio de nylon com 3 – 6 m. Dobre o fio cortado em duas metades deixando uma das pontas mais longas 80 – 100 mm mais do que a outra. (Fig. 18)
 5. Enganche o meio do novo fio de nylon na ranhura localizada no centro do carretel entre os dois canais existentes para o fio de nylon. (Fig. 19)
 6. Enrole ambas as extremidades firmemente ao longo dos canais na direção indicada pela seta desenhada no carretel. (Fig. 20)
 7. Insira os fios de nylon nos olhais para saírem do copo.
 8. Alinhe a peça saliente na parte de baixo da tampa com as ranhuras nos olhais. Depois, empurre firmemente a tampa em direção ao copo para fixá-la. Certifique-se de que os trincos ficam bem encaixados na tampa.

Para manter a SEGURANÇA e FIABILIDADE, as reparações e outras ações de manutenção ou ajustes devem ser executadas pelos Centros de assistência autorizados da Makita, utilizando sempre peças de substituição Makita.

INTERVALO DE MANUTENÇÃO

Peças:	Intervalo:	O que fazer:
Cabo de alimentação	Sempre antes de utilizar	Inspeccione visualmente se está muito desgastado ou danificado. Se estiver danificado, peça para ser reparado num centro de assistência local.
Parafuso da pega auxiliar	Sempre antes de utilizar	Verifique se o parafuso está solto. Aperte o parafuso se estiver solto. Substitua o parafuso se estiver danificado.
Resguardo da ferramenta de corte (protetor)	Sempre antes de utilizar	Verifique se o parafuso não está solto, se o protetor não está danificado. Aperte o parafuso se estiver solto. Substitua o protetor se estiver danificado.
Lâmina de corte	A cada 10 horas	Lubrifique com óleo anticorrosivo após cada utilização. Verifique se não está danificado. Substitua se estiver danificado.
Cabeça de corte de nylon	A cada 10 horas	Inspeccione visualmente se está muito desgastado ou danificado. Substitua se estiver danificado.
Veio da engrenagem	A cada 10 horas	Lubrifique com óleo anticorrosivo.

SOLUÇÃO DE PROBLEMAS

Antes de pedir reparações, realize primeiro uma inspeção. Se encontrar um problema que não esteja explicado no manual, não tente desmontar a ferramenta. Em vez disso, solicite a reparação num centro de assistência técnica autorizado Makita, usando sempre peças de reposição originais Makita.

Estado da avaria	Causa	Ação
O motor não funciona.	A ficha de alimentação elétrica não está ligada.	Ligue a ficha na tomada.
	Cabo de alimentação partido.	Solicite a reparação num centro de assistência técnica autorizado local.
	O sistema de acionamento não funciona corretamente.	
O motor para de funcionar depois de pouco tempo de utilização.	Sobreaquecimento.	Pare a utilização da ferramenta para permitir que arrefeça.
Não atinge as RPM máximas.	O sistema de acionamento não funciona corretamente.	Solicite a reparação num centro de assistência técnica autorizado local.
A ferramenta de corte não roda: desligue imediatamente a máquina!	Está um objeto estranho, por exemplo, um ramo, encravado entre o resguardo e a ferramenta de corte.	Remova o objeto estranho.
	A porca de aperto da lâmina de corte está solta.	Instale a porca adequadamente, como descrito neste manual.
	A lâmina de corte está dobrada.	Substitua a lâmina de corte.
	O sistema de acionamento não funciona corretamente.	Solicite a reparação num centro de assistência técnica autorizado local.
Vibração anormal: desligue imediatamente a máquina!	Uma das extremidades do fio de nylon partiu-se.	Bata com a cabeça de corte de nylon contra o solo enquanto roda para fazer com que o fio saia.
	A lâmina de corte está dobrada, rachada ou gasta.	Substitua a lâmina de corte.
	A porca de aperto da lâmina de corte está solta.	Instale a porca adequadamente, como descrito neste manual.
	A lâmina de corte está mal apertada.	
	O sistema de acionamento não funciona corretamente.	Solicite a reparação num centro de assistência técnica autorizado local.
A ferramenta de corte e o motor não podem parar: Desligue imediatamente a ficha de corrente elétrica!	Mau funcionamento elétrico ou eletrónico.	Desligue a ficha de corrente elétrica e solicite a reparação num centro de assistência técnica autorizado local.

ACESSÓRIOS OPCIONAIS

PRECAUÇÃO:

- Estes acessórios ou peças são recomendados para utilização com a ferramenta Makita especificada neste manual. A utilização de outros acessórios ou peças pode apresentar riscos de ferimentos nas pessoas. Utilize apenas acessórios ou peças para os fins indicados.

Se precisar de ajuda para obter mais informações relativas a estes acessórios, entre em contacto com o centro de assistência Makita local.

- Lâmina de corte
- Cabeça de corte de nylon
- Fio de nylon (linha de corte)
- Arnês para o ombro

NOTA:

- Alguns itens da lista podem estar incluídos na embalagem da ferramenta como acessórios padrão. Eles podem variar de país para país.

Forklaring af general oversigt

1	Kabelholder	10	Skæreværktøj	22	Kop
2	Strømforsyningsledning (udformningen kan være forskellig fra land til land)	11	Skuldersele	23	Møtrik
3	Baghåndtag	12	Pude	24	Nylonskærehoved
4	Låsearm	13	Mest effektive skæreområde	25	Snorskærer
5	AfbrydertrIGGER	14	Håndtag	26	Dæksel
6	Fronhåndtag	15	Gummiddel	27	Bøjle
7	Bøjle (ophængningspunkt)	16	Indvendig beskytter	28	80 – 100 mm
8	Barriere	17	Udvendig beskytter	29	Spole
9	Skæreværktøjsskærm (beskytter)	18	Modtagespændeskive		
		19	Rund stang		
		20	Blad		
		21	Spændeskive		

SPECIFIKATIONER

Model	UR2300	UR3502
Håndtagstype	Løkkehåndtag	
Total længde	1 630 mm	
Kontinuerlig mærkedata-input	1 000 W	
Ubelastet hastighed	5 700 min ⁻¹	5 700 min ⁻¹
Skæreværktøj	Skæreblad	Nylonskærehoved
Skærebredde	230 mm	350 mm
Nettovægt	4,7 kg	4,9 kg
Sikkerhedsklasse	II/II	

- På grund af vores kontinuerlige forskningsprogrammer og udvikling, kan hosstående specifikationer blive ændret uden varsel.
- Specifikationer kan være forskellige fra land til land.
- Vægt i henhold til EPTA-Procedure 01/2003

Støj	Gennemsnitligt lydtryksniveau		Gennemsnitligt lydbelastningsniveau		Anvendelig standard
	L _{PA} (dB(A))	Usikkerhed K (dB(A))	L _{WA} (dB(A))	Usikkerhed K (dB(A))	
Skæreværktøj					
Skæreblad	80,8	2,5	93,45	1,23	EN 60335-1, EN 50636-2-91, EN ISO 11806
Nylonskærehoved	85,3	2,5	93,84	1,58	

- Brug høreværn.

Vibration	Frontgreb		Baggreb		Anvendelig standard
	a _h (m/s ²)	Usikkerhed K (m/s ²)	a _h (m/s ²)	Usikkerhed K (m/s ²)	
Skæreværktøj					
Skæreblad	2,856	1,5	2,712	1,5	EN 60335-1, EN 50636-2-91, EN ISO 11806
Nylonskærehoved	2,768	1,5	2,694	1,5	

- Den erklærede vibrationsemissionsværdi er målt i overensstemmelse med standardtest metoden og kan anvendes til at sammenligne en maskine med en anden.
- Den erklærede vibrationsemissionsværdi kan også anvendes i en preliminær bestemmelse af udsættelse.

⚠ ADVARSEL:

- Vibrationsemissionen under den faktiske brug af el-værktøjet kan afvige fra den erklærede emissions værdi, afhængigt af den måde, hvorpå maskinen anvendes.
- Sørg for at identificere sikkerhedsforanstaltningerne for at beskytte operatøren. De er baseret på en estimering af udsættelse under de faktiske brugsforhold (med hensyntagen til alle dele af driftscyklen som f.eks. de gange, hvor der slukkes for maskinen og når den kører i tomgang i tilgift til triggertiden).

Symboler

Det følgende viser de symboler, der anvendes for udstyret. Vær sikker på, at De forstår deres betydning inden brugen.



- Vær specielt omhyggelig og opmærksom.



- Læs brugervejledningen.



- Fare. Pas på flyvende genstande.



- Afstanden mellem maskinen og omkringstående personer skal være mindst 15 m.



- Hold omkringstående personer borte.



- Bær hjelm, beskyttelsesbriller og høreværn.



- Bær beskytteshandsker.



- Bær solide støvler med skridsikre såler. Sikkerhedsstøvler med ståltæer anbefales.



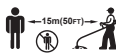
- Udsæt ikke for fugt.



- Tag strømstikket ud af forbindelse, hvis ledningen er beskadiget eller viklet sammen.



- Undgå tilbageslag.



- Hold en afstand på mindst 15 m.



- DOBBELT ISOLERING



- Gælder kun EU-lande
Bortskaf ikke elektrisk udstyr sammen med husholdningsaffald!
I henhold til det europæiske direktiv om udtjent elektrisk og elektronisk udstyr og dets behandling i overensstemmelse med national lov, skal elektrisk udstyr, som har nået slutningen af dets levetid, indsamles separat og returneres til en miljømæssigt kompatibel genbrugsfacilitet.

EF-KONFORMITETSERKLÆRING

Kun for lande i Europa

EF-konformitetserklæringen er inkluderet som Tillæg A til denne instruktionsvejledning.

Generelle sikkerhedsadvarsler for maskiner

⚠ ADVARSEL Læs alle sikkerhedsadvarsler og alle instruktioner. Hvis De ikke følger alle advarsler og instruktioner, kan det medføre elektrisk stød, brand og/eller alvorlig personskade.

Gem alle advarsler og instruktioner til senere reference.

Ordet "maskine" i advarselne henviser til en maskine, der er sluttet til en stikkontakt (med ledning) eller en batteridrevne maskine (uden ledning).

Sikkerhed i arbejdsområdet

1. **Hold arbejdsområdet rent og oplyst.** Rodede eller mørke arbejdsområder medfører ulykker.
2. **Betjen ikke maskiner i eksplosive atmosfærer, for eksempel ved tilstedeværelse af brændbare væsker, gasser eller støv.** Maskiner fremkalder gnister, der kan antænde støv eller dampe.
3. **Hold børn og tilskuere på afstand ved betjeningen af en maskine.** Distractioner kan medføre, at De mister kontrollen med maskinen.

Elektrisk sikkerhed

4. **Stikkene på maskinen skal svare til stikkontakten.** De må ikke ændre stikket på nogen måde. Brug ikke stikadapters sammen med jordforbundne maskiner. Uædrede stik og tilsvarende stikkontakter mindsker risikoen for elektrisk stød.
5. **Undgå kropskontakt med jordforbundne overflader som rør, radiatorer, overflader og køleskabe.** Hvis kroppen er jordforbundet, forøges risikoen for elektrisk stød.
6. **Udsæt ikke maskiner for regn eller våde omgivelser.** Risikoen for elektrisk stød forøges, hvis der kommer vand i maskinen.
7. **Belast ikke ledningen. Brug aldrig ledningen til at bære eller trække maskinen eller til at tage stikket ud af stikkontakten.** Udsæt ikke ledningen for varme, olie, skarpe kanter eller bevægelige dele. Beskadede eller sammenviklede ledninger øger risikoen for elektrisk stød.
8. **Brug en forlængerledning, der er beregnet til udendørs brug, når maskinen anvendes udendørs.** Brug af en ledning, der er beregnet til udendørs brug, reducerer risikoen for elektrisk stød.
9. **Hvis De er nødt til at anvende en maskine i fugtige omgivelser, skal De benytte en strømforsyning, der er beskyttet via en fejlstrømsafbryder.** Brug af en FI-afbryder mindsker risikoen for elektrisk stød.
10. **Det anbefales altid at bruge en strømforsyning via en FI-afbryder med en normeret fejlstrøm på 30 mA eller mindre.**

Personlig sikkerhed

11. **Vær opmærksom, fokusér på det, De arbejder med, og brug Deres sunde fornuft ved betjening af maskinen.** Anvend ikke maskinen, når De er træt eller påvirket af stoffer, alkohol eller medicin. Ved brug af maskiner kan et enkelt øjeblik uopmærksomhed medføre alvorlig personskade.
12. **Anvend personligt beskyttelsesudstyr. Bær altid beskyttelsesbriller.** Beskyttelsesudstyr som f.eks. støvmaske, skridsikre sko, hjelm eller høreværn, der benyttes under de tilsvarende forhold, forebygger personskade.

13. **Forebyg, at maskinen starter ved et uheld. Sørg for, at afbryderen er slået fra, før De sætter maskinen til strømforsyningen og/eller batteriet, tager maskinen op eller bærer den.** Hvis De bærer maskiner med fingeren på afbryderen, eller hvis De sætter strøm til maskiner, mens afbryderen er slået til, kan det medføre uheld.
14. **Fjern alle justeringsnøgler eller skruenøgler, før De tænder for maskinen.** En skruenøgle eller nøgle, der sidder på en roterende maskindel, kan forårsage personskade.
15. **Stræk Dem ikke for langt. Bevar fodfæstet og balancen til enhver tid.** Det giver bedre kontrol med maskinen i uventede situationer.
16. **Bær korrekt påklædning. Bær ikke løs påklædning eller smykker.** Hold hår, tøj og handsker væk fra bevægelige dele. Løst tøj, smykker eller langt hår kan sidde fast i bevægelige dele.
17. **Hvis der medfølger udstyr til filtrering og opsamling af støv, skal De sørge for, at udstyret er monteret, og at det anvendes korrekt.** Brug af støvsopsamling kan mindske støvrelaterede risici.

Brug og vedligeholdelse af maskinen

18. **Brug ikke magt på maskinen. Brug den korrekte maskine til formålet.** Den korrekte maskine gør hurtigst og bedst det arbejde, som den er beregnet til.
19. **Brug ikke maskinen, hvis der ikke kan tændes og slukkes på afbryderen.** En maskine, der ikke kan kontrolleres med afbryderen, er farlig og skal til reparation.
20. **Tag stikket ud af stikkontakten, og/eller tag batteriet ud af maskinen, før De foretager ændringer, skifter tilbehør eller gemmer maskiner af vejen.** Disse forebyggende foranstaltninger mindsker risikoen for, at maskinen starter ved et uheld.
21. **Opbevar maskiner, der ikke benyttes, utilgængeligt for børn, og lad ikke personer, som ikke er kendt med maskinen eller disse instruktioner, bruge maskinen.** Maskiner er farlige i hænderne på uøvede brugere.
22. **Vedligehold elværktøjet. Kontrollér elværktøjet for fejljustering, bevægelige dele, som binder, brud og andre forhold, som kan påvirke dets funktion. Få maskinen repareret, før den bruges, hvis den er i stykker.** Mange uheld skyldes dårlig vedligeholdelse af maskiner.
23. **Hold skæreværktøjer skarpe og rene.** Der er mindre sandsynlighed for, at skæreværktøjer binder, hvis de vedligeholdes korrekt og har skarpe skærende kanter, og de er lettere at kontrollere.
24. **Brug maskinen, tilbehøret og værktøj osv. i overensstemmelse med disse instruktioner og tag højde for arbejdsbetingelserne og det arbejde, der skal udføres.** Brug af maskinen til formål, den ikke er beregnet til, kan medføre farlige situationer.

Service

25. **Få udført service på maskinen hos en autoriseret mekaniker, og brug kun tilsvarende reservedele.** Derved vedligeholdes maskinens sikkerhed.
26. **Følg instruktionerne for smøring og udskiftning af tilbehør.**
27. **Hold håndtagene tørre, rene og fri for olie og fedtstoffer.**

VIGTIGE SIKKERHEDSINSTRUKTIONER

⚠ ADVARSEL! Læs alle sikkerhedsadvarslerne og alle instruktionerne. Forsømmelse af at iagttage advarslerne og instruktionerne kan medføre elektrisk stød, brand og/eller alvorlig tilskadekomst.

Gem alle advarsler og instruktioner til fremtidig reference.

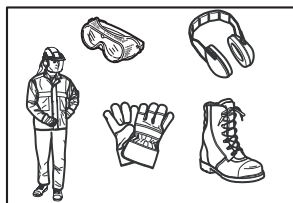
Beregnet brug

1. Græstrimmeren/buskrydderen/strengtrimmeren er kun beregnet til skæring af græs, ukrudt, buske og underskov. Den bør ikke anvendes til andre formål som f.eks. kantskæring eller klipning af hække, da dette kan medføre tilskadekomst.

Generelle instruktioner

1. Tillad aldrig at denne maskine bruges af personer, som ikke er bekendt med disse instruktioner og personer (inklusive børn) med nedsatte fysiske, sensoriske eller mentale evner eller manglende erfaring og viden. Børn bør være under opsyn for at sikre, at de ikke leger med maskinen.
2. Læs denne brugervejledning inden De starter maskinen, så De gøres bekendt med håndteringen af maskinen.
3. Lån ikke maskinen ud til en person med utilstrækkelig erfaring eller kendskab til håndtering af buskryddere og strengtrimmere.
4. Hvis De låner maskinen ud, skal denne brugervejledning altid følge med.
5. Håndtér maskinen med den største forsigtighed og opmærksomhed.
6. Brug aldrig maskinen, hvis De har indtaget alkohol eller taget medicin eller hvis De føler Dem træt eller er syg.
7. Forsøg aldrig at ændre maskinen.
8. Vær forsigtig med ikke at komme til skade på anordningen til justering af nylonsnorens længde. Efter forlængelse af en ny skæreline, skal maskinen altid returneres til den normale arbejdsposition, inden der tændes for den.
9. Følg regulationerne om håndtering af buskryddere og strengtrimmere i Deres land.

Personligt beskyttelsesudstyr



1. Bær sikkerhedshjelm, beskyttelsesbriller og beskyttende handsker for at beskytte Dem mod flyvende affald eller faldende genstande.
2. Brug høreværn som f.eks. ørepropper for at forhindre høretab.
3. Bær passende tøj og sko, så en sikker anvendelse opnås, f.eks. arbejdsoverall og solide sko med skridsikre såler. Bær ikke løst tøj eller smykker. Løst tøj, smykker eller langt hår kan vikles sig ind i de bevægende dele.

4. Bær beskyttelseshandsker, når De rører ved skærebladet. Skæreblade kan skære de bare hænder med alvorlige konsekvenser.

Sikkerhed på arbejdsområdet

1. Brug kun maskinen under forhold med god sigtbarhed og dagslys. Brug ikke maskinen i mørke eller tåge.
2. Brug ikke maskinen i eksplosive atmosfærer som f.eks. hvor væsker, gasser eller støv forefindes. Maskinen frembringer gnister, som kan antænde støv eller dampe.
3. Stå under arbejdet aldrig på en ustabil overflade eller en stejl skråning. I den kolde årstid skal man være opmærksom på is og sne og altid sørge for et godt fodfæste.
4. Hold under arbejdet omkringsstående personer og dyr mindst 15 m borte fra maskinen. Stop maskinen så snart nogen nærmer sig.
5. Inden arbejdet påbegyndes, skal man undersøge arbejdsområdet for sten og andre hårde genstande. Disse kan blive slunget ud og være årsag til tilbageslag og resultere i alvorlig tilskadekomst og/eller materiel skade.
6. **⚠ ADVARSEL:** Brug af dette produkt kan frembringe støv, der indeholder kemikalier, som kan forårsage åndedrætssygdomme eller andre sygdomme. Nogle eksempler på disse kemikalier er komponenter, som findes i pesticider, insektmidler, gødningsmidler og ukrudtsmidler. Risikoen ved disse kemikalier varierer, afhængigt af hvor ofte De udfører denne type arbejde. For at reducere udsættelsen for disse kemikalier, bør De: arbejde et ventileret sted med godkendt sikkerhedsudstyr som f.eks. støvmasker, der er specielt fremstillet til at holde mikroskopiske partikler ude.

Elektrisk sikkerhed

1. **Et el-værktøjs stik skal passe til strømudtaget. Et stik må aldrig modificeres på nogen måde. Brug ikke adapterstik med jordede (jordforbundne) el-værktøj.** Ikke-modificerede stik og modsvarende udtag vil reducere risikoen for elektriske stød.
2. **Undgå kropskontakt med jordede eller jordforbundne overflader som f.eks. rør, radiatorer, komfurer og køleskabe.** Der er øget risiko for elektriske stød, hvis din krop er jordforbundet eller jordet.
3. Udsæt ikke maskinen for regn eller våde forhold. Vand, der trænger ind i maskinen, vil øge risikoen for elektrisk stød.
4. **Misbrug ikke ledningen. Brug aldrig ledningen til at bære, trække i eller tage el-værktøjet ud af forbindelse. Hold ledningen borte fra varme, olie, skarpe kanter eller bevægende dele.** Beskadigede eller sammenviklede ledninger øger risikoen for elektriske stød.
5. Anvend ikke maskinen, hvis der ikke kan tændes og slukkes for den med afbryderen. En maskine, som ikke kan kontrolleres med afbryderen, er farlig og skal repareres.
6. **Når en maskine anvendes uden døre, skal man bruge en forlængerledning, der er egnet til udendørs brug.** Brug af en ledning, der er egnet til udendørs brug, vil reducere risikoen for elektriske stød.

7. Hvis anvendelse af et el-værktøj på et fugtigt sted er uundgåeligt, skal De anvende en strømforsyning, der er beskyttet af en reststrømsanordning (RCD). Anvendelse af RCD reducerer risikoen for elektriske stød.
8. Anvendelse af strømforsyning via en RCD med en restmærkestrøm på 30 mA eller mindre anbefales altid.
9. Forhindr utilsigtet start. Sørg for, at afbryderen er i fra-stilling, inden De tilslutter strømkilden, tager maskinen op eller transporterer den. Hvis De bærer maskinen med en finger på afbryderen eller strømforsyner en maskine, hvis afbryder er aktiveret, er der stor risiko for ulykker.
10. Inspicér inden brug strømforsyningen og forlængerledningen for tegn på beskadigelse og ældning.
11. Hvis ledningen lider skade under brugen, skal den straks tages ud af forbindelse med strømforsyningen. Rør ikke ved ledningen, inden strømforsyningen er afbrudt.
12. Brug ikke maskinen, hvis ledningerne er beskadigede eller udslidte.
13. Hold forlængerledningen borte fra skæredelene.

Forberedelse til anvendelse

1. Inden maskinen samles eller justeres, skal man tage stikket ud af strømforsyningen.
2. Tag altid beskyttelseshandsker på, inden De håndterer skærebladet.
3. Inden strømtilslutning skal man inspicere maskinen for beskadigelse, løse skruer/møtrikker eller forkert samling. Skærp sløve skæreblade. Hvis skærebladet er bøjet eller beskadiget, skal det skiftes ud. Kontroller, at alle kontrolarme og knapper fungerer problemfrit. Rengør og aftør håndtagene.
4. Forsøg aldrig at tænde for maskinen, hvis den er beskadiget eller ikke helt samlet. Dette kan resultere i alvorlig tilskadekomst.
5. Fjern alle justeringsnøgler eller skruenøgler, inden De tænder for maskinen. En skruenøgle eller en nøgle, som efterlades monteret på en roterende del af maskinen, kan være årsag til personskade.
6. Indstil skulderselen og håndgrebet, så de passer til operatørens kropsstørrelse.
7. Ved tilslutning skal skæretilbehøret holdes væk fra kroppen og andre genstande, inklusive jorden. Det kan rotere, når det starter, og kan være årsag til tilskadekomst eller beskadigelse af maskinen og/eller andre ting.

Anvendelse

1. Sluk straks for maskinen i nødsfald.
2. Sluk for maskinen, hvis De mærker noget usædvanligt (f.eks. støj, vibration). Brug ikke maskinen, før årsagen er klarlagt og problemet løst.
3. Advarsel: Skæretilbehøret fortsætter med at rotere i kort tid, efter at der er slukket for maskinen. Forcéér ikke tilslutningen til skæretilbehøret.
4. Brug altid skulderselen under arbejdet. Hold maskinen fast ved Deres højre side.
5. Ræk ikke over. Oprethold til enhver tid et godt fodfæste og en god balance. Vær opmærksom på skjulte genstande som f.eks. træstubbe, rødder og grøfter, så De ikke snubler.
6. Arbejd aldrig på en stige eller oppe i et træ, da De herved kan tabe herredømmet over maskinen.

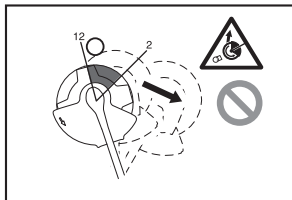
7. Inden De bruger maskinen og efter et kraftigt stød eller fald, skal man kontrollere tilstanden, inden man fortsætter med at arbejde. Kontroller kontrollerne og sikkerhedsanordningerne for fejlfunktion. Hvis der er beskadigelse eller De er i tvivl om noget, ret da gerne henvendelse til vores autoriserede servicecenter angående inspektion og reparation.
8. Rør ikke ved gearkassen. Gearkassen bliver varm under brugen.
9. Hold en pause for at forhindre at De mister herredømmet over maskinen på grund af træthed. Vi anbefaler en pause på 10 til 20 minutter hver time.
10. Tag altid maskinen ud af strømforbinding, hvis De efterlader den selv i kort tid. En uovervåget maskine, som efterlades i strømforbinding, kan blive brugt af uautoriserede personer med en alvorlig ulykke som resultat.
11. Hvis græs eller grene er blevet viklet ind i skæretilbehøret og skærmen, skal De altid slukke for maskinen og trække strømtikket ud inden rengøring. Ellers kan skæretilbehøret begynde at rotere utilsigtet og være årsag til alvorlig tilskadekomst.
12. Hvis skæretilbehøret rammer sten eller andre hårde genstande, skal De straks slukke for maskinen. Tag derefter strømtikket ud og inspicér skæretilbehøret.
13. Efterse hyppigt skæretilbehøret under brugen for at se, om der er revner eller beskadigelse. Inden inspektion skal man trække strømtikket ud og vente, indtil skæretilbehøret er helt stoppet. Udskift straks et beskadiget skæretilbehør, selv hvis det kun har overfladiske revner.
14. Brug aldrig maskinen over hofte højde.
15. Inden start af skærearbejdet, skal De vente indtil skæretilbehøret er kommet op på en konstant hastighed, efter at der er tændt for maskinen.
16. Hvis der anvendes metalblade, skal maskinen svinges i en halvcirkel fra højre til venstre som en le.
17. Hold kun maskinen i dens isolerede grebflader, da skærebladet kan komme i kontakt med skjulte ledninger. Skæreblade, som kommer i kontakt med strømførende ledninger, kan gøre dele af maskinen strømførende, hvilket kan give operatøren elektriske stød.
18. Sørg altid for, at ventilationsåbningerne er fri for affald.

Skæretilbehør

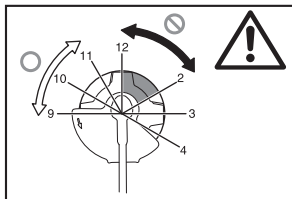
1. Brug et passende skæretilbehør til det aktuelle job.
 - Nylon-skærehoveder (strengtrimmerhoveder) er egnede til at klippe plænegræs.
 - Metalblade er egnede til at klippe ukrudt, højt græs, buske, underskov, krat og lignende.
 - Brug aldrig andre blade, inklusive metal multidele drejekæder og plejblade. Det kan resultere i alvorlig tilskadekomst.
2. Brug altid en skæretilbehørsskærm, som er egnet til det anvendte skæretilbehør.
3. Brug aldrig metalskæredede med nylon-skæremodeller.
4. Når der anvendes metalblade, skal man altid undgå "tilbageslag" og altid gardere sig mod tilfældige tilbageslag. Se afsnittet "Tilbageslag".

Tilbageslag (bladslag)

1. Tilbageslag (bladslag) er en pludselig reaktion på et skærebånd, der har sat sig fast eller binder. Hvis det sker, vil maskinen blive kastet sidelæns eller mod operatøren med stor kraft, hvilket kan medføre alvorlig tilskadekomst.
2. Tilbageslag forekommer i særlig grad, når et bladsegment mellem klokken 12 og 2 anvendes på faste genstande, buske og træer med en diameter på 3 cm eller derover.



3. Sådan undgås tilbageslag:
 - Brug segmentet mellem klokken 8 og 11.
 - Brug aldrig segmentet mellem klokken 12 og 2.
 - Brug aldrig segmentet mellem klokken 11 og 12 og mellem klokken 2 og 5, med mindre operatøren er veluddannet og erfaren og gør det på eget ansvar.
 - Brug aldrig skærebånd tæt på faste ting, som f.eks. hegn, vægge, træstammer og sten.
 - Brug aldrig skærebånd vertikalt til f.eks. arbejde som kantning og klipning af hække.



Vibration

1. Personer med dårligt blodomløb, som udsættes for ekstreme vibrationer, kan komme til skade med blodårerne eller nervesystemet. Vibration kan give de følgende symptomer i fingrene, hænderne eller håndleddene: "Sove" (følelsesløshed), snurren, smerte, jagende smerte, ændring af hudfarve eller huden. Søg lægehjælp, hvis nogen af disse symptomer opstår!
2. For at reducere risikoen for "hvide fingre sygdom", skal man altid holde hænderne varme under arbejdet og holde maskinen og tilbehøret i god stand.

Transport

1. Inden maskinen transporteres, skal man slukke for den og tage den ud af strømforbindelse. Sæt dækslet på skærebåndet.
2. Når maskinen transporteres, skal dette ske i vandret stilling ved at man holder i skaftet.
3. Når maskinen transporteres i et køretøj, skal man fastgøre den ordentligt for at holde den på plads. Ellers kan maskinen og anden bagage lide skade.

Vedligeholdelse

1. Få maskinen service hos vores autoriserede servicecenter, som altid anvender udelukkende originale udskiftingsdele. Forkerte reparationer og dårlig vedligeholdelse kan afkorte maskinens levetid og øge risikoen for ulykker.
2. Inden De udfører nogen vedligeholdelses- eller reparationsarbejder eller rengør maskinen, skal De altid slukke for den og tage den ud af strømforbindelse.
3. Brug altid beskyttelseshandsker, når De håndterer skærebåndet.
4. Fjern altid støv og snavs fra maskinen. Brug aldrig benzin, rensbenzin, fortynder, alkohol eller lignende til dette formål. Resultatet kan blive misfarvning, deformation eller revner i plasticdelene.
5. Stram alle skruer og møtrikker efter hver brug.
6. Forsøg ikke at udføre nogen vedligeholdelses- eller reparationsarbejder, som ikke er beskrevet i denne brugervejledning. Få sådant arbejde udført hos vores autoriserede servicecenter.
7. Brug altid kun vores originale reservedele og tilbehør. Brug af dele eller tilbehørsdele, som er fremstillet af tredjepart, kan resultere i maskinsammenbrud, materiel skade og/eller alvorlig tilskadekomst.
8. Bed vores autoriserede servicecenter om at inspicere og vedligeholde maskinen med jævne mellemrum.

Opbevaring

1. Inden De lægger maskinen til opbevaring, skal De udføre fuld rengøring og vedligeholdelse. Tag strømstikket ud af forbindelse. Sæt dækslet på skærebåndet.
2. Opbevar maskinen på et tørt og højt eller aflåst sted uden for børns rækkevidde.
3. Lad ikke maskinen hvile mod noget som f.eks. en væg. I så fald kan den pludseligt vælte og være årsag til tilskadekomst.

Førstehjælp

1. Hav altid en førstehjælpskasse i beredskab. Erstat straks enhver ting, som er fjernet fra førstehjælpskassen.
2. Oplys om følgende, når De beder om hjælp:
 - Ulykkens lokalitet
 - Hvad der skete
 - Antal tilskadedømte personer
 - Skadens art
 - Deres navn

GEM DISSE INSTRUKTIONER.

⚠ ADVARSEL:

LAD IKKE bekvemmelighed eller kendskab til produktet (opnået gennem gentagen anvendelse) erstatte nøje overholdelse af sikkerhedsreglerne for det pågældende produkt. MISBRUG eller forsømmelse af at overholde de sikkerhedsregler, som er angivet i denne brugervejledning, kan føre til alvorlig personskade.

BESKRIVELSE AF DELENE (Fig. 1)

FUNKTIONSBESKRIVELSE

⚠ ADVARSEL:

- Sørg altid for, at der er slukket for maskinen og at den er taget ud af forbindelse, inden De justerer eller kontrollerer maskinens funktioner. Forsømmelse af at slukke for maskinen og tage den ud af forbindelse kan resultere i alvorlig personskade forårsaget af utilsigtet start.

Anvendelse af strømafbryderen (Fig. 2)

⚠ ADVARSEL:

- Inden man sætter maskinen i forbindelse, skal man altid kontrollere, at afbrydertriggeren fungerer ordentligt og returnerer til "OFF"-stillingen, når den frigøres. Træk ikke kraftigt i afbrydertriggeren uden at låsearmen er sat i stilling. Dette kan medføre brud på afbryderen. Anvendelse af en maskine med en afbryder, der ikke fungerer ordentligt, kan føre til at De mister herredømmet over maskinen med alvorlig tilskadekomst som resultat.

For at forhindre afbrydertriggeren i at blive utilsigtet trukket, er maskinen udstyret med en låsearm.

For at starte maskinen, skal man skyde låsearmen fremad og derefter trække afbrydertriggeren. Frigør afbrydertriggeren for at stoppe.

Nylonskærehoved (Fig. 3)

BEMÆRKNING:

- Forsøg ikke at bump-fremføre hovedet, mens maskinen kører med højt RPM. Bump-fremføring ved højt RPM kan medføre skade på nylonskærehovedet.
- Bump-fremføring vil ikke fungere ordentligt, hvis hovedet ikke roterer.

BEMÆRK:

- Standardtilbehør varierer, afhængigt af modellen og landet.

Nylonskærehovedet er en dobbelt græstrimmer, som er udstyret med en bump & fremføringsmekanisme.

For at fremføre nylonsnoren, skal man bumpe skærehovedet mod jorden, mens skærehovedet roterer.

BEMÆRK:

- Hvis nylonsnoren ikke kommer ud, når hovedet bumpes, skal man tilbagespole/udskifte nylonsnoren ved at følge den fremgangsmåde, som er beskrevet under "Vedligeholdelse".

Kabelholder (Fig. 4)

Lav en lille løkke i strømkablet og hæng den på kabelholderen.

SAMLING

⚠ ADVARSEL:

- Sørg altid for, at maskinen er afbrudt og taget ud af forbindelse, inden De udfører noget arbejde på maskinen. Forsømmelse af at slukke for maskinen og tage den ud af forbindelse kan resultere i alvorlig personskade forårsaget af utilsigtet start.
- Start aldrig maskinen, med mindre den er helt samlet. Anvendelse af maskinen i delvist samlet stand kan resultere i alvorlig personskade på grund af utilsigtet start.

Montering af håndtaget (Fig. 5)

⚠ ADVARSEL:

- Undlad at fjerne eller mindske afstandsstykket eller puden. Afstandsstykket sørger for en vis afstand mellem begge hænder. Indstilling af greb/barriere-enheden tæt på det andet greb udover længden af afstandsstykket kan bevirke, at De mister herredømmet over maskinen med alvorlig tilskadekomst som resultat.

Sæt håndtaget og barrieren på gummiedelen på skafrøret. Indstil håndtagets placering, og stram dem derefter med fire bolte.

Godkendt kombination af skæreværktøj og beskytter

⚠ ADVARSEL:

- Brug altid maskinen med den godkendte kombination af sikkerhedsudstyr. Ellers kan kontakt med et skæreværktøj medføre alvorlig tilskadekomst.
- Brug aldrig maskinen uden at beskyttelseskærmen, som illustreret, er på plads. Forsømmelse af at dette kan resultere i alvorlig tilskadekomst.

BEMÆRK:

- Standardtilbehør varierer, afhængigt af modellen og landet.

For skærebånd (Fig. 6)

For nylonskærehoved (Fig. 7)

Montering af beskytteren for skærebånd (Fig. 8)

1. Sæt hullerne i den indvendige beskytter ud for hullerne i gearkassen.
2. Stram dem derefter med tre bolte.

Montering af beskytteren for nylonhovedet

⚠ FORSIGTIG:

- Vær forsigtig med ikke at komme til skade på skæreren til skæring af nylonsnoren.
 - Glem ikke at fjerne skærerbeskytteren inden brugen.
1. Sæt de fire bolte på den udvendige beskytter ud for hullerne på den indvendige beskytter. (Fig. 9)
 2. Stram dem med de fire bolte.
 3. Sæt hullerne i den indvendige beskytter ud for hullerne i gearkassen.
 4. Stram dem med bolte. (Fig. 10)

Montering af skærebåndet

⚠ ADVARSEL:

- Skærebåndets udvendige diameter skal være 230 mm. Brug aldrig et bånd, der overstiger 230 mm i udvendig diameter.

⚠ FORSIGTIG:

- Skærebåndet skal være godt poleret og fri for revner eller brud. Polér eller udskift skærebåndet efter hver tre timers brug.
- Brug altid handsker, når De håndterer skærebåndet.
- Monter altid bladdækslet, når maskinen ikke er ibrug eller transporteres.
- Skærebåndets befæstelsesmøtrik vil blive udslidt i tidens løb. Skift møtrikken ud, hvis den udviser slitage eller deformation. Bestil den hos det lokale servicecenter.

BEMÆRKNING:

- Brug altid originale skærebånd.

Vend maskinen på hovedet, så skærebladet nemt kan udskiftes. (Fig. 11)

1. Sæt modtagespændeskiven på akslen.
2. Drej modtagespændeskiven, indtil hakket på den hægtes på hakket på gearkassen.
3. Sæt den runde stang gennem begge hak, så modtagespændeskiven ikke kan drejes.
4. Sæt bladet på modtagespændeskiven.
5. Sæt spændeskiven på bladet.
6. Sæt koppen på bladet.
7. Stram dem med møtrikken ved at dreje den mod uret, idet De holder i den runde stang.

Bladet fjernes ved at man udfører ovenstående trin i modsat rækkefølge.

Montering af nylonkærehovedet (Fig. 12)

BEMÆRKNING:

- Sørg for at anvende et originalt nylonkærehoved.

Vend maskinen på hovedet, så De nemt kan udskifte nylonkærehovedet.

BEMÆRK:

- Fjern dækslet på snoreskæreren inden brug.
1. Sæt modtagespændeskiven på akslen.
 2. Drej modtagespændeskiven, indtil hakket på den hægtes på hakket på gearkassen.
 3. Sæt den runde stang gennem begge hak, så modtagespændeskiven ikke kan drejes.
 4. Monter nylonkærehovedet ved at dreje det mod uret.
 5. Fjern den runde stang efter at nylonkærehovedet er monteret.

Nylonhovedet fjernes ved at man udfører ovenstående trin i modsat rækkefølge.

ANVENDELSE

Korrekt håndtering af maskinen (Fig. 13)

Korrekt stilling

⚠ ADVARSEL:

- **Anbring altid maskinen på Deres højre side, således at barrieren altid er foran Dem.** Korrekt placering af maskinen giver den ultimative kontrol og vil reducere risikoen for alvorlig tilskadekomst, som er forårsaget af tilbageslag.

⚠ FORSIGTIG:

- **Hvis nylonkærehovedet under brugen ved et uheld rammer en sten eller en hård genstand, skal man stoppe maskinen og se efter om der er nogen beskadigelse. Hvis skæreværktøjet er beskadiget, skal det straks skiftes ud.** Brug af et beskadiget skæreværktøj kan resultere i personskade.

Anbring skulderselen over venstre skulder ved at stikke hovedet og den højre arm gennem den, og hold maskinen ved Deres højre side, idet De hele tiden holder barrieren foran Dem.

Montering af skulderselen (Fig. 14)

Indstil seletængden således, at skæreværktøjet holdes parallelt med jorden.

Sæt bøjlen og selen sammen.

⚠ ADVARSEL:

- **Vær yderst omhyggelig med til enhver tid at opretholde kontrollen over maskinen. Lad ikke maskinen blive afbøjet mod Dem eller andre personer i arbejdsområdet.** Hvis kontrollen over maskinen ikke opretholdes, kan resultatet blive at såvel omkringstående personer som operatøren kommer alvorligt til skade.

Indstilling af bøjlepositionen og skulderselen (Fig. 15)

Indstil bøjlepositionen som illustreret. (Fig. 16)

For at ændre bøjlepositionen, skal man løsne bolten på bøjlen. Flyt derefter bøjlen.

Når bøjlepositionen er justeret, skal man stramme bolten godt med skrueøglen.

VEDLIGEHOLDELSE

⚠ ADVARSEL:

- **Sørg altid for, at maskinen er slukket og taget ud af forbindelse, inden De udfører inspektion eller vedligeholdelse af maskinen.** Forsømmelse af at slukke for maskinen og tage den ud af forbindelse kan resultere i alvorlig personskade forårsaget af utilsigtet start.

BEMÆRKNING:

- Brug aldrig benzin, rensebenzin, fortynder, alkohol eller lignende. Resultatet kan blive misfarvning, deformation eller revner.

Udskiftning af nylonnsoren (Fig. 17)

⚠ ADVARSEL:

- **Sørg for, at nylonkærehovedet sidder godt fast på maskinen inden brugen.** Forsømmelse af at fastgøre nylonkærehovedet ordentligt kan bevirke, at det slynges af med alvorlig tilskadekomst som resultat.

1. Fjernelse af nylonkærehovedet.
2. Tag dækslet af ved at trykke på de to rigeler, som er i rillesektionen modsat på siden af koppen.
3. Fjern spolen. Og fjern nylonnsoren fra spolen.
4. Skær en nylonnsor i et stykke på 3 – 6 m. Fold snoren i to halvdele. Lad den ene halvdel være 80 – 100 mm længere end den anden. (Fig. 18)
5. Sæt midten af den nye nylonnsor på hakket i midten af spolen mellem de to kanaler, som er beregnet til nylonnsoren. (Fig. 19)
6. Vind begge ender godt langs kanalerne i den retning, der er angivet med pilen på spolen. (Fig. 20)
7. Før nylonnsorene gennem øskenerne, så de kommer ud af koppen.
8. Sæt fremspringene på undersiden af dækslet ud for rillerne i øskenerne. Tryk derefter dækslet fast på koppen for at fastgøre det. Sørg for, at riglerne er helt spredt i dækslet.

For at opretholde SIKKERHEDEN og PÅLIDELIGHEDEN, skal reparationer, andre vedligeholdelsesarbejder eller justeringer udføres af et autoriseret Makita servicecenter med brug af udelukkende Makita udskiftningsdele.

VEDLIGEHOLDELSESINTERVAL

Dele:	Interval:	Fremgangsmåde:
Strømforsyningsledning	Hver gang inden brug	Inspicér visuelt, om den er meget udslidt eller beskadiget. Bed dit lokale service-center om reparation, hvis der er tale om beskadigelse.
Hjælpehåndtagsskrue	Hver gang inden brug	Kontroller, om skruen skulle være løs. Stram skruen, hvis den er løs. Skift skruen ud, hvis den er beskadiget.
Skæreværktøjsskærm (beskyttelsesskærm)	Hver gang inden brug	Kontroller, om skruen skulle være løs, og at beskyttelsesskærmen ikke er beskadiget. Stram skruen, hvis den er løs. Skift beskyttelsesskærmen ud, hvis den er beskadiget.
Skæreblad	Hver 10. time	Smør med antirustolie efter hver brug. Kontroller, om den skulle være beskadiget. Skift den ud i tilfælde af beskadigelse.
Nylonskærehoved	Hver 10. time	Inspicér visuelt om den skulle være meget udslidt eller beskadiget. Skift den ud, hvis den er beskadiget.
Gearstang	Hver 10. time	Smør med antirustolie.

FEJLFINDING

Udfør først selv inspektion, inden De bestiller reparation. Hvis De finder et problem, som ikke er forklaret i denne brugervejledning, må De ikke forsøge at skille maskinen ad. Få i stedet et autoriseret Makita servicecenter til at løse problemet med brug af udelukkende Makita udskiftningsdele.

Fejlfunktionsstatus	Årsag	Handling
Motoren kører ikke.	Strømkablet er ikke tilsluttet.	Tilslut det.
	Strømkablet er i stykker.	Få det repareret hos Deres lokale servicecenter.
	Drivsystemet fungerer ikke korrekt.	
Motoren stopper efter kort tid.	Overophedning.	Stop brugen af maskinen for at lade den køle af.
Den når ikke op på maks. RPM.	Drivsystemet fungerer ikke korrekt.	Få det repareret hos Deres lokale servicecenter.
Skæreværktøjet roterer ikke: stop straks maskinen!	Et fremmedlegeme som f.eks. en gren sidder fast mellem beskyttelseskærmen og nylon-skærehovedet.	Fjern fremmedlegemet.
	Skærebladets befæstelsesmøtrik er løs.	Stram møtrikken godt som beskrevet i denne vejledning.
	Skærebladet er bøjet.	Skift det ud med et nyt.
	Drivsystemet fungerer ikke korrekt.	Få det repareret hos Deres lokale servicecenter.
Unormal vibration: stop straks maskinen!	Den ene ende af nylon-snoren er knækket.	Bump nylon-skærehovedet mod jorden, mens det roterer for at få snoren ført frem.
	Skærebladet er bøjet, revnet eller udslidt.	Skift det ud med et nyt.
	Skærebladets befæstelsesmøtrik er løs.	Stram møtrikken godt som beskrevet i denne vejledning.
	Skærebladet er ikke fastgjort korrekt.	
	Drivsystemet fungerer ikke korrekt.	Få det repareret hos Deres lokale servicecenter.
Skæreværktøjet og motoren kan ikke stoppe: tag straks maskinen ud af strømforbindelse.	Elektrisk eller elektronisk fejlfunktion.	Tag maskinen ud af strømforbindelse og bestil reparation hos det lokale servicecenter.

EKSTRAUDSTYR

FORSIGTIG:

- Disse tilbehørsdele eller ekstraudstyr anbefales til brug med Deres Makita maskine som specificeret i denne brugervejledning. Brug af andet ekstraudstyr eller andre tilbehørsdele kan udgøre en risiko for personskade. Brug kun ekstraudstyr eller tilbehørsdele til deres beregnede formål.

Henvend Dem gerne til det lokale Makita servicecenter, hvis De har behov for hjælp angående dette ekstraudstyr.

- Skæreblad
- Nylon-skærehoved
- Nylon-snør (skæreline)
- Skuldersele

BEMÆRK:

- Nogle ting på listen kan være inkluderet i maskinpakken som standardtilbehør. De kan variere fra land til land.

Περιγραφή γενικής όψης

1 Υποδοχέας καλωδίου	9 Προφυλακτήρας κοπτικού εργαλείου (προστατευτικό)	19 Στρογγυλή ράβδος
2 Ηλεκτρικό καλώδιο (το σχήμα μπορεί να διαφέρει ανάλογα με τη χώρα)	10 Κοπτικό εργαλείο	20 Λεπίδα
3 Πίσω λαβή	11 Ιμάντας ώμου	21 Ροδέλα σφικτήρα
4 Μοχλός ασφάλισης	12 Απόσβεση	22 Κούπα
5 Διακόπτης-σκανδάλη	13 Πιο αποδοτική περιοχή κοπής	23 Παξιμάδι
6 Μπροστινή λαβή	14 Λαβή	24 Κεφαλή κοπής με νάιλον
7 Κρίκος (σημείο ανάρτησης)	15 Ελαστικό τμήμα	25 Κόπτης πετονιάς
8 Φραγμός	16 Εσωτερικό προστατευτικό	26 Κάλυμμα
	17 Εξωτερικό προστατευτικό	27 Κρίκος
	18 Ροδέλα λήψης	28 80 – 100 χιλ
		29 Καρούλι

ΠΡΟΔΙΑΓΡΑΦΕΣ

Μοντέλο	UR2300	UR3502
Τύπος λαβής	Λαβή με βρόχο	
Συνολικό μήκος	1.630 χιλ	
Συνεχόμενη ονομαστική εισοδος	1.000 W	
Ταχύτητα χωρίς φορτίο	5.700 λεπ ⁻¹	5.700 λεπ ⁻¹
Κοπτικό εργαλείο	Λεπίδα κόπτη	Κεφαλή κοπής με νάιλον
Πλάτος κοπής	230 χιλ	350 χιλ
Καθαρό βάρος	4,7 Χγρ	4,9 Χγρ
Τάξη ασφάλειας	☐/II	

- Λόγω του συνεχόμενου προγράμματος που εφαρμόζουμε για έρευνα και ανάπτυξη, τα τεχνικά χαρακτηριστικά στο παρόν έντυπο υπόκεινται σε αλλαγή χωρίς προειδοποίηση.
- Τα τεχνικά χαρακτηριστικά μπορεί να διαφέρουν ανάλογα με τη χώρα.
- Βάρος σύμφωνα με τη διαδικασία ΕΡΤΑ 01/2003

Θόρυβος	Μέση στάθμη ηχητικής πίεσης		Μέση στάθμη ηχητικής ισχύος		Ισχύοντα πρότυπα
	Κοπτικό εργαλείο	L _{PA} (dB(A))	Αβεβαιότητα K (dB(A))	L _{WA} (dB(A))	
Λεπίδα κόπτη	80,8	2,5	93,45	1,23	EN 60335-1, EN 50636-2-91, EN ISO 11806
Κεφαλή κοπής με νάιλον	85,3	2,5	93,84	1,58	

- Να φοράτε ωτοασπίδες.

Κραδασμοί	Μπροστινή λαβή		Πίσω λαβή		Ισχύοντα πρότυπα
	Κοπτικό εργαλείο	a _h (m/s ²)	Αβεβαιότητα K (m/s ²)	a _h (m/s ²)	
Λεπίδα κόπτη	2,856	1,5	2,712	1,5	EN 60335-1, EN 50636-2-91, EN ISO 11806
Κεφαλή κοπής με νάιλον	2,768	1,5	2,694	1,5	

- Η δηλωμένη τιμή κραδασμών μετρήθηκε σύμφωνα με την τυποποιημένη μέθοδο δοκιμών και μπορεί να χρησιμοποιηθεί για τη σύγκριση μεταξύ εργαλείων.
- Η δηλωμένη τιμή κραδασμών μπορεί επίσης να χρησιμοποιηθεί στην προκαταρκτική αξιολόγηση της έκθεσης.

ΠΡΟΕΙΔΟΠΟΙΗΣΗ:

- Οι κραδασμοί κατά τη διάρκεια της πραγματικής χρήσης του ηλεκτρικού εργαλείου μπορεί να διαφέρουν από τη δηλωμένη τιμή, ανάλογα με τον τρόπο που χρησιμοποιείται το εργαλείο.
- Βεβαιωθείτε να χρησιμοποιείτε μέτρα ασφαλείας για την προστασία του χειριστή βάσει μιας εκτίμησης της έκθεσης των πραγματικών συνθηκών χρήσης (λαμβάνοντας υπόψη όλα τα μέρη του κύκλου λειτουργίας όπως όταν απενεργοποιείται το εργαλείο και όταν λειτουργεί στο ρελαντί αλλά και όταν λειτουργεί κανονικά).

Σύμβολα

Παρακάτω παρουσιάζονται τα σύμβολα που χρησιμοποιούνται για τον εξοπλισμό. Βεβαιωθείτε ότι κατανοείτε τη σημασία τους πριν από τη χρήση.



- Απαιτείται ιδιαίτερη φροντίδα και προσοχή.



- Διαβάστε το εγχειρίδιο οδηγιών.



- Κίνδυνος. Να προσέχετε για εκτοξευόμενα αντικείμενα.



- Η απόσταση ανάμεσα στο εργαλείο και τους παρευρισκόμενους πρέπει να είναι τουλάχιστον 15 μέτρα.



- Να απομακρύνετε τυχόν παρευρισκόμενους.



- Να φοράτε κράνος ασφαλείας, προστατευτικά γυαλιά και ωτοασπίδες.



- Να φοράτε προστατευτικά γάντια.



- Να φοράτε ανθεκτικές μπότες με αντιολισθητικές σόλες. Συνιστώνται μπότες ασφαλείας με ασάλινα προστατευτικά για τα δάκτυλα των ποδιών.



- Μην εκθέτετε σε υγρασία.



- Αποσυνδέστε το φως του ηλεκτρικού καλωδίου από την πρίζα της κεντρικής ηλεκτρικής παροχής αν το καλώδιο έχει υποστεί ζημιά ή έχει μπλεχτεί.



- Αποφύγετε το κλότσημα.



- Κρατήστε απόσταση τουλάχιστον 15 μέτρα.



- ΔΙΠΛΗ ΜΟΝΩΣΗ



- Μόνο για τις χώρες της ΕΕ
Μην απορρίπτετε ηλεκτρικό εξοπλισμό μαζί με τα οικιακά απορρίμματα!
Σύμφωνα με την Ευρωπαϊκή Οδηγία σχετικά με απόβλητο ηλεκτρικό και ηλεκτρονικό εξοπλισμό και την ενσωμάτωσή της στην εθνική νομοθεσία, ο ηλεκτρικός εξοπλισμός που έχει φτάσει το τέλος ζωής του πρέπει να συλλέγεται ξεχωριστά και να επιστρέφεται σε περιβαλλοντικά συμβατές εγκαταστάσεις ανακύκλωσης.

ΔΗΛΩΣΗ ΣΥΜΜΟΡΦΩΣΗΣ ΕΚ

Για τις ευρωπαϊκές χώρες μόνο

Η δήλωση συμμόρφωσης ΕΚ περιλαμβάνεται ως Παράρτημα Α σε αυτό το εγχειρίδιο οδηγιών.

Γενικές Προειδοποιήσεις Ασφαλείας Του Ηλεκτρικού Εργαλείου

⚠️ ΠΡΟΕΙΔΟΠΟΙΗΣΗ Διαβάστε όλες τις προειδοποιήσεις ασφαλείας και όλες τις οδηγίες. Αν δεν ακολουθήσετε όλες τις προειδοποιήσεις και τις οδηγίες, υπάρχει κίνδυνος ηλεκτροπληξίας, πυρκαγιάς ή/και σοβαρού τραυματισμού.

Φυλάξτε όλες τις προειδοποιήσεις και τις οδηγίες για μελλοντική αναφορά.

Ο όρος “ηλεκτρικό εργαλείο” στις προειδοποιήσεις αναφέρεται στο ηλεκτρικό εργαλείο που λειτουργεί συνδεδεμένο στην κεντρική παροχή ηλεκτρικού ρεύματος (με καλώδιο) ή στο ηλεκτρικό εργαλείο που λειτουργεί με μπαταρία (χωρίς καλώδιο).

Ασφάλεια στο χώρο εργασίας

1. **Να διατηρείτε το χώρο εργασίας καθαρό και καλά φωτισμένο.** Σε ακατάστατους ή σκοτεινούς χώρους προκαλούνται ατυχήματα.
2. **Μη θέτετε τα ηλεκτρικά εργαλεία σε λειτουργία σε ερηκτικές ατμόσφαιρες, όπως παρουσία εύφλεκτων υγρών, αερίων ή σκόνης.** Τα ηλεκτρικά εργαλεία δημιουργούν σπινθήρες που μπορεί να προκαλέσουν ανάφλεξη της σκόνης ή των ατμών.
3. **Να απομακρύνετε τα παιδιά και τους μη έχοντες εργασία όταν χειρίζεστε ένα ηλεκτρικό εργαλείο.** Αν αποσπαστεί η προσοχή σας, μπορεί να χάσετε τον έλεγχο.

Ηλεκτρική ασφάλεια

4. **Το φως του ηλεκτρικού εργαλείου πρέπει να ταιριάζει στην πρίζα. Μην τροποποιείτε ποτέ το φως, με οποιονδήποτε τρόπο. Μη χρησιμοποιείτε προσαρμογείς σε γειωμένα ηλεκτρικά εργαλεία.** Τα φως που δεν έχουν τροποποιηθεί και οι πρίζες που ταιριάζουν στα φως μειώνουν το κίνδυνο πρόκλησης ηλεκτροπληξίας.
5. **Να αποφεύγετε την επαφή του σώματος με γειωμένες επιφάνειες, όπως σωλήνες, calorifέρ, φούρνους και ψυγεία.** Υπάρχει αυξημένος κίνδυνος για πρόκληση ηλεκτροπληξίας εάν το σώμα σας είναι γειωμένο.
6. **Μην εκθέτετε τα ηλεκτρικά εργαλεία στη βροχή ή σε υγρές συνθήκες.** Αν εισέλθει νερό σε κάποιο ηλεκτρικό εργαλείο, αυξάνεται ο κίνδυνος για πρόκληση ηλεκτροπληξίας.
7. **Μη χειρίζεστε λανθασμένα το ηλεκτρικό καλώδιο. Μη χρησιμοποιείτε ποτέ το ηλεκτρικό καλώδιο για να μεταφέρετε ή να τραβήξετε το ηλεκτρικό εργαλείο, αλλά ούτε για να βγάλετε το φως του ηλεκτρικού εργαλείου από την πρίζα. Να διατηρείτε το ηλεκτρικό καλώδιο μακριά από τη θερμότητα, τα λάδια, τα αιχμηρά αντικείμενα και τα κινούμενα μέρη.** Τα ηλεκτρικά καλώδια που έχουν υποστεί βλάβες και τα μπλεγμένα καλώδια αυξάνουν τον κίνδυνο για πρόκληση ηλεκτροπληξίας.
8. **Όταν χειρίζεστε κάποιο ηλεκτρικό εργαλείο σε εξωτερικούς χώρους, να χρησιμοποιείτε προεκτάση ηλεκτρικού καλωδίου (μπαταντζά) κατάλληλη για εξωτερική χρήση.** Αν χρησιμοποιείτε ηλεκτρικό καλώδιο κατάλληλο για εξωτερική χρήση, μειώνεται ο κίνδυνος για πρόκληση ηλεκτροπληξίας.
9. **Εάν η λειτουργία του ηλεκτρικού εργαλείου σε μια υγρή περιοχή δεν μπορεί να αποφευχθεί, χρησιμοποιήστε μια διάταξη προστασίας ρεύματος διαρροής (RCD).** Η χρήση της RCD ελαττώνει τον κίνδυνο ηλεκτροπληξίας.

10. **Συνιστάται πάντοτε η χρήση ηλεκτρικής παροχής μέσω μιας RCD με ονομαστική τιμή ρεύματος διαρροής 30 mA ή λιγότερο.**

Προσωπική ασφάλεια

11. **Όταν χειρίζεστε κάποιο ηλεκτρικό εργαλείο, να είστε σε ετοιμότητα, να προσέχετε τι κάνετε και να χρησιμοποιείτε κοινή λογική. Μη χειρίζεστε κάποιο ηλεκτρικό εργαλείο όταν είστε κουρασμένοι ούτε όταν βρίσκεστε κάτω από την επίρροια ναρκωτικών ουσιών, αλκοόλ ή φαρμάκων.** Μια στιγμή απροσεξίας κατά τη διάρκεια χειρισμού των ηλεκτρικών εργαλείων μπορεί να προκαλέσει σοβαρό προσωπικό τραυματισμό.
 12. **Χρησιμοποιήστε προσωπικό εξοπλισμό προστασίας. Να φοράτε πάντοτε προστατευτικά ματιών.** Ο προστατευτικός εξοπλισμός όπως η προσωπίδα κατά της σκόνης, τα αντλιοσθητικά παπούτσια ασφαλείας, το κράνος, ή τα προστατευτικά ακοής, που χρησιμοποιείται ανάλογα με τις συνθήκες θα ελαττώσει τους προσωπικούς τραυματισμούς.
 13. **Αποτρέψτε την τυχαία ενεργοποίηση. Διασφαλίστε ότι ο διακόπτης βρίσκεται στην ανενεργή θέση πριν από τη σύνδεση στην πηγή ρεύματος και/ή στην μπαταρία, το πιάσιμο ή την μεταφορά του εργαλείου.** Υπάρχει κίνδυνος για πρόκληση ατυχημάτων αν μεταφέρετε τα ηλεκτρικά εργαλεία με το δάκτυλο σας στο διακόπτη ή αν βάζετε ηλεκτρικά εργαλεία στην πρίζα με το διακόπτη στην ενεργή θέση.
 14. **Να απομακρύνετε τυχόν ρυθμιζόμενο κλειδί ή γαλλικό κλειδί πριν θέσετε το ηλεκτρικό εργαλείο σε λειτουργία.** Αν κάποιο κλειδί μείνει προσκολλημένο σε περιστρεφόμενο μέρος του ηλεκτρικού εργαλείου, μπορεί να προκληθεί προσωπικός τραυματισμός.
 15. **Μην τεντώνετε υπερβολικά. Να στέκεστε πάντοτε σταθερά και ισορροπημένα.** Έτσι, θα έχετε καλύτερο έλεγχο του ηλεκτρικού εργαλείου σε απρόσμενες καταστάσεις.
 16. **Να ντύνεστε κατάλληλα. Μη φοράτε φαρδιά ρούχα ή κοσμήματα. Να κρατάτε τα μαλλιά, τα ρούχα και τα γάντια σας μακριά από κινούμενα μέρη.** Υπάρχει κίνδυνος να εμπλακούν τα φαρδιά ρούχα, τα κοσμήματα ή τα μακριά μαλλιά σε κινούμενα μέρη.
 17. **Αν παρέχονται συσκευές για τη σύνδεση διατάξεων εξαγωγής και συλλογής σκόνης, βεβαιωθείτε ότι αυτές είναι συνδεδεμένες και χρησιμοποιούνται σωστά.** Η χρήση συλλογέα σκόνης μπορεί να προκαλέσει την ελάττωση των κινδύνων που οφείλονται στην σκόνη.
- ### Χρήση και φροντίδα ηλεκτρικού εργαλείου
18. **Μην ασκείτε πίεση στο ηλεκτρικό εργαλείο. Να χρησιμοποιείτε το σωστό ηλεκτρικό εργαλείο για την εφαρμογή σας.** Με το σωστό ηλεκτρικό εργαλείο θα πραγματοποιήσετε την εργασία καλύτερα και ασφαλέστερα, έως το βαθμό για τον οποίο έχει σχεδιαστεί.
 19. **Μη χρησιμοποιείτε το ηλεκτρικό εργαλείο αν ο διακόπτης δεν το ενεργοποιεί και το απενεργοποιεί.** Κάθε ηλεκτρικό εργαλείο που δεν μπορείτε να ελέγξετε με το διακόπτη είναι επικίνδυνο και πρέπει να επισκευαστεί.

20. Να απουσιάζετε το φως από την πηγή τροφοδοσίας ή/και να βγάξετε την μπαταρία από το ηλεκτρικό εργαλείο πριν κάνετε οποιοσδήποτε ρυθμίσεις ή αλλαγές εξαρτημάτων και πριν αποθηκεύετε τα ηλεκτρικά εργαλεία. Τέτοια προληπτικά μέτρα ασφάλειας μειώνουν τον κίνδυνο τυχαίας ενεργοποίησης του ηλεκτρικού εργαλείου.
21. Να αποθηκεύετε τα αδρανή ηλεκτρικά εργαλεία μακριά από παιδιά και να μην αφήνετε άτομα που δεν γνωρίζουν το ηλεκτρικό εργαλείο και αυτές τις οδηγίες να χειρίζονται το ηλεκτρικό εργαλείο. Τα ηλεκτρικά εργαλεία αποτελούν κίνδυνο στα χέρια ανειδίκευτων χειριστών.
22. Να συντηρείτε τα ηλεκτρικά εργαλεία. Ελέγξτε για έλλειψη ευθυγράμμισης ή εμπλοκής των κινούμενων μερών, το σπάσιμο των εξαρτημάτων ή την οποιαδήποτε άλλη συνθήκη που μπορεί να επηρεάσει την λειτουργία του ηλεκτρικού εργαλείου. Αν το ηλεκτρικό εργαλείο έχει υποστεί βλάβη, φροντίστε να επισκευαστεί πριν το χρησιμοποιήσετε. Πολλά ατυχήματα προκαλούνται από ηλεκτρικά εργαλεία που δεν έχουν συντηρηθεί σωστά.
23. Να διατηρείτε τα κοπτικά εργαλεία αιχμηρά και καθαρά. Τα κοπτικά εργαλεία που έχουν συντηρηθεί σωστά είναι λιγότερο πιθανό να εμπλακούν και πιο εύκολο να ελεγχθούν.
24. Χρησιμοποιήστε τα ηλεκτρικά εργαλεία, τα αξεσουάρ και τις μύτες του εργαλείου κ.τ.λ. σύμφωνα με αυτές τις οδηγίες, λαμβάνοντας υπόψη τις συνθήκες εργασίας και την εργασία που πρέπει να εκτελεστεί. Αν χρησιμοποιείτε το ηλεκτρικό εργαλείο για λειτουργίες διαφορετικές από αυτές για τις οποίες προορίζεται, μπορεί να προκαληθεί κάποια επικίνδυνη κατάσταση.

Σέρβις

25. Να φροντίζετε το σέρβις του ηλεκτρικού εργαλείου σας να γίνεται από εξειδικευμένο επαγγελματία χρησιμοποιώντας μόνο γνήσια ανταλλακτικά. Έτσι θα είστε σίγουροι για τη διατήρηση της ασφάλειας του ηλεκτρικού εργαλείου.
26. Να ακολουθείτε τις οδηγίες για τη λίπανση και την αλλαγή εξαρτημάτων.
27. Να διατηρείτε τις λαβές στεγνές, καθαρές και χωρίς λάδια και γράσο.

ΣΗΜΑΝΤΙΚΕΣ ΟΔΗΓΙΕΣ ΓΙΑ ΤΗΝ ΑΣΦΑΛΕΙΑ

⚠️ ΠΡΟΕΙΔΟΠΟΙΗΣΗ! Διαβάστε όλες τις προειδοποιήσεις για την ασφάλεια και όλες τις οδηγίες. Αν δεν ακολουθήσετε όλες τις προειδοποιήσεις και οδηγίες, υπάρχει κίνδυνος ηλεκτροπληξίας, πυρκαγιάς ή/και σοβαρού τραυματισμού.

Φυλάξτε όλες τις προειδοποιήσεις και οδηγίες για μελλοντική αναφορά.

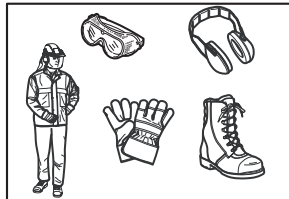
Προοριζόμενη χρήση

1. Το κουρευτικό γκαζόν / κοπτικό θάμνων / κουρευτικό με πετονιά προορίζεται μόνο για την κοπή γκαζόν, θάμνων και χαμηλής βλάστησης. Δεν πρέπει να χρησιμοποιηθεί για οποιοδήποτε άλλο σκοπό, όπως μπορντούρες ή φράκτες από θάμνους, επειδή μπορεί να προκαλέσει τραυματισμό.

Γενικές οδηγίες

1. Μην επιτρέψετε ποτέ σε άτομα που δεν γνωρίζουν αυτές τις οδηγίες, σε άτομα (περιλαμβανομένων παιδιών) με μειωμένες σωματικές, αισθητήριες ή διανοητικές ικανότητες, ή σε άτομα που δεν έχουν πείρα και γνώσεις να χρησιμοποιούν αυτό το εργαλείο. Τα παιδιά θα πρέπει να επιτηρούνται για να εξασφαλιστεί ότι δεν παίζουν με το εργαλείο.
2. Πριν ξεκινήσετε τη λειτουργία του εργαλείου, διαβάστε αυτό το εγχειρίδιο οδηγιών για να εξοικειωθείτε με το χειρισμό του εργαλείου.
3. Μην δανείσετε το εργαλείο σε άτομο με ανεπαρκή πείρα ή γνώσεις για το χειρισμό των κοπών με βούρτσα και κουρευτικών με πετονιά.
4. Όταν δανείτε σε κάποιον το εργαλείο, πάντα να προσαρτάτε αυτό το εγχειρίδιο οδηγιών.
5. Να χειρίζεστε το εργαλείο με τη μεγαλύτερη φροντίδα και προσοχή.
6. Μη χρησιμοποιείτε ποτέ το εργαλείο μετά την κατανάλωση αλκοόλ ή φαρμάκων, ή αν αισθάνεστε κουρασμένοι ή αδιάθετοι.
7. Μην επιχειρήσετε ποτέ να τροποποιήσετε το εργαλείο.
8. Προσέχετε να μην τραυματιστείτε από τη διάταξη για τη ρύθμιση του μήκους της πετονιάς, η οποία είναι προσαρτημένη στο προστατευτικό. Αφού επεκτείνετε τη νέα γραμμή κόπτη, να επιστρέψετε πάντα το μηχανήμα στην κανονική θέση λειτουργίας πριν το ενεργοποιήσετε.
9. Ακολουθήστε τους κανονισμούς της χώρας σας για το χειρισμό των κοπών με βούρτσα και κουρευτικών με πετονιά.

Προσωπικός προστατευτικός εξοπλισμός



1. Φοράτε κράνος ασφαλείας, προστατευτικά γυαλιά και προστατευτικά γάντια για να προστατεύσετε τον εαυτό σας από τα αντικείμενα που εκτοξεύονται ή πέφτουν.
2. Φοράτε προστατευτικά αυτιά, όπως ωτοασπίδες, για να αποτρέψετε την απώλεια της ακοής σας.
3. Φοράτε σωστό ρουχισμό και παπούτσια για την ασφαλή λειτουργία, όπως ολόσωμη φόρμα εργασίας και σταθερά, αντιολισθητικά παπούτσια. Μη φοράτε φαρδιά ρούχα ή κοσμήματα. Υπάρχει κίνδυνος να εμπλακούν τα φαρδιά ρούχα, τα κοσμήματα ή τα μακριά μαλλιά σε κινούμενα μέρη.
4. Όταν αγγίζετε τη λεπίδα κόπτη, να φοράτε προστατευτικά γάντια. Οι λεπίδες κόπτη μπορούν να κόψουν σοβαρά τα γυμνά χέρια.

Ασφάλεια στο χώρο εργασίας

1. Να χειρίζεστε το εργαλείο μόνο κάτω από συνθήκες καλής ορατότητας και όταν έχει ακόμα φως έξω. Μη χειρίζεστε το εργαλείο στο σκοτάδι ή όταν υπάρχει ομίχλη.

2. Μη θέτετε το εργαλείο σε λειτουργία σε εκρηκτικές ατμόσφαιρες, όπως παρουσία εύφλεκτων υγρών, αερίων ή σκόνης. Το εργαλείο δημιουργεί σπινθήρες που μπορεί να προκαλέσουν ανάφλεξη της σκόνης ή των ατμών.
3. Κατά τη διάρκεια της λειτουργίας, μην στέκεστε ποτέ σε ασαφή ή ολισθηρή επιφάνεια ή σε κατηφόρα. Κατά τις κρίσιμες εποχές, να προσέχετε τον πάγο και το χιόνι και να φροντίζετε ώστε να πατάτε καλά.
4. Κατά τη διάρκεια της λειτουργίας, οι παρευρισκόμενοι ή τα ζώα πρέπει να παραμένουν τουλάχιστον 15 μέτρα μακριά από το εργαλείο. Να διακόπτετε τη λειτουργία του εργαλείου μόλις κάποιος πλησιάζει.
5. Πριν τη λειτουργία, εξετάστε αν υπάρχουν πέτρες ή άλλα στερεά αντικείμενα στην περιοχή εργασίας. Μπορεί να πεταχτούν ή να προκαλέσουν επικίνδυνο κλότσημα, και να έχουν ως αποτέλεσμα σοβαρό τραυματισμό ή/και ζημιά σε ιδιοκτησία.
6. **⚠️ ΠΡΟΕΙΔΟΠΟΙΗΣΗ:** Η χρήση αυτού του προϊόντος μπορεί να δημιουργήσει σκόνη που περιέχει χημικές ουσίες, οι οποίες προκαλούν αναπνευστικές ή άλλες ασθένειες. Μερικά παραδείγματα αυτών των χημικών ουσιών είναι ενώσεις που συναντώνται σε φυτοφάρμακα, εντομοκτόνα, λιπάσματα και ζιζανιοκτόνα. Ο κίνδυνος από την έκθεση σας στα παραπάνω ποικίλλει ανάλογα με τη συχνότητα με την οποία εκτελείτε αυτού του είδους εργασίες. Για να μειώσετε την έκθεση σας σε αυτές τις χημικές ουσίες: Να εργάζεστε σε χώρο με καλό εξαερισμό και να εργάζεστε με εγκριμένο εξοπλισμό ασφάλειας, όπως προσωπικά κατά της σκόνης που είναι ειδικά σχεδιασμένα να φιλτράρει μικροσκοπικά σωματίδια.
6. **Όταν χειρίζεστε κάποιο ηλεκτρικό εργαλείο σε εξωτερικούς χώρους, να χρησιμοποιείτε προέκταση ηλεκτρικού καλωδίου (μπαλαντζέα) κατάλληλη για εξωτερική χρήση.** Αν χρησιμοποιείτε ηλεκτρικό καλώδιο κατάλληλο για εξωτερική χρήση, μειώνεται ο κίνδυνος για πρόκληση ηλεκτροπληξίας.
7. **Αν δεν είναι δυνατό να αποφευχθεί η λειτουργία ενός ηλεκτρικού εργαλείου σε μέρος με υγρασία, χρησιμοποιήστε ηλεκτρική παροχή που προστατεύεται από συσκευή παραμένουτος ρεύματος (RCD).** Η χρήση RCD μειώνει τον κίνδυνο ηλεκτροπληξίας.
8. **Πάντα συνιστάται η χρήση ηλεκτρικής παροχής μέσω RCD με ονομαστικό παραμένον ρεύμα 30 mA ή λιγότερο.**
9. Να αποφεύγετε την αθέλητη ενεργοποίηση του εργαλείου. Βεβαιωθείτε ότι ο διακόπτης βρίσκεται στην ανενεργή θέση πριν συνδέετε την ηλεκτρική παροχή, σηκώνετε ή μεταφέρετε το εργαλείο. Αν φέρετε ηλεκτρικά εργαλεία με το δάχτυλό σας στο διακόπτη ή αν ενεργοποιείτε ηλεκτρικά εργαλεία όταν ο διακόπτης είναι στην ενεργή θέση, μπορεί να προκληθούν ατυχήματα.
10. Πριν από τη χρήση, ελέγξτε το ηλεκτρικό καλώδιο και το καλώδιο προέκτασης για σημάδια ζημιάς ή φθοράς.
11. Αν το καλώδιο παρουσιάζει ζημιά κατά τη χρήση, αποσυνδέστε αμέσως το καλώδιο από την ηλεκτρική παροχή. **Μην αγγίζετε το καλώδιο πριν το αποσυνδέσετε από την ηλεκτρική παροχή.**
12. Μη χρησιμοποιήσετε το εργαλείο αν τα καλώδια παρουσιάζουν ζημιά ή φθορά.
13. Να κρατάτε το καλώδιο προέκτασης μακριά από τα κοπτικά στοιχεία.

Ηλεκτρική ασφάλεια

1. **Το φως του ηλεκτρικού εργαλείου πρέπει να ταιριάζει στην πρίζα. Μην τροποποιείτε ποτέ το φως, με οποιονδήποτε τρόπο. Μην χρησιμοποιείτε προσαρμογείς σε γειωμένα ηλεκτρικά εργαλεία.** Τα φως που δεν έχουν τροποποιηθεί και οι πρίζες που ταιριάζουν στα φως μειώνουν τον κίνδυνο πρόκλησης ηλεκτροπληξίας.
2. **Να αποφεύγετε την επαφή του σώματος με γειωμένες επιφάνειες όπως σωλήνες, καλοριφέρ, φούρνους και ψυγεία.** Υπάρχει αυξημένος κίνδυνος για πρόκληση ηλεκτροπληξίας αν το σώμα σας είναι γειωμένο.
3. Μην εκθέτετε το εργαλείο στη βροχή ή σε υγρές συνθήκες. Η είσοδος νερού στο εργαλείο μπορεί να αυξήσει τον κίνδυνο πρόκλησης ηλεκτροπληξίας.
4. **Μην χειρίζεστε λανθασμένα το ηλεκτρικό καλώδιο. Μην χρησιμοποιείτε ποτέ το ηλεκτρικό καλώδιο για να μεταφέρετε ή να τραβήξετε το ηλεκτρικό εργαλείο, αλλά ούτε για να βγάλετε το φως του ηλεκτρικού εργαλείου από την πρίζα. Να διατηρείτε το ηλεκτρικό καλώδιο μακριά από τη θερμότητα, τα λάδια, τα αιχμηρά αντικείμενα και τα κινούμενα μέρη.** Τα ηλεκτρικά καλώδια που έχουν υποστεί βλάβες και τα μπλεγμένα ηλεκτρικά καλώδια αυξάνουν τον κίνδυνο πρόκλησης ηλεκτροπληξίας.
5. Μη χρησιμοποιείτε το εργαλείο αν ο διακόπτης δεν το ενεργοποιεί και δεν το απενεργοποιεί. Κάθε εργαλείο που δεν μπορείτε να ελέγξετε με το διακόπτη λειτουργίας είναι επικίνδυνο και πρέπει να επισκευαστεί.

Θέση σε λειτουργία

1. Πριν τη συναρμολόγηση ή ρύθμιση του εργαλείου, αποσυνδέστε το φως του ηλεκτρικού εργαλείου από την ηλεκτρική πρίζα.
2. Πριν το χειρισμό της λεπίδας κόπτη, να φοράτε προστατευτικά γάντια.
3. Πριν τη σύνδεση, ελέγξτε το εργαλείο για ζημιές, χαλαρές βίδες/παξιμάδια ή λανθασμένη συναρμολόγηση. Ακονίστε τη μη κοφτερή λεπίδα κόπτη. Αν η λεπίδα κόπτη είναι λυγισμένη ή κατεστραμμένη, αντικαταστήστε την. Ελέγξτε όλους τους μοχλούς ελέγχου και διακόπτες για εύκολη ενέργεια. Καθαρίστε και στεγνώστε τις λαβές.
4. Μην επιχειρήσετε ποτέ να ενεργοποιήσετε το εργαλείο αν είναι κατεστραμμένο ή δεν είναι πλήρως συναρμολογημένο. Διαφορετικά, μπορεί να προκύψει σοβαρός τραυματισμός.
5. Να απομακρύνετε τυχόν ρυθμιζόμενο κλειδί ή γαλλικό κλειδί πριν ενεργοποιήσετε το εργαλείο. Ένα κλειδί που έχει μείνει προσκολλημένο σε κάποιο περιστρεφόμενο μέρος του εργαλείου μπορεί να προκαλέσει προσωπικό τραυματισμό.
6. Ρυθμίστε τον ιμάντα ώμου και τη λαβή για να ταιριάζει με το μέγεθος σώματος του χειριστή.
7. Κατά τη σύνδεση, κρατήστε το εξάρτημα κοπής μακριά από το σώμα σας και άλλα αντικείμενα, συμπεριλαμβανομένου του εδάφους. Μπορεί να τραυματιστεί κατά την εκκίνηση και να προκαλέσει τραυματισμό ή ζημιά στο εργαλείο ή/και στην ιδιοκτησία.

Λειτουργία

1. Σε περίπτωση επείγουσας ανάγκης, απενεργοποιήστε αμέσως το εργαλείο.
2. Αν βιώσετε οποιαδήποτε ασυνήθιστη κατάσταση (π.χ. θόρυβος, δόνηση) κατά τη διάρκεια της λειτουργίας, απενεργοποιήστε το εργαλείο. Μη χρησιμοποιήσετε το εργαλείο μέχρι να αναγνωριστεί και να επιλυθεί η αιτία.
3. Προειδοποίηση. Το εξάρτημα κοπής συνεχίζει να περιστρέφεται για σύντομο διάστημα μετά την απενεργοποίηση. Μη βιαστείτε να ακουμπήσετε το εξάρτημα κοπής.
4. Κατά τη διάρκεια της λειτουργίας, να χρησιμοποιείτε τον ιμάντα ώμου. Κρατήστε το εργαλείο σταθερά στη δεξιά πλευρά σας.
5. Μην τεντώνετε υπερβολικά. Να στέκεστε πάντοτε σταθερά και ισοροπημένα. Προσέχετε για κρυμμένα εμπόδια, όπως κούτσουρα, ρίζες και χαντάκια, για να αποφύγετε να σκοντάψετε.
6. Μην εργάζεστε ποτέ σε σκάλα ή δέντρο, για να αποφύγετε την απώλεια ελέγχου.
7. Πριν χρησιμοποιήσετε το μηχάνημα και μετά από οποιαδήποτε δυνατή πρόσκρουση ή πτώση, να ελέγχετε την κατάσταση πριν συνεχίσετε την εργασία. Ελέγξτε αν υπάρχει δυσλειτουργία στις συσκευές ελέγχου και ασφάλειας. Αν υπάρχει ζημιά ή αν έχετε αμφιβολίες, ζητήστε από το εξουσιοδοτημένο κέντρο σέρβις μας να πραγματοποιήσει επιθεώρηση και επισκευή.
8. Μην αγγίζετε τη θήκη γραναζιών. Η θήκη γραναζιών ζεσταίνεται κατά τη διάρκεια της λειτουργίας.
9. Κάντε ένα διάλειμμα για να ξεκουραστείτε για να αποφύγετε την απώλεια ελέγχου που προκαλείται από την κόπωση. Συνιστούμε να κάνετε ένα διάλειμμα για ξεκούραση διάρκειας 10 έως 20 λεπτών κάθε ώρα.
10. Όταν αφήσετε το εργαλείο, ακόμη κι αν είναι για σύντομο χρόνο, να βγάξετε πάντα το φως του ηλεκτρικού καλωδίου από την πρίζα της κεντρικής ηλεκτρικής παροχής. Αν το εργαλείο δεν επιτηρείται και είναι συνδεδεμένο στην κεντρική ηλεκτρική παροχή μπορεί να χρησιμοποιηθεί από μη εξουσιοδοτημένο άτομο και να προκληθεί σοβαρό ατύχημα.
11. Αν πιαστείτε γκαζόν ή κλαδιά μεταξύ του εξαρτήματος κοπής και του προφυλακτήρα, να απενεργοποιείτε πάντα το εργαλείο και να αποσυνδέσετε το φως του ηλεκτρικού καλωδίου από την πρίζα της κεντρικής ηλεκτρικής παροχής πριν από τον καθαρισμό. Διαφορετικά, το εξάρτημα κοπής μπορεί να περιστραφεί κατά λάθος και να προκληθεί σοβαρός τραυματισμός.
12. Αν το εξάρτημα κοπής χτυπήσει πέτρες ή άλλα σκληρά αντικείμενα, απενεργοποιήστε αμέσως το εργαλείο. Μετά, βγάλτε το φως του ηλεκτρικού καλωδίου από την πρίζα της κεντρικής ηλεκτρικής παροχής και ελέγξτε το εξάρτημα κοπής.
13. Να ελέγχετε συχνά το εξάρτημα κοπής για ρωγμές ή ζημιές κατά τη διάρκεια της λειτουργίας. Πριν το έλεγχο, βγάλτε το φως του ηλεκτρικού καλωδίου από την πρίζα της κεντρικής ηλεκτρικής παροχής και περιμένετε μέχρι να σταματήσει εντελώς το εξάρτημα κοπής. Αντικαταστήστε αμέσως ένα κατεστραμμένο εξάρτημα κοπής, ακόμη κι αν έχει μόνο επιφανειακές ρωγμές.
14. Ποτέ μην κόβετε επάνω από το ύψος της μέσης σας.

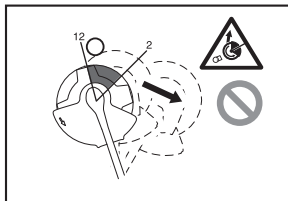
15. Πριν ξεκινήσετε τη λειτουργία κοπής, περιμένετε μέχρι το εξάρτημα κοπής να φτάσει μια σταθερή ταχύτητα αφού ενεργοποιήσετε το εργαλείο.
16. Όταν χρησιμοποιείτε μεταλλικές λεπίδες, αιωρήστε το εργαλείο ομοιόμορφα σε ημικύκλιο από τα δεξιά προς τα αριστερά, σαν να χρησιμοποιείτε δρεπάνι.
17. Κρατάτε το εργαλείο από τις μονωμένες επιφάνειες λαβής επειδή η λεπίδα κόπτη μπορεί να κάνει επαφή με το κρυμμένο καλώδιο. Οι λεπίδες κόπτη που έρχονται σε επαφή με ένα ηλεκτροφόρο καλώδιο μπορεί να κάνουν τα εκτεθειμένα μεταλλικά μέρη του εργαλείου ηλεκτροφόρα και να προκαλέσουν ηλεκτροπληξία στο χειριστή.
18. Να βεβαιώνετε πάντα ότι οι οπές εξαερισμού είναι καθαρές.

Εξαρτήματα κοπής

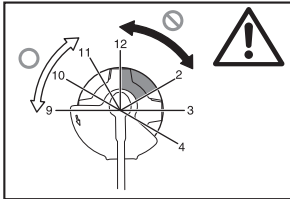
1. Χρησιμοποιήστε ένα κατάλληλο εξάρτημα κοπής για τη συγκεκριμένη εργασία.
 - Οι κεφαλές κοπής με νάιλον (κεφαλές κουρευτικού με πετονιά) είναι κατάλληλες για το κούρεμα γκαζόν.
 - Οι μεταλλικές λεπίδες είναι κατάλληλες για το κόψιμο ζιζανίων, υψηλού χορταριού, θάμνων, χαμηλής βλάστησης, θαμνώνων και άλλων παρόμοιων.
 - Μην χρησιμοποιείτε άλλες λεπίδες συμπεριλαμβάνοντας μεταλλικές αλυσίδες περιστροφής με πολλά κομμάτια και καμπυλωτά μαχαίρια. Μπορεί να έχει ως αποτέλεσμα σοβαρό τραυματισμό.
2. Να χρησιμοποιείτε πάντα το προφυλακτήρα εξαρτήματος κοπής που είναι κατάλληλο για το εξάρτημα κοπής που χρησιμοποιείται.
3. Μην προσαρμόζετε ποτέ μεταλλικά στοιχεία κοπής με μοντέλα κοπής με νάιλον.
4. Όταν χρησιμοποιείτε μεταλλικές λεπίδες, αποφύγετε το «κλότσημα» και να είστε πάντα προετοιμασμένοι για κάποιο τυχαίο κλότσημα. Δείτε την ενότητα με τίτλο «Κλότσημα».

Κλότσημα (ώθηση λεπίδας)

1. Το κλότσημα (ώθηση λεπίδας) είναι μια ξαφνική αντίδραση όταν η λεπίδα κόπτη είναι πιασμένη ή δεσμευμένη. Μόλις συμβεί, το εργαλείο πετάγεται προς το πλάι ή προς το χειριστή με μεγάλη δύναμη και μπορεί να προκληθεί σοβαρός τραυματισμός.
2. Το κλότσημα συμβαίνει ιδιαίτερα όταν εφαρμόζεται το τμήμα λεπίδας μεταξύ των θέσεων 12 και 2 η ώρα σε στερεά, θάμνους και δέντρα με διάμετρο 3 εκατοστά ή μεγαλύτερη.



3. Για να αποφύγετε το κλότσημα:
 - Εφαρμόστε το τμήμα μεταξύ των θέσεων 8 και 11 η ώρα.
 - Μην εφαρμόσετε ποτέ το τμήμα μεταξύ των θέσεων 12 και 2 η ώρα.
 - Μην εφαρμόσετε ποτέ το τμήμα μεταξύ των θέσεων 11 και 12 η ώρα και μεταξύ των θέσεων 2 και 5 η ώρα, εκτός αν ο χειριστής είναι καλά εκπαιδευμένος και πεπειραμένος και το πραγματοποιεί με δική του ευθύνη.
 - Μην χρησιμοποιείτε ποτέ λεπίδες κόπτη κοντά σε στερέα, όπως φράκτες, τοίχους, κορμούς δέντρων και πέτρες.
 - Μην χρησιμοποιείτε ποτέ λεπίδες κόπτη κάθεται, για εργασίες όπως μπορντούρες και φράκτες από θάμνους.



Κραδασμοί

1. Όταν άτομα με κακή κυκλοφορία αίματος εκτίθενται σε υπερβολικούς κραδασμούς, μπορεί να προκληθεί τραυματισμός στα αιμοφόρα αγγεία ή στο νευρικό σύστημα. Οι κραδασμοί ενδέχεται να προκαλέσουν τα ακόλουθα συμπτώματα στα δάκτυλα, τα χέρια και τους καρπούς: «Κόμμισμα» (μούδιασμα), μυρμήγκιασμα, πόνο, σουβλιές, αλλαγή χρώματος ή υψής του δέρματος. Αν προκύψει οποιοδήποτε από αυτά τα συμπτώματα, επισκεφτείτε γιατρό!
2. Για να μειώσετε τον κίνδυνο του «συνδρόμου λευκού δακτύλου», να διατηρείτε τα χέρια σας ζεστά κατά τη λειτουργία και να συντηρείτε σωστά το εργαλείο και τα εξαρτήματά.

Μεταφορά

1. Πριν τη μεταφορά του εργαλείου, απενεργοποιήστε το και βγάλτε το φως του ηλεκτρικού καλωδίου από την πρίζα της κεντρικής ηλεκτρικής παροχής. Προσαρτήστε το κάλυμμα στη λεπίδα κόπτη.
2. Όταν μεταφέρετε το εργαλείο, να το φέρετε σε οριζόντια θέση κρατώντας τον άξονα.
3. Όταν μεταφέρετε το εργαλείο σε όχημα, ασφαλίστε το σωστά για να αποφευχθεί η ανατροπή. Διαφορετικά, μπορεί να προκληθεί ζημιά στο εργαλείο και σε άλλες αποσκευές.

Συντήρηση

1. Φροντίστε για το σέρβις του εργαλείου σας από εξουσιοδοτημένο κέντρο σέρβις, χρησιμοποιώντας πάντα μόνο γνήσια ανταλλακτικά εξαρτήματα. Η λανθασμένη επισκευή και η κακή συντήρηση μπορεί να μειώσουν τη διάρκεια ζωής του εργαλείου και να αυξήσουν τον κίνδυνο ατυχημάτων.
2. Πριν την εκτέλεση οποιασδήποτε εργασίας συντήρησης και επισκευής ή τον καθαρισμό του εργαλείου, να το απενεργοποιείτε και να βγάξετε το φως του ηλεκτρικού καλωδίου από την πρίζα της κεντρικής ηλεκτρικής παροχής.
3. Να φοράτε πάντα προστατευτικά γάντια κατά το χειρισμό της λεπίδας κόπτη.

4. Να καθαρίζετε πάντα τη σκόνη και τη βρομιά από το εργαλείο. Μην χρησιμοποιείτε ποτέ βενζίνη, πετρελαϊκό αιθέρα, διαλυτικό, αλκοόλη ή παρόμοιες ουσίες για το συγκεκριμένο σκοπό. Μπορεί να προκληθεί αποχρωματισμός ή ράγισμα των πλαστικών εξαρτημάτων.
5. Μετά από κάθε χρήση, σφίξτε όλες τις βίδες και παξιμάδια.
6. Μην επιχειρήσετε οποιαδήποτε εργασία συντήρησης ή επισκευής που δεν περιγράφεται στο εγχειρίδιο οδηγιών. Ζητήστε από ένα εξουσιοδοτημένο κέντρο σέρβις μας για μια τέτοια εργασία.
7. Να χρησιμοποιείτε πάντα τα γνήσια ανταλλακτικά και αξεσουάρ μας μόνο. Η χρήση εξαρτημάτων ή αξεσουάρ που παρέχονται από άλλον κατασκευαστή μπορεί να έχουν ως αποτέλεσμα το σπάσιμο του εργαλείου, την πρόκληση ζημιάς σε ιδιοκτησία ή/και σοβαρό τραυματισμό.
8. Ζητήστε από εξουσιοδοτημένο κέντρο σέρβις να επιθεωρήσει και να συντηρήσει το εργαλείο σε τακτά χρονικά διαστήματα.

Φύλαξη

1. Πριν τη φύλαξη του εργαλείου, εκτελέστε πλήρη καθαρισμό και συντήρηση. Βγάλτε το φως του ηλεκτρικού καλωδίου από την πρίζα της κεντρικής ηλεκτρικής παροχής. Προσαρτήστε το κάλυμμα στη λεπίδα κόπτη.
2. Φυλάξτε το εργαλείο σε ένα ψηλό ή κλειδωμένο μέρος χωρίς υγρασία, μακριά από παιδιά.
3. Μην ακουμπάτε το εργαλείο επάνω σε κάτι, όπως σε έναν τοίχο. Διαφορετικά, μπορεί να πέσει ξαφνικά και να προκληθεί τραυματισμός.

Πρώτες βοήθειες

1. Να έχετε πάντοτε κοντά ένα κουτί πρώτων βοηθειών. Αντικαταστήστε αμέσως οποιαδήποτε αντικείμενα που αφαιρέσατε από το κιτ πρώτων βοηθειών.
2. Όταν ζητάτε βοήθεια, δώστε τις ακόλουθες πληροφορίες:
 - Τόπος ατυχήματος
 - Τι συνέβη
 - Αριθμός τραυματισμένων ατόμων
 - Φύση του τραυματισμού
 - Το όνομά σας

ΦΥΛΑΞΤΕ ΑΥΤΕΣ ΤΙΣ ΟΔΗΓΙΕΣ.

⚠️ ΠΡΟΕΙΔΟΠΟΙΗΣΗ:

ΜΗΝ επιτρέψετε στην άνεση ή στην εξοικειωσή σας με το προϊόν (που αποκτήθηκε από επανειλημμένη χρήση) να αντικαταστήσει την αυστηρή τήρηση των κανόνων ασφαλείας του παρόντος εργαλείου. Η ΛΑΝΘΑΣΜΕΝΗ ΧΡΗΣΗ ή η αμέλεια να ακολουθήσετε τους κανόνες ασφαλείας που διατυπώνονται στο παρόν εγχειρίδιο οδηγιών μπορεί να προκαλέσει σοβαρό προσωπικό τραυματισμό.

ΠΕΡΙΓΡΑΦΗ ΕΞΑΡΤΗΜΑΤΩΝ (Εικ. 1)

ΠΕΡΙΓΡΑΦΗ ΛΕΙΤΟΥΡΓΙΑΣ

⚠️ ΠΡΟΕΙΔΟΠΟΙΗΣΗ:

- Πάντοτε να βεβαιώνετε ότι το εργαλείο είναι σβηστό και αποσυνδεδεμένο από το ηλεκτρικό ρεύμα πριν ρυθμίζετε ή ελέγχετε τις λειτουργίες του εργαλείου. Αν δεν σβήσετε το εργαλείο και δεν το αποσυνδέσετε από το ηλεκτρικό ρεύμα, μπορεί να προκληθεί σοβαρός προσωπικός τραυματισμός από την τυχαία εκκίνηση.

Ενέργεια διακόπτη λειτουργίας (Εικ. 2)

⚠️ ΠΡΟΕΙΔΟΠΟΙΗΣΗ:

- Πριν από τη σύνδεση στην παροχή τροφοδοσίας, να ελέγχετε πάντα ότι ο διακόπτης-σκανδάλη ενεργοποιεί το εργαλείο κανονικά κι επιστρέφει στη θέση «OFF» (Ανενεργό) όταν ελευθερώνεται. Μην τραβάτε το διακόπτη-σκανδάλη με βία χωρίς να σύρετε το μοχλό ασφάλισης. Αυτό μπορεί να προκαλέσει το σπάσιμο του διακόπτη. Η λειτουργία ενός εργαλείου με ένα διακόπτη που δεν ενεργοποιείται σωστά μπορεί να οδηγήσει σε απώλεια ελέγχου και σοβαρό προσωπικό τραυματισμό.

Για να μην πιέζεται ο διακόπτης-σκανδάλη κατά λάθος, παρέχεται ένας μοχλός ασφάλισης.

Για να ξεκινήσετε τη λειτουργία του εργαλείου, σύρετε το μοχλό ασφάλισης προς τα μπροστά και τραβήξτε το διακόπτη-σκανδάλη. Για διακοπή της λειτουργίας, αφήστε το διακόπτη-σκανδάλη.

Κεφαλή κοπής με νάιλον (Εικ. 3)

ΕΙΔΟΠΟΙΗΣΗ:

- Μην επιχειρήσετε τη χειροκίνητη τροφοδοσία της πετονιάς με κτύπημα της κεφαλής ενώ το εργαλείο λειτουργεί σε υψηλές ΣΑΛ. Η χειροκίνητη τροφοδοσία της πετονιάς με κτύπημα της κεφαλής σε υψηλές ΣΑΛ μπορεί να προκαλέσει ζημιά στην κεφαλή κοπής με νάιλον.
- Η χειροκίνητη τροφοδοσία της πετονιάς με κτύπημα της κεφαλής δεν θα λειτουργήσει σωστά αν η κεφαλή δεν περιστρέφεται.

ΣΗΜΕΙΩΣΗ:

- Τα στάνταρ αξεσουάρ διαφέρουν ανάλογα με το μοντέλο και τη χώρα.

Η κεφαλή κοπής με νάιλον είναι μια διπλή κεφαλή κουρευτικού γκαζόν που παρέχεται με μηχανισμό χειροκίνητης τροφοδοσίας της πετονιάς με κτύπημα της κεφαλής.

Για την έξοδο της πετονιάς από νάιλον, κτυπήστε την κεφαλή κοπής επάνω στο έδαφος ενώ περιστρέφεται η κεφαλή κοπής.

ΣΗΜΕΙΩΣΗ:

- Αν η πετονιά από νάιλον δεν εξέρχεται ενώ κτυπάτε την κεφαλή, επανατυλίξτε/αντικαταστήστε την πετονιά από νάιλον ακολουθώντας τις διαδικασίες που περιγράφονται στην παράγραφο «Συντήρηση».

Υποδοχέας καλωδίου (Εικ. 4)

Φτιάξτε ένα μικρό βρόχο με το ηλεκτρικό καλώδιο και κρεμάστε το στον υποδοχέα καλωδίου.

ΣΥΝΑΡΜΟΛΟΓΗΣΗ

⚠️ ΠΡΟΕΙΔΟΠΟΙΗΣΗ:

- Να βεβαιώνετε πάντοτε ότι το εργαλείο είναι σβηστό και αποσυνδεδεμένο από το ηλεκτρικό ρεύμα πριν εκτελέσετε οποιαδήποτε εργασία στο εργαλείο. Αν δεν σβήσετε το εργαλείο και δεν το αποσυνδέσετε από το ηλεκτρικό ρεύμα, μπορεί να προκληθεί σοβαρός προσωπικός τραυματισμός από την τυχαία εκκίνηση.
- Μην βάζετε ποτέ μπροστά το εργαλείο αν δεν είναι πλήρως συναρμολογημένο. Η λειτουργία του εργαλείου σε μερικώς συναρμολογημένη κατάσταση μπορεί να έχει ως αποτέλεσμα σοβαρό προσωπικό τραυματισμό από τυχαία έναρξη.

Τοποθέτηση της λαβής (Εικ. 5)

⚠️ ΠΡΟΕΙΔΟΠΟΙΗΣΗ:

- Μην αφαιρείτε και μην συρρικνώνετε τον αποστάτη ή την απόσβεση. Ο αποστάτης κρατάει κάποια απόσταση μεταξύ των χεριών. Η ρύθμιση της διάταξης λαβής/φραγμού κοντά στην άλλη λαβή πέρα από το μήκος του αποστάτη μπορεί να προκαλέσει την απώλεια του ελέγχου και σοβαρό προσωπικό τραυματισμό.

Προσαρμόστε τη λαβή και το φραγμό επάνω στο ελαστικό τμήμα του σωλήνα άξονα. Προσαρμόστε την τοποθεσία της λαβής και μετά σφίξτε τα με τα τέσσερα μπουλόνια.

Εγκεκριμένος συνδυασμός κοπτικού εργαλείου και προστατευτικού

⚠️ ΠΡΟΕΙΔΟΠΟΙΗΣΗ:

- Να χρησιμοποιείτε πάντοτε το εργαλείο με τον εγκεκριμένο συνδυασμό του εξοπλισμού ασφάλειας. Διαφορετικά, η επαφή με το κοπτικό εργαλείο μπορεί να προκαλέσει σοβαρό τραυματισμό.
- Μην χρησιμοποιείτε ποτέ το εργαλείο χωρίς ο προφυλακτήρας να βρίσκεται στη θέση που απεικονίζεται. Αν δεν το κάνετε αυτό, μπορεί να προκληθεί σοβαρός προσωπικός τραυματισμός.

ΣΗΜΕΙΩΣΗ:

- Τα στάνταρ αξεσουάρ διαφέρουν ανάλογα με το μοντέλο και τη χώρα.

Για τη λεπίδα κόπτη (Εικ. 6)

Για κεφαλή κοπής με νάιλον (Εικ. 7)

Τοποθέτηση του προστατευτικού για τη λεπίδα κόπτη (Εικ. 8)

1. Ευθυγραμμίστε τις οπές στο εσωτερικό προστατευτικό με τις οπές στη θήκη γραναζιών.
2. Μετά, σφίξτε με τρία μπουλόνια.

Τοποθέτηση του προστατευτικού για κεφαλή με νάιλον

⚠️ ΠΡΟΣΟΧΗ:

- Προσέχετε να μην αυτοτραυματιστείτε με τον κόπτη για την κοπή της πετονιάς από νάιλον.
- Μην ξεχάσετε να αφαιρέσετε το προστατευτικό κόπτη πριν από τη χρήση.

1. Ευθυγραμμίστε τα τέσσερα μπουλόνια στο εξωτερικό προστατευτικό κατά μήκος των οπών στο εσωτερικό προστατευτικό. (Εικ. 9)
2. Σφίξτε με τα τέσσερα μπουλόνια.
3. Ευθυγραμμίστε τις οπές στο εσωτερικό προστατευτικό με τις οπές στη θήκη γραναζιών.
4. Σφίξτε με μπουλόνια. (Εικ. 10)

Τοποθέτηση της λεπίδας κόπτη

⚠️ ΠΡΟΕΙΔΟΠΟΙΗΣΗ:

- Η εξωτερική διάμετρος της λεπίδας κόπτη πρέπει να είναι **230 χιλ.** Μην χρησιμοποιείτε ποτέ καμία λεπίδα που ξεπερνάει τα 230 χιλ στην εξωτερική διάμετρο.

⚠️ ΠΡΟΣΟΧΗ:

- Η λεπίδα κόπτη πρέπει να είναι καλά γυαλισμένη, χωρίς ραγίσματα ή σπασίματα. Γυαλίστε ή αντικαταστήστε τη λεπίδα κόπτη κάθε τρεις ώρες λειτουργίας.
- Να φοράτε πάντα γάντια κατά το χειρισμό της λεπίδας κόπτη.
- Να προσαρτάτε πάντα το κάλυμμα λεπίδας όταν το εργαλείο δεν χρησιμοποιείται ή όταν μεταφέρεται.
- Το παξιμάδι στερέωσης της λεπίδας κόπτη φθείρεται με το πέρασμα του χρόνου. Αν εμφανίζεται φθορά ή παραμόρφωση, αντικαταστήστε το παξιμάδι. Απευθυνθείτε στο τοπικό εξουσιοδοτημένο κέντρο σέρβις για να το παραγγείλετε.

ΕΙΔΟΠΟΙΗΣΗ:

- Βεβαιωθείτε να χρησιμοποιήσετε γνήσια λεπίδα κόπτη.

Αναποδογυρίστε το εργαλείο για να μπορείτε να αντικαταστήσετε τη λεπίδα κόπτη με ευκολία. **(Εικ. 11)**

1. Προσαρμόστε τη ροδέλα λήψης στον άξονα.
2. Γυρίστε τη ροδέλα λήψης μέχρι η εγκοπή στη ροδέλα λήψης έρθει σε επαφή με την εγκοπή στη θήκη γραναζιών.
3. Εισαγάγετε τη στρογγυλή ράβδο μέσα από τις δύο εγκοπές ώστε να μην είναι δυνατό να γυρίζει η ροδέλα λήψης.
4. Τοποθετήστε τη λεπίδα στη ροδέλα λήψης.
5. Τοποθετήστε τη ροδέλα σφικτήρα στη λεπίδα.
6. Τοποθετήστε την κούπα στη λεπίδα.
7. Σφίξτε τα με το παξιμάδι περιστρέφοντάς το αριστερόστροφα ενώ κρατάτε τη στρογγυλή ράβδο.

Για να αφαιρέσετε τη λεπίδα, εκτελέστε τα παραπάνω βήματα με αντίστροφη σειρά.

Τοποθέτηση της κεφαλής κοπής με νάιλον **(Εικ. 12)**

ΕΙΔΟΠΟΙΗΣΗ:

- Βεβαιωθείτε να χρησιμοποιήσετε γνήσια κεφαλή κοπής με νάιλον.

Αναποδογυρίστε το εργαλείο για να μπορείτε να αντικαταστήσετε την κεφαλή κοπής με νάιλον με ευκολία.

ΣΗΜΕΙΩΣΗ:

- Αφαιρέστε το κάλυμμα στον κόπτη πετονιάς πριν από τη χρήση.

1. Προσαρμόστε τη ροδέλα λήψης στον άξονα.
2. Γυρίστε τη ροδέλα λήψης μέχρι η εγκοπή στη ροδέλα λήψης έρθει σε επαφή με την εγκοπή στη θήκη γραναζιών.
3. Εισαγάγετε τη στρογγυλή ράβδο μέσα από τις δύο εγκοπές ώστε να μην είναι δυνατό να γυρίζει η ροδέλα λήψης.
4. Προσαρμόστε την κεφαλή κοπής με νάιλον περιστρέφοντάς την αριστερόστροφα.
5. Αφαιρέστε τη στρογγυλή ράβδο αφού τοποθετήσετε την κεφαλή κοπής με νάιλον.

Για να αφαιρέσετε την κεφαλή από νάιλον, εκτελέστε τα παραπάνω βήματα με αντίστροφη σειρά.

ΛΕΙΤΟΥΡΓΙΑ

Σωστός χειρισμός του εργαλείου **(Εικ. 13)**

Σωστή στάση

⚠️ ΠΡΟΕΙΔΟΠΟΙΗΣΗ:

- Να τοποθετείτε πάντα το εργαλείο στη δεξιά πλευρά σας ώστε ο φραγμός να βρίσκεται πάντα μπροστά από το σώμα σας. Η σωστή τοποθέτηση του εργαλείου επιτρέπει το μέγιστο έλεγχο και θα μειώσει τον κίνδυνο σοβαρού προσωπικού τραυματισμού που προκαλείται από κλότσημα.

⚠️ ΠΡΟΣΟΧΗ:

- Αν κατά τη διάρκεια της λειτουργίας, το κοπτικό εργαλείο χτυπήσει κατά λάθος μια πέτρα ή σκληρό αντικείμενο, διακόψτε τη λειτουργία του εργαλείου και ελέγξτε για τυχόν ζημιά. Αν το κοπτικό εργαλείο έχει υποστεί ζημιά, αντικαταστήστε το αμέσως. Η χρήση ενός κατεστραμμένου κοπτικού εργαλείου μπορεί να έχει ως αποτέλεσμα σοβαρό προσωπικό τραυματισμό.

Τοποθετήστε τον ιμάντα ώμου στον αριστερό ώμο σας βάζοντας το κεφάλι και το δεξί χέρι σας μέσα από αυτό, και κρατήστε το εργαλείο στη δεξιά πλευρά ενώ κρατάτε πάντα το φραγμό μπροστά από το σώμα σας.

Προσάρτηση του ιμάντα ώμου **(Εικ. 14)**

Ρυθμίστε το μήκος ιμάντα με τρόπο ώστε το κοπτικό εργαλείο να διατηρείτε παράλληλα με το έδαφος. Συνδέστε τον κρικο και τον ιμάντα.

⚠️ ΠΡΟΕΙΔΟΠΟΙΗΣΗ:

- Προσέχετε εξαιρετικά για να διατηρείτε τον έλεγχο του εργαλείου πάντα. Μην αφήνετε το εργαλείο να κτραπεί προς το μέρος σας ή προς οποιονδήποτε άλλον στην περιοχή εργασίας. Αν δεν διατηρείτε τον έλεγχο του εργαλείου, μπορεί να προκύψει σοβαρός τραυματισμός σε παρευρισκόμενους και στο χειριστή.

Ρύθμιση της θέσης κρίκου και ιμάντα ώμου **(Εικ. 15)**

Ρυθμίστε τη θέση κρίκου όπως απεικονίζεται. **(Εικ. 16)**

Για να αλλάξετε τη θέση κρίκου, χαλαρώστε το μπουλόνι στον κρικο. Μετά, μετακινήστε τον κρικο.

Αφού ρυθμίσετε τη θέση του κρίκου, σφίξτε με ασφάλεια το μπουλόνι με το κλειδί.

ΣΥΝΤΗΡΗΣΗ

⚠️ ΠΡΟΕΙΔΟΠΟΙΗΣΗ:

- Να βεβαιώνετε πάντοτε ότι το εργαλείο είναι σβηστό και αποσυνδεδεμένο από το ηλεκτρικό ρεύμα πριν εκτελέσετε οποιαδήποτε εργασία ελέγχου ή συντήρησης στο εργαλείο. Αν δεν σβήσετε το εργαλείο και δεν το αποσυνδέσετε από το ηλεκτρικό ρεύμα, μπορεί να προκληθεί σοβαρός προσωπικός τραυματισμός από την τυχαία εκκίνηση.

ΕΙΔΟΠΟΙΗΣΗ:

- Μην χρησιμοποιείτε ποτέ βενζίνη, πετρελαϊκό αιθέρα, διαλυτικό, αλκοόλη ή παρόμοιες ουσίες. Μπορεί να προκληθεί αποχρωματισμός, παραμόρφωση ή ρωγμές.

Αντικατάσταση της πετονιάς από νάιλον (Εικ. 17)

⚠️ ΠΡΟΕΙΔΟΠΟΙΗΣΗ:

• Βεβαιωθείτε ότι η κεφαλή κοπής με νάιλον είναι ασφαλισμένη σωστά στο εργαλείο πριν τη λειτουργία. Αν δεν ασφαλίσετε σωστά την κεφαλή κοπής με νάιλον μπορεί να προκληθεί η εκτόξευσή της, έχοντας ως αποτέλεσμα σοβαρό προσωπικό τραυματισμό.

1. Αφαιρέστε την κεφαλή κοπής με νάιλον.
2. Βγάλτε το κάλυμμα, πιέζοντας δύο μάνδαλα που έχουν αντίθετες εγκοπές στο πλαίσι της κούπας.
3. Αφαιρέστε το καρούλι. Και αφαιρέστε την παλιά πετονιά από νάιλον από το καρούλι.
4. Κόψτε την πετονιά από νάιλον στα 3 – 6 m. Διπλώστε την πετονιά κοπής σε δύο τμήματα, και αφήστε το ένα τμήμα μακρύτερο κατά 80 – 100 χιλ από το άλλο. (Εικ. 18)
5. Γαντζώστε τη μέση της καινούριας πετονιάς από νάιλον στην εγκοπή που βρίσκεται στο κέντρο του καρουλιού μεταξύ των δύο καναλιών που παρέχονται για την πετονιά από νάιλον. (Εικ. 19)

6. Τυλίξτε και τα δύο άκρα σταθερά κατά μήκος των καναλιών, στην κατεύθυνση που υποδεικνύεται από την ένδειξη βέλους στο καρούλι. (Εικ. 20)
7. Περάστε τις πετονιές από νάιλον μέσα από τις οπές για να βγουν από την κούπα.
8. Ευθυγραμμίστε την προεξοχή στο κάτω μέρος του καλύμματος με τις εσοχές στις οπές. Μετά, ωθήστε το κάλυμμα σταθερά επάνω στην κούπα για να το ασφαλίσετε. Βεβαιωθείτε ότι τα μάνδαλα απλώνονται πλήρως στο κάλυμμα.

Για τη διατήρηση της ΑΣΦΑΛΕΙΑΣ και ΑΞΙΟΠΙΣΤΙΑΣ του προϊόντος, επισκευές, οποιαδήποτε άλλη συντήρηση ή ρύθμιση πρέπει να εκτελούνται από τα Εξουσιοδοτημένα Κέντρα Εξυπηρέτησης της Makita, χρησιμοποιώντας πάντοτε ανταλλακτικά της Makita.

ΔΙΑΣΤΗΜΑ ΣΥΝΤΗΡΗΣΗΣ

Εξαρτήματα:	Μεσοδιάστημα:	Τρόπος:
Ηλεκτρικό καλώδιο	Κάθε φορά πριν τη χρήση	Επιθεωρήστε οπτικά αν είναι πολύ φθαρμένο ή έχει ζημιά. Αν έχει ζημιά, απευθυνθείτε στο τοπικό κέντρο σέρβις για επισκευή.
Βίδα βοηθητικής λαβής	Κάθε φορά πριν τη χρήση	Ελέγξτε αν η βίδα είναι χαλαρή. Σφίξτε τη βίδα αν είναι χαλαρή. Αντικαταστήστε τη βίδα αν έχει υποστεί ζημιά.
Προφυλακτήρας κοπτικού εργαλείου (προστατευτικό)	Κάθε φορά πριν τη χρήση	Ελέγξτε αν η βίδα είναι χαλαρή, αν το προστατευτικό έχει ζημιά. Σφίξτε τη βίδα αν είναι χαλαρή. Αντικαταστήστε το προστατευτικό αν έχει υποστεί ζημιά.
Λεπίδα κόπτη	Κάθε 10 ώρες	Λιπάνετε με αντιδιαβρωτικό λάδι μετά από κάθε χρήση. Ελέγξτε αν έχει ζημιά. Αντικαταστήστε την αν έχει υποστεί ζημιά.
Κεφαλή κοπής με νάιλον	Κάθε 10 ώρες	Επιθεωρήστε οπτικά αν είναι πολύ φθαρμένο ή έχει ζημιά. Αντικαταστήστε την αν έχει υποστεί ζημιά.
Άξονας ταχυτήτων	Κάθε 10 ώρες	Λιπάνετε με αντιδιαβρωτικό λάδι.

ΑΝΤΙΜΕΤΩΠΙΣΗ ΠΡΟΒΛΗΜΑΤΩΝ

Πριν ζητήσετε επισκευές, εκτελέστε αρχικά τη δική σας επιθεώρηση. Αν εντοπίσετε πρόβλημα που δεν επεξηγείται στο εγχειρίδιο, μην επιχειρήσετε να αποσυναρμολογήσετε το εργαλείο. Αντ' αυτού, ζητήστε βοήθεια από εξουσιοδοτημένα κέντρα εξυπηρέτησης της Makita και πάντοτε να χρησιμοποιείτε γνήσια ανταλλακτικά της Makita.

Κατάσταση δυσλειτουργίας	Αιτία	Ενέργεια
Το μοτέρ δεν λειτουργεί.	Το φως του ηλεκτρικού καλωδίου δεν είναι συνδεδεμένο στην πρίζα της κεντρικής ηλεκτρικής παροχής.	Συνδέστε το φως σε πρίζα κεντρικής ηλεκτρικής παροχής.
	Σπασμένο ηλεκτρικό καλώδιο.	Απευθυνθείτε στο τοπικό εξουσιοδοτημένο κέντρο σέρβις για επισκευή.
	Το σύστημα μετάδοσης κίνησης δεν λειτουργεί σωστά.	
Το μοτέρ σταματά να λειτουργεί μετά από μικρή χρήση.	Υπερθέρμανση.	Σταματήστε να χρησιμοποιείτε το εργαλείο για να το αφήσετε να κρυώσει.
Δεν φτάνει τις μέγιστες ΣΑΛ.	Το σύστημα μετάδοσης κίνησης δεν λειτουργεί σωστά.	Απευθυνθείτε στο τοπικό εξουσιοδοτημένο κέντρο σέρβις για επισκευή.
Το κοπτικό εργαλείο δεν περιστρέφεται: Σταματήστε αμέσως το μηχάνημα!	Έχει φράξει ένα ξένο αντικείμενο, όπως ένα κλαδί, μεταξύ του προφυλακτήρα και του κοπτικού εργαλείου.	Αφαιρέστε το ξένο αντικείμενο.
	Το παξιμάδι στερέωσης λεπίδας κόπτη είναι χαλαρό.	Σφίξτε το παξιμάδι σωστά όπως περιγράφεται σε αυτό το εγχειρίδιο.
	Η λεπίδα κόπτη είναι λυγισμένη.	Αντικαταστήστε τη λεπίδα κόπτη.
	Το σύστημα μετάδοσης κίνησης δεν λειτουργεί σωστά.	Απευθυνθείτε στο τοπικό εξουσιοδοτημένο κέντρο σέρβις για επισκευή.
Ασυνήθιστοι κραδασμοί: Σταματήστε αμέσως το μηχάνημα!	Το ένα άκρο της πετονιαίας από νάιλον έχει σπάσει.	Κτυπήστε την κεφαλή κοπής με νάιλον επάνω στο έδαφος ενώ περιστρέφεται η κεφαλή κοπής για να προκαλέσετε την τροφοδοσία της πετονιαίας.
	Η λεπίδα κόπτη είναι λυγισμένη, ραγισμένη ή φθαρμένη.	Αντικαταστήστε τη λεπίδα κόπτη.
	Το παξιμάδι στερέωσης λεπίδας κόπτη είναι χαλαρό.	Σφίξτε το παξιμάδι σωστά όπως περιγράφεται σε αυτό το εγχειρίδιο.
	Η λεπίδα κόπτη είναι στερεωμένη λανθασμένα.	
	Το σύστημα μετάδοσης κίνησης δεν λειτουργεί σωστά.	Απευθυνθείτε στο τοπικό εξουσιοδοτημένο κέντρο σέρβις για επισκευή.
Το κοπτικό εργαλείο και το μοτέρ δεν σταματούν: Αποσυνδέστε αμέσως το φως του ηλεκτρικού καλωδίου από την πρίζα της κεντρικής ηλεκτρικής παροχής!	Ηλεκτρική ή ηλεκτρονική δυσλειτουργία.	Αποσυνδέστε το φως του ηλεκτρικού καλωδίου από την πρίζα κεντρικής ηλεκτρικής παροχής και απευθυνθείτε στο τοπικό εξουσιοδοτημένο κέντρο σέρβις για επισκευή.

ΠΡΟΑΙΡΕΤΙΚΑ ΕΞΑΡΤΗΜΑΤΑ

ΠΡΟΣΟΧΗ:

- Αυτά τα εξαρτήματα ή προσαρτήματα συνιστώνται για χρήση με το εργαλείο της Makita που καθορίζεται στο εγχειρίδιο αυτό. Η χρήση οποιωνδήποτε άλλων παρελκομένων ή προσαρτημάτων μπορεί να δημιουργήσει κίνδυνο τραυματισμού ατόμων. Το παρελκόμενο ή προσάρτημα να χρησιμοποιείται μόνο για την προοριζόμενη χρήση του.

Αν χρειάζεστε βοήθεια για περισσότερες πληροφορίες που αφορούν τα παρελκόμενα αυτά, απευθυνθείτε στο τοπικό σας κέντρο σέρβις της Makita.

- Λεπίδα κόπτη
- Κεφαλή κοπής με νάιλον
- Πετονιά από νάιλον (γραμμή κοπής)
- Ιμάντας ώμου

ΣΗΜΕΙΩΣΗ:

- Μερικά στοιχεία στη λίστα μπορεί να συμπεριλαμβάνονται στη συσκευασία εργαλείου ως στάνταρ εξαρτήματα. Μπορεί να διαφέρουν ανάλογα με τη χώρα.

TÜRKÇE (Orijinal kullanma kılavuzunun çevirisi)

Genel görünüşün açıklaması

1 Kablo tutucu	10 Kesim aleti	20 Bıçak
2 Güç kaynağı kordonu (şekli ülkeden ülkeye farklı olabilir)	11 Omuz kayışı	21 Kenetleyici rondela
3 Arka tutamak	12 Yastık	22 Kap parçası
4 Güvenlik kilidi kolu	13 En etkili kesim bölgesi	23 Somun
5 Anahtar tetik	14 Tutamak	24 Plastik kesim başlığı
6 Ön tutamak	15 Kauçuk parça	25 Kordon kesici
7 Askı (asma yeri)	16 İç koruyucu	26 Kapak
8 Bariyer	17 Dış koruyucu	27 Askı
9 Kesim aleti siperi (koruyucu)	18 Kavrayıcı rondela	28 80 – 100 mm
	19 Yuvarlak çubuk	29 Makara

TEKNİK ÖZELLİKLER

Model	UR2300	UR3502
Tutamak tipi	Çember tutamak	
Toplam uzunluk	1.630 mm	
Sürekli güç girişi	1.000 W	
Yüksüz hız	5.700 dak ⁻¹	5.700 dak ⁻¹
Kesim aleti	Kesim bıçağı	Plastik kesim başlığı
Kesim genişliği	230 mm	350 mm
Net ağırlık	4,7 kg	4,9 kg
Emniyet sınıfı	II/II	

- Sürekli yapılan araştırma ve geliştirmelerden dolayı, burada belirtilen özellikler önceden bildirilmeksizin değiştirilebilir.
- Özellikler ülkeden ülkeye değişebilir.
- EPTA Prosedürü 01/2003 uyarınca ağırlık

Gürültü	Ses basınç düzeyi ortalaması		Ses güç seviyesi ortalaması		Geçerli standart
Kesim aleti	L _{PA} (dB(A))	Belirsizlik K (dB(A))	L _{WA} (dB(A))	Belirsizlik K (dB(A))	
Kesim bıçağı	80,8	2,5	93,45	1,23	EN 60335-1, EN 50636-2-91, EN ISO 11806
Plastik kesim başlığı	85,3	2,5	93,84	1,58	

- Kulak koruyucuları takın.

Titreşim	Ön kulp		Arka kulp		Geçerli standart
	a _h (m/s ²)	Belirsizlik K (m/s ²)	a _h (m/s ²)	Belirsizlik K (m/s ²)	
Kesim aleti					EN 60335-1, EN 50636-2-91, EN ISO 11806
Kesim bıçağı	2,856	1,5	2,712	1,5	
Plastik kesim başlığı	2,768	1,5	2,694	1,5	

- Beyan edilen titreşim emisyon değeri standart test yöntemine uygun şekilde ölçülmüştür ve bir aleti bir başkasıyla karşılaştırmak için kullanılabilir.
- Beyan edilen titreşim emisyon değeri bir ön maruz kalma değerlendirmesi olarak da kullanılabilir.
- Gerçek kullanım koşullarındaki maruz kalmanın bir tahmini hesaplaması temelinde operatörü koruyacak güvenlik önlemlerini mutlaka belirleyin (çalışma döngüsü içerisinde aletin kapalı olduğu ve aktif durumda olmasının yanı sıra boşta çalıştığı zamanlar gibi, bütün zaman dilimleri göz önünde bulundurularak değerlendirilmelidir).

⚠ UYARI:

- Bu elektrikli aletin gerçek kullanımındaki titreşim emisyonu aletin kullanım biçimlerine bağlı olarak beyan edilen emisyon değerinden farklı olabilir.

Semboller

Aşağıdakiler cihazınız için kullanılan sembolleri göstermektedir. Kullanmadan önce manalarını anladığınızdan emin olunuz.



- Çok özenli ve dikkatli kullanın.



- El kitabını okuyun.



- Tehlike; sıçrayan nesnelere karşı dikkatli olun.



- Alet ile etrafındaki kişiler arasında en az 15 m mesafe olmalıdır.



- Etrafınızdaki kişileri aletten uzak tutun.



- Kask, koruyucu gözlük ve kulak koruyucu takın.



- Koruyucu eldiven giyin.



- Altı kaymayan sağlam ayakkabılar giyin. Çelik burunlu ayakkabılar önerilir.



- Neme maruz bırakmayın.



- Elektrik kablosu hasar görmüş veya dolaşmışsa hemen fişten çekin.



- Geri tepmeyi önleyin.



- En az 15 m uzakta durun.



- ÇİFT YALITIMLI



- Sadece AB ülkeleri için Elektrik donanımını evsel atıklarla birlikte bertaraf etmeyiniz! Atık Elektrikli ve Elektronik Donanımlar, bataryalar ve Akümülatörler ve Atık bataryalar ve Akümülatörler konusundaki Avrupa Direktifleri ve bunların ulusal yasalara uygulanmaları uyarınca, kullanım ömürleri biten elektrikli donanımların, bataryaların ve batarya takım(lar)ının ayrı toplanmaları ve çevreye uyumlu bir geri kazanım tesisine getirilmeleri gereklidir.

AT UYGUNLUK BEYANI

Sadece Avrupa ülkeleri için

AT uygunluk beyanı bu kullanım kılavuzuna Ek A olarak eklenmiştir.

Elektrikli Aletlere İlişkin Genel Güvenlik Uyarıları

⚠ UYARI Tüm güvenlik uyarılarını ve talimatları okuyun. Uyarılara ve talimatlara uyulmaması elektrik çarpmasına, yangına ve/veya ciddi yaralanmalara yol açabilir.

Daha sonra başvurmak üzere tüm uyarıları ve talimatları saklayın.

Aşağıda sıralanan uyarılarda kullanılan "elektrikli alet" terimi, prizden çalışan (kordonlu) elektrikli aletiniz ya da kendi aküsü ile çalışan (kordonsuz) elektrikli aletiniz anlamındadır.

Çalışma alanı güvenliği

1. **Çalışma alanını temiz tutun ve uygun şekilde aydınlatın.** Karışık ve karanlık çalışma alanları, kazalara davetiye çıkarır.
2. **Elektrikli aletleri çabuk tutuşan sıvıların, gazların ya da tozların bulunduğu patlayıcı ortamlarda çalıştırmayın.** Elektrikli aletler tozları ya da gazları tutuşturabilecek kıvılcımlar çıkarır.
3. **Elektrikli alet kullanırken çocukları ve seyredenleri uzak tutun.** Dikkatinizin başka tarafa çekilmesi kontrolü kaybetmenize neden olabilir.

Elektrik güvenliği

4. **Elektrikli aletlerin fişleri prize uygun olmalıdır.** Fişlerde herhangi bir şekilde değişiklik yapmayın. **Topraklı elektrikli aletlerle fiş adaptörleri kullanmayın.** Üstünde değişiklik yapılmamış fişler ve bunlara uygun prizler elektrik çarpması riskini azaltır.
5. **Topraklı borular, radyatörler, ocaklar ve buzdolapları gibi yüzeylere vücut temasından kaçının.** Vücudunuz toprak hattıyla temas ettiğinde elektrik çarpması riski artar.
6. **Elektrikli aletleri yağmura ve ıslak koşullara maruz bırakmayın.** Bir elektrikli aletin içine su girmesi elektrik çarpması riskini artırır.
7. **Kordonu kötü kullanmayın.** Elektrikli aleti taşımak, çekmek ya da fişten çekmek için asla kordonunu kullanmayın. Kordonu ısıdan, yağdan, keskin kenarlardan ya da hareketli parçalardan uzak tutun. Hasar görmüş ya da dolaşmış kordonlar elektrik şoku riskini artırır.
8. **Elektrikli aletleri açık havada kullanırken, açık havada kullanılmaya uygun bir uzatma kablosu kullanın.** Açık havada kullanılmaya uygun bir uzatma kablosunu kullanmak elektrik çarpması riskini azaltır.
9. **Elektrikli aletin mutlaka nemli bir ortamda çalıştırılması gerekiyorsa, mutlaka artık akım cihazı (RCD) ile korunan bir güç kaynağı kullanın.** RCD kullanımı, elektrik şoku riskini azaltır.
10. **Her zaman anma artık akımı 30 mA veya daha düşük olan bir RCD ile korunan bir güç kaynağının kullanılması önerilir.**

Kişisel güvenlik

11. **Bir elektrikli aleti kullanırken tetikte olun, ne yaptığınıza dikkat edin ve sağduyunuzu kullanın.** Yorgunken, uyuşturucu maddelerin, alkolün ya da ilaçların etkisi altındayken bir elektrikli alet kullanmayın. Elektrikli aletleri kullanırken bir anlık dikkatsizlik ciddi yaralanmalara yol açabilir.
12. **Uygun kişisel koruyucu ekipmanlar kullanın. Mutlaka koruyucu gözlük takın.** Uygun şekilde kullanılan toz maskeleri, altı kaymayan koruyucu ayakkabılar, baretler ve koruyucu kulaklıklar gibi koruyucu ekipmanlar yaralanmaları önler.

13. **Alet istem dışı çalışmasına izin vermeyin. Aleti güç kaynağına bağlamadan ve/veya aküsünü takmadan, kaldırmadan veya taşımadan önce açma/kapatma düğmesinin kapalı konumda olduğundan emin olun.** Elektrikli aletleri parmağınız açma/kapatma düğmesi üzerinden taşımanız veya fişe takmanız kazalara davetiye çıkarır.
14. **Elektrikli aleti çalıştırmadan önce üstünde ayar anahtarları varsa çıkarın.** Elektrikli aletin hareketli bir parçasına takılı kalan bir anahtar yaralanmalara yol açabilir.
15. **Fazla ileriye uzanmaya çalışmayın. Her zaman yere sağlam basın ve dengeyi koruyun.** Bu beklenmedik durumlarda elektrikli aleti daha iyi kontrol etmenizi sağlar.
16. **İşe uygun giyinin. Bol giysiler ya da sallanan takılar kullanmayın. Saçlarınızı, giysilerinizi ve eldivenlerinizi hareketli parçalardan uzak tutun. Bol giysiler, takılar ya da uzun saçlar hareketli parçalara kapılabilir.**
17. **Toz çekme ve toplama imkanlarının bağlanması için araçlar sağlanmışsa, bunların bağlanıp gerektiği şekilde kullanılmasını sağlayın.** Bir toz toplayıcının kullanılması, toza bağlı tehlikeleri önler.

Elektrikli aletlerin kullanımı ve bakımı

18. **Elektrikli aleti zorlamayın. Uygulamanız için doğru olan elektrikli aleti kullanın.** Doğru elektrikli alet, işin amaçlanan hızda daha iyi ve daha güvenli yapılmasını sağlar.
19. **Açma/kapatma şalteri çalışmayan elektrikli aleti kullanmayın.** Açma/kapatma şalteri ile kontrol edilemeyen bir elektrikli alet tehlikelidir ve onarılmalıdır.
20. **Herhangi bir ayarlama yapmadan, aksesuar değiştirmeden ya da elektrikli aletleri kaldırmadan önce fişlerini prizden çekin ve/veya bataryalarını çıkarın.** Bu önleyici güvenlik önlemleri elektrikli aletin yanlışlıkla çalışması riskini azaltır.
21. **Kullanılmayan elektrikli aletleri çocukların ulaşamayacağı yerlerde saklayın ve elektrikli aleti tanımayan ya da bu talimatları bilmeyen kişilerin elektrikli aleti kullanımına izin vermeyin.** Elektrikli aletlerin eğitimsiz kişiler tarafından kullanılması tehlikelidir.
22. **Elektrikli aletlerin bakımını uygun şekilde yapın.** Hareketli parçalardaki ayar bozukluklarını, tutuklukları, kırık parçaları ve elektrikli aletlerin işleyişlerini etkileyebilecek diğer tüm koşulları kontrol edin. Hasarlı bir elektrikli aleti kullanmadan önce tamir ettirin. Birçok kazaya bakımı iyi yapılmamış elektrikli aletler neden olur.
23. **Uçları temiz ve keskin tutun.** Kesici kenarları keskin ve bakımı iyi yapılmış bıçaklar daha az takılma yapar ve daha kolay kontrol edilir.
24. **Elektrikli aleti, aksesuarlarını, uçlarını vs. yapılacak işi ve çalışma koşullarını göz önünde bulundurarak bu talimatlara uygun olarak kullanın.** Elektrikli aletin kullanım amacı dışında kullanılması tehlikeli durumlara yol açabilir.

Servis

25. **Elektrikli aletinizin bakım ve onarımını yetkili servis elemanlarına yaptırın ve yalnızca orijinal parçaların kullanılmasına dikkat edin.** Böylece elektrikli aletin güvenli kalmasını sağlamış olursunuz.
26. **Yağlamaya ve aksesuar değiştirmeye ilişkin talimatlara uyun.**

27. Aletin saplarını daima kuru ve temiz tutun, saplara yağ veya gres bulaşmasını önleyin.

ÖNEMLİ GÜVENLİK TALİMATLARI

⚠ UYARI! Tüm güvenlik uyarılarını ve tüm talimatları okuyun. Uyarılara ve talimatlara uyulmaması elektrik şoku, yangın ve/veya ciddi yaralanmalar ile sonuçlanabilir.

Tüm uyarıları ve talimatları ileride başvurmak için saklayın.

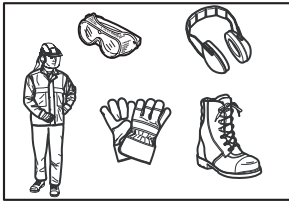
Kullanım amacı

1. Çim biçme makinesi/ çalı kesme makinesi/ misinalı biçme makinesi sadece çim, ot, çalı ve çalılıkları kesmek içindir. Örneğin çit kesmek gibi başka hiçbir amaçla kullanılmamalıdır, aksi takdirde yaralanmalara neden olabilir.

Genel Talimatlar

1. Kullanma talimatlarına aşına olmayan, fiziksel, duyuşsal ya da zihinsel yetenekleri kısıtlı olan veya deneyim ya da bilgileri olmayan kişilerin (ve çocukların) makineyi kullanmasına asla izin vermemeyin. Çocuklar aletle oynamadıklarından emin olmak için gözlemlenmelidir.
2. Aleti başlatmadan önce, aletin kullanımına aşına olmak için bu kullanım kılavuzunu okuyun.
3. Çalı kesme makineleri ve misinalı biçme makinelerinin kullanımı hakkında yeterli deneyim veya bilgisi olmayan kişilere aleti ödünç vermemeyin.
4. Aleti ödünç verirken, daima bu kullanım kılavuzunu da yanında verin.
5. Aleti azami özen ve dikkatle kullanın.
6. Alkol veya uyuşturucu aldıktan sonra ya da yorgun veya hasta hissettiğinizde bu makineyi asla kullanmayın.
7. Alet üzerinde deęişiklik yapmaya kalkışmayın.
8. Plastik ipi kesmek için kullanılan araçlardan kaynaklanabilecek yaralanmalara karşı dikkatli olun. Yeni kesim ipini uzattıktan sonra, makineyi açık konuma getirmeden önce daima normal çalıştırma pozisyonuna geri döndürün.
9. Çalı kesme makineleri ve misinalı biçme makinelerinin kullanımıyla ilgili kendi ülkenizdeki düzenlemeleri takip edin.

Kişisel koruyucu ekipman



1. Uçuşan toz birikintileri ve düşen nesnelere kendinizi korumak için güvenli kaskı, koruyucu gözlük ve koruyucu eldiven giyin.
2. İşitme kaybını önlemek için kulak tıkacı gibi bir kulak koruyucu takın.
3. Güvenli çalışmak için uygun giysiler ve ayakkabılar giyin; örneğin iş tulumu ve kaymayan sağlam ayakkabılar. Bol giysiler giymeyin ve takı takmayın. Bol giysiler, takılar ya da uzun saçlar hareketli parçalara takılabilir.

4. Kesim bıçağına dokunurken koruyucu eldiven giyin. Kesim bıçakları çıplak ellerde ciddi kesikler oluşturabilir.

Çalışma alanı güvenliği

1. Makineyi sadece aydınlık bir ortamda ve gün ışığında kullanın. Makineyi karanlıkta ya da sisli havada kullanmayın.
2. Aleti çabuk tutuşan sıvıların, gazların ya da tozların bulunduğu yerler gibi patlayıcı ortamlarda çalıştırmayın. Makine tozları ya da dumanları tutuşturabilecek kıvılcımlar çıkarır.
3. Kullanım sırasında, asla sabit olmayan ya da kaygan bir yüzeyde veya dik meyilli bir yerde durmayın. Soğuk mevsimlerde, buz ve kara karşı dikkatli olun ve her zaman yere sağlam bastığınızdan emin olun.
4. Kullanım sırasında, etrafınızdaki kişileri ya da hayvanları aletin en az 15 m uzağında tutun. Biri yaklaştığı anda aleti durdurun.
5. Kullanım öncesinde, çalışma alanında taş ya da başka katı nesnelere olup olmadığına bakın. Bu nesnelere etrafa savrularak ya da geri teperek ciddi yaralanmalara ve/veya mal hasarına neden olabilir.
6. **⚠ UYARI!** Bu ürünün kullanımı, toz içeren ve solunum rahatsızlığı ya da başka hastalıklara yol açabilecek kimyasallar yaratabilir. Bu kimyasalların bazı örnekleri, böcek ilaçlarında, suni gübrelerde ve bitki öldürücülerde bulunan bileşimlerdir. Bu kimyasallara maruz kalmanızdan dolayı oluşacak risk, bu tip işleri ne sıklıkla yaptığınıza göre deęişir. Bu kimyasallara maruziyetinizi azaltmak için: iyi havalandırılmış bir alanda ve mikroskobik parçacıkları filtrelemek için tasarlanmış toz maskeleri gibi onaylanmış güvenlik ekipmanları ile çalışın.

Elektrik güvenliği

1. **Elektrikli aletlerin fişleri prize uygun olmalıdır. Fişlerde herhangi bir şekilde deęişiklik yapmayın. Topraklı elektrikli aletlerle fiş adaptörleri kullanmayın.** Üstünde deęişiklik yapılmamış fişler ve bunlara uygun prizler elektrik şoku riskini düşürür.
2. **Topraklama yapılan borular, radyatörler, kuzineler ve buzdolapları gibi yüzeylere vücut temasından kaçının.** Vücutunuz toprak hattıyla temas ederse elektrik şoku riski artar.
3. Makineyi yağmura ve ıslak koşullara maruz bırakmayın. Makinenin içine su girmesi elektrik çarpması riskini arttıracaktır.
4. **Kabloyu farklı bir amaçla kullanmayın. Elektrikli aleti taşımak, sürüklemek ya da fişten çekmek için asla kabloyu kullanmayın. Kabloyu ısıdan, yağdan, keskin kenarlardan ya da hareketli parçalardan uzak tutun.** Hasar görmüş ya da dolaşık kablolar elektrik şoku riskini artırır.
5. Anahtar makineyi açıp kapatmıyorsa makineyi kullanmayın. Anahtarla kontrol edilemeyen bir alet tehlikelidir ve onarılmalıdır.
6. **Elektrikli aletleri açık havada kullanırken, açık havada kullanılmaya uygun bir uzatma kablosu kullanın.** Açık havada kullanılmaya uygun bir uzatma kablosu kullanımı elektrik şoku riskini düşürür.
7. **Eğer elektrikli bir aleti nemli bir yerde kullanmanız kaçınılmazsa, kaçak akım rölesi ile korunan bir güç kaynağı kullanın.** Kaçak akım rölesi kullanımı elektrik şoku riskini azaltır.
8. **30 mA veya daha düşük bir kaçak akım ölçülen yerlerde güç kaynağının bir kaçak akım rölesi ile kullanılması önerilir.**

9. Aletin istem dışı çalışmasını önleyin. Aleti güç kaynağına bağlamadan, elinize almadan veya taşımadan önce anahtarın kapalı konumunda olduğundan emin olun. Elektrikli aletleri parmağınız anahtarın üzerinden taşıma ya da anahtar açık konumundayken onlara güç verme kazalara davetiyeye çıkarır.
10. Kullanımdan önce, ikmal ve uzatma kablolarında hasar veya yıpranma gösteren bir iz olup olmadığını kontrol edin.
11. Kablo kullanım sırasında hasar görürse, kabloyu derhal prizden çekin. **Prizden çekmeden önce kabloya dokunmayın.**
12. Kablolar hasarlı ya da aşınmışsa aleti kullanmayın.
13. Uzatma kablosunu kesim ekipmanlarından uzak tutun.
8. Dişli kutusuna dokunmayın. Kullanım sırasında dişli kutusu ısınır.
9. Yorgunluk nedeniyle kontrol kaybı oluşmasını önlemek için dinlenin. Her saat için 10 ila 20 dakikalık bir mola vermenizi öneririz.
10. Aleti, kısa bir süreliğine de olsa, yalnız bıraktığınızda daima fişi prizden çekin. Fişi prize takılı halde gözetimsiz bırakılan alet, yetkisiz biri tarafından kullanılabilir ve ciddi kazalara neden olabilir.
11. Kesim parçası ve siper arasına çim veya dal parçası sıkışırsa, temizlemeden önce daima aleti kapatın ve fişi prizden çekin. Aksi takdirde kesim parçası kazara dönebilir ve ciddi yaralanmalara neden olabilir.
12. Kesim parçası taş veya başka sert nesnelere çarparsa, aleti hemen kapatın. Ardından fişi prizden çekin ve kesim parçasını inceleyin.
13. Kullanım sırasında, kesim parçasında çatlak ya da hasar olup olmadığını sık sık kontrol edin. İnceleme yapmadan önce, fişi prizden çekin ve kesim parçasının tamamen durmasını bekleyin. Üzerinde sadece birkaç yüzeysel çatlak da olsa, hasar görmüş kesim parçasını hemen değiştirin.
14. Asla bel yüksekliğinin üzerinde kesim yapmayın.
15. Kesme işlemine başlamadan önce, aleti açık konuma getirip kesim parçasının sabit bir hıza ulaşmasını bekleyin.
16. Metal bıçakları kullanırken, aleti, tırpan kullanır gibi, sakın bir şekilde sağdan sola bir yarım daire çizerek döndürün.
17. Kesim bıçağı gizli kordona temas edebileceği için, aleti sadece yalıtımlı kavrama yüzeylerinden tutun. Kesim bıçaklarının "akımlı" bir telle temas etmesi elektrikli aletin yalıtımsız metal kısımlarını "akımlı" hale getirebilir ve kullanıcıyı elektrik şokuna maruz bırakabilir.
18. Havalandırma deliklerinin toz birikintilerine karşı temiz tutulduğundan daima emin olun.

İşleme başlama

1. Aleti monte etmeden ya da ayarlamadan önce, fişi güç kaynağından çekin.
2. Kesim bıçağını tutmadan önce, koruyucu eldiven giyin.
3. Fişi takmadan önce, alette hasar, gevşemiş vida/ somun veya hatalı montaj olup olmadığını kontrol edin. Körelmiş kesim bıçağını keskinleştirin. Kesim bıçağı bükülmüş ya da hasar görmüşse yenisiyle değiştirin. Rahat çalışmak için tüm kontrol kollarını ve anahtarları kontrol edin. Tutamakları temizleyin ve kurulayın.
4. Alet hasar görmüş veya parçalar tamamen birleştirilmemişse, aleti asla açmaya kalkışmayın. Aksi takdirde ciddi yaralanmalar meydana gelebilir.
5. Aleti açmadan önce üstünde ayar anahtarları ya da İngiliz anahtarları varsa bunları çıkarın. Aletin dönen parçasına takılı bırakılmış bir anahtar kişisel yaralanmalara neden olabilir.
6. Omuz kayışı ve kulpu, kullanıcının vücut ölçüsüne uyacak şekilde ayarlayın.
7. Fişi takarken, kesim parçasını vücudunuzdan ve zemin de dahil olmak üzere, diğer nesnelere uzak tutun. Çalışmaya başladığında dönebilir ve yaralanmalara ya da alete ve/veya eşyalara zarar verebilir.

İşleyiş

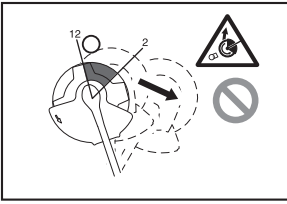
1. Acil bir durumda, aleti derhal kapatın.
2. İşlem sırasında herhangi bir olağan dışı koşul sezerseniz (örneğin gürültü, titreşim) aleti kapatın. Durumun nedeni anlaşılıp çözülene kadar aleti kullanmayın.
3. Uyarı. Alet kapatıldıktan sonra, kesim parçası kısa bir süreliğine dönmeye devam eder. Kesim parçasına dokunmak için acele etmeyin.
4. İşlem sırasında, omuz kayışını kullanın. Aleti sağ tarafınızda sıkı bir şekilde tutun.
5. Fazla ileriye uzanmaya çalışmayın. Her zaman yere sağlam basın ve denginizi koruyun. Tökezlememek için, ağaç kütükleri, kökleri ve çukur alanlar gibi gizli engellere dikkat edin.
6. Kontrolü kaybetmemek için, asla bir merdiven ya da ağacın üzerinde çalışmayın.
7. Makineyi kullanmadan önce ve makine herhangi bir ağır darbe aldığı anda ya da düştüğünde, işe devam etmeden önce makinenin durumunu kontrol edin. Kontrolleri ve güvenlik aletlerini arızaya karşı kontrol edin. Herhangi bir hasar ya da şüpheli bir durum varsa, inceleme ve tamir için yetkili servis merkezimize başvurun.

Kesim parçaları

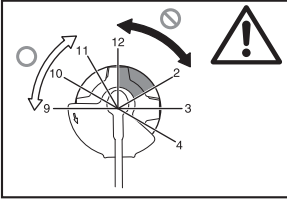
1. Elinizdeki işe uygun bir kesim parçası kullanın.
 - Plastik kesim başlıkları (misinalı biçme başlıkları) bahçe çimi biçmek için uygundur.
 - Metal bıçaklar ot, uzun çim, çalı, ağaççık ve benzerlerini kesmek için uygundur.
 - Çok parçalı döner zincirler ve sap parçalayıcı da dahil olmak üzere, başka bıçakları asla kullanmayın. Başka bıçakların kullanımı ciddi yaralanmaya sebep olabilir.
2. Daima kullanılan kesim parçası için uygun olan kesim parçası siperini kullanın.
3. Asla plastik kesim modelleriyle metal kesim ekipmanlarını kullanmayın.
4. Metal bıçaklar kullanırken, "geri tepme" durumundan kaçının ve kazara geri tepmeye daima hazırlıklı olun. Bkz. "Geri tepme" bölümü.

Geri tepme (Bıçak tepkisi)

1. Geri tepme (bıçak tepkisi), kesim bıçağının sıkışması veya takılması sonucu oluşan ani bir reaksiyondur. Bu durum meydana geldiğinde, alet yan taraflara ya da kullanıcısına doğru büyük bir kuvvetle savrulur ve ciddi yaralanmaya neden olabilir.
2. Geri tepme özellikle, saat 12 ve 2 arasında bıçak dilimini çapı 3 cm veya daha geniş olan sert cisimler, çalılar ve ağaçlara uygularken meydana gelir.



3. Geri tepmeyi önlemek için:
 - Saat 8 ve 11 arasındaki dilimi dilimi uygulayın.
 - Asla saat 12 ve 2 arasındaki dilimi uygulamayın.
 - Kullanıcı iyice eğitilmiş, deneyimli ve riski kabullenmiş olmadığı sürece, saat 11 ile 12 arasındaki ve saat 2 ile 5 arasındaki dilimi asla uygulamayın.
 - Kesim bıçaklarını asla tel örgüler, duvarlar, ağaç gövdesi ve taşlar gibi sert cisimlerin yakınında kullanmayın.
 - Kesim aletini asla kenar düzeltme ya da çit kesme gibi işlemler için dikey olarak kullanmayın.



Titreşim

1. Dolaşım sistemi zayıf olan kişiler aşırı titreşime maruz kaldıklarında kan damarları veya sinir sisteminde sorun oluşabilir. Titreşim parmaklar, eller ve bileklerde aşağıdaki semptomların ortaya çıkmasına neden olabilir: Karıncalanma (uyuşma), iğnelenme, ağrı, batma hissi, cilt renginde veya yapısında değişiklik. Bu semptomlardan biri ortaya çıkarsa, bir doktora görününüz!
2. "Beyaz parmak hastalığı" riskini azaltmak için, çalışma sırasında ellerinizi sıcak tutun ve ekipman ve aksesuarların bakımını iyi yapın.

Taşıma

1. Taşımadan önce, aleti kapatın ve fişi prizden çekin. Kesim bıçağının kapağını kapatın.
2. Aleti taşırken, mili tutarak yatay konumda taşıyın.
3. Aleti bir aracın içinde taşırken, ters dönmelerini engellemek için uygun bir şekilde sabitleyin. Aksi takdirde alet ve diğer yolcu eşyaları zarar görebilir.

Bakım

1. Makinenizin bakımını yetkili servis merkezimizde yaptırın ve daima orijinal yedek parçalar kullanın. Hatalı onarım ya da yetersiz bakım makinenin ömrünü kısaltabilir ve kaza riskini artırabilir.
2. Herhangi bir bakım veya onarım işlemi yapmadan ya da aleti temizlemeden önce, daima aleti kapatın ve fişi prizden çekin.
3. Kesim bıçağıyla uğraşırken daima koruyucu eldiven kullanın.
4. Aleti daima toz ve kire karşı temiz tutun. Bu iş için asla benzin, tiner, alkol ve benzeri maddeleri kullanmayın. Plastik parçalarda renk değişimi, deformasyon veya çatlaklar oluşabilir.

5. Her kullanımdan sonra, tüm vidaları ve somunları sıkın.
6. Bu kullanım kılavuzunda açıklananlar dışında bir bakım veya onarım işlemi yapmayı denemeyin. Bu tür işlemler için yetkili servis merkezimize başvurun.
7. Sadece orijinal yedek parça ve aksesuarlarımızı kullanın. Üçüncü taraflarca sağlanan parça ve aksesuarların kullanımı aletin arızalanması, eşyaların hasar görmesi ve/veya ciddi yaralanmaya neden olabilir.
8. Yetkili servis merkezimizden düzenli aralıklarla aleti kontrol etmesini ve aletin bakımını yapmasını isteyin.

Saklama

1. Aleti yerine kaldırmadan önce, tam bir temizlik ve bakım yapın. Fişi çekin. Kesim bıçağının kapağını kapatın.
2. Aleti, kuru, çocukların ulaşamayacağı, yüksek ya da kilitle bir yerde saklayın.
3. Aleti herhangi bir yere, örneğin duvara, dayamayın. Aksi takdirde aniden düşebilir ve yaralanmaya neden olabilir.

İlk yardım

1. Daima yakın bir yerde ilk yardım seti bulundurun. İlk yardım setinden alınan her öğenin yerine hemen yenisini koyun.
2. Yardım isterken aşağıdaki bilgileri verin:
 - Kaza yeri
 - Meydana gelen olay
 - Yaralanan insan sayısı
 - Kazanın türü
 - İsminiz

BU TALİMATLARI MUHAFAZA EDİNİZ.

⚠ UYARI:

Ürünü kullanırken (defalarca kullanınca kazanılan) rahatlık ve aşinalık duygusunun ilgili ürünün güvenlik kurallarına sıkı sıkıya bağlı kalmanın yerine geçmesine İZİN VERMEYİN. YANLIŞ KULLANIM veya bu kullanma kılavuzunda belirtilen emniyet kurallarına uymamak ciddi kişisel yaralanmalara neden olabilir.

PARÇALARIN TANIMI (Şek. 1)

İŞLEVSEL NİTELİKLER

⚠ UYARI:

• Alet üzerinde ayarlamaya ya da işlevi kontrolü yapmadan önce aletin kapalı ve fişinin çekili olduğundan daima emin olun. Aletin kapatılmaması ve fişten çekilmemesi, aletin istemsiz olarak başlatılması sonucu ciddi kişisel yaralanmalara neden olabilir.

Güç anahtarının kullanımı (Şek. 2)

⚠ UYARI:

• Makineyi fişe takmadan önce, anahtar tetiğinin düzgün çalıştığından ve bırakıldığında "OFF" (KAPALI) konumuna döndüğünden emin olun. Güvenlik kilidi kolunu kaydırmadan anahtar tetiği zorlayarak çekmeyin. Bu, anahtarın kırılmasına neden olabilir. Anahtarı düzgün bir şekilde çalışmayan bir aletle işlem yapmak kontrolün kaybedilmesine ve ciddi kişisel yaralanmalara neden olabilir.

Anahtar tetiğin kaza sonucu çekilmesini önlemek için, bir güvenlik kilidi kolu sunulmuştur.

Aleti başlatmak için, güvenlik kilidi kolunu kaydırın ve anahtar tetiği çekin. Durdurmak için anahtar tetiği bırakın.

Plastik kesim başlığı (Şek. 3)

ÖNEMLİ NOT:

- Alet yüksek devirde çalışırken kesim başlığını yere vurarak beslemeye çalışmayın. Yüksek devirde yere vurarak beslemek plastik kesim başlığının hasar görmesine neden olabilir.
- Başlık dönmüyorsa, yere vurarak besleme işlevi düzgün çalışmayacaktır.

NOT:

- Standart aksesuar, ülke ve modele göre değişir.

Plastik kesim başlığı, yere vurarak beslenme mekanizmasına sahip ikili bir çim biçme başlığıdır. Plastik kordonu dışa doğru uzatmak için, kesim başlığı dönmekteyken başlığı yere vurun.

NOT:

- Eğer plastik kordon, kesim başlığını yere vururken dışa doğru uzamıyorsa, "Bakım" başlığı altında anlatılan prosedürleri izleyerek plastik kordonu tekrar sarın ya da yenisiyle değiştirin.

Kablo tutucu (Şek. 4)

Güç kablosunu, küçük bir çember oluşturarak kablo tutucuya asın.

MONTAJ

⚠ UYARI:

- **Alet üzerinde herhangi bir iş yapmadan önce aletin kapalı ve fişinin çekili olduğundan daima emin olun.** Aletin kapatılmaması ve fişten çekilmemesi, aletin istemsiz olarak başlatılması sonucu ciddi kişisel yaralanmalara neden olabilir.
- **Tüm parçalar birleştirilmeden asla aleti başlatmayın.** Parçalar kısmen birleştirilmiş haldeyken aletle çalışmak, aletin istemsiz olarak başlatılması sonucu ciddi kişisel yaralanmalara neden olabilir.

Tutamak parçasının takılması (Şek. 5)

⚠ UYARI:

- Ara parçasını veya yastığı çıkarmayın ya da sıkıştırmayın. Ara parçası iki el arasında belli bir mesafe olmasını sağlar. Kulp/bariyer montajını ara parçasından sonraki diğer kulpa yakın yapmak, kontrol kaybına ve ciddi yaralanmaya neden olabilir.

Tutamak ve bariyeri mil borusu üzerindeki kauçuk parçaya yerleştirin. Tutamak konumunu ayarlayın ve daha sonra dört civata ile sıkıştırın.

Kesim aleti ve koruyucunun onaylanan birleşimi

⚠ UYARI:

- **Aleti daima güvenlik ekipmanlarının onaylanan birleşimiyle kullanın.** Aksi takdirde kesim aletiyle temas ciddi yaralanmalara sebep olabilir.
- **Koruyucu gösterilen yerde olmadan asla aleti kullanmayın.** Aleti koruyucu olmadan kullanmak ciddi kişisel yaralanmalara sebep olabilir.

NOT:

- Standart aksesuar, ülke ve modele göre değişir.

Kesim bıçağı için (Şek. 6)

Plastik kesim başlığı için (Şek. 7)

Kesim bıçağı için koruyucuyu takma (Şek. 8)

1. İç koruyucu üzerindeki delikleri ve dışı kutusundaki delikleri aynı hizaya getirin.
2. Ardından üç civatayla sıkıştırın.

Plastik başlık için koruyucuyu takma

⚠ DİKKAT:

- Plastik kordonu kesmek için kullanılan kesici ile kendinizi yaralamamaya dikkat edin.
- Kullanmadan önce kesim aleti koruyucusunu çıkarmayı unutmayın.

1. Dış koruyucu üzerindeki dört civatayı iç koruyucu üzerindeki deliklerle aynı hizaya getirin. (Şek. 9)
2. Dört civatayla sıkıştırın.
3. İç koruyucu üzerindeki delikleri ve dışı kutusundaki delikleri aynı hizaya getirin.
4. Civatalarla sıkıştırın. (Şek. 10)

Kesim bıçağını takma

⚠ UYARI:

- **Kesim bıçağının dış çapı 230 mm olmalıdır.** Asla dış çapı 230 mm uzunluğunu aşan bir bıçak kullanmayın.

⚠ DİKKAT:

- Kesim bıçağı iyi parlatılmalı ve çatlak ya da kırık olmamalıdır. Her üç saatlik kullanımdan sonra kesim bıçağını parlatın ya da değiştirin.
- Kesim bıçağıyla uğraşırken daima koruyucu eldiven kullanın.
- Alet kullanımda değilken ya da taşınırken, daima bıçak kapağını kapatın.
- Kesim bıçağı sabitleyici somun zamanla aşınır. Eğer üzerinde herhangi bir aşınma ya da deformasyon izi belirlirse, somunu değiştirin. Yerel yetkili servis merkezinizden onu temin etmesini isteyin.

ÖNEMLİ NOT:

- Mutlaka orijinal kesim bıçağı kullanın.

Kesim bıçağını kolay bir şekilde değiştirebilmek için aleti baş aşağı çevirin. (Şek. 11)

1. Kavrayıcı rondelayı dingile yerleştirin.
2. Kavrayıcı rondela üzerindeki çentik, dışı kutusundaki çentiğin üzerine gelinceye dek rondelayı çevirin.
3. Kavrayıcı rondelanın dönmemesi için yuvarlak çubuğu her iki çentikten de geçirerek takın.
4. Bıçağı kavrayıcı rondela üzerine yerleştirin.
5. Kenetleyici rondelayı bıçağın üzerine yerleştirin.
6. Kabi bıçağın üzerine yerleştirin.
7. Yuvarlak çubuğu elinizle tutarken somunu saat yönünün tersinde döndürerek parçaları sıkıştırın.

Bıçağı çıkarmak için, yukarıdaki adımları tersten izleyin.

Plastik kesim başlığının takılması (Şek. 12)

ÖNEMLİ NOT:

- Mutlaka orijinal plastik kesim başlığı kullanın.

Plastik kesim başlığını kolay bir şekilde değiştirebilmek için aleti baş aşağı çevirin.

NOT:

- Kullanmadan önce kordon kesicinin kapağını çıkarın.
- 1. Kavrayıcı rondelayı dingile yerleştirin.
- 2. Kavrayıcı rondela üzerindeki çentik, dişli kutusundaki çentiğin üzerine gelinceye dek rondelayı çevirin.
- 3. Kavrayıcı rondelanın dönmemesi için yuvarlak çubuğu her iki çentikten de geçirerek takın.
- 4. Plastik kesim başlığını saat yönünün tersinde döndürerek yerleştirin.
- 5. Plastik kesim başlığını taktıktan sonra yuvarlak çubuğu çıkarın.

Plastik başlığını çıkarmak için, yukarıdaki adımları tersten izleyin.

İŞLEYİŞ

Aleti doğru tutma (Şek. 13)

Doğru duruş

⚠ UYARI:

- **Aleti daima sağ tarafınızda konumlandırın, böylece bariyer her zaman vücudunuzun önünde olacaktır.** Aleti doğru konumlandırmak maksimum kontrol sağlar ve geri tepmeden kaynaklanan ciddi kişisel yaralanma tehlikesini azaltır.

⚠ DİKKAT:

- **Eğer işlem sırasında kesim aleti kaza sonucu taş veya sert bir nesneye temas ederse, aleti durdurun ve herhangi bir hasar olup olmadığını kontrol edin. Eğer kesim aleti hasar görmüşse, aleti hemen değiştirin.** Hasarlı kesim aleti kullanmak ciddi kişisel yaralanmayla sonuçlanabilir.

Omuz kayışını, kafanızı ve sağ kolunuzu kayışın içinden geçirek sol omzunuza asın ve bariyeri her zaman için vücudunuzun önünde tutarak aleti sağ tarafınıza alın.

Omuz kayışının takılması (Şek. 14)

Kayış uzunluğunu kesim aleti zemine paralel olacak şekilde ayarlayın.

Askı ve kayışı birbirine bağlayın.

⚠ UYARI:

- **Aletin kontrolünün her zaman sizde olması için son derece dikkatli olun. Aletin, size veya çalıştığınız çevredeki herhangi birine doğru dönmesine izin vermeyin.** Aleti kontrol altında tutamamak çevredekilerin ve kullanıcının ciddi bir şekilde yaralanmasına neden olabilir.

Askı konumunun ve omuz kayışının ayarlanması

(Şek. 15)

Askı konumunu şekilde gösterildiği gibi ayarlayın.

(Şek. 16)

Askı konumunu değiştirmek için, askı üzerindeki civatayı gevşetin. Ardından askıyı hareket ettirin.

Askı konumunu ayarladıktan sonra, civatayı İngiliz anahtarıyla sağlam bir şekilde sıkın.

BAKIM

⚠ UYARI:

- **Muayene ya da bakım yapmadan önce aletin kapalı ve fişinin çekili olduğundan daima emin olun.** Aletin kapatılmaması ve fişten çekilmemesi, aletin istemsiz olarak başlatılması sonucu ciddi kişisel yaralanmalara neden olabilir.

ÖNEMLİ NOT:

- Benzin, tiner, alkol ve benzeri maddeleri kesinlikle kullanmayın. Renk değişimi, deformasyon veya çatlaklar oluşabilir.

Plastik kordonun değiştirilmesi (Şek. 17)

⚠ UYARI:

- **Kullanımdan önce, plastik kesim başlığının alete düzgün bir şekilde sabitlenmiş olduğundan emin olun.** Plastik kesim başlığını düzgün bir şekilde sabitleyememek, başlığın parçalanmasına neden olabilir ve bu da, ciddi kişisel yaralanmayla sonuçlanabilir.
- 1. Plastik kesim başlığını çıkarın.
- 2. Kap parçasının kenarı üzerindeki yarıklı bölümde karşılıklı olarak yer alan iki mandala bastırarak kapağı kaldırın.
- 3. Makarayı çıkarın ve eski plastik kordonu makaradan çıkarın.
- 4. 3 – 6 m uzunluğunda bir plastik kordon kesin. Kesim kordonunu ikiye katlayın, parçalardan birini diğerinden 80 – 100 mm daha uzun bırakın. (Şek. 18)
- 5. Yeni plastik kordonun ortasını, makaranın merkezinde, plastik kordon için sağlanan iki kanal arasında bulunan çentiğe takın. (Şek. 19)
- 6. Kordonun iki ucunu da makaranın üzerinde ok işaretiyle gösterilen yönde, kanallar boyunca sıkı bir şekilde dolayın. (Şek. 20)
- 7. Plastik kordonu deliklerden geçirek kap parçasının dışına çıkarın.
- 8. Kapağın alt kısmındaki çıkıntıyı deliklerin yuvalarıyla hizalayın. Ardından, kapağı sıkıca kap parçasının üzerine iterek sıkıştırın. Mandalların kapağı tam olarak örttüğünden emin olun.

Makinenin EMNİYET ve GÜVENİLİRLİĞİNİ muhafaza etmek için onarımlar, başka her türlü bakım veya ayarlamalar daima Makita yedek parçaları kullanılarak Makita Yetkili Servis Merkezleri tarafından yapılmalıdır.

BAKIM ARALIĞI

Parçalar:	Aralık:	Nasıl yapılacağı:
Elektrik kablosu	Her kullanımdan önce	Ciddi bir aşınma veya hasar olup olmadığını görsel olarak kontrol edin. Hasar varsa, yerel servis merkezinizden yardım isteyin.
Yardımcı tutamak vidası	Her kullanımdan önce	Vidanın gevşek olup olmadığını kontrol edin. Vida gevşemişse sıkıştırın. Vida hasar görmüşse vidayı değiştirin.
Kesim aleti siperi (koruyucu)	Her kullanımdan önce	Vidanın gevşek olup olmadığını ve koruyucunun hasarlı olup olmadığını kontrol edin. Vida gevşemişse sıkıştırın. Koruyucu hasar görmüşse koruyucuyu değiştirin.
Kesim bıçağı	Her 10 saatte bir	Her kullanımdan sonra korozyon önleyici yağ ile yağlayın. Hasar olup olmadığını kontrol edin. Hasar varsa, değiştirin.
Plastik kesim başlığı	Her 10 saatte bir	Ciddi bir aşınma veya hasar olup olmadığını görsel olarak kontrol edin. Hasar varsa, değiştirin.
Dişli mili	Her 10 saatte bir	Korozyon önleyici yağ ile yağlayın.

SORUN GİDERME

Anarım talep etmeden önce, kendi kendinize muayene yapın. Kılavuzda açıklanmayan bir problemle karşılaşırsanız aleti demonte etmeye kalkışmayın. Bunun yerine, Makita Yetkili Servis Merkezlerine başvurun ve daima orijinal Makita yedek parçaları kullanın.

Arıza durumu	Neden	Çözüm
Motor çalışmıyor.	Güç kablosu prize takılmamış.	Kabloyu prize takın.
	Güç kablosu bozuldu.	Yerel yetkili servis merkezinizden yardım isteyin.
	Sürüş sistemi doğru işlemiyor.	
Kısa bir kullanımdan sonra motor duruyor.	Aşırı ısınma.	Aleti kullanmayı durdurun ve soğumasını bekleyin.
Alet maksimum devire ulaşmıyor.	Sürüş sistemi doğru işlemiyor.	Yerel yetkili servis merkezinizden yardım isteyin.
Kesim aleti dönmüyor: makineyi hemen durdurun!	Siper ve kesim aleti arasına yabancı bir cisim, örneğin bir dal parçası takılmış.	Yabancı cismi çıkarın.
	Kesim bıçağı sabitleyici somun gevşedi.	Somunu bu kılavuzda açıklandığı gibi sıkıştırın.
	Kesim bıçağı büküldü.	Bıçağı değiştirin.
	Sürüş sistemi doğru işlemiyor.	Yerel yetkili servis merkezinizden yardım isteyin.
Olağan dışı titreşim: makineyi hemen durdurun!	Plastik kordonun bir ucu kırılmış.	Plastik kesim başlığı dönerken başlığı yere vurarak kordonun uzamasını sağlayın.
	Kesim bıçağı büküldü, çatladı veya aşındı.	Bıçağı değiştirin.
	Kesim bıçağı sabitleyici somun gevşedi.	Somunu bu kılavuzda açıklandığı gibi sıkıştırın.
	Kesim bıçağı yanlış bir şekilde sabitlendi.	
	Sürüş sistemi doğru işlemiyor.	Yerel yetkili servis merkezinizden yardım isteyin.
Kesim aleti ve motor durmuyor: Elektrik kablosunu hemen prizden çekin!	Elektriksel veya elektronik arıza.	Elektrik kablosunu prizden çekin ve yerel yetkili servis merkezinizden yardım isteyin.

İSTEĞE BAĞLI AKSESUARLAR

⚠ DİKKAT:

- Bu aksesuarlar ve ek parçaların bu el kitabında belirtilen Makita aletiniz ile kullanılmaları tavsiye edilmektedir. Herhangi başka bir aksesuar ya da ek parça kullanılması insanlar için bir yaralanma riski oluşturabilir. Aksesuarları ya da ek parçaları yalnızca belirtilmiş olan kullanım amaçları için kullanın.

Bu aksesuarlarla ilgili daha detaylı bilgiye ihtiyaç duyarsanız bulunduğunuz yerdeki yetkili Makita servisine başvurun.

- Kesim bıçağı
- Plastik kesim başlığı
- Plastik kordon (kesim ipi)
- Omuz kayışı

NOT:

- Listedeki parçaların bazıları alet paketi içerisinde standart aksesuar olarak dahil edilmiş olabilir. Bunlar ülkeden ülkeye farklılık gösterebilir.

Objaśnienia do widoku ogólnego

- | | | |
|---|--|--------------------------|
| 1 Uchwyt na przewód | 10 Element tnący | 21 Podkładka dociskowa |
| 2 Przewód zasilający (w niektórych krajach kształt wtyczki może być inny) | 11 Pas naramienny | 22 Kielich |
| 3 Uchwyt tylny | 12 Miękką nakładka | 23 Nakrętka |
| 4 Dźwignia blokady | 13 Strefa najefektywniejszego koszenia | 24 Żyłkowa głowica tnąca |
| 5 Język spustowy przelącznika | 14 Uchwyt | 25 Przycinak żyłki |
| 6 Uchwyt przedni | 15 Element gumowy | 26 Osłona |
| 7 Zaczep (punkt mocowania) | 16 Osłona wewnętrzna | 27 Zaczep |
| 8 Ogranicznik | 17 Osłona zewnętrzna | 28 80 – 100 mm |
| 9 Osłona elementu tnącego (zabezpieczenie) | 18 Podkładka stabilizująca | 29 Szpuła z żyłką |
| | 19 Okrągły trzpień | |
| | 20 Nóż | |

DANE TECHNICZNE

Model	UR2300	UR3502
Typ uchwytu	Uchwyt pałkowy	
Całkowita długość	1 630 mm	
Pobór mocy	1 000 W	
Prędkość bez obciążenia	5 700 min ⁻¹	5 700 min ⁻¹
Element tnący	Nóż	Żyłkowa głowica tnąca
Szerokość koszenia	230 mm	350 mm
Ciężar netto	4,7 kg	4,9 kg
Klasa bezpieczeństwa	▣/II	

- Ze względu na stale prowadzone prace badawczo-rozwojowe, podane tu dane techniczne mogą ulec zmianie bez powiadomienia.
- W innych krajach urządzenie może mieć odmienne parametry techniczne.
- Waga została określona zgodnie z procedurą EPTA 01/2003

Hałas	Średni poziom ciśnienia akustycznego		Średni poziom natężenia dźwięku		Obowiązująca norma	
	Element tnący	L _{PA} (dB(A))	Niepewność K (dB(A))	L _{WA} (dB(A))		Niepewność K (dB(A))
Nóż		80,8	2,5	93,45	1,23	EN 60335-1, EN 50636-2-91, EN ISO 11806
Żyłkowa głowica tnąca		85,3	2,5	93,84	1,58	

- Zakładać ochraniacze na uszy.

Drgania	Uchwyt przedni		Uchwyt tylny		Obowiązująca norma	
	Element tnący	a _h (m/s ²)	Niepewność K (m/s ²)	a _h (m/s ²)		Niepewność K (m/s ²)
Nóż		2,856	1,5	2,712	1,5	EN 60335-1, EN 50636-2-91, EN ISO 11806
Żyłkowa głowica tnąca		2,768	1,5	2,694	1,5	

- Deklarowana wartość emisji drgań została zmierzona zgodnie ze standardową metodą testowania i może być wykorzystywana do porównywania jednego narzędzia z innym.



- Zachowywać odległość co najmniej 15 metrów.

- Deklarowana wartość emisji drgań może być również wykorzystywana do wstępnej oceny narażenia.



- **PODWÓJNA IZOLACJA**

⚠ OSTRZEŻENIE:

- Emisja drgań podczas faktycznej eksploatacji elektronarzędzia może różnić się od deklarowanej wartości emisji w zależności od sposobu użytkowania narzędzia.
- Należy koniecznie zapoznać się z zasadami bezpieczeństwa związanymi z ochroną operatora, które są oparte na ocenie narażenia w rzeczywistych warunkach użytkowania (biorąc pod uwagę wszystkie etapy cyklu roboczego, nie tylko okresy czasu, kiedy narzędzie jest włączone, ale również, kiedy jest wyłączone lub pracuje na biegu jałowym).



- Dotyczy tylko państw UE Urządzeń elektrycznych nie wolno wyrzucać razem z odpadami z gospodarstw domowych! Zgodnie z Dyrektywą Europejską dotyczącą odpadów elektrycznych i elektronicznych oraz jej przepisami wykonawczymi w oparciu o prawo krajowe, sprzęt elektryczny, którego okres eksploatacji dobiegł końca, należy zebrać oddzielnie i przekazać do zakładu utylizacji dostosowanego do norm środowiskowych.

Symbole

Poniżej przedstawiono stosowane symbole. Przed przystąpieniem do eksploatacji należy koniecznie zapoznać się z ich znaczeniem.



- Zachować szczególną ostrożność i uwagę.



- Przeczytać instrukcję obsługi.



- Niebezpieczeństwo: uważać na wyrzucane przedmioty.



- Odległość pomiędzy narzędziem a osobami stojącymi obok musi wynosić co najmniej 15 metrów.



- Nie pozwalać zbliżyć się osobom stojącym obok.



- Nosić kask, gogle oraz nauszniki.



- Nosić rękawice ochronne.



- Stosować solidne obuwie z antypoślizgową podeszwą. Wskazane jest stosowanie butów z metalowymi ochraniaczami na palce.



- Chronić przed wilgocią.



- W przypadku uszkodzenia przewodu lub jego poplątania, odłączyć wtyczkę od gniazda elektrycznego.



- Unikać odrzutu.

Ogólne zasady bezpieczeństwa dotyczące elektronarzędzi

⚠️ OSTRZEŻENIE Należy zapoznać się z wszystkimi zasadami bezpieczeństwa i zaleceniami. Niezastosowanie się do wspomnianych zasad i zaleceń może doprowadzić do porażenia prądem elektrycznym, pożaru bądź poważnego urazu.

Wszystkie zasady i zalecenia należy zachować do wglądu na przyszłość.

Pojęcie „elektronarzędzie”, występujące w wymienionych tu ostrzeżeniach, odnosi się do elektronarzędzia zasilanego z sieci energetycznej (z przewodem zasilającym) lub do elektronarzędzia akumulatorowego (bez przewodu zasilającego).

Bezpieczeństwo w miejscu pracy

1. W miejscu pracy należy utrzymywać czystość i zadbać o dobre oświetlenie. Nieporządek bądź słabe oświetlenie sprzyjają wypadkom.
2. Elektronarzędzi nie wolno używać w miejscach zagrożonych wybuchem, na przykład w obecności łatwopalnych cieczy, gazów lub pyłów. Elektronarzędzia wytwarzają iskry, które mogą spowodować zapalenie się pyłu lub oparów.
3. Nie należy uruchamiać elektronarzędzia, gdy w pobliżu znajdują się dzieci lub osoby postronne. Chwila nieuwagi może spowodować utratę kontroli.

Zasady bezpieczeństwa dotyczące urządzeń elektrycznych

4. Wtyczka przewodu zasilającego elektronarzędzia musi pasować do gniazda elektrycznego. Nie wolno dokonywać żadnych przeróbek wtyczki. W przypadku elektronarzędzi wymagających uziemienia nie wolno stosować żadnych przejściówek. Oryginalne wtyczki i właściwie dopasowane gniazda zmniejszają ryzyko porażenia prądem elektrycznym.
5. Unikać kontaktu z powierzchniami uziemionych przedmiotów, jak rury, grzejniki, kucharki, czy lodówki. Gdy ciało jest uziemione, wzrasta ryzyko porażenia prądem elektrycznym.
6. Elektronarzędzia należy chronić przed deszczem i wilgocią. Woda, która dostanie się do środka, zwiększa ryzyko porażenia prądem elektrycznym.
7. Przewodu zasilającego używać wyłącznie zgodnie z jego przeznaczeniem. Nie wolno wykorzystywać go do przenoszenia lub przyciągania narzędzia, ani do wyciągania wtyczki z gniazda elektrycznego. Przewód należy trzymać z dala od źródeł ciepła, oleju, ostrych krawędzi lub znajdujących się w ruchu podzespołów. Uszkodzone lub poplątane przewody zasilające zwiększają ryzyko porażenia prądem elektrycznym.
8. W przypadku używania elektronarzędzia na dworze należy skorzystać z przedłużacza do zastosowań zewnętrznych. Tylko taki przedłużacz zmniejsza ryzyko porażenia prądem elektrycznym.
9. Jeżeli zachodzi potrzeba użycia elektronarzędzia w miejscu, gdzie panuje wilgoć, należy korzystać z obwodu zasilającego zabezpieczonego wyłącznikiem różnicowo-prądowym (RCD). Używanie wyłącznika różnicowo-prądowego zmniejsza ryzyko porażenia prądem elektrycznym.

10. Zaleca się zawsze stosowanie zasilania z wyłącznikiem różnicowo-prądowym o znamionowym prądzie różnicowym równym 30 mA lub mniej.

Bezpieczeństwo osobiste

11. Podczas pracy z elektronarzędziem zachować czujność, obserwować wykonywane operacje i kierować się zdrowym rozsądkiem. Nie wolno używać elektronarzędzia, gdy jest się zmęczonym albo pod wpływem narkotyków, alkoholu bądź leków. Chwila nieuwagi podczas pracy może spowodować poważny wypadek.
12. Używać sprzętu ochrony osobistej. Zawsze zakładać okulary ochronne. Odpowiedni sprzęt ochronny, typu maska przeciwpyłowa, buty antypoślizgowe, kask, czy ochraniacze na uszy, dostosowany do panujących warunków, zmniejsza ryzyko obrażeń.
13. Zapobiegać przypadkowemu uruchomieniu. Przed podłączeniem źródła zasilania bądź akumulatora, chwyceniem lub przeniesieniem narzędzia sprawdzać, czy przełącznik znajduje się w pozycji wyłączonej. Przenoszenie elektronarzędzi z palcem na przełączniku lub podłączanie przewodu zasilającego przy włączonym przełączniku grozi wypadkiem.
14. Przed włączeniem elektronarzędzia należy usunąć wszelkie klucze, które były wykorzystywane do regulacji. Klucz pozostawiony na obracającym się elemencie elektronarzędzia może spowodować poważne obrażenia ciała.
15. Nie wolno sięgać narzędziem zbyt daleko. Stać pewnie, aby nie stracić równowagi. Taka postawa pozwala uniknąć utraty kontroli nad narzędziem w nieoczekiwanych sytuacjach.
16. Ubranie powinno być właściwie dobrane. Nie wolno zakładać luźnych części garderoby ani biżuterii. Włosy, ubranie i rękawice należy trzymać z dala od ruchomych części. Luźne części ubrania, biżuteria i długie włosy mogą zostać pochwycone.
17. Jeżeli narzędzie jest przystosowane do podłączenia urządzeń do odsysania lub odbierania pyłu, należy upewnić się, że są one prawidłowo podłączone i właściwie używane. Korzystanie z urządzeń do odbierania pyłu zmniejsza poziom zagrożeń wynikających z zapylenia.

Użytkowanie elektronarzędzi i dbałość o nie

18. Elektronarzędzi nie wolno przeciążać. Używać tylko właściwego narzędzia przeznaczonego do danego zastosowania. Pozwoli ono wykonać pracę lepiej i bezpieczniej, w przewidzianym przez projektanta tempie.
19. Nie wolno używać elektronarzędzia z uszkodzonym przełącznikiem zasilania. Narzędzia z uszkodzonym przełącznikiem są niebezpieczne i wymagają naprawy.
20. Przed przystąpieniem do wykonywania regulacji, wymiany osprzętu lub przed odłożeniem narzędzia na swoje miejsce należy zawsze wyjąć wtyczkę przewodu zasilającego z gniazda i/lub odłączyć akumulator. Takie działania prewencyjne zmniejszają ryzyko przypadkowego uruchomienia elektronarzędzia.

21. **Nie używane elektronarzędzia należy chronić przed dziećmi. Nie wolno również zezwalać na korzystanie z nich osobom, które nie znają danego narzędzia albo nie zapoznały się z jego instrukcją obsługi.** Elektronarzędzia w rękach użytkowników bez przeszkolenia mogą być niebezpieczne.
22. **O elektronarzędziach trzeba dbać. Kontrolować je pod kątem nieprawidłowego ustawienia lub zablokowania elementów ruchomych, pęknięć lub innych usterek, które mogą mieć wpływ na działanie urządzenia. W przypadku stwierdzenia uszkodzenia należy zlecić jego naprawę.** Niedbalstwo jest przyczyną wielu wypadków.
23. **Narzędzia do cięcia powinny być zawsze czyste i naostrzone.** Właściwie konserwowane narzędzia do cięcia z ostrymi krawędziami tnącymi rzadziej się zakleszczają i łatwiej je prowadzić.
24. **Elektronarzędzie, osprzęt, końcówki robocze itp. należy stosować zgodnie z niniejszą instrukcją, mając na uwadze warunki i rodzaj pracy do wykonania.** Używanie elektronarzędzia do innych, niezgodnych z przeznaczeniem celów może stwarzać niebezpieczną sytuację.

Naprawa

25. **Naprawę elektronarzędzi należy zlecać wykwalifikowanemu personelowi technicznemu, który stosuje wyłącznie oryginalne części zamienne.** Pozwoli to zachować niezmienny poziom bezpieczeństwa elektronarzędzia.
26. **Postępować zgodnie z instrukcjami dotyczącymi smarowania i wymiany elementów wyposażenia.**
27. **Uchwyty powinny być zawsze suche, czyste, bez pozostałości oleju lub smaru.**

WAŻNE ZASADY BEZPIECZEŃSTWA

⚠ OSTRZEŻENIE Należy zapoznać się z wszystkimi zasadami bezpieczeństwa i zaleceniami. Niezastosowanie się do wspomnianych zasad i zaleceń może doprowadzić do porażenia prądem elektrycznym, pożaru bądź poważnego urazu.

Wszystkie zasady i zalecenia należy zachować do wglądu na przyszłość.

Przeznaczenie

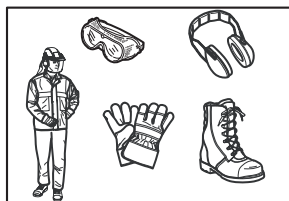
1. Wykaszarka do trawy/kosa do zarośli i krzewów/ podkaszarka żyłkowa jest przeznaczona wyłącznie do wykaszania trawy, niezbyt gęstych zarośli, krzewów i podszycia. Z uwagi na zagrożenie urazów nie należy jej stosować do innych celów, na przykład do strzyżenia żywopłotu.

Instrukcje ogólne

1. Zabrania się korzystania z urządzenia osobom, które nie zapoznały się z jego instrukcją obsługi, osobom (włącznie z dziećmi) o ograniczonej sprawności fizycznej, sensorycznej lub umysłowej, albo osobom bez doświadczenia i wiedzy. Dzieci nie wolno pozostawiać bez nadzoru, aby nie bawiły się opisywanym narzędziem.
2. Przed uruchomieniem narzędzia należy przeczytać instrukcję obsługi, aby zapoznać się z obsługą narzędzia.
3. Nie pożyczaj narzędzia osobie nie posiadającej dostatecznego doświadczenia lub wiedzy z zakresu obsługi kos do zarośli i krzewów oraz podkaszarek żyłkowych.

4. Pożyczając narzędzie, należy zawsze dotaczać jego instrukcję obsługi.
5. Z opisywanego narzędzia należy korzystać z zachowaniem najwyższej ostrożności i uwagi.
6. Narzędzia nie wolno używać po spożyciu alkoholu lub zażyciu leków, albo w przypadku zmęczenia lub choroby.
7. Nie wolno dokonywać przeróbek narzędzia.
8. Z uwagi na możliwe urazy szczególną ostrożność należy zachować podczas obsługi mechanizmu do przycinania żyłki na odpowiednią długość. Po wysunięciu żyłki tnącej, urządzenie należy zawsze ustawić w zwykłej pozycji roboczej przed jego włączeniem.
9. Postępować zgodnie z obowiązującymi w danym kraju przepisami dotyczącymi obsługi kos do zarośli i krzewów oraz podkaszarek żyłkowych.

Sprzęt ochrony osobistej



1. Z uwagi na ochronę przed drobinami unoszącymi się w powietrzu lub wyrzucanymi przedmiotami, należy stosować kask, gogle ochronne oraz rękawice ochronne.
2. Aby zapobiec uszkodzeniu słuchu należy stosować ochronę uszu, na przykład nauszniki.
3. W celu zapewnienia bezpiecznej obsługi należy stosować odpowiednią odzież oraz buty, na przykład kombinizon roboczy oraz solidne obuwie z podeszwą antypoślizgową. Nie nosić luźnych ubrań lub biżuterii. Luźne części ubrania, biżuteria i długie włosy mogą zostać pochwycone przez znajdujące się w ruchu podzespoły.
4. Ostrze tnące można dotykać wyłącznie w rękawicach ochronnych z uwagi na groźbę poważnego skaleczenia.

Bezpieczeństwo w miejscu pracy

1. Używać narzędzia wyłącznie przy dobrej widoczności i w świetle dziennym. Nie korzystać z urządzenia w ciemności lub w mgłę.
2. Narzędzia nie wolno używać w miejscach zagrożonych wybuchem, na przykład w obecności łatwopalnych cieczy, gazów lub pyłów. Narzędzie wytwarza iskry, które mogą spowodować zapalenie się pyłu lub oparów.
3. Podczas pracy nie stawać na niestabilnych lub śliskich powierzchniach albo stromym zboczu. Podczas sezonu zimowego należy wystrzegać się lodu i śniegu i zawsze zapewniać stopom bezpieczne oparcie.
4. Podczas pracy, osoby stojące obok lub zwierzęta powinny znajdować się w odległości co najmniej 15 metrów od narzędzia. Gdy ktoś się zbliży, należy niezwłocznie wyłączyć narzędzie.

5. Przed przystąpieniem do pracy należy skontrolować miejsce pracy pod kątem obecności kamieni lub innych twardych przedmiotów. Mogą one zostać wyrzucone lub spowodować niebezpieczny odrzut, grożąc poważnymi obrażeniami ciała i/lub uszkodami materialnymi.
6. **⚠️ OSTRZEŻENIE:** Podczas eksploatacji opisywanego wyrobu może powstawać pył zawierający substancje chemiczne, które mogą powodować choroby układu oddechowego lub inne schorzenia. Niektóre ze wspomnianych substancji chemicznych wchodzi w skład pestycydów, środków owadobójczych, nawozów sztucznych i herbicydów. Ryzyko wynikające z narażenia na wspomniane substancje zależy od tego, jak często wykonywane są prace tego typu. Aby zmniejszyć stopień narażenia na wspomniane substancje chemiczne, należy: pracować w miejscach z dobrą wentylacją i używać atestowanego sprzętu ochronnego, takiego jak maski przeciwpyłowe, które są specjalnie przeznaczone do filtrowania mikroskopijnych cząstek.
9. Zapobiegać przypadkowemu uruchomieniu. Przed podłączeniem źródła zasilania, chwyceniem lub przeniesieniem narzędzia sprawdzać, czy przełącznik znajduje się w pozycji wyłączonej. Przenoszenie elektronarzędzi z palcem na przełączniku lub podłączenie przewodu zasilającego przy włączonym przełączniku grozi wypadkiem.
10. Przed użyciem należy sprawdzić przewód zasilający i przedłużacz pod kątem uszkodzeń lub oznak starzenia.
11. W razie uszkodzenia przewodu podczas użytkowania należy niezwłocznie odłączyć go od źródła zasilania. **Przed odłączeniem przewodu od źródła zasilania, nie wolno go dotykać.**
12. W przypadku uszkodzonych lub zużytych przewodów, nie wolno korzystać z narzędzia.
13. Przedłużacz należy trzymać z dala od elementów tnących.

Przygotowanie do pracy

1. Przed montażem lub regulacją urządzenia należy odłączyć wtyczkę przewodu zasilającego od źródła zasilania.
2. Przed przystąpieniem do manipulowania przy nożu należy założyć rękawice ochronne.
3. Przed podłączeniem zasilania należy sprawdzić narzędzie pod kątem uszkodzeń, poluzowanych śrub/nakrętek lub niewłaściwego montażu. Tępy nóż należy naostrzyć. Wygięty lub uszkodzony nóż należy wymienić. W celu ułatwienia pracy należy sprawdzić wszystkie dźwignie sterujące i przełączniki. Wyczyścić i osuszyć uchwyty.
4. Nie wolno podejmować prób uruchomienia uszkodzonego lub nie w pełni zmontowanego narzędzia. W przeciwnym razie grozi to poważnymi obrażeniami.
5. Przed włączeniem narzędzia pamiętać o usunięciu wykorzystywanego do regulacji klucza. Klucz pozostawiony na obracającym się elemencie narzędzia może spowodować poważne obrażenia ciała.
6. Długość pasa naramiennego oraz położenie uchwyty należy dopasować do rozmiarów ciała operatora.
7. W trakcie podłączania do zasilania, przystawkę tnącą należy trzymać z dala od ciała i innych przedmiotów z uwzględnieniem ziemi. W momencie uruchomienia może ona zacząć się obracać grożąc obrażeniami ciała lub uszkodzeniem narzędzia i/lub uszkodami materialnymi.

Zasady bezpieczeństwa dotyczące urządzeń elektrycznych

1. **Wtyczka przewodu zasilającego elektronarzędzia musi pasować do gniazda elektrycznego. Nie wolno dokonywać żadnych przeróbek wtyczki. W przypadku elektronarzędzi wymagających uziemienia nie wolno stosować przejściówek.** Oryginalne wtyczki i właściwie dopasowane gniazda zmniejszają ryzyko porażenia prądem elektrycznym.
2. **Należy unikać kontaktu z powierzchniami uziemionych przedmiotów, jak rury, grzejniki, kuchenki, czy lodówki.** Gdy ciało jest uziemione, wzrasta ryzyko porażenia prądem elektrycznym.
3. Narzędzie należy chronić przed deszczem i wilgocią. Woda, która dostanie się do środka narzędzia, zwiększa ryzyko porażenia prądem elektrycznym.
4. **Przewodu zasilającego używać wyłącznie zgodnie z jego przeznaczeniem. Nie wolno wykorzystywać go do przenoszenia lub przyciągania narzędzia, ani do wyciągania wtyczki z gniazda elektrycznego. Przewód należy trzymać z dala od źródeł ciepła, oleju, ostrych krawędzi lub znajdujących się w ruchu podzespołów.** Uszkodzone lub poplątane przewody zasilające zwiększają ryzyko porażenia prądem elektrycznym.
5. Nie wolno używać narzędzia z uszkodzonym przełącznikiem zasilania. Narzędzia z uszkodzonym przełącznikiem są niebezpieczne i wymagają naprawy.
6. **W przypadku eksploatacji elektronarzędzia na dworze, należy korzystać z przedłużacza do zastosowań zewnętrznych.** Tylko taki przedłużacz zmniejsza ryzyko porażenia prądem elektrycznym.
7. **Jeżeli zachodzi potrzeba użycia elektronarzędzia w miejscu, gdzie panuje wilgoć, należy korzystać z obwodu zasilającego zabezpieczonego wyłącznikiem różnicowo-prądowym (RCD).** Używanie wyłącznika różnicowo-prądowego zmniejsza ryzyko porażenia prądem elektrycznym.
8. **Wskazane jest, aby zawsze korzystać z obwodu zasilającego zabezpieczonego wyłącznikiem różnicowo-prądowym o wartości znamionowej prądu szczytkowego nie większej niż 30 mA.**

Postępowanie

1. W razie nagłego wypadku należy niezwłocznie wyłączyć narzędzie.
2. W przypadku zaobserwowania podczas pracy jakichkolwiek nietypowych zachowań sprzętu (np. odgłosy, wibracje) należy go wyłączyć. Dopóki przyczyna nietypowego zachowania nie zostanie rozpoznana i usunięta nie wolno korzystać z narzędzia.
3. Ostrzeżenie. Po wyłączeniu narzędzia przystawka tnąca obraca się jeszcze przez kilka sekund. Nie należy spieszyć się z dotykaniem przystawki tnącej.
4. Podczas pracy korzystać z pasa naramiennego. Narzędzie należy pewnie trzymać po swojej prawej stronie.

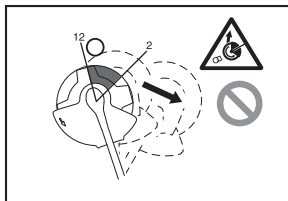
5. Nie przeceniać swoich możliwości. Stać pewnie, aby nie stracić równowagi. Zwracać uwagę na niewidoczne przeszkody, takie jak pnie, korzenie i rowy, aby się nie potknąć.
6. Nie wolno wykonywać prac stojąc na drabinie lub drzewie, aby nie stracić panowania nad narzędziem.
7. Przed przystąpieniem do pracy i po mocniejszym uderzeniu lub upadku należy koniecznie sprawdzić stan urządzenia przed kontynuowaniem pracy. Sprawdzić działanie przełączników i urządzeń bezpieczeństwa pod kątem usterek. W przypadku jakichkolwiek uszkodzeń lub wątpliwości należy skontaktować się z autoryzowanym punktem serwisowym w celu sprawdzenia i naprawy urządzenia.
8. Nie dotykać obudowy przekładni. W trakcie pracy obudowa przekładni nagrzewa się.
9. Robić przerwy, aby zapobiec utracie panowania spowodowanej zmęczeniem. Wskazane jest robienie 10- do 20-minutowych przerw co godzinę.
10. Gdy urządzenie nie będzie użytkowane nawet przez bardzo krótki okres czasu, zawsze należy wyciągnąć wtyczkę z gniazda zasilającego. Osoby nieupoważnione mogą skorzystać z pozostawionego bez nadzoru narzędzia podłączonego do zasilania, co grozi poważnym wypadkiem.
11. Przed przystąpieniem do usuwania trawy lub gałązek zaklinowanych między przystawką tnącą a osłoną zawsze należy wyłączyć urządzenie i wyciągnąć wtyczkę przewodu zasilającego z gniazda. W przeciwnym razie przystawka tnąca może przypadkowo się obrócić powodując poważne obrażenia.
12. Po uderzeniu przystawki tnącej w kamień lub inny twardy przedmiot należy niezwłocznie wyłączyć narzędzie. Następnie należy wyciągnąć wtyczkę przewodu zasilającego z gniazda i sprawdzić przystawkę tnącą.
13. Przystawkę tnącą należy często kontrolować pod kątem pęknięć lub uszkodzeń. Przed kontrolą należy wyciągnąć wtyczkę przewodu zasilającego z gniazda i odczekać aż przystawka tnąca całkowicie się zatrzyma. Uszkodzoną przystawkę tnącą należy niezwłocznie wymienić nawet w przypadku tylko powierzchniowych pęknięć.
14. Nie wolno wykonywać cięć powyżej poziomu bioder.
15. Po uruchomieniu narzędzia należy odczekać aż przystawka tnąca osiągnie stałą prędkość, dopiero wówczas można przystąpić do koszenia.
16. W przypadku korzystania z metalowych noży należy wykonywać równomiernie narzędziem półkoliste, wahadłowe ruchy od strony prawej do lewej, jak przy użyciu zwykłej kosy.
17. Narzędzie należy trzymać wyłącznie za izolowane uchwyty, ponieważ może dojść do zetknięcia się noża z ukrytymi przewodami elektrycznymi. Zetknięcie się noża z przewodem elektrycznym pod napięciem może sprawić, że odsłonięte elementy metalowe narzędzia znajdują się pod napięciem grożąc porażeniem operatora przez prąd elektryczny.
18. Zawsze należy upewnić się, że otwory wentylacyjne są drożne.

Przystawki tnące

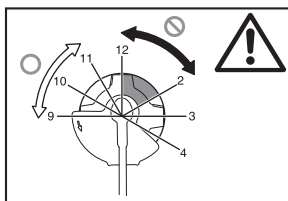
1. Należy korzystać z odpowiedniej do wykonywanej pracy przystawki tnącej.
 - Żyłkowe głowice tnące nadają się do wykaszania trawy.
 - Metalowe noże nadają się do wykaszania chwastów, wysokich traw, krzewów i krzaków, podszycia, zarośli i im podobnych.
 - Nie wolno korzystać z innych ostrzy, w tym wieloelementowych metalowych łańcuchów przegubowych czy noży bijakowych. Może bowiem dojść do poważnych obrażeń.
2. Zawsze należy używać odpowiedniej osłony przystosowanej do wykorzystywanej przystawki tnącej.
3. W modelach z żyłkową głowicą tnącą nie wolno stosować metalowych elementów tnących.
4. Podczas pracy z metalowym nożem należy unikać sytuacji sprzyjających „odrzutowi” i być zawsze przygotowanym na przypadkowy odrzut. Informacje w części zatytułowanej „Odrzut”.

Odrzut (napór noża)

1. Odrzut (napór noża) to nagła reakcja zakleszczonego lub zablokowanego noża tnącego. W przypadku wystąpienia, narzędzie jest odrzucane z ogromną siłą na bok lub w kierunku operatora, grożąc poważnymi obrażeniami.
2. Odrzut występuje w szczególności w przypadku uderzenia twardego przedmiotu, krzaku i drzewa o średnicy powyżej 3 cm częścią noża znajdującą się pomiędzy godziną 12 a 2.



3. Unikanie odrzutu:
 - Wykorzystywać do cięcia część noża znajdującą się pomiędzy godziną 8 a 11.
 - Nie używać nigdy części noża znajdującej się pomiędzy godziną 12 a 2.
 - Nie używać części noża znajdującej się pomiędzy godziną 11 a 12 i pomiędzy godziną 2 a 5, chyba że operator ma doświadczenie, jest dobrze wyszkolony i robi to na własne ryzyko.
 - Nie używać noży tnących w pobliżu twardych obiektów, takich jak ogrodzenia, ściany, pnie drzew, czy kamienie.
 - Nie używać noży tnących w pozycji pionowej do podcinania krawędzi czy strzyżenia żywopłotu.



Drgania

1. U osób z problemami krążeniowymi, które są narażone na działanie zbyt intensywnych drgań, może dochodzić do uszkodzenia naczyń krwionośnych lub układu nerwowego. Drgania mogą wywoływać poniższe objawy w palcach, rękach lub nadgarstkach: drętwienie, mrowienie, bóle, wrazenie klucza, zmiany w zabarwieniu skóry lub zmiany na skórze. W przypadku wystąpienia któregokolwiek z powyższych objawów, należy zgłosić się do lekarza!
2. Aby zmniejszyć ryzyko wystąpienia choroby wibracyjnej należy dbać o to, aby podczas pracy dłonie był ciepłe a narzędzie i akcesoria w dobrym stanie technicznym.

Przenoszenie

1. Przed przystąpieniem do przenoszenia narzędzia należy je wyłączyć, a następnie wyciągnąć wtyczkę przewodu zasilającego z gniazda. Na nóż tnący założyć osłonę.
2. Przenoszone narzędzie należy trzymać w pionie za trzonek.
3. Przewożone narzędzie należy odpowiednio zabezpieczyć, aby się nie przewróciło w trakcie jazdy. W przeciwnym razie może dojść do uszkodzenia narzędzia i innego bagażu.

Konserwacja

1. Serwis narzędzia zlecać autoryzowanemu punktowi serwisowemu, który zawsze korzysta wyłącznie z oryginalnych części zamiennych. Nieprawidłowa naprawa i niewłaściwa konserwacja mogą przyczynić się do skrócenia okresu eksploatacji narzędzia i do zwiększenia ryzyka wypadków.
2. Przed rozpoczęciem prac konserwacyjnych lub naprawy, albo przed przystąpieniem do czyszczenia, narzędzie należy zawsze wyłączyć, a następnie wyciągnąć wtyczkę przewodu zasilającego z gniazda.
3. Przed przystąpieniem do manipulowania nożem tnącym należy zawsze założyć rękawice ochronne.
4. Narzędzie należy zawsze oczyścić z pyłu i brudu. Do tego celu nie wolno używać benzyny, rozpuszczalnika, alkoholu lub podobnych substancji. Mogą one powodować zprzerbarwienie, odkształcenia lub pęknięcia plastikowych elementów.
5. Po każdorazowym użyciu należy dokręcić wszystkie śruby i nakrętki.
6. Nie wykonywać żadnych prac konserwacyjnych lub napraw nieopisanych w niniejszej instrukcji obsługi. Wspomniane czynności należy zlecać autoryzowanemu punktowi serwisowemu.
7. Zawsze korzystać wyłącznie z naszych oryginalnych części zamiennych i akcesoriów. Stosowanie części lub akcesoriów dostarczonych przez osoby trzecie może spowodować awarię urządzenia, szkody materialne i/lub poważne obrażenia.
8. W regularnych odstępach czasu zlecać przeglądy techniczne i konserwacje narzędzia autoryzowanemu punktowi serwisowemu.

Przechowywanie

1. Przed odłożeniem narzędzia na miejsce należy dokładnie je oczyścić i zakonserwować. Wyciągnąć wtyczkę przewodu zasilającego. Na nóż tnący założyć osłonę.
2. Narzędzie przechowywać w suchym i zamkniętym pomieszczeniu lub na odpowiedniej wysokości, aby dzieci nie miały do niego dostępu.

3. Nie opierać narzędzia o ścianę lub inny element. W przeciwnym razie może ono nagle upaść powodując obrażenia.

Pierwsza pomoc

1. Zawsze należy mieć w pobliżu apteczkę pierwszej pomocy. Braki w apteczce należy niezwłocznie uzupełnić.
2. W przypadku wezwania pomocy należy podać następujące informacje:
 - Miejsce wypadku
 - Co się wydarzyło
 - Liczba poszkodowanych osób
 - Charakter obrażeń
 - Imię i nazwisko

INSTRUKCJĘ OBSŁUGI NALEŻY ZACHOWAĆ.

⚠️ OSTRZEŻENIE:

NIE WOLNO pozwolić, aby wygoda lub rutyna (nabyta w wyniku wielokrotnego używania narzędzia) zastąpiły ściśle przestrzeganie obowiązujących zasad bezpieczeństwa w przypadku przedmiotowego wyrobu. NIEWŁAŚCIWE UŻYTKOWANIE narzędzia lub niestosowanie się do zasad bezpieczeństwa podanych w niniejszej instrukcji obsługi może prowadzić do poważnych obrażeń ciała.

OPIS ELEMENTÓW (Rys. 1)

OPIS DZIAŁANIA

⚠️ OSTRZEŻENIE:

- **Przed przystąpieniem do regulacji lub sprawdzenia działania narzędzia należy zawsze upewnić się, że jest ono wyłączone i odłączone od zasilania.** Zignorowanie zalecenia wyłączenia urządzenia i odłączania go od zasilania grozi poważnymi obrażeniami ciała w razie jego przypadkowego uruchomienia.

Mechanizm przełącznika zasilania (Rys. 2)

⚠️ OSTRZEŻENIE:

- **Przed podłączeniem narzędzia do zasilania należy zawsze sprawdzić, czy język spustowy przełącznika działa prawidłowo i po zwolnieniu wraca do położenia „OFF” („WYŁ.”). Nie należy ciągnąć na siłę za język spustowy przełącznika bez uprzedniego przesunięcia dźwigni blokady. Można w ten sposób połamać przełącznik.** Praca z urządzeniem, którego przełącznik nie działa prawidłowo, może prowadzić do utraty kontroli i spowodować poważne obrażenia ciała.

Urządzenie wyposażone jest w dźwignię blokady, która zapobiega przypadkowemu pociągnięciu za język spustowy przełącznika.

Aby uruchomić narzędzie, należy przesunąć dźwignię blokady do przodu i pociągnąć za język spustowy przełącznika. W celu zatrzymania, wystarczy zwolnić język spustowy przełącznika.

Żyłkowa głowica tnąca (Rys. 3)

PRZESTROGA:

- Nie uruchamiać półautomatycznego mechanizmu wysuwania żyłki tnącej podczas pracy narzędzia przy wysokich obrotach. Półautomatyczne wysuwanie żyłki tnącej przy wysokich obrotach może spowodować uszkodzenie żyłkowej głowicy tnącej.
- System półautomatycznego wysuwania żyłki nie będzie działał prawidłowo, jeżeli głowica nie będzie się obracać.

UWAGA:

- Wyposażenie standardowe może się różnić w zależności od modelu i kraju.

Zastosowana żyłkowa głowica tnąca to głowica z podwójną żyłką zaopatrzoną w system półautomatycznego wysuwania.

Aby wysunąć nylonową żyłkę, należy podczas obracania się głowicy tnącej uderzyć nią o podłoże.

UWAGA:

- Jeżeli nylonowa żyłka nie wysuwa się po uderzeniu głowicą, należy przewinąć/wymienić nylonową żyłkę postępując zgodnie z procedurami opisanymi w części zażyłowanej „Konserwacja”.

Uchwyt na przewód (Rys. 4)

Po zrobieniu na przewodzie zasilającym niewielkiej pętli można go zawiesić na przystosowanym do tego uchwycie.

MONTAŻ

⚠ OSTRZEŻENIE:

- Przed przystąpieniem do wykonywania jakichkolwiek prac przy narzędziu należy zawsze upewnić się, czy jest ono wyłączone i odłączone od zasilania.** Zignorowanie zalecenia wyłączenia urządzenia i odłączenia go od zasilania grozi poważnymi obrażeniami ciała w razie jego przypadkowego uruchomienia.
- Nie wolno uruchamiać narzędzia dopóki nie jest ono całkowicie zmontowane.** Praca z narzędziem częściowo zmontowanym grozi poważnymi obrażeniami ciała w razie jego przypadkowego uruchomienia.

Montaż uchwytu (Rys. 5)

⚠ OSTRZEŻENIE:

- Nie wolno rezygnować ani zmniejszać elementu dystansowego lub miękkiej nakładki. Element dystansowy zapewnia odpowiednią odległość pomiędzy obiema rękoma. Ustawienie zespołu uchwytu/ogranicznika zbyt blisko drugiego uchwytu poza długością elementu dystansowego może spowodować utratę kontroli oraz poważne obrażenia ciała.

Uchwyt i ogranicznik należy zamocować na gumowym elemencie na rurze trzonka. Po wyregulowaniu położenia uchwytu przykręcić oba elementy czterema śrubami.

Atestowana kombinacja elementu tnącego i osłony

⚠ OSTRZEŻENIE:

- Zawsze należy stosować atestowaną kombinację sprzętu ochronnego.** W przeciwnym razie kontakt z elementem tnącym grozi poważnymi obrażeniami.

- Nie wolno korzystać z narzędzia bez osłony zamontowanej zgodnie z rysunkiem.** Niestosowanie się do tej zasady grozi poważnymi obrażeniami ciała.

UWAGA:

- Wyposażenie standardowe może się różnić w zależności od modelu i kraju.

W przypadku noża (Rys. 6)

W przypadku żyłkowej głowicy tnącej (Rys. 7)

Montaż osłony w przypadku noża (Rys. 8)

- Wyrównać otwory w osłonie wewnętrznej z otworami w obudowie przekładni.
- Następnie oba elementy skrócić trzema śrubami.

Montaż osłony w przypadku głowicy żyłkowej

⚠ OSTROŻNIE:

- Zachować ostrożność, aby nie skaleczyć się o przycinak nylonowej żyłki.
- Należy pamiętać, aby przed pracą zdjąć osłonę z przycinaka.

- Wyrównać cztery śruby na osłonie zewnętrznej z otworami w osłonie wewnętrznej. **(Rys. 9)**
- Skrócić oba elementy czterema śrubami.
- Wyrównać otwory w osłonie wewnętrznej z otworami w obudowie przekładni.
- Skrócić oba elementy śrubami. **(Rys. 10)**

Montaż noża

⚠ OSTRZEŻENIE:

- Średnica zewnętrzna noża musi wynosić 230 mm.** Nie wolno stosować noża o średnicy zewnętrznej przekraczającej 230 mm.

⚠ OSTROŻNIE:

- Nóż powinien być dobrze oszlifowany, bez śladów pęknięć lub ubytków. Po każdym trzech godzinach pracy nóż należy naostrzyć lub wymienić.
- Przed przystąpieniem do manipulowania przy nożu należy zawsze założyć rękawice.
- Na czas przenoszenia lub przechowywania narzędzia należy zawsze zakładać osłonę na nóż.
- Z biegiem czasu nakrętka dociskowa noża ulega zużyciu. Gdy na nakrętce pojawiają się ślady zużycia lub odkształcenia, należy ją wymienić. Z zamówieniem należy zwrócić się do miejscowego autoryzowanego punktu serwisowego.

PRZESTROGA:

- Pamiętać o stosowaniu oryginalnego noża.

W celu ułatwienia wymiany noża narzędzie należy obrócić do góry nogami. **(Rys. 11)**

- Osadzić na osi podkładkę stabilizującą.
- Obrócić podkładkę stabilizującą do momentu wyrównania nacięcia w podkładce z nacięciem na obudowie przekładni.
- Wsunąć okrągły trzpień w oba nacięcia w celu zablokowania podkładki stabilizującej.
- Umieścić nóż na podkładce stabilizującej.
- Umieścić podkładkę dociskową na nożu.
- Umieścić kielich na nożu.
- Całość unieruchomić za pomocą nakrętki, obracając ją przeciwnie do ruchu wskazówek zegara, przytrzymując jednocześnie okrągły trzpień.

Aby odkręcić nóż, wystarczy w odwrotnej kolejności wykonać procedurę montażu.

Montaż żyłkowej głowicy tnącej (Rys. 12)

PRZESTROGA:

- Należy stosować oryginalną żyłkową głowicę tnącą.

W celu ułatwienia wymiany żyłkowej głowicy tnącej narzędzie należy obrócić do góry nogami.

UWAGA:

- Przed przystąpieniem do użytkowania należy zdjąć osłonę z przycinaka żyłki.

1. Osadzić na osi podkładkę stabilizującą.
2. Obrócić podkładkę stabilizującą do momentu wyrównania nacięcia w podkładce z nacięciem na obudowie przekładni.
3. Wsunąć okrągły trzpień w oba nacięcia w celu zablokowania podkładki stabilizującej.
4. Zamocować żyłkową głowicę tnącą obracając ją przeciwnie do ruchu wskazówek zegara.
5. Po zamontowaniu żyłkowej głowicy tnącej wyciągnąć okrągły trzpień.

Aby zdemontować głowicę żyłkową, wystarczy w odwrotnej kolejności wykonać procedurę montażu.

UŻYTKOWANIE

Prawidłowe obchodzenie się z narzędziem (Rys. 13)

Prawidłowa postawa

⚠ OSTRZEŻENIE:

- **Narzędzie należy zawsze trzymać po swojej prawej stronie w taki sposób, aby ogranicznik znajdował się zawsze przed operatorem.** Prawidłowe ustawienie narzędzia zapewnia maksymalną kontrolę i zmniejsza ryzyko wystąpienia poważnych obrażeń ciała spowodowanych odrzutem.

⚠ OSTROŻNIE:

- **Jeżeli podczas pracy element tnący przypadkowo uderzy w kamień lub inny twardy obiekt, należy wyłączyć urządzenie i sprawdzić je pod kątem ewentualnych uszkodzeń. W razie uszkodzenia elementu tnącego należy go niezwłocznie wymienić.** Używanie uszkodzonego elementu tnącego grozi poważnymi obrażeniami ciała.

Po przełożeniu pasa naramiennego przez głowę należy zawiesić go na lewym ramieniu. Narzędzie trzymać po swojej prawej stronie w taki sposób, aby ogranicznik zawsze znajdował się przed operatorem.

Mocowanie pasa naramiennego (Rys. 14)

Długość pasa należy wyregulować w taki sposób, aby element tnący był zawsze ustawiony równolegle do ziemi.

Przymocować pas do zaczepu.

⚠ OSTRZEŻENIE:

- **Należy zachować bardzo dużą ostrożność, aby nie utracić kontroli nad urządzeniem. Nie wolno dopuścić, aby urządzenie odchyliło się w kierunku operatora lub jakiegokolwiek innej osoby znajdującej się w pobliżu miejsca pracy.** Utrata kontroli nad narzędziem grozi poważnymi obrażeniami ciała w przypadku osób stojących obok i operatora.

Regulacja pozycji zaczepu i pasa naramiennego (Rys. 15)

Wyregulować pozycję zaczepu zgodnie z rysunkiem. (Rys. 16)

Aby zmienić pozycję zaczepu, należy poluzować śrubę mocującą zaczep. Następnie przesunąć zaczep. Po wyregulowaniu pozycji zaczepu należy unieruchomić go śrubą.

KONSERWACJA

⚠ OSTRZEŻENIE:

- **Przed przystąpieniem do przeglądu narzędzia lub jego konserwacji należy upewnić się, że zostało wyłączone i odłączone od zasilania.** Zignorowanie zalecenia wyłączenia urządzenia i odłączania go od zasilania grozi poważnymi obrażeniami ciała w razie jego przypadkowego uruchomienia.

PRZESTROGA:

- Nie wolno używać benzyny, rozpuszczalnika, alkoholu lub podobnych substancji. Mogą one powodować przebarwienia, odkształcenia lub pęknięcia.

Wymiana nylonowej żyłki (Rys. 17)

⚠ OSTRZEŻENIE:

- **Przed przystąpieniem do pracy należy upewnić się, że żyłkowa głowica tnąca jest prawidłowo zamocowana w narzędziu.** Nieprawidłowe zamocowanie żyłkowej głowicy tnącej, może sprawić, że rozleci się ona w trakcie pracy, grożąc poważnymi obrażeniami ciała.

1. Zdemontować żyłkową głowicę tnącą.
2. Zdjąć pokrywę naciskając dwa zatrzaski w postaci naciętych sekcji znajdujących się po przeciwnych stronach na bocznej ścianie kielicha.
3. Wyjąć szpulę i usunąć z niej starą żyłkę nylonową.
4. Uciąć 3 – 6 m nylonowej żyłki. Zgiąć uciętą żyłkę na dwie części w taki sposób, aby jedna z części była dłuższa od drugiej o 80 – 100 mm. (Rys. 18)
5. Zaczepić środek nowej żyłki nylonowej o nacięcie znajdujące w środku szpuli pomiędzy dwoma kanałami przewidzianymi dla żyłki. (Rys. 19)
6. Dobrze nawiązać oba końce żyłki w kierunku wskazywanym przez strzałkę znajdującą się na szpuli. (Rys. 20)
7. Przeciągnąć oba końce żyłki nylonowej przez przelotki, aby wystawały z kielicha głowicy.
8. Wyrównać wystający element znajdujący się na spodzie pokrywy z nacięciami przelotek. Następnie docisnąwszy, dobrze osadzić pokrywę na kielichu. Upewnić się, że zatrzaski całkowicie rozprzężyły się w pokrywie.

W celu zachowania odpowiedniego poziomu BEZPIECZEŃSTWA i NIEZAWODNOŚCI wyrobu, wszelkie naprawy i różnego rodzaju prace konserwacyjne lub regulacje powinny być przeprowadzane przez autoryzowany punkt serwisowy narzędzi Makita zawsze z użyciem oryginalnych części zamiennych Makita.

HARMONOGRAM KONSERWACJI

Części:	Częstotliwość:	Sposób:
Przewód zasilający	Przed każdorazowym użyciem	Wizualnie skontrolować pod kątem intensywnego zużycia lub uszkodzenia. W razie uszkodzenia zlecić naprawę w miejscowym punkcie serwisowym.
Śruba rękojeści pomocniczej	Przed każdorazowym użyciem	Sprawdzić, czy śruba nie jest poluzowana. Poluzowaną śrubę dokręcić. Uszkodzoną śrubę wymienić.
Ośłona elementu tnącego (zabezpieczenie)	Przed każdorazowym użyciem	Sprawdzić, czy śruba nie jest poluzowana, a osłona nie jest uszkodzona. Poluzowaną śrubę dokręcić. Uszkodzoną osłonę wymienić.
Nóż	Co 10 roboczogodzin	Nasmarować smarem antykorozyjnym po każdorazowym użyciu. Sprawdzić pod kątem ewentualnych uszkodzeń. W razie uszkodzenia, wymienić.
Żyłkowa głowica tnąca	Co 10 roboczogodzin	Wizualnie skontrolować pod kątem intensywnego zużycia lub uszkodzenia. W razie uszkodzenia, wymienić.
Wał przekładni	Co 10 roboczogodzin	Nasmarować smarem antykorozyjnym.

ROZWIĄZYWANIE PROBLEMÓW

Przed zleceniem naprawy należy najpierw zrobić przegląd samodzielnie. Jeżeli wykryty problem nie został opisany w instrukcji obsługi, nie wolno podejmować próby demontażu narzędzia. Zamiast tego należy zwrócić się do autoryzowanego punktu serwisowego narzędzi Makita, który do napraw zawsze używa oryginalnych części zamiennych marki Makita.

Usterka	Przyczyna	Działanie
Silnik nie działa.	Przewód zasilający nie jest podłączony.	Wetknąć wtyczkę do gniazda elektrycznego.
	Przerwany przewód zasilający.	W celu naprawy skontaktować się z miejscowym autoryzowanym punktem serwisowym.
	Układ napędowy nie działa poprawnie.	
Silnik przestaje działać po chwili użytkowania.	Przegrzanie.	Przerwać pracę, aby narzędzie ostygło.
Nie można uzyskać maksymalnych obrotów.	Układ napędowy nie działa poprawnie.	W celu naprawy skontaktować się z miejscowym autoryzowanym punktem serwisowym.
Element tnący nie obraca się: niezwłocznie wyłączyć urządzenie!	Obcy przedmiot, na przykład gałąź, zakleszczył się pomiędzy osłoną a elementem tnącym.	Usunąć obcy przedmiot.
	Poluzowana nakrętka noża.	Solidnie dokręcić nakrętkę zgodnie z opisem podanym w niniejszej instrukcji obsługi.
	Nóż jest wygięty.	Wymienić nóż.
	Układ napędowy nie działa poprawnie.	W celu naprawy skontaktować się z miejscowym autoryzowanym punktem serwisowym.
Nietypowe drgania: niezwłocznie wyłączyć urządzenie!	Jeden z końców nylonowej żyłki uległ uszkodzeniu.	Uderzyć wirującą żyłkową głowicą tnącą o ziemię, aby wysunąć żyłkę.
	Nóż jest wygięty, pęknięty lub zużyty.	Wymienić nóż.
	Poluzowana nakrętka noża.	Solidnie dokręcić nakrętkę zgodnie z opisem podanym w niniejszej instrukcji obsługi.
	Nóż jest zamocowany nieprawidłowo.	
Układ napędowy nie działa poprawnie.	W celu naprawy skontaktować się z miejscowym autoryzowanym punktem serwisowym.	
Element tnący i silnik nie chcą się zatrzymać: niezwłocznie odłączyć wtyczkę przewodu zasilającego od gniazda!	Usterka elektryczna lub elektroniczna.	Odłączyć wtyczkę przewodu zasilającego od gniazda, a następnie skontaktować się z miejscowym autoryzowanym punktem serwisowym w celu naprawy.

WYPOSAŻENIE DODATKOWE

OSTROŻNIE:

- Z opisanim w niniejszym podręczniku narzędziem marki Makita współpracują zalecane poniżej akcesoria i przystawki. Stosowanie innych akcesoriów lub przystawek grozi obrażeniami ciała. Akcesoria lub przystawki należy wykorzystywać wyłącznie do celów, do których zostały przeznaczone.

Więcej szczegółów na temat podanego wyposażenia dodatkowego można uzyskać w miejscowym punkcie serwisowym narzędzi Makita.

- Nóż
- Żyłkowa głowica tnąca
- Nylonowa żyłka (żyłka tnąca)
- Pas naramienny

UWAGA:

- Niektóre przedmioty z listy mogą stanowić wyposażenie standardowe i znajdować się razem z narzędziem w opakowaniu. Wyposażenie standardowe zależy od kraju.

Razlaga splošnega pogleda

1 Držalo za kabel	10 Rezalno orodje	20 Rezilo
2 Električni kabel (oblika se lahko razlikuje od države do države)	11 Ramenski pas	21 Vpenjalna podložka
3 Zadnji ročaj	12 Oblazinjenje	22 Kapa
4 Zaklepna ročica	13 Najučinkovitejše območje košnje	23 Matica
5 Sprožilno stikalo	14 Ročaj	24 Najlonska rezalna glava
6 Sprednji ročaj	15 Gumijasti del	25 Rezalnik kabla
7 Obešalnik (obešalna točka)	16 Notranje varovalo	26 Pokrov
8 Omejevalo	17 Zunanje varovalo	27 Obešalnik
9 Varovalo rezalnega orodja (ščitnik)	18 Sprejemna podložka	28 80 – 100 mm
	19 Okrogla palica	29 Tuljava

SPECIFIKACIJE

Model	UR2300	UR3502
Vrsta ročaja	Zankasti ročaj	
Skupna dolžina	1.630 mm	
Stalna vhodna moč	1.000 W	
Hitrost brez obremenitve	5.700 min ⁻¹	5.700 min ⁻¹
Rezalno orodje	Rezilo	Najlonska rezalna glava
Širina košnje	230 mm	350 mm
Neto teža	4.7 kg	4.9 kg
Varnostni razred	II/II	

- Zaradi nenehnega razvoja in raziskav se lahko tukaj navedeni tehnični podatki spremenijo brez vnaprejšnjega obvestila.
- Tehnični podatki se lahko razlikujejo od države do države.
- Teža glede na postopek EPTA 01/2003

Hrup	Povprečna raven zvočnega hrupa		Povprečna raven jakosti zvoka		Uporabni standard
Rezalno orodje	L _{PA} (dB(A))	Negotovost K (dB(A))	L _{WA} (dB(A))	Negotovost K (dB(A))	
Rezilo	80,8	2,5	93,45	1,23	EN 60335-1, EN 50636-2-91, EN ISO 11806
Najlonska rezalna glava	85,3	2,5	93,84	1,58	

- Nosite zaščito za ušesa.

Vibracije	Sprednji ročaj		Zadnji ročaj		Uporabni standard
Rezalno orodje	a _h (m/s ²)	Negotovost K (m/s ²)	a _h (m/s ²)	Negotovost K (m/s ²)	
Rezilo	2,856	1,5	2,712	1,5	EN 60335-1, EN 50636-2-91, EN ISO 11806
Najlonska rezalna glava	2,768	1,5	2,694	1,5	

- Navedena skupna vrednost vibracij je bila izmerjena v skladu s standardnim testnim načinom in se lahko uporablja pri primerjavi enega orodja z drugim.
- Navedena skupna vrednost vibracij se lahko prav tako uporablja pri predhodni oceni izpostavljenosti.

⚠ OPOZORILO:

- Vibracijske emisije med dejansko uporabo električnega orodja se lahko razlikujejo od deklarirane emisijske vrednosti, odvisno od načina uporabe orodja.
- Vselej določite varnostne ukrepe, da zaščitite upravljavca. Te morajo temeljiti na oceni izpostavljenosti v dejanskih pogojih uporabe (upoštevajoč vse dele obratovalnega ciklusa, kot so časi, ko je orodje izključeno in ko miruje, ter čas vklopa).

Simboli

V nadaljevanju so prikazani simboli, uporabljeni za opremo. Pred uporabo zagotovite, da razumete njihov pomen.

ES-IZJAVA O SKLADNOSTI

Samo za evropske države

ES-izjava o skladnosti je priložena v Prilogi A tem navodilom za uporabo.



- Bodite zelo previdni in pozorni.



- Preberite navodila za uporabo.



- Nevarnost; bodite pozorni na izvržene predmete.



- Razdalja med orodjem in osebami v bližini mora biti najmanj 15 m.



- Prisotne osebe naj ne bodo v neposredni bližini.



- Nosite čelado, očala in zaščito za sluh.



- Nosite zaščitne rokavice.



- Uporabljajte trdne čevlje z nedrsljivim podplatom. Priporočeni so varnostni škornji z jekeno kapico.



- Ne izpostavljajte vlagi.



- Če je kabel poškodovan ali zavozlan, ga izklopite iz električnega vtiča.



- Preprečite povratni udarec.



- Ohranjajte najm. razdaljo 15 m.



- DVOJNA IZOLACIJA



- Samo za države EU
Odpadne električne opreme ne mečite med gospodinjne odpadke!
Ob upoštevanju Evropske direktive o odpadni električni in elektronski opremi ter njeni uporabi v skladu z nacionalnimi zakoni je treba električna orodja po koncu njihove uporabne dobe zbirati ločeno in vrniti v obrat za recikliranje, ki je skladen z okolju prijaznimi zahtevami.

Splošna varnostna opozorila za električno orodje

⚠ OPOZORILO Preberite vsa varnostna opozorila in navodila. Če ne upoštevate varnostnih navodil, lahko pride do električnega udara, požara in/ali hude telesne poškodbe.

Shranite vsa opozorila in navodila za poznejšo uporabo.

Izraz "električno orodje" v opozorilih se nanaša na vaše električno orodje (s kablom) ali baterijsko električno orodje (brez kabla).

Varnost na delovnem mestu

1. **Delovno območje mora biti čisto in dobro osvetljeno.** Neurejena ali temna območja povečajo možnost nesreče.
2. **Ne uporabljajte električnega orodja v eksplozivnih območjih, kjer so prisotne vnetljive tekočine, plini ali prah.** Električna orodja ustvarjajo iskre, ki lahko vžgejo prah ali hlape.
3. **Otroci in prisotne osebe se ne smejo približevati upravljavcu električnega orodja med delom.** Motnje lahko povzročijo izgubo nadzora.

Električna varnost

4. **Vtič električnega orodja se mora ujemati z vtičnico.** Nikoli ne spreminjajte vtiča. Ne uporabljajte vmesniških vtičev z ozemljenim električnim orodjem. Nespremenjeni vtiči in ujemajoče se vtičnice bodo zmanjšali nevarnost električnega udara.
5. **Izogibajte se stiku z ozemljenimi površinami, kot so cevi, radiatorji, štedilniki in hladilniki.** Če je vaše telo ozemljeno, obstaja večja nevarnost električnega udara.
6. **Ne izpostavljajte električnega orodja dežju ali mokroti.** Voda, ki vdira v električno orodje, bo povečala nevarnost električnega udara.
7. **Ne zlorabljajte kabla.** Nikoli ne uporabljajte kabla za nošenje, vlečenje ali izklapljanje električnega orodja. Kabla ne približujte virom toplote, olju, ostrim robovom ali gibljivim delom. Poškodovani ali prepleteni kabli povečajo nevarnost električnega udara.
8. **Pri uporabi električnega orodja na prostem uporabite podaljšek, ki je primeren za uporabo na prostem.** Uporaba primernega kabla zmanjša nevarnost električnega udara.
9. **Če je uporaba električnega orodja v vlažnem okolju neizogibna, uporabite zaščitno napravo za diferencialni tok (RCD).** Uporaba naprave RCD zmanjša nevarnost električnega udara.
10. **Priporočena je uporaba električnega napajanja prek RCD-ja z nazivnim okvirnim tokom 30 mA ali manj.**

Osebna varnost

11. **Pri uporabi električnega orodja bodite pozorni in glejte, kaj počnete, ter uporabljajte zdrav razum.** Ne uporabljajte električnega orodja, če ste utrujeni ali pod vplivom drog, alkohola ali zdravil. Trenutek nepazljivosti med delom z električnim orodjem lahko povzroči resne telesne poškodbe.
12. **Uporabljajte osebno zaščitno opremo.** Vedno uporabljajte zaščito za oči. Uporaba zaščitne opreme (npr. protiprašna maska, nedrseči zaščitni čevlji, trdo pokrivalo ali zaščita za sluh) v primernih pogojih bo zmanjšala možnost telesnih poškodb.

13. **Preprečite nenameren zagon.** Pred priključitvijo vira napajanja in/ali akumulatorskega sklopa ali med dvigovanjem/prenašanjem orodja zagotovite, da je stikalo izklopljeno. Pri prenašanju električnega orodja s prstom na sprožilcu ali električnega orodja pod napetostjo z vklopljenim stikalom obstaja velika možnost nezgode.
14. **Preden vklopate električno orodje, odstranite vse prilagoditvene ključe.** Ključ, ki je ostal pritrdjen na vrtljivi del električnega orodja, lahko povzroči telesne poškodbe.
15. **Ne segajte predaleč.** Vselej pazite na ustrezno oporo in ravnotežje. To omogoča boljši nadzor nad električnim orodjem v nepričakovanih situacijah.
16. **Uporabljajte ustrezna oblačila.** Ne nosite ohlapnih oblačil ali nakita. Ne približujte las, obleke in rokavic gibljivim delom. Ohlapna oblačila, nakit in dolgi lasje se lahko zataknejo v premične dele.
17. **Če so naprave opremljene s priključki za odstranjevanje prahu in zbiralniki, zagotovite, da so ti priključki povezani in pravilno uporabljeni.** Uporaba zbiralnika prahu lahko zmanjša nevarnosti, povezane s prahom.

Uporaba in nega električnega orodja

18. **Pri uporabljanju električnega orodja ne uporabljajte prekomerne sile.** Uporabljajte ustrezno električno orodje. Ustrezno električno orodje bo pri predvideni hitrosti opravilo delo bolje in varneje.
 19. **Ne uporabljajte električnega orodja, ki ga ni mogoče vklopiti in izklopiti s stikalom.** Vsa električna orodja, ki jih ni mogoče nadzorovati s stikalom, so nevarna in jih je treba popraviti.
 20. **Preden napravite kakršne koli prilagoditve, zamenjate dodatno opremo ali električno orodje shranite, iztaknite vtičak iz vira napajanja in/ali odstranite baterijo.** Takšni preventivni zaščitni ukrepi zmanjšajo nevarnost nenamernega zagona električnega orodja.
 21. **Neuporabljeno električno orodje hranite izven dosega otrok in ne dovolite, da električno orodje uporabljajo osebe, ki niso seznanjene z električnim orodjem ali temi navodili.** Električna orodja so v rokah neusposobljenih oseb nevarna.
 22. **Električno orodje dobro vzdržujte.** Preverite morebitno napačno poravnanost ali zatikanje premikajočih se delov, zlomljene dele in vsa druga stanja, ki bi lahko vplivala na delovanje električnega orodja. Če je električno orodje poškodovano, ga je treba pred uporabo popraviti. Veliko nesreč se zgodi zaradi slabo vzdrževanega električnega orodja.
 23. **Rezalno orodje more biti ostro in čisto.** Ustrezno vzdrževano električno orodje z ostrimi rezalnimi robovi se ne bo zatikalo in ga je lažje upravljati.
 24. **Električno orodje, pripomočke in nastavke orodja itd. uporabljajte v skladu s temi navodili, pri tem pa upoštevajte delovne pogoje in delo, ki ga boste izvajali.** Uporaba električnega orodja za nepredvidena opravila lahko povzroči nevarne situacije.
- #### Servis
25. **Električno orodje lahko servisira samo usposobljen serviser, ki uporablja ustrezne nadomestne dele.** Tako bo zagotovljena varnost električnega orodja.

26. **Sledite navodilom za mazanje in menjavo pripomočkov.**
27. **Pazite, da bodo ročaji suhi, čisti in brez olja in masti.**

POMEMBNA VARNOSTNA NAVODILA

⚠ OPOZORILO! Preberite vsa varnostna opozorila in navodila. Če ne upoštevate varnostnih navodil, lahko pride do električnega udara, požara in/ali hude telesne poškodbe.

Shranite vsa opozorila in navodila za poznejšo uporabo.

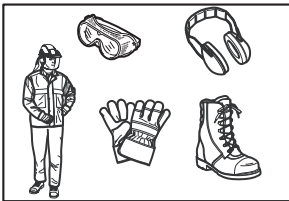
Predvidena uporaba

1. Kosilnica na nitko/obrezovalnik grmovja/obrezovalnik na nitko je predviden samo za košnjo trave, plevla, obrezovanje grmičevja in podrasti. Orodja ne uporabljajte v druge namene, razen na primer za rezanje robov in žive meje, saj v nasprotnem primeru lahko pride do poškodb.

Splošna navodila

1. Nikoli ne dovolite, da bi orodje uporabljale osebe, ki niso seznanjene s temi navodili, osebe (vključno z otroci) z zmanjšanimi fizičnimi, senzornimi ali psihičnimi sposobnostmi ali pomanjkanjem izkušenj in znanja. Otroke je treba nadzirati, da se ne igrajo z orodjem.
2. Pred začetkom uporabe orodja preberite ta uporabniški priročnik, da se seznanite z ravnanjem z orodjem.
3. Orodja ne posojajte osebi, ki nima zadostnih izkušenj ali znanja glede ravnanja z obrezovalnikom grmovja in obrezovalnikom na nitko.
4. Če orodje posodite, vselej priložite tudi navodila za uporabo.
5. Orodje uporabljajte zelo previdno in zbrano.
6. Orodja nikoli ne uporabljajte, če ste uživali alkohol ali droge ali če ste utrujeni ali bolni.
7. Orodja nikoli ne skušajte spremenjati.
8. Pazite, da se ne poškodujete na pripravi, nameščeni za prirezovanje nitke za košnjo. Ko izvilčete novo rezalno nitko, orodje vedno namestite nazaj v njegov običajni delovni položaj, preden ga vklopite.
9. Upoštevajte predpise za uporabo obrezovalnikov grmovja in kosilnic na nitko v vaši državi.

Osebnna zaščitna oprema



1. Uporabljajte varnostno čelado, zaščitna očala in zaščitne rokavice, da se zaščitite pred naokrog letečimi odrezki ali padajočimi predmeti.
2. Nosite zaščito za sluh, kot so npr. glušniki, da preprečite izgubo sluha.
3. Nosite ustrezna oblačila in čevlje za varno delo, kot so delovni kombinizon in ojačani čevlji s protizdrsним podplatom. Ne nosite ohlapnih oblačil ali nakita. Ohlapna oblačila, nakit ali dolgi lasje se lahko zataknejo v premikajoče se dele.

4. Pri dotikanju rezila nosite zaščitne rokavice. Na rezilih si lahko močno porežete nezaščitene dlani.

Varnost na delovnem mestu

1. Orodje uporabljajte pri dobri vidljivosti in samo podnevi. Orodja ne uporabljajte v mraku ali megli.
2. Orodja ne uporabljajte v eksplozivnih ozračjih, npr. v bližini vnetljivih tekočin, plinov ali prahu. Orodje proizvaja iskre, ki lahko zanetijo prah ali hlape.
3. Med delom nikoli ne stojte na nestabilni ali spolzki površini ali strmem klancu. V mrzli sezoni bodite pozorni na led in sneg in vedno ohranajte stabilen položaj.
4. Med delom morajo biti druge osebe ali živali najmanj 15 m proč od orodja. Orodje zaustavite takoj, ko se vam kdo približa.
5. Pred začetkom dela pregledajte delovno območje, če so na njem kamni ali drugi trdi predmeti. Naprava jih lahko namreč zagrabi in izvrže ali pa udarijo nazaj in povzročijo resne telesne poškodbe in/ali gmotno škodo.
6. **⚠ OPOZORILO:** Pri uporabi tega izdelka se lahko dviga prah, ki vsebuje kemikalije, katere lahko povzročijo dihalne ali druge bolezni. Nekateri primeri teh kemikalij so zmesi, ki jih najdemo v pesticidih, insekticidih, gnojilih in herbicidih. Vaše tveganje pri teh izpostavljenostih se razlikuje glede na to, kako pogosto izvajate to vrsto dela. Za zmanjšanje izpostavljenosti tem kemikalijam: delajte v dobro prezračenem območju in z odobreno varnostno opremo, kot so protiprašne maske, zasnovane posebej za filtriranje mikroskopskih delcev.

Električna varnost

1. **Vtiči električnega orodja se morajo ujemati z vtičnico. Vtiča nikoli ne spreminjajte. Z ozemljenimi električnimi orodji ne uporabljajte adapterskih vtičev.** Nespremenjeni vtiči in ujemajoče se vtičnice zmanjšajo tveganje električnega udara.
2. **Preprečite stik telesa z ozemljenimi površinami, kot so cevi, radiatorji, štedilniki in hladilniki.** Obstaja namreč povečana nevarnost električnega udara, če je vaše telo ozemljeno.
3. Orodja ne izpostavljajte dežju ali mokrim pogojem. Voda, ki pride v orodje, bo povečala tveganje električnega udara.
4. **Ne zlorablajte kabla.** Kabla nikoli ne uporabljajte za prenašanje, vlečenje ali izklapljanje električnega orodja iz vtičnice. Kabla ne približujte vročini, olju, ostrim robovom ali premikajočim se delom. Poškodovani ali zavozlani kabli povečajo nevarnost električnega udara.
5. Ne uporabljajte orodja, če stikala ni mogoče vključiti in izključiti. Vsako orodje, ki ga ni mogoče upravljati s stikalom, je nevarno in ga je treba popraviti.
6. **Pri uporabi električnega orodja na prostem, uporabljajte podajševalni kabel, primeren za uporabo na prostem.** Uporaba kabla, primerne za zunanjo uporabo, zmanjša nevarnost električnega udara.
7. **Če je uporaba električnega orodja v vlažnem okolju neizogibna, uporabite vir napajanja, ki je zaščiten z napravo za okvami tok (RCD).** Uporaba RCD-ja zmanjša nevarnost električnega udara.
8. **Priporočena je uporaba električnega napajanja prek RCD-ja z nazivnim okvarnim tokom 30 mA ali manj.**

9. Preprečite nenamerni vklop naprave. Zagotovite, da je stikalo na izključenem položaju, preden orodje priključite v vir napajanja, ga dvignete ali prenašate. Če imate med prenašanjem električnega orodja prst na stikalo ali napajate orodje pri vklopljenem stikalu, to lahko privede do nesreč.
10. Pred uporabo preverite, ali so na napajalnem in podaljševalnem kablu znaki poškodb ali staranja.
11. Če se kabel med uporabo poškoduje, ga nemudoma izključite iz električnega napajanja. **Ne dotikajte se kabla, dokler ga ne izključite iz električnega napajanja.**
12. Orodja ne uporabljajte, če so kabli poškodovani ali obrabljeni.
13. Podaljševalnega kabla ne približujte rezalnim elementom.
9. Delajte premore, da ne izgubite nadzora nad napravo zaradi utrujenosti. Priporočamo 10- do 20-minutne odmore na uro.
10. Če orodje pustite samo, četudi samo za kratek čas, vedno izvlecite električni vtič. Če orodje pustite priključeno v električno omrežje brez nadzora, ga lahko uporabi nepooblaščen oseba, kar lahko privede do resnih nesreč.
11. Če se trava ali veje zataknejo med rezalni priključek in varovalo, vedno izključite orodje in izvlecite električni vtič, preden orodje očistite. Sicer se lahko rezalni priključek nehote zavrti in vas poreže.
12. Če rezalni priključek udari ob kamne ali druge trde predmete, takoj izključite orodje. Nato izvlecite električni vtič in preglejte rezalni priključek.
13. Med delom pogosto preverjajte rezalni priključek, če je razpokan ali poškodovan. Pred pregledom izvlecite električni vtič in počakajte, da se rezalni priključek povsem zaustavi. Takoj zamenjajte poškodovani rezalni priključek, četudi ima samo površinske razpoke.
14. Nikoli ne kosite nad višino pasu.
15. Pred začetkom košnje počakajte, da rezalni priključek doseže konstantno hitrost po vklopu orodja.
16. Pri uporabi kovinskih rezil orodje enakomerno premikajte v polkrogu od desne proti levi, kot bi uporabljali koso.
17. Orodje držite samo za izolirane površine ročaja, ker se lahko rezilo dotakne skritih napeljav. Rezilo, ki se dotakne žice pod napetostjo, lahko povzroči, da izpostavljeni kovinski deli električnega orodja začnejo prevajati elektriko, s tem pa uporabniku grozi nevarnost udara električnega toka.
18. Vedno zagotovite, da v prezačevalnih odprtinah ni tujkov.

Zagon orodja

1. Pred sestavo ali nastavitvijo orodja izklopite vtič iz električnega vira.
2. Pred ravnanjem z rezilom si nadenite zaščitne rokavice.
3. Pred priklopom v električno omrežje preglejte orodje, če je poškodovano, ima zrahljane vijake/matice in ali je pravilno sestavljeno. Nabrasite topo rezilo. Če je rezilo zvito ali poškodovano, ga zamenjajte. Preverite, ali vse nadzorne ročice in stikala nemoteno delujejo. Očistite in osušite ročaje.
4. Orodja nikoli ne poskusite vključiti, če je poškodovano ali ni povsem sestavljeno. Sicer lahko pride do resnih poškodb.
5. Odstranite morebitne nastavitvene ali matične ključe preden vključite orodje. Če ključ pustite pritrjen na vrtečem se delu orodja, lahko pride do telesnih poškodb.
6. Prilagodite ramenski pas in ročaj glede na velikost uporabnika.
7. Pri priklopu v električno omrežje rezalni priključek držite proč od telesa in drugih predmetov, vključno s tlemi. Ob zagonu se lahko namreč začne vrteti in povzroči telesne poškodbe ali škodo na orodju in/ali lastnini.

Delovanje

1. V nujnem primeru takoj izključite orodje.
2. Če med delom občutite kakršno koli neobičajno stanje (npr. hrup, vibracije), izključite orodje. Ne uporabljajte orodja, dokler ne najdete in odpravite vzroka.
3. Opozorilo. Rezalni priključek se kratek čas po izklopu orodja še vedno vrti. Počakajte, da se ustavi, preden se ga dotaknete.
4. Med delom uporabljajte ramenski pas. Orodje čvrsto držite na desni strani.
5. Ne segajte predaleč. Med delom ohranjajte stabilnost. Bodite pozorni na skrite ovire, kot so drevesni štori, korenine in jarki, da se ne spotaknete.
6. Nikoli ne delajte na lestvi ali drevesu, da ne izgubite nadzora.
7. Pred uporabo naprave in po vsakem močnem udarcu ali padcu preverite stanje naprave, preden nadaljujete z delom. Preverite, ali upravljalni elementi in varnostne naprave pravilno delujejo. Če opazite poškodbe ali ste v dvomih, prosite pooblaščen servisni center za pregled in popravilo.
8. Ne dotikajte se pogonskega ohišja. Pogonsko ohišje se med delovanjem močno segreje.

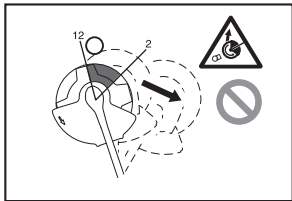
Rezalni priključki

1. Uporabite primeren rezalni priključek kosilnice glede na delo, ki ga boste opravljali.
 - Najlonske rezalne glave (glave z nitko) so primerne za košnjo trate.
 - Kovinska rezila so primerna za košnjo plevela, visoke trave, grmičevja, goščave, podrasti ipd.
 - Nikoli ne uporabljajte drugih rezil, vključno s kovinskimi večdelnimi vrtljivimi verigami in cepilnimi rezili. Lahko se resno poškodujete.
2. Vedno uporabljajte varovalo rezalnega priključka, ki bo primerno za uporabljeni priključek.
3. Na kovinske rezalne elemente nikoli ne nameščajte najlonskih.
4. Pri uporabi kovinskih rezil bodite pozorni na "povratni udarec" in bodite vedno pripravljene na nezgodni povratni udarec. Glejte poglavje "Povratni udarec".

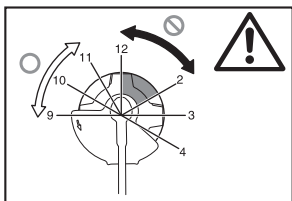
Povratni udarec (sunek rezila)

1. Povratni udarec (sunek rezila) je nenadna reakcija na zagozdeno ali zvito rezilo. Ko se to zgodi, orodje z večjo silo odvrže v stran ali proti upravljavcu in lahko povzroči telesne poškodbe.

- Povratni udarec se zgodi predvsem, če se s segmentom rezila dotaknete trdih predmetov, grmovja in dreves s premerom 3 cm ali več pod kotom 12. in 2. ure, gledano po urinem kazalcu.



- Da preprečite povratni udarec:
 - segment držite na položaju med 8. in 11. uro, gledano po urinem kazalcu;
 - segmenta nikoli držite na položaju med 12. in 2. uro, gledano po urinem kazalcu;
 - z rezalnim segmentom se predmeta nikoli ne dotaknite pod kotom 11. in 12. ure in 2. in 5. ure, razen če je uporabnik dobro usposobljen in izkušen in s tem ne ogroža lastnega zdravja;
 - rezil ne držite blizu trdih predmetov, kot so ograje, zidovi, drevesna debela in kamni;
 - rezila nikoli ne uporabljajte navpično, na primer pri robljenju in rezanju grmovja.



Vibracije

- Ljudje s slabo prekrvavitvijo, ki so izpostavljeni prekomernim vibracijam, lahko dobijo poškodbe krvnih žil ali živčnega sistema. Vibracije lahko povzročijo, da se v prstih, dlaneh ali zapestjih pojavijo naslednji simptomi: "omrtvljenost" (otopelost), mravljinca, bolečina, občutek zbadanja, sprememba barve kože ali kože. Če se vam pojavijo kateri od teh simptomov, pojdite k zdravniku!
- Za zmanjšanje nevarnosti "boleznih belih prstov" morate roke med delom ohranjati tople, orodje in dodatke pa dobro vzdrževati.

Transport

- Pred transportom orodja le-tega izključite in izvlecite električni vtič. Pritrdite pokrov na rezilo.
- Pri prenašanju orodje nosite v vodoravnem položaju in ga držite za ročaj.
- Kadar orodje prevažate v vozilu, ga dobro pritrdite, da se ne prevrne. Sicer se lahko orodje in druga prtljaja poškodujejo.

Vzdrževanje

- Orodje naj vam servisira naš pooblaščen servisni center in vselej z originalnimi nadomestnimi deli. Nepravilna popravila in slabo vzdrževanje lahko skrajšajo življenjsko dobo orodja in povečajo tveganje nesreč.

- Pred kakršnim koli vzdrževanjem ali popravilom oz. čiščenjem orodja, le-tega vedno izključite in izvlecite vtič iz vtičnice.
- Pri ravnanju z rezilom vedno nosite zaščitne rokavice.
- Vedno z orodja očistite prah in umazanijo. Nikoli za čiščenje ne uporabljajte bencina, razredčila, alkohola in podobnih sredstev. Lahko namreč pride do razbarvanja, deformacije ali razpok plastičnih komponent.
- Po vsaki uporabi privijte vse vijake in maticе.
- Ne poskušajte izvajati vzdrževalnih del ali popravil, ki niso opisana v tem priročniku. Za tovrstno delo se obrnite na naš pooblaščen servisni center.
- Vedno uporabljajte samo naše originalne nadomestne dele in dodatke. Uporaba nadomestnih delov ali dodatkov tretjih oseb lahko vodi do okvare orodja, gmotne škode in/ali resnih poškodb.
- Za redni pregled in vzdrževanje orodja se obrnite na naš pooblaščen servisni center.

Shranjevanje

- Pređen orodje shranite, ga v celoti očistite in opravite vzdrževanje. Izvlecite električni vtič. Pritrdite pokrov na rezilo.
- Orodje hranite na suhem in visokem ali zaklenjenem mestu izven dosega otrok.
- Orodja ne naslonite npr. ob zid. Lahko namreč nenadoma pade in povzroči poškodbe.

Prva pomoč

- V bližini vedno imejte pribor za prvo pomoč. Vsak uporabljen del iz pribora za prvo pomoč je treba takoj nadomestiti z novim.
- V primeru klica v sili sporočite naslednje podatke:
 - kraj nesreče;
 - kaj se je zgodilo;
 - število poškodovanih oseb;
 - vrsta poškodbe;
 - svoje ime.

TA NAVODILA SKRBN OHRANITE.

⚠ OPOZORILO:

NE dovolite, da bi udobje ali poznavanje izdelka (pridobljeno s ponavljajočo uporabo) nadomestilo strogo upoštevanje varnostnih pravil za zadevni izdelek. ZLORABA ali neupoštevanje varnostnih pravil, navedenih v tem priročniku, lahko vodi do resnih telesnih poškodb.

OPIS DELOV (Slika 1)

OPIS FUNKCIJ

⚠ OPOZORILO:

• **Pred nastavitvijo ali pregledom funkcij na orodju vedno izključite orodje in ga izklopite iz električnega omrežja.** Če orodja ne izključite in odklopite lahko pride do resnih telesnih poškodb zaradi nezgodnega zagona.

Delovanje stikala za vklop/izklop (Slika 2)

⚠ OPOZORILO:

- Pred priklopom orodja vedno preverite, ali se sprožilo stikala pravilno aktivira in vrne na "IZKLUJČEN" položaj, ko ga izpustite. Sprožila stikala ne vlecite premočno, ne da bi premikali tudi zaklepno ročico. Drugače se lahko stikalo zlomi. Uporaba orodja s stikalom, ki se ne aktivira pravilno, lahko vodi do izgube nadzora in resnih telesnih poškodb.

Da preprečite nezgodno aktiviranje sprožila stikala, je nameščena zaklepna ročica.

Za zagon orodja potisnite zaklepno ročico naprej in nato povlecite sprožilo stikala. Izpustite sprožilo stikala, da se zavstavi.

Namestitev rezalne glave (Slika 3)

OPOMIN:

- Ne skušajte nitke napeljati v glavo z dotikom glave s tlemi, ko orodje deluje z visoko hitrostjo. Napeljava nitke z dotikom glave s tlemi lahko povzroči poškodbo najlonske rezalne glave.
- Napeljevanje nitke z dotikom glave s tlemi ne bo delovalo pravilno, če se glava ne bo vrtela.

OPOMBA:

- Standardni dodatki se razlikujejo glede na model in državo.

Najlonska rezalna glava je dvojna glava kosilnice, ki ima podajalni mehanizem in mehanizem za napeljevanje nitke z dotikom glave s tlemi.

Za napeljavo najlonske nitke z rezalno glavo rahlo udarite ob tla, ko se rezalna glava vrti.

OPOMBA:

- Če se pri tem najlonska nitka ne napelje, navijte/zamenjajte najlonsko nitko, kot je opisano v postopkih v poglavju "Vzdrževanje".

Držalo za kabel (Slika 4)

Z električnim kablom naredite majhno zanko in kabel obesite na držalo za kabel.

SESTAVA

⚠ OPOZORILO:

- Vedno zagotovite, da je orodje izključeno in izklopljeno, preden začnete z delom na orodju. Če orodja ne izključite in odklopite lahko pride do resnih telesnih poškodb zaradi nezgodnega zagona.
- Orodja nikoli ne zaženite, če ni povsem sestavljeno. Uporaba orodja v delno sestavljenem stanju lahko vodi do resnih poškodb zaradi nezgodnega zagona.

Namestitev ročaja (Slika 5)

⚠ OPOZORILO:

- Ne odstranite ali skritejite distančnika ali oblazinjenja. Distančnik ohranja določeno razdaljo med obema rokama. Če sestav ročaja/prepreke namestite blizu drugega ročaja prek dolžine distančnika, lahko izgubite nadzor nad orodjem in se resno poškodujete.

Ročaj in omejevalo namestite na gumijasti del na cevi. Prilagodite položaj ročaja in ga nato fiksirajte s štirimi vijaki.

Odobrena kombinacija rezalnega orodja in zaščitne opreme

⚠ OPOZORILO:

- Orodje vedno uporabljajte z odobreno kombinacijo zaščitne opreme. Sicer lahko stik z rezalnim orodjem povzroči resne poškodbe.
- Orodja nikoli ne uporabljajte brez prikazanega varovala. Sicer lahko pride do resnih telesnih poškodb.

OPOMBA:

- Standardni dodatki se razlikujejo glede na model in državo.

Za rezilo (Slika 6)

Za najlonsko rezalno glavo (Slika 7)

Namestitev varovala za rezilo (Slika 8)

1. Poravnajte luknje na notranjem varovalu in luknje na pogonskem ohišju.
2. Nato jih pritrдите s tremi vijaki.

Namestitev varovala za najlonsko glavo

⚠ POZOR:

- Pazite, da se ne poškodujete na rezilu za rezanje najlonske nitke.
- Pred uporabo ne pozabite odstraniti varovala rezila.

1. Poravnajte štiri vijake na zunanjem varovalu z luknjami na notranjem varovalu. (Slika 9)
2. Zategnite jih s štirimi vijaki.
3. Poravnajte luknje na notranjem varovalu in luknje na pogonskem ohišju.
4. Zategnite jih z vijaki. (Slika 10)

Namestitev rezila

⚠ OPOZORILO:

- Zunanji premer rezila mora biti 230 mm. Nikoli ne uporabljajte rezila, katerega zunanji premer je večji od 230 mm.

⚠ POZOR:

- Rezilo mora biti dobro zloščeno, brez razpok ali zlomov. Rezilo zloščite ali zamenjajte po vsakih treh urah uporabe.
- Pri ravnanju z rezilom vedno nosite rokavice.
- Ko orodja ne uporabljate ali kadar ga prenašate, vedno namestite pokrov rezila.
- Pritrdilna matica rezila se s časom obrabi. Če je videti obrabljena ali deformirana, jo zamenjajte. Za naročilo se obrnite na pooblaščen servisni center.

OPOMIN:

- Vedno uporabljajte originalno rezilo.

Orodje obrnite na glavo tako, da lahko enostavno namestite rezilo. (Slika 11)

1. Zamenjate sprejemno tesnilo na os.
2. Obračajte sprejemna podložka, dokler utor na njej ne bo poravnal z utorom na pogonskem ohišju.
3. Vstavite okroglo palico skozi oba utora tako, da se sprejemna podložka ne more vrteti.
4. Namestite rezilo na sprejemna podložka.
5. Namestite vpenjalna podložka na rezilo.
6. Namestite kapo na rezilo.
7. Vse zategnite z matico, ki jo vrtite v levo, pri čemer držite za okroglo palico.

Za odstranitev rezila izvedite zgornje korake v obratnem vrstnem redu.

Namestitev najlonske rezalne glave (Slika 12)

OPOMIN:

- Vselej uporabljajte originalno najlonsko rezalno glavo.
- Orodje obrnite na glavo tako, da lahko enostavno zamenjate najlonsko rezalno glavo.

OPOMBA:

- Pred uporabo odstranite pokrov z rezalnika nitke.
1. Namestite sprejemno tesnilo na os.
 2. Obračajte sprejemna podložka, dokler utor na njej ne bo poravnal z utorom na pogonskem ohišju.
 3. Vstavite okroglo palico skozi oba utora tako, da se sprejemna podložka ne more vrteti.
 4. Pritrдите najlonsko rezalno glavo tako, da jo vrtite v levo.
 5. Ko namestite najlonsko rezalno glavo, odstranite okroglo palico.

Pri odstranjevanju najlonske glave sledite zgornjim korakom v obratnem vrstnem redu.

DELOVANJE

Pravilno ravnanje z orodjem (Slika 13)

Pravilna drža

OPOZORILO:

- **Orodje vedno držite na desni strani tako, da bo omejevalo vedno pred vašim telesom.** Pravilna postavitev orodja omogoča najboljši nadzor in zmanjša tveganje resnih telesnih poškodb zaradi povratnega udarca.

POZOR:

- **Če med delom rezalno orodje slučajno trči ob kamen ali trd predmet, zaustavite orodje in ga pregledajte, če se je poškodovalo. Če je rezalno orodje poškodovano, ga takoj zamenjajte.** Uporaba poškodovanega rezalnega orodja lahko privede do resnih telesnih poškodb.

Namestite ramenski pas na levo ramo tako, da glavo in desno roko date skozi pas, orodje pa naj vam visi na desni strani, pri čemer mora biti omejevalo vedno pred vašim telesom.

Pritrditev ramenskega pasu (Slika 14)

Prilagodite dolžino pasu tako, da bo rezalno orodje vzporedno s tlemi.

Povežite obešalnik in pas.

OPOZORILO:

- **Bodite zelo previdni in vedno ohranjajte nadzor nad orodjem. Ne dovolite, da se orodje odkloni proti vam ali drugi osebi v bližini.** Če ne boste ohranili nadzora nad orodjem, lahko pride do resnih poškodb oseb v bližini in uporabnika.

Prilagoditev položaja obešalnika in ramenskega pasu (Slika 15)

Prilagodite položaj obešalnika, kot je prikazano. (Slika 16)

Če želite spremeniti položaj obešalnika, zrahljajte vijak na obešalniku. Nato obešalnik prestavite.

Ko prilagodite njegov položaj, zategnite vijak s ključem.

VZDRŽEVANJE

OPOZORILO:

- **Pred pregledom ali vzdrževanjem orodja vedno izključite orodje in ga izklopite iz električnega omrežja.** Če orodja ne izključite in odklopite lahko pride do resnih telesnih poškodb zaradi nezgodnega zagona.

OPOMIN:

- Nikoli ne uporabljajte bencina, benzena, razredčila, alkohola ipd. Pojavijo se lahko razbarvanja, deformacije ali razpoke.

Zamenjava najlonske nitke (Slika 17)

OPOZORILO:

- **Pred začetkom dela zagotovite, da je najlonska rezalna glava pravilno pritrjena na orodje.** Če najlonske rezalne glave ne boste pravilno pritrčili, se lahko razleti in povzroči resne telesne poškodbe.

1. Odstranite najlonsko rezalno glavo.
2. Snemite pokrov, pri čemer pritisnite na zapaha, tj. režasti del na nasprotnih straneh kape.
3. Odstranite tuljavo. Nato iz tuljave odstranite staro najlonsko nitko.
4. Najlonsko nitko narežite na dolžino 3 – 6 m. Zložite jo na polovico, pri čemer naj bo ena polovica za 80 – 100 mm daljša od druge. (Slika 18)
5. Obesite sredino nove najlonske nitke v utor na sredini tuljave med dvema kanaloma, predvidenima za najlonsko nitko. (Slika 19)
6. Oba konca čvrsto napeljite po kanalih v smeri, prikazani s puščico na tuljavi. (Slika 20)
7. Napeljite najlonsko nitko skozi ušesca, da bo prišla ven iz kape.
8. Poravnajte izboklino na spodnji strani pokrova z režami ušesc. Nato pokrov čvrsto pritisnite na kapo, da ga fiksirate. Zagotovite, da sta zapaha povsem razprta v pokrovu.

Za vzdrževanje VARNOSTI in ZANESLJIVOSTI izdelka lahko popravila in druga vzdrževanja ali nastavitve izvajajo samo v pooblaščenem servisnem centru Makita in vselej z nadomestnimi deli Makita.

INTERVAL VZDRŽEVANJA

Deli:	Interval:	Kako:
Napajalni kabel	Pred vsako uporabo	Vizualno preglejte, da ni močne obrabe ali poškodb. V primeru poškodb se za popravilo obrnite na lokalni servisni center.
Vijak pomožnega ročaja	Pred vsako uporabo	Preverite, da vijak ni zrahljan. Če je zrahljan, ga privijte. Zamenjajte vijak, če je poškodovan.
Varovalo rezalnega orodja (ščitnik)	Pred vsako uporabo	Preverite, da vijak ni zrahljan in ščitnik poškodovan. Če je vijak zrahljan, ga privijte. Zamenjajte ščitnik, če je poškodovan.
Rezilo	Vsakih 10 h	Po vsaki uporabi namažite s protikorozijskim oljem. Preverite, da ni poškodb. Zamenjajte v primeru poškodb.
Najlonska rezalna glava	Vsakih 10 h	Vizualno preglejte, da ni močne obrabe ali poškodb. Če je poškodovana, jo takoj zamenjajte.
Pogonska gred	Vsakih 10 h	Namažite s protikorozijskim oljem.

ODPRAVLJANJE NAPAK

Preden prosite za popravilo, najprej orodje preglejte sami. Če naletite na težavo, ki ni razložena v tem priročniku, orodja ne skušajte razstaviti. V tem primeru se obrnite na pooblaščen servisni center Makita, ki za popravila vedno uporablja nadomestne dele Makita.

Stanje napake	Vzrok	Ukrep
Motor se ne zažene.	Električni vtič ni vtaknjen.	Vključite vtič.
	Električni kabel je zlomljen.	Za popravilo se obrnite na pooblaščenega serviserja.
	Pogonski sistem ne deluje pravilno.	
Motor po krajšem času uporabe preneha delovati.	Pregrevanje.	Prenehajte uporabljati, da se orodje ohladi.
Ne doseže največje hitrosti.	Pogonski sistem ne deluje pravilno.	Za popravilo se obrnite na pooblaščenega serviserja.
Rezalno orodje se ne vrti: takoj zaustavite napravo!	Tujek, kot je veja, je verjetno zagozden med varovalo in rezalno orodje.	Odstranite tujek.
	Pritrdilna matica rezila je zrahljana.	Pravilno zategnite matico, kot je opisano v tem priročniku.
	Rezilo je zvito.	Zamenjajte rezilo.
	Pogonski sistem ne deluje pravilno.	Za popravilo se obrnite na pooblaščenega serviserja.
Neobičajne vibracije: takoj zaustavite napravo!	En konec najlonske nitke se je zlomil.	Udarite z rezalno glavo ob tla, ko se glava vrti, da se nitka premakne.
	Rezilo je zvito, razpokano ali obrabljeno.	Zamenjajte rezilo.
	Pritrdilna matica rezila je zrahljana.	Pravilno zategnite matico, kot je opisano v tem priročniku.
	Rezilo ni pravilno pritrjeno.	
	Pogonski sistem ne deluje pravilno.	Za popravilo se obrnite na pooblaščenega serviserja.
Rezalno orodje in motor se ne zaustavita: Takoj izklopite električni vtič!	Električna ali elektronska napaka.	Izklopite električni vtič in za popravilo prosite pooblaščenega serviserja.

DODATNA OPREMA



POZOR:

- Ti dodatki ali priključki so priporočeni za uporabo z orodjem Makita, specificiranim v tem priročniku. Uporaba drugih dodatkov ali priključkov lahko predstavlja tveganje za telesne poškodbe. Uporabljajte samo dodatke ali priključke, predvidene za zadevni namen.

Če potrebujete pomoč in več podrobnosti glede teh dodatkov, se posvetujte s svojim lokalnim servisnim centrom Makita.

- Rezilo
- Najlonska rezalna glava
- Najlonska nitka (rezalna nitka)
- Ramenski pas

OPOMBA:

- Nekateri elementi na seznamu so lahko serijsko priloženi orodju. Lahko se razlikujejo od države do države.

Shpjegimi i pamjes së përgjithshme

1 Mbajtësi i kabllos	10 Vegla prerëse	22 Kupa
2 Kordoni i rrymës elektrike (forma mund të ndryshojë nga njëri vend tek tjetri)	11 Rripi i supit	23 Dado
3 Doreza e pasme	12 Amortizator	24 Kokë prerëse prej najloni
4 Leva bllokuese	13 Zona prerëse më efikase	25 Prerësi i kordonit
5 Këmbëza e çelësit	14 Doreza	26 Mbulesa
6 Doreza e përparme	15 Pjesa e gomuar	27 Varësja
7 Varësja (pika e varjes pezull)	16 Mbrojtës i brendshëm	28 80 – 100 mm
8 Pengesa	17 Mbrojtës i jashtëm	29 Bobina
9 Mbrojtësja e veglës prerëse (mbrojtëse)	18 Rondele hyrëse	
	19 Shufër e rumbullakët	
	20 Teh	
	21 Rondelë shtrënguese	

SPECIFIKIMET

Modeli	UR2300	UR3502
Tipi i dorezës	Doreza me lak	
Gjatësia e përgjithshme	1 630 mm	
Tensioni i vazhdueshëm në hyrje	1 000 W	
Xhiroja pa ngarkesë	5 700 min ⁻¹	5 700 min ⁻¹
Vegla prerëse	Teh prerës	Kokë prerëse prej najloni
Gjerësia e prerjes	230 mm	350 mm
Pesha neto	4,7 kg	4,9 kg
Xhami i sigurisë	☐/II	

- Për arsye se programi ynë i kërkimit dhe zhvillimit është në vazhdim, specifikimet e përbajtura mund të ndryshojnë pa njoftim paraprak.
- Specifikimet mund të ndryshojnë nga njëri vend tek tjetri.
- Pesha është në pajtim me Procedurën 01/2003 të EPTA-s

Zhurma	Mesatarja e nivelit të presionit të zhurmës		Mesatarja e nivelit të fuqisë së zhurmës		Standardi i zbatueshëm
	L _{PA} (dB(A))	K e paqartë (dB(A))	L _{WA} (dB(A))	K e paqartë (dB(A))	
Vegla prerëse					
Teh prerës	80,8	2,5	93,45	1,23	EN 60335-1, EN 50636-2-91, EN ISO 11806
Kokë prerëse prej najloni	85,3	2,5	93,84	1,58	

- Mbani kujfe mbrojtëse.

Dridhjet	Mbërthimi i përparmë		Mbërthimi i pasmë		Standardi i zbatueshëm
	a _n (m/s ²)	K e paqartë (m/s ²)	a _n (m/s ²)	K e paqartë (m/s ²)	
Vegla prerëse					
Teh prerës	2,856	1,5	2,712	1,5	EN 60335-1, EN 50636-2-91, EN ISO 11806
Kokë prerëse prej najloni	2,768	1,5	2,694	1,5	

- Vlera e deklaruar e dridhjeve të emetuara është matur në pajtim me metodën standarde të testimit dhe mund të përdoret për krahasimin e një vegle me një tjetër.
- Vlera e deklaruar e dridhjeve të emetuara mund të përdoret edhe në vlerësimin paraprak të ekspozimit.

PARALAJMËRIM:

- Emetimi i dridhjeve gjatë përdorimit aktual të veglës motorike mund të ndryshojë nga vlera e deklaruar e dridhjeve të emetuara mbi mënyrat në të cilat përdoret vegla.
- Sigurohuni që të dalloni masat mbrojtëse të sigurisë për mbrojtjen e përdoruesit që bazohen në përlogaritjen e ekspozimit në kushtet aktuale të përdorimit (duke marrë parasysh të gjitha pjesët e ciklit të operimit si koha kur vegla është e fikur dhe kur funksionon në gjendje boshe krahas kohës së punës).

Simbolet

Më poshtë jepen simbolet e përdorura për pajisjen. Sigurohuni që kuptoni domethënien e tyre para përdorimit.



- Bëni kujdes dhe kini vëmendje të veçantë.



- Lexoni manualin e udhëzimit.



- Rrezik; kini kujdes nga objektet e flakura.



- Distanca ndërmjet veglës dhe kalimtarëve duhet të jetë të paktën 15 m.



- Mbajini kalimtarët larg.



- Mbani një helmë, syze mbrojtëse dhe kufje mbrojtëse.



- Mbani doreza mbrojtëse.



- Mbani çizme të forta me sholla që nuk rrëshqasin. Rekomandohet përdorimi i çizmeve të sigurisë.



- Mos e ekspozoni në lagështirë.



- Stakojeni fishën nga priza elektrike nëse kordoni dëmtohet ose ngatërrohet.



- Shmangni zbrapsjen.



- Mbani një distancë prej të paktën 15 m.



• **IZOLIM I DYFISHTË**



- Vetëm për vendet e BE-së
Mos i flakni mbetjet elektrike bashkë me mbeturinat shtëpiake!
Në përputhje me Direktivën Evropiane mbi Mbetjet Elektrike dhe Pajisjet Elektronike dhe zbatimin e tij sipas ligjin kombëtar, pajisjet elektrike që kanë arritur fundin e jetëgjatësisë duhet të mblidhen veçmas dhe të dërgohen në një vend ku bëhet riciklimi duke respektuar mjedisin.

DEKLARATA E KONFORMITETIT ME KE-NË

Vetëm për shtetet evropiane

Deklarata e konformitetit të KE-së përshihet në Shtojcën A të këtij manuali të udhëzimit.

Paralajmërimet e përgjithshme për sigurinë e veglës

⚠ PARALAJMËRIM Lexoni të gjitha paralajmërimet dhe udhëzimet e sigurisë. Moszbatimi i paralajmërimeve dhe udhëzimeve mund të shkaktojë goditje elektrike, zjarr dhe/ose lëndim të rëndë.

Ruajini të gjitha paralajmërimet dhe udhëzimet për të ardhmen.

Termi "vegël elektrike" në paralajmërimet i referohet veglës elektrike që përdoret e lidhur në prizë (me kordon) ose veglës së përdorur me bateri (pa kordon).

Siguria në zonën e punës

1. **Mbajeni zonën e punës të pastër dhe të ndriçuar mirë.** Zonat e ngarkuara ose të errëta provokojnë aksidente.
2. **Mos i përdorni veglat elektrike në mjedise shpërthyes, si p.sh. në praninë e lëngjeve, gazeve ose pluhurave të djegshme.** Veglat elektrike krijojnë shkëndija të cilat mund të ndezin pluhurin ose avujt.
3. **Mbajini larg fëmijët dhe personat aty pranë ndërkohë që përdorni veglën elektrike.** Shpërqendrimi mund të shkaktojë humbje të kontrollit.

Siguria elektrike

4. **Spina e veglës elektrike duhet të përshtatet me prizën. Asnjëherë dhe në asnjë mënyrë mos e modifikoni spinën. Mos përdorni spina përshtatëse me vegla elektrike të tokëzuara.** Spinat e pamodifikuara dhe që përshtaten me prizën pakësojnë rrezikun e goditjes elektrike.
5. **Shmangni kontaktin e trupit me sipërfaqe të tokëzuara siç janë tubat, radiatorët, sobat dhe frigoriferët.** Ka rrezik më të madh goditjeje elektrike nëse trupi juaj prek tokën.
6. **Mos e ekspozoni veglën elektrike ndaj shiut dhe kushteve me lagështi.** Uji që hyn në veglën elektrike shton rrezikun e goditjes elektrike.
7. **Mos e keqpërdorni kordonin. Asnjëherë mos e përdorni kordonin për ta transportuar, për ta tërhequr ose për ta hequr veglën nga priza. Mbajeni kordonin larg nxehtësisë, lubrifikantit, pjesëve të mprehta ose pjesëve lëvizëse.** Kordonët e dëmtuar ose të ngatërruar shtojnë rrezikun e goditjes elektrike.
8. **Kur e përdorni veglën elektrike në ambient të jashtëm, përdorni kordon zgjatues të përshtatshëm për përdorim të jashtëm.** Përdorimi i kordonit të përshtatshëm për ambient të jashtëm ul rrezikun e goditjes elektrike.
9. **Nëse përdorni i veglës elektrike në ambient të lagësht është i pashmangshëm, përdorni një burim energjie të mbrojtur nga automati (RCD).** Përdorimi i një RCD-je ul rrezikun e goditjes elektrike.
10. **Rekomandohet përdorimi i një ushqyesi nëpërmjet RCD me rrymë nominale 30 mA ose më të ulët.**

Siguria personale

11. **Qëndroni vigjilentë, kini kujdes se çfarë bëni dhe veproni me mend kur përdorni veglën elektrike.** Mos e përdorni veglën elektrike kur jeni të lodhur ose nën ndikimin e drogave, alkoolit ose mjekimit. Një moment hutimi ndërkohë që përdorni veglën elektrike mund të rezultojë në lëndim të rëndë personal.

12. **Përdorni pajisje mbrojtëse personale. Mbani gjithmonë mbrojtëse për sytë.** Pajisjet mbrojtëse, si maska kundër pluhurit, këpucët e sigurisë kundër rrëshqitjes, kaskat e forta ose mbrojtëset ndaj zhurmës të përdorura për kushtet e duhura reduktojnë lëndimet personale.
13. **Parandaloni ndezjen e paqëllimshme. Sigurohuni që çelësi të jetë në pozicionin fikur përpara se ta lidhni me burimin e energjisë dhe/ose paketën e baterisë, apo përpara se të ngrini ose të mbani veglën.** Mbajtja e veglës elektrike me gishtin të vendosur te çelësi mund të sjellë aksidente.
14. **Hiqni çelësat rregullues përpara se të ndizni veglën.** Çelësat e mbetur në pjesët rotulluese të veglës elektrike mund të rezultojnë në lëndim personal.
15. **Mos u zgjatni me shumë seç duhet. Mbani në çdo moment këmbët në pozicionin e duhur dhe ruani ekuilibrin.** Kjo mundëson kontroll më të mirë të veglës elektrike në situata të papritura.
16. **Vishuni siç duhet. Mos vishni rroba të lirshme dhe mos mbani bizhuteri. Mbajini flokët, rrobat dhe dorezat larg nga pjesët lëvizëse. Rrobat e lirshme, bizhuteritë ose flokët e gjatë mund të kapen te pjesët lëvizëse.**
17. **Nëse ofrohen pajisje për lidhjen me mjete ndihmëse të nxjerrjes dhe mbledhjes së pluhurave, sigurohuni që këto të jenë lidhura dhe të përdoren siç duhet.** Mbledhja e pluhurave mund të pakësojë rreziqet në lidhje me to.

Përdorimi dhe kujdesi për veglën elektrike

18. **Mos ushtroni forcë mbi veglën elektrike. Përdorni veglën e duhur elektrike për përdorimin tuaj.** Vegla e duhur elektrike do ta bëjë punën më mirë dhe më të sigurt, me shpejtësinë për të cilën është projektuar.
19. **Mos e përdorni veglën elektrike nëse çelësi nuk ndizet dhe fiket.** Çdo vegël elektrike që nuk mund të kontrollohet me çelës është e rrezikshme dhe duhet të riparohet.
20. **Hiqeni spinën nga burimi i energjisë dhe/ose paketën e baterisë nga vegla elektrike përpara se të bëni rregullime, të ndërroni aksesore ose t'i magazinoni veglat elektrike.** Masa të tilla parandaluese të sigurisë ulin rrezikun e ndezjes së veglës elektrike aksidentalisht.
21. **Mbajini veglat elektrike të fikura larg fëmijëve dhe mos i lejoni personat që nuk e njohin veglën ose këto udhëzime ta përdorin atë.** Veglat elektrike janë të rrezikshme në duart e përdoruesve të pakualifikuar.
22. **Mirëmbajini veglat elektrike. Kontrolloni për keqvendosje ose ngecje të pjesëve të lëvizshme, thyerje të pjesëve dhe ndonjë gjendje tjetër që mund të ndikojë në përdorimin e veglës elektrike.** Nëse vegla elektrike është e dëmtuar, riparojeni përpara përdorimit. Shumë aksidente shkaktohen nga veglat jo të mirëmbajtura.
23. **Mbajini veglat prerëse të mprehta dhe të pastra.** Veglat prerëse të mirëmbajtura me fletë të mprehta kanë më pak mundësi të përthyeren dhe kontrollohen më lehtë.

24. Përdoreni veglën elektrike, aksesorët dhe puntot e veglës etj. sipas këtyre udhëzimeve, duke pasur parasysh kushtet e punës dhe punën që do të kryhet. Përdorimi i veglës elektrike për punë të ndryshme nga ato të synuara mund të rezultojë në situata të rrezikshme.

Shërbimi

25. Bëjini shërbim veglës elektrike nga një person i kualifikuar për riparime, duke përdorur vetëm pjesë identike zëvendësimi. Kjo do ta mbajë të sigurt veglën elektrike.
26. Ndiqni udhëzimet për lubrifikimin dhe ndërrimin e aksesorëve.
27. Mbajeni dorezën të thatë, të pastër dhe të pandotur me vaj apo yndyrë.

UDHËZIME TË RËNDËSISHME PËR SIGURINË

⚠ PARALAJMËRIMI! Lexoni të gjitha paralajmërimet dhe udhëzimet e sigurisë. Moszbatimi i paralajmërimeve dhe udhëzimeve mund të shkaktojë goditje elektrike, zjarr dhe/ose lëndim të rëndë.

Ruajini të gjitha paralajmërimet dhe udhëzimet për të ardhmen.

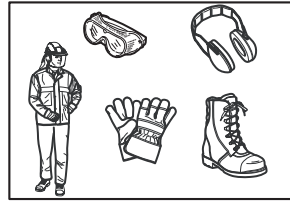
Përdorimi i synuar

1. Kositësja e barit/prerësi i shkurreve/prerësi me fije është synuar vetëm për të prerë bar, barëra të këqija, shkurre dhe gëmushat. Nuk duhet të përdoret për qëllime të tjera si krasitje apo pastrim gardhi pasi kjo mund të shkaktojë lëndime.

Udhëzime të përgjithshme

1. Mos lejoni përdorimin e kësaj pajisjeje nga persona që nuk i njohin këto udhëzime, njerëzit (duke përfshirë edhe fëmijët) me aftësi jo të plota fizike, shoqërore ose mendore, ose të cilëve u mungon përvoja dhe njohuria e duhur. Fëmijët duhet të mbikëqyren për t'u siguruar se nuk luajnë me pajisjen.
2. Përpara përdorimit të veglës, lexoni këtë manual përdorimi për t'u njohur me përdorimin e saj.
3. Mos ia huazoni veglën një personi, i cili nuk ka përvojën ose njohuritë e mjaftueshme për përdorimin e prerësit të shkurreve dhe prerësit me fije.
4. Kur ta jepni hua veglën, bashkë me të jepni edhe manualin e përdorimit.
5. Mbajeni këtë pajisje me kujdes dhe vëmendje maksimale.
6. Mos e përdorni pajisjen pasi keni konsumuar alkool ose ilaçe, ose nëse ndiheni i lodhur ose sëmurë.
7. Mos tentoni ta modifikoni këtë vegël.
8. Kujdes nga përdorimi i veglës që përdoret për prerjen në gjatësinë e duhur të filamentit. Pasi ta keni zgjatur fijen e re prerëse, gjithmonë kthejeni pajisjen në pozicionin e duhur të përdorimit përpara se ta ndizni.
9. Ndiqni rregulloret që sanksionojnë përdorimin e prerësit të shkurreve dhe prerësit me fije në vendin tuaj.

Pajisjet për mbrojtjen personale



1. Mbani helmëtë sigurie, syze mbrojtëse dhe doreza mbrojtëse që të mbroheni nga papastërtitë fluturuese ose objektet që bien.
2. Përdorni mbrojtëse për veshët, si kufje mbrojtëse për parandalimin e dëmtimit të dëgjimit.
3. Vishni rroba dhe këpucë të përshtatshme për një përdorim të sigurt, si p.sh. kominoshe pune dhe këpucë të forta që nuk rrëshqasin. Mos vishni rroba të lirshme apo bizhuteri. Rrobat e lirshme, bizhuteritë apo flokët e gjata mund të ngatërrohen në pjesët e lëvizshme.
4. Vishni doreza mbrojtëse kur prekni tehun prerës. Tehet prerëse mund t'i dëmtojnë rëndë duart e pambrojtura.

Siguria në vendin e punës

1. Përdoreni veglën vetëm gjatë ditës dhe në kushte të mira pamore. Mos e përdorni pajisjen në errësirë ose kur ka mjegull.
2. Mos e përdorni pajisjen në atmosferë shpërthyes, siç mund të jetë prania e lëngjeve, gazeve apo pluhurit të djegshëm. Vegla krijon shkëndija që mund të ndezin pluhurin ose avujt.
3. Gjatë përdorimit, mos qëndroni në sipërfaqe të paqëndrueshme, të rrëshqitshme ose në vend të pjerrët. Gjatë të ftohtit, bëni kujdes nga akulli dhe dëbora dhe gjithmonë siguroni qëndrim të sigurt.
4. Gjatë përdorimit mbajini të tjerët ose kafshët të paktën 15 m larg pajisjes. Fikeni veglën nëse dikush ju afrohet.
5. Përpara përdorimit, kontrolloni vendin e punës për gurë ose objekte të tjera të forta. Ato mund të fluturojnë tutje ose të shkaktojnë zbrapsje të rrezikshme dhe të rezultojnë në lëndim serioz personi dhe/ose dëmtim të pronës.
6. **⚠ PARALAJMËRIMI:** Përdorimi i këtij produkti mund të krijojë pluhur me përmbajtje kimike që mund të shkaktojë sëmundje të frymëmarrjes ose sëmundje të tjera. Shembuj të këtyre kimikateve mund të jenë përbërës që gjenden në pesticide, insekticide, fertilizantë dhe herbidice. Rreziku ndaj këtyre ekspozimeve ndryshon në varësi të shpeshësisë së kryerjes së kësaj lloji pune. Për të reduktuar ekspozimin tuaj ndaj këtyre kimikateve: punoni në ambiente të ajrosura mirë, dhe përdorni mjete të aprovuara sigurie, siç mund të jenë maskat mbrojtëse me filtr të përshtatshëm ndaj grimcave mikroskopike.

Siguria elektrike

1. Spina e veglës duhet të përshtatet me prizën. Mos e modifikoni spinën në asnjë lloj mënyre. Mos përdorni përshtatës spinash me pajisjet elektrike të tokëzuara. Spinat e pamodifikuara dhe prizat e përshtatshme reduktojnë rrezikun nga goditja elektrike.

2. **Mënjanoni kontaktin me trup të pajisjeve të tokëzuara si tubacione, radiatorë, soba dhe frigoriferë.** Rreziku i goditjes elektrike rritet nëse trup juaj është i tokëzuar.
3. Mos e ekspozoni veglën në shi apo ambient të lagësht. Hyrja e ujit në pajisje rrit rrezikun e goditjes elektrike.
4. **Mos e keqpërdorni kabullin. Mos e përdorni kabullin për të mbajtur, tërhequr ose hequr nga priza pajisjen.** Mbajeni kordonin larg nxehtësisë, vajit, anëve të mprehta dhe pjesëve të lëvizshme. Kordonët e dëmtuar ose të ngatërruar rrisin rrezikun e goditjes elektrike.
5. Mos e përdorni veglën nëse çelësi nuk e ndez dhe nuk e fik atë. Çdo pajisje që nuk mund të kontrollohet me çelësin është e rrezikshme dhe duhet riparuar.
6. **Kur ju duhet të përdorni një pajisje elektrike në ambient të jashtëm, përdorni një kabull zgjatues që është i përshtatshëm për përdorim në ambient të jashtëm.** Përdorimi i një kabulli të përshtatshëm për ambient të jashtëm redukton rrezikun nga goditja elektrike.
7. **Nëse përdorimi i veglës elektrike në ambient të lagësht është i pashmangshëm, përdorni një burim energjie të mbrojtur nga automati (RCD).** Përdorimi i një pajisjeje RCD redukton rrezikun e goditjes elektrike.
8. **Gjithmonë rekomandohet të përdoret energjia elektrike përmes një pajisjeje RCD me rrymë të matur me vlerë 30 mA ose më të vogël.**
9. Parandaloni ndezjen e paqëllimshme. Sigurohuni që çelësi të jetë në pozicionin "fikur" përpara se të lidhni energjinë elektrike, të merrni apo transportoni pajisjen. Transportimi i pajisjeve elektrike me gishtin të çelësi i ndezjes ose lidhja e tyre me energjinë ndërkohë që çelësi është në pozicionin ndezur mund të shkaktojë aksidente.
10. Përpara përdorimit, kontrolloni kabullin elektrik për shenja dëmtimi ose konsumimi.
11. Nëse kordoni dëmtohet gjatë përdorimit, hiqeni atë menjëherë nga priza. **Mos e prekni kordonin përpara se ta hiqni atë nga priza elektrike.**
12. Mos e përdorni veglën nëse kordonët janë të dëmtuar ose të konsumuar.
13. Ruajeni kordonin e zgjatimit larg nga elemente prerës.

Përdorimi

1. Në rast emergjence, fikni menjëherë veglën.
2. Nëse ndieni diçka të pazakonitë (p.sh. zhurmë, dridhje) gjatë përdorimit, fikeni pajisjen. Mos e përdorni pajisjen deri sa të përcaktoni dhe të zgjidhni problemin.
3. Paralajmërim. Pajisja prerë vazhdon të rrotullohet për një periudhë të shkurtër edhe pasi e keni fikur veglën. Mos nixtoni të prekni pajisjen prerë.
4. Përdorni rripi i supit gjatë përdorimit të pajisjes. Mbajeni fort veglën në anën tuaj të djathtë.
5. Mos u zgjatni më shumë seç duhet. Mbani në çdo moment këmbët në pozicionin e duhur dhe ruani ekuilibrin. Shikoni për pengesa të fshehura si trungje peme, rrënjë dhe kanale që të mos pengoheni.
6. Asnjëherë mos punoni në shkallë ose në pemë që të shmangni humbjen e kontrollit.
7. Përpara përdorimit dhe pas çdo përplasjeje të fortë ose rënieje të mundshme, kontrolloni gjendjen e pajisjes para se të vazhdoni punën. Kontrolloni pajisjet e komandës dhe sigurisë për keqfunksionim. Nëse ka dëmtime ose dyshoni për dëmtime, kontaktoni qendrën e autorizuar të shërbimit për inspektim dhe riparim.
8. Mos e prekni kutinë e ingranazheve. Kutia e ingranazheve nxeht gjatë përdorimit.
9. Bëni pushim për të parandaluar humbjen e kontrollit për shkak të lodhjes. Në rekomandojmë që të bëni 10 deri në 20 minuta pushim pas çdo ore.
10. Kur e lini veglën vetëm qoftë dhe për një kohë të shkurtër, hiqni gjithmonë spinën nga priza. Nëse pajisja lihet pa kontroll me spinën e vendosur në prizë, ajo mund të përdoret nga persona të paautorizuar dhe të shkaktojë aksidente të rënda.
11. Nëse ndërmjet pajisjes prerëse dhe mbrojtëses ngec bar ose degë, fikni gjithmonë veglën dhe hiqni spinën nga priza përpara se ta pastroni. Përmdryshe pajisja prerëse mund të rrotullohet në mënyrë të paqëllimshme dhe të shkaktojë lëndim serioz.
12. Nëse pajisja prerëse godet gurë ose objekte të tjera të forta, fikeni menjëherë veglën. Më pas hiqni spinën nga priza dhe inspektoni pajisjen prerëse.
13. Kontrollojeni shpesh pajisjen prerëse gjatë përdorimit për krisje ose dëmtime. Përpara inspektimit, hiqni spinën nga priza dhe inspektoni pajisja prerëse të ketë ndaluar plotësisht. Zëvendësojeni menjëherë pajisjen prerëse të dëmtuar, qoftë edhe kur ka vetëm krisje sipërfaqësore.
14. Mos prisni asnjëherë mbi lartësinë e belit.
15. Përpara se të nisni prerjen, prisni derisa pajisja prerëse të arrijë një shpejtësi të qëndrueshme pas ndezjes së veglës.
16. Kur përdorni tehe metalike, rrotullojeni veglën në mënyrë të njëtrajtshme në formë gjysmë-rrethi nga e djathta në të majtë, sikur po përdorni një kosë.

Vënia në punë

1. Përpara montimit ose rregullimit të pajisjes, hiqeni atë nga priza elektrike.
2. Vishni doreza mbrojtëse përpara montimit të tehut prerës.
3. Përpara vendosjes në prizë, kontrolloni veglën për dëmtime, vida të liruar dhe/ose montime jo të sakta. Mpriheni tehu prerës të pamprehur. Nëse tehu prerës është i përkulur ose i dëmtuar, zëvendësojeni atë. Kontrolloni të gjitha levat dhe çelësat komandues për një përdorim sa më të lehtë. Pastroni dhe thani dorezat.
4. Asnjëherë mos tentoni të ndizni pajisjen nëse është e dëmtuar ose nëse nuk është montuar plotësisht. Në të kundërt, mund të ndodhin dëmtime serioze.
5. Hiqni çdo çelës rregullimi apo shtrëngues përpara se të ndizni pajisjen. Një çelës rregullues apo shtrëngues i lënë në pjesën rrotulluese të pajisjes mund të shkaktojë dëmtime personale.

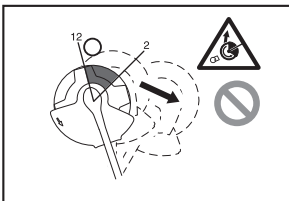
17. Mbajeni veglën vetëm nga dorezat në sipërfaqet e izoluarra, sepse tehu prerës mund të prekë tela të fshehura. Nëse tehet prerëse prekin një tel me rrymë, atëherë pjesët metalike të veglës elektrike mund të elektrizohen dhe mund të shkaktojnë goditje elektrike te punëtori.
18. Sigurohuni gjithmonë që hapësirat për ajrosje të mos kenë papastërti.

Pajisjet prerëse

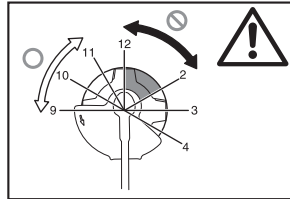
1. Përdorni pajisje të përshtatshme prerëse për punën që keni në dorë.
 - Kokat prerëse prej najloni (kokat prerëse me fije) janë të përshtatshme për prerjen e barit të lëndinave.
 - Tehet metalike janë të përshtatshme për prerjen e barërave të këqija, shkurreve, gëmushave, pemëve të vogla, korijeve dhe të ngjashme.
 - Mos përdorni kurrë tehe të tjera, përfshirë zinxhirë rrotullues me shumë pjesë dhe tehe me zinxhir. Kjo mund të shkaktojë lëndime serioze.
2. Përdorni gjithmonë mbrojtëse të përshtatshme për pajisjen prerëse që përdoret.
3. Mos përdorni pajisje prerëse metalike në modelet prerëse me najlon.
4. Gjatë përdorimit të fletëve metalike, shmangni “zmbropsjet” dhe përgatituni gjithmonë për zmbropsje aksidentale. Shikoni seksionin “Zmbropsja”.

Zmbropsja (shtytja e tehut përpara)

1. Zmbropsja (shtytja e tehut përpara) është një reagim i papritur i tehut prerës të ngecur ose të bllokuar. Kur kjo ndodh, vegla shtyhet me forcë të madhe anash ose drejt përdoruesit dhe mund të shkaktojë lëndim të rëndë.
2. Zmbropsja ndodh veçanërisht kur përdoret segmenti i fletës ndërmjet pozicionit të orës 12 dhe 2 ndaj objekteve të forta, shkurreve dhe pemëve me diametër 3 cm ose më të madh.



3. Për të shmangur zmbropsjen:
 - Vendosni segmentin ndërmjet pozicionit të orës 8 dhe 11.
 - Asnjëherë mos e vendosni segmentin ndërmjet pozicionit të orës 12 dhe 2.
 - Mos e vendosni kurrë segmentin në pozicion të ngjashëm me orën 11 dhe 12 dhe mes 2 dhe 5, përveç rastit kur përdoruesi është i trajnuar mirë dhe me përvojë dhe e kryen këtë veprim me përgjegjësinë e tij/saj të plotë.
 - Mos i përdorni asnjëherë tehet prerëse pranë objekteve të forta, si gardhet, muret, trungjet e pemëve dhe gurët.
 - Mos i përdorni asnjëherë tehet prerëse vertikalisht për veprime si mprehja dhe prerja e gardheve.



Dridhja

1. Individët me probleme në qarkullimin e gjakut që iu ekspozohen dridhjeve të tepërta mund të pësojnë dëmtime të enëve të gjakut ose në sistemin nervor. Dridhjet mund të shkaktojnë simptomat e mëposhtme në gishta, duar ose kyçe: Mpirje, cuksje, dhimbje, ndjesi shpuese, ndryshim të ngjyrës së lëkurës ose të vetë lëkurës. Nëse ju shfaqet ndonjë nga këto simptoma, shkoni te mjeku!
2. Për të ulur rrezikun e “sëmundjes së dridhjeve të shpeshta”, mbajini duart të ngrohta gjatë punës dhe mirëmbajeni veglën dhe aksesoret.

Transporti

1. Përpara se të transportoni veglën, fikeni atë dhe hiqni spinën nga priza. Vendosni mbulesën në tehun prerës.
2. Kur transportoni veglën, mbajeni në pozicion horizontal duke e mbajtur nga boshti.
3. Kur transportoni veglën në një automjet, lidhni mirë që të mos përmbysen. Ndryshe kjo mund të çojë në dëmtim të veglës dhe ndonjë bagazhi tjetër.

Mirëmbajtja

1. Shërbimi për veglën tuaj duhet të kryhet nga qendra të autorizuara shërbimi, duke përdorur gjithmonë pjesë origjinale këmbimi. Riparimi jo i saktë dhe mirëmbajtja e dobët mund ta shkurtojë jetëgjatësinë e veglës dhe të rrisë rrezikun e aksidenteve.
2. Përpara se të kryeni ndonjë shërbim mirëmbajtjeje, riparimi ose pastrimi, fikeni gjithmonë veglën dhe hiqni spinën nga priza.
3. Mbani gjithmonë doreza kur punoni me tehun prerës.
4. Pastrojeni gjithmonë pluhurin dhe papastërtitë nga pajisja. Mos përdorni kurrë benzinë, benzol, hollues, alkool dhe të ngjashme për pastrim. Kjo mund të rezultojë në çngjyrosje, deformim ose krisje të pjesëve përbërëse plastike.
5. Pas çdo përdorimi, shtrëngoni të gjitha vidat dhe dadot.

- Mos u përpini të kryeni mirëmbajtje ose riparime që nuk përshkruhen në këtë manual përdorimi. Këto punime duhen kryer në qendrat tona të autorizuar të shërbimit.
- Përdorni gjithmonë vetëm pjesë këmbimi dhe aksesore origjinale. Përdorimi i pjesëve ose aksesoreve të furnizuar nga një palë e tretë mund të shkaktojë prishje të veglës, dëmtim të pronës dhe/ose lëndim serioz të personit.
- Vegla duhet të inspektohet dhe të mirëmbahet në intervale të rregullta nga qendrat tona të autorizuar të shërbimit.

Magazinimi

- Përpara se ta magazinoni veglën, pastrojeni tërësisht dhe kryeni shërbimet e mirëmbajtjes. Hiqni spinën nga priza. Vendosni mbulesën në tehun prerës.
- Ruajeni veglën në një vend të thatë dhe të lartë ose të mbyllur, larg fëmijëve.
- Mos e mbështesni veglën te ndonjë objekt tjetër, si p.sh. në mur. Ajo mund të bjerë papritur dhe të shkaktojë lëndime.

Ndihma e shpejtë

- Mbani gjithmonë afër një kuti të ndihmës së shpejtë. Zëvendësojeni menjëherë çdo artikull që përdorni nga kutia e ndihmës së shpejtë.
- Nëse kërkonin ndihmë, jepni informacionet e mëposhtme:
 - Vendin e aksidentit
 - Çfarë ndodhi
 - Numrin e personave të lënduar
 - Natyren e lëndimit
 - Emrin tuaj

RUAJINI KËTO UDHËZIME.

⚠️ PARALAJMËRIM:

MOS lejoni rehatinë ose familjarizimin me produktin (të fituar nga përdorimi i përsëritur) të zëvendësojë pajtimin e rreptë të rregullave të sigurisë për produktin në fjalë. KEQPËRDORIMI ose moszbatimi i rregullave të sigurisë të paraqitura në këtë manual udhëzimi mund të shkaktojë lëndim personal të rëndë.

PËRSHKRIMI I PJESËVE (Figura 1)

PËRSHKRIMI FUNKSIONAL

⚠️ PARALAJMËRIM:

- Gjithmonë sigurohuni që vegla të jetë fikur dhe hequr nga priza para rregullimit ose kontrollit të funksioneve në vegël. Gabimet në fikje dhe heqje nga priza mund të shkaktojnë lëndim të rëndë personal nga ndezja padashje.

Veprimi i çelësit të rrymës elektrike (Figura 2)

⚠️ PARALAJMËRIM:

- Para futjes së fishës në prizë, gjithmonë kontrolloni që këmbëza e çelësit të shtypet dhe rikthehet në pozicionin "OFF" kur të lëshohet. Mos e tërhiqni fort këmbëzën e çelësit pa rrëshqitur levën bllokuese. Kjo mund të shkaktojë thyerjen e çelësit. Përdorimi i një vegle me një çelës që nuk funksionon tamam mund të shkaktojë humbjen e kontrollit dhe lëndim personal të rëndë.

Për të parandaluar tërheqjen aksidentale të këmbëzës së çelësit, është pajisur me një levë bllokuese.

Për ta ndezur veglën, rrëshqitni përpara levën bllokuese dhe pastaj tërhiqni këmbëzën e çelësit. Lëshojeni këmbëzën e çelësit për të ndaluar.

Koka prerëse prej najloni (Figura 3)

NJOFTIM:

- Mos u përpini të përplasni kokën ushqyese ndërsa vegla po punon me xhiro të shpejta. Përplasja e kokës ushqyese në xhiro të shpejta mund të dëmtojë kokën prerëse prej najloni.
- Koka ushqyese nuk do të funksionojë si duhet nëse koka nuk rrotullohet.

SHËNIM:

- Aksesorët standard ndryshojnë në varësi të modelit dhe vendit.

Koka prerëse me najlon është një kokë kositive e dyfishtë e pajisur me mekanizëm goditjeje dhe ushqyes. Për të nxjerrë kordonin e najlonit, goditeni kokën prerëse në tokë ndërsa koka prerëse është duke u rrotulluar.

SHËNIM:

- Nëse kordoni prej najloni nuk del jashtë kur godisni kokën, rimbështillni/zëvendësoni kordonin prej najloni duke ndjekur procedurat e përshkruara në seksionin "Mirëmbajtja".

Mbajtësi i kablos (Figura 4)

Bëni një lak të vogël në kabllo dhe rrymës elektrike dhe varen në mbajtësen e kablos.

MONTIMI

⚠️ PARALAJMËRIM:

- Gjithmonë sigurohuni që vegla të jetë fikur dhe hequr nga priza para se të kryeni riparime të veglës. Gabimet në fikje dhe heqja nga priza mund të shkaktojnë lëndim të rëndë personal nga ndezja padashje.
- Kurrë mos e ndizni veglën nëse nuk është montuar plotësisht. Përdorimi i veglës në gjendje pjesërisht të montuar mund të shkaktojë lëndim serioz nga ndezja aksidentale e saj.

Vendosja e dorezës (Figura 5)

⚠️ PARALAJMËRIM:

- Mos e hiqni ose ngushtoni ndarësin ose amortizatorin. Ndarësi ruan njëfarë distance ndërmjet dy duarve. Vendosja e mjetit kapës/ndarësit afër me kapësin tjetër përtej gjatësisë së ndarësit mund të shkaktojë humbjen e kontrollit dhe lëndim personal të rëndë.

Përshatani dorezën dhe ndarësin në pjesën e gomuar të tubit aksial. Rregulloni vendndodhjen e dorezës dhe pastaj shtrëngojini me katër bulona.

Kombinimi i aprovuar i veglës prerëse dhe i mbrojtësit

⚠️ PARALAJMËRIM:

- Gjithmonë përdoreni veglën me kombinimin e duhur të pajisjeve të sigurisë. Ndryshe, kontakti me një veglës prerëse mund të shkaktojë lëndim të rëndë.
- Mos e përdorni kurrë veglën pa mbrojtësen e vendosur siç ilustron. Nëse nuk e bëni diçka të tillë mund të pësoni lëndime personale serioze.

SHËNIM:

- Aksesorët standardë ndryshojnë sipas modelit dhe vendit.

Për teahun prerës (Figura 6)

Për kokën prerëse prej najloni (Figura 7)

Instalimi i mbrojtëses për teahun prerës (Figura 8)

1. Vendosini në vijë të drejtë vrimat e mbrojtësit të brendshëm me ato të kutisë së ingranazheve.
2. Pastaj mbërthejini ato me tre bulonat.

Instalimi i mbrojtëses për kokën prej najloni

⚠️ KUJDES:

- Kini kujdes të mos lëndoheni te prerësi që pret fijen e najlonit.
- Mos harroni të hiqni mbrojtësen e prerësit përpara përdorimit.

1. Vendosini në vijë të drejtë katër dadot në mbrojtësen e jashtme me vrimat në mbrojtësen e brendshme. (Figura 9)
2. Mbërthejini ato me katër bulona.
3. Vendosini në vijë të drejtë vrimat e mbrojtëses së brendshme me ato të kutisë së ingranazheve.
4. Mbërthejini ato me bulona. (Figura 10)

Instalimi i tehut prerës

⚠️ PARALAJMËRIM:

- **Diametri i jashtëm i tehut prerës duhet të jetë 230 mm.** Mos përdorni kurrë tehu me diametër të jashtëm mbi 230 mm.

⚠️ KUJDES:

- Tehu i prerësit duhet të mprihet mirë, të mos ketë krisje ose thyerje. Mprihen ose zëvendësojeni tehun e prerësit pas çdo tre orësh pune.
- Mbani gjithmonë doreza kur punoni me tehun e prerësit.
- Vendosni gjithmonë mbulesën e tehut kur vegla nuk është në përdorim ose kur transportohet.
- Dadoja shtrënguese e tehut të prerësit konsumohet me kalimin e kohës. Nëse vihet re ndonjë konsumim ose deformim, zëvendësojeni dadon. Porositeni atë në qendrën lokale të autorizuar për shërbim.

NJOFTIM:

- Sigurohuni që të përdorni tehun e prerësit origjinal.

Kthejeni veglën përmbys për ta zëvendësuar me lehtësi tehun e prerësit. (Figura 11)

1. Vendoseni rondelën hyrëse në bosht.
2. Rrotullojeni rondelën hyrëse derisa vrima në ronderelë vjen mbi vrimën e kutisë së ingranazheve.
3. Futni shufrën e rumbullakët përmes të dy vrimave në mënyrë që ronderela hyrëse të mos rrotullohet më.
4. Vendosni tehun në rondelën hyrëse.
5. Vendoseni rondelën shtrënguese në tehu.
6. Vendoseni kapakun mbi tehu.
7. Mbërthejini ato me bulon duke e rrotulluar atë në drejtim të kundërt me akrepat e orës ndërkohë që mbani shufrën e rumbullakët.

Për të hequr tehun, kryeni hapat e mësipërme në të anasjelltë.

Vendosja e kokës prerëse prej najloni (Figura 12)

NJOFTIM:

- Siguroni që të përdorni kokë origjinale prerëse prej najloni.

Kthejeni veglën në drejtimin poshtë me qëllim që koka prerëse prej najloni të mund të zëvendësohet lehtësisht.

SHËNIM:

- Hiqeni kapakun mbi prerësen e kordonit para përdorimit.

1. Vendoseni rondelën hyrëse në bosht.
2. Rrotullojeni rondelën hyrëse derisa dhëmbëza në rondelën hyrëse të futet në dhëmbëzën e kutisë së ingranazhit.
3. Vendoseni shufrën e rumbullakët përmes të dyja dhëmbëzave në mënyrë që ronderela hyrëse të mos rrotullohet.
4. Instalojeni kokën prerëse prej najloni duke e rrotulluar atë në drejtim të kundërt me akrepat e orës.
5. Hiqni shufrën e rumbullakët pasi të keni instaluar kokën prerëse prej najloni.

Për të hequr kokën prej najloni, kryeni hapat e mësipërme në të anasjelltë.

PËRDORIMI

Mbajtja e duhur e veglës (Figura 13)

Qëndrimi i duhur

⚠️ PARALAJMËRIM:

- **Gjithmonë mbajeni veglën në anën tuaj të djathtë në mënyrë që ndarësi të jetë gjithmonë para trupit tuaj.** Pozicionimi i saktë i veglës mundëson kontrollin maksimal të saj dhe ul rrezikun e lëndimit të rëndë personal të shkakuar nga zbrapsja.

⚠️ KUJDES:

- Nëse gjatë punës vegla prerëse përplasat aksidentalisht në një gur ose objekt të fortë, fikeni veglën dhe kontrollojeni për ndonjë dëmtim. Nëse vegla prerëse dëmtohet, zëvendësojeni menjëherë. Përdorimi i një vegle prerëse të dëmtuar mund të shkaktojë lëndim të rëndë personal.

Vendoseni rripin e supit mbi shpatullën e majtë duke kaluar kokën dhe krahun e djathtë përmes tij dhe mbajeni veglën në anën tuaj të djathtë duke e mbajtur gjithmonë ndarësen përpara trupit tuaj.

Mbërthimi i rripit të supit (Figura 14)

Përshtateni gjatësinë e rripit në mënyrë që vegla prerëse të qëndrojë paralelisht me tokën.

Lidheni varësen dhe rripin.

⚠️ PARALAJMËRIM:

- **Kini tepër kujdes për të ruajtur kontrollin e veglës gjatë gjithë kohës. Mos e lejoni veglën të anohet drejt jush ose kujt do në afërsi të vendit të punës.** Mosruajta e kontrollit të veglës mund të shkaktojë lëndim të rëndë të kalimtarët dhe përdoruesit.

Përshtatja e pozicionit të varëses dhe rripit të supit (Figura 15)

Rregullojeni pozicionin e varëses siç ilustronhet. (Figura 16)

Për të ndryshuar pozicionin e varëses, lironi bulonin mbi varëse. Pastaj zhvendoseni varësen.

Pasi të keni rregulluar pozicionin e varëses, shtrëngojeni në mënyrë të sigurt bulonin me anë të çelësit.

MIRËMBAJTJA

⚠️ PARALAJMËRIM:

- Gjithmonë sigurohuni që vegla të jetë fikur dhe hequr nga priza para se të përpriqeni të kryeni kontroll ose mirëmbajtje të funksioneve të veglës. Gabimet në fikje dhe heqja nga priza mund të shkaktojnë lëndim të rëndë personal nga ndezja padashje.

NJOFTIM:

- Kurrë mos përdorni vajguri, benzinë, hollues, alkoool ose lëndë të ngjashme. Mund të krijohet çngjyrim, deformim ose plasaritje.

Zëvendësimi i kordonit prej najloni (Figura 17)

⚠️ PARALAJMËRIM:

- Sigurohuni që koka prerëse prej najloni të jetë shtrënguar mirë në vegël para përdorimit. Mos-shtrëngimi i mirë i kokës prerëse prej najloni mund ta flakë me vërtitje duke shkaktuar lëndim personal të rëndë.

1. Heqja e kokës prerëse prej najloni.
2. Hiqeni mbulesën duke shtypur dy kapëset që janë dy seksionet me kanale në dy krahët e kupës.
3. Hiqeni bobinën. Dhe hiqeni kordonin e vjetër prej najloni nga bobina.
4. Prisni një kordon najloni në gjatësinë 3 – 6 m. Paloseni kordonin prerës në dy gjysma, duke lënë njërin gjysmë 80 – 100 mm më të gjatë se tjetra. (Figura 18)
5. Vareni mesin e kordonit prej najloni në lakun e ndodhur në qendër të bobinës ndërmjet dy kanaleve të krijuara për kordonin e najlonit. (Figura 19)
6. Mbështillni fort të dyja skajet përgjatë kanaleve në drejtimin e treguar nga shigjeta në bobinë. (Figura 20)
7. Vendosini kordonët prej najloni përmes kanaleve të vrimave që të dalin nga kupa.
8. Bashkërenditeni pjesën e dalë në pjesën e poshtme të mbulesës me kanalet e vrimave. Pastaj shtyjeni mbulesën fort në kupë për ta fiksuar. Sigurohuni që kapëset të jenë përhapur plotësisht në mbulesë.

Për të ruajtur SIGURINË dhe BESUESHMËRINË, riparimet dhe mirëmbajtja ose ndryshimet e tjera duhet të kryhen nga qendrat e autorizuar të shërbimit të Makita, duke përdorur gjithmonë pjesë këmbimi të Makita.

INTERVALI I MIRËMBAJTJES

Pjesët:	Intervali:	Si ta bëni:
Kordoni i rrymës	Çdo herë para përdorimit	Kontrolloni vizualisht që të mos mbahet keq ose dëmtohet. Nëse dëmtohet, kërkoni riparimin nga qendra e shërbimit.
Vidha e dorezës	Çdo herë para përdorimit	Kontrolloni që vidha të mos jetë e liruar. Shtrëngojeni vidhën nëse është e liruar. Zëvendësojeni vidhën nëse është dëmtuar.
Mbrojtëse e veglës prerëse (mbrojtësja)	Çdo herë para përdorimit	Kontrolloni që vidha të mos jetë e lirshme, që mbrojtësja të mos jetë e dëmtuar. Shtrëngojeni mbrojtësen nëse është dëmtuar. Zëvendësojeni mbrojtësen nëse dëmtohet.
Teh prerës	Çdo 10 orë	Pas çdo përdorimi, vajoseni me vaj kundër gërryerjes. Kontrolloni nëse nuk është e dëmtuar. Zëvendësojeni nëse është e dëmtuar.
Koka prerëse prej najloni	Çdo 10 orë	Kontrolloni vizualisht që të mos mbahet keq ose dëmtohet. Nëse dëmtohet, zëvendësojeni.
Boshti i ingranazheve	Çdo 10 orë	Vajoseni me vaj kundër gërryerjes.

ZGJIDHJA E PROBLEMEVE

Para se të bëni riparime, bëni kontrollin tuaj fillimisht. Nëse gjeni një problem që nuk shpjegohet në manual, mos u përpiqni të çmontoni veglën. Në vend të saj, kërkoni ndihmë nga qendrat e autorizuar të shërbimit të Makita, gjithmonë duke përdorur pjesë këmbimi të Makita-s për riparime.

Statusi i keqfunksionimit	Shkaku	Veprimi
Motori nuk funksionon.	Fisha nuk është futur në prizën elektrike.	Futeni fishën në prizë.
	Kablloja e rrymës është çarë.	Kërkoni riparim nga qendra vendore e autorizuar e shërbimit.
	Sistemi motorik nuk funksionon si duhet.	
Motori ndalon pas një kohe përdorimi të shkurtër.	Mbinxehje.	Ndaloni përdorimin e veglës për ta lejuar të ftohet.
Nuk arrin xhirot maksimale.	Sistemi motorik nuk funksionon si duhet.	Kërkoni riparim nga qendra vendore e autorizuar e shërbimit.
Vegla prerëse nuk rrotullohet: ndalojeni menjëherë makinerinë!	Midis mbrojtëses dhe veglës prerëse ka ngecur objekt i huaj si p.sh. degë.	Hiqeni objektin e jashtëm.
	Dadoja shtrënguese e tehut prerës është liruar.	Shtërngojeni dadon në mënyrën e duhur sipas udhëzimeve në këtë manual.
	Tehu prerës është përkulur.	Zëvendësojeni tehun prerës.
	Sistemi motorik nuk funksionon si duhet.	Kërkoni riparim nga qendra vendore e autorizuar e shërbimit.
Dridhje jonormale: ndalojeni menjëherë makinerinë!	Njëri fund i kordonit prej najloni ka pësuar çarje.	Goditeni kokën prerëse prej najloni në tokë gjatë rrotullimit për të nxitur lëvizjen e kordonit.
	Tehu prerës është përkulur, i krisur ose konsumuar.	Zëvendësojeni tehun prerës.
	Dadoja shtrënguese e tehut prerës është liruar.	Shtërngojeni dadon në mënyrën e duhur sipas udhëzimeve në këtë manual.
	Tehu prerës është mbërthyer në mënyrë të papërshtatshme.	
	Sistemi motorik nuk funksionon si duhet.	Kërkoni riparim nga qendra vendore e autorizuar e shërbimit.
Vegla prerëse dhe motori nuk ndalojnë: Hiqeni menjëherë spinën nga rrjeti!	Keqfunksionim elektronik ose	Hiqni spinën kryesore dhe kërkoni qendrës lokale të autorizuar të shërbimit që ta riparojë.

PJESË SHITESË OPSIONALE

⚠ KUJDES:

- Këto pjesë ose pajisje shtesë rekomandohen të përdoren me veglën tuaj Makita të specifikuar në këtë manual. Përdorimi i pjesëve ose pajisjeve shtesë të tjera mund të përbëjë rrezik lëndimi ndaj personave. Përdorni vetëm pjesë ose pajisje shtesë për qëllimin e deklaruar.

Nëse keni nevojë për ndihmë për më shumë detaje rreth këtyre pjesëve shtesë, kërkoni nga qendra e autorizuar e shërbimit të Makita.

- Teh prerës
- Koka prerëse prej najloni
- Kordoni prej najloni (filli prerës)
- Rripi i supit

SHËNIM:

- Disa elemente në listë mund të përfshihen në paketën e veglave si pajisje shtesë. Ato mund të ndryshojnë nga njëri vend tek tjetri.

БЪЛГАРСКИ (Превод от английски на инструкциите)**Легенда на общия изглед**

1 Държач на кабела	10 Режещ инструмент	23 Гайка
2 Захранващ кабел (формата може да е различна за различните държави)	11 Презрамки	24 Режеща глава с найлонова корда
3 Задна ръкохватка	12 Амортисьор	25 Нож за кордата
4 Лостче за застопоряване на спусъка	13 Най-ефективна режеща площ	26 Предпазител
5 Спусък за включване	14 Дръжка	27 Закачалка
6 Предна ръкохватка	15 Гумена част	28 80 – 100 мм
7 Закачалка (точка за очакване)	16 Вътрешен предпазител	29 Ролка
8 Барьера	17 Външен предпазител	
9 Предпазител за режещия инструмент (протектор)	18 Приемна шайба	
	19 Кръгла шина	
	20 Нож	
	21 Фиксираща шайба	
	22 Чашка	

СПЕЦИФИКАЦИИ

Модел	UR2300	UR3502
Тип дръжка	Извита рамкова дръжка	
Обща дължина	1630 мм	
Номинална консумирана мощност	1000 W	
Скорост при празен ход	5700 мин ⁻¹	5700 мин ⁻¹
Режещ инструмент	Метален нож	Режеща глава с найлонова корда
Ширина на рязане	230 мм	350 мм
Нетно тегло	4.7 кг	4.9 кг
Клас на защита	□/□/□	

- Тъй като нашата програма за развойна дейност и разработване продължава, спецификациите на този продукт, дадени тук, могат се променят без предизвестие.
- Спецификациите за различните държави може да са различни.
- Тегло според Процедура 01/2003 на Европейската асоциация на производителите на електрически инструменти (EPTA)

Ниво на шума	Средно ниво на акустично налягане		Средно ниво на акустична мощност		Приложими стандарти		
	Режещ инструмент	Коеф. на разширена неопределеност (K) (dB(A))	Режеща глава с найлонова корда	Коеф. на разширена неопределеност (K) (dB(A))			
Метален нож	L _{РА} (dB(A))	80,8	2,5	L _{WA} (dB(A))	93,45	1,23	EN 60335-1, EN 50636-2-91, EN ISO 11806
Режеща глава с найлонова корда		85,3	2,5		93,84	1,58	

- Носете защитни средства за слуха.

Вибрации	Предна ръкохватка		Задна ръкохватка		Приложими стандарти или директиви		
	Режещ инструмент	Коеф. на разширена неопределеност (K) (m/c ²)	Режеща глава с найлонова корда	Коеф. на разширена неопределеност (K) (m/c ²)			
Метален нож	a _n (m/c ²)	2,856	1,5	a _n (m/c ²)	2,712	1,5	EN 60335-1, EN 50636-2-91, EN ISO 11806
Режеща глава с найлонова корда		2,768	1,5		2,694	1,5	

- Декларираното ниво на вибрации е измерено в съответствие с метода за стандартно изпитване и може да се използва за сравнение на един инструмент с друг.
- Декларираното ниво на вибрации може също са се използва за предварителна оценка на въздействието при излагане.

⚠ ПРЕДУПРЕЖДЕНИЕ:

- Прездизвиканите вибрации при реална употреба на електрическия уред може да се различават от декларираната стойност на вибрациите в зависимост от начина употреба на уреда.
- Задължително определете мерки за безопасност, за да защитите оператора, които са базирани на въздействието при излагане в реални условия (като се вземат предвид всички елементи на процеса на работа както и времето, когато уредът е изключен или работи на празен ход в допълнение на времето, когато ножът е активиран от спуска).

Символи

Тук по-долу са показани символите, които се използват за устройството. Уверете се, че разбирате тяхното значение, преди да започнете работа с него.



- Бъдете особено внимателни!



- Прочетете инструкциите за употреба.



- Опасност от изстреляни предмети.



- Разстоянието между уреда и стоящите наблизо хора трябва да бъде най-малко 15 м.



- Погрижете се наблизо да няма други лица.



- Носете шлем, очила и антифони.



- Носете предпазни ръкавици!



- Носете здрави високи обувки с подметки, които не се плъзгат. Препоръчват се предпазни обувки със стоманени върхове.



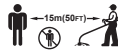
- Не излагайте уреда на влага.



- Изключете щепсела от електрическото захранване, ако захранващият кабел е повреден или заплетен.



- Избягвайте откат.



- Поддържайте разстояние от най-малко 15 м.



- ДВОЙНА ИЗОЛАЦИЯ



- Само за държави в рамките на ЕС
Не изхвърляйте електрическо оборудване заедно с битовите отпадъци!
Електрическото оборудване, което е в края на своя полезен живот, трябва да се събира отделно и да се връща в екологично-съобразни съоръжения за рециклиране, както е определено в Директивата на Европейския Парламент и на Съвета относно отпадъците от електрическо и електронно оборудване и нейното прилагане в съответствие с националното законодателство.

ЕО ДЕКЛАРАЦИЯ ЗА СЪОТВЕТВИЕ

Само за европейски държави

ЕО декларацията за съответствие е приложена като Анекс А към настоящото ръководство за експлоатация.

Общи предупреждения за безопасност при работа с електрически инструменти

⚠ ПРЕДУПРЕЖДЕНИЕ Прочетете всички предупреждения за опасност и всички инструкции. Неследването на инструкциите и неспазването на предупрежденията може да доведе до електрически удар, изгаряне и/или друга сериозна телесна повреда.

Запазете всички предупреждения и инструкции за справка в бъдеще.

Терминът “електрически инструмент” в предупрежденията се отнася за вашия инструмент (с кабел за включване в мрежата) или работещ на батерии (безжичен) електрически инструмент.

Безопасност в работната зона

1. **Поддържайте работната зона чиста и добре осветена.** Безпорядъкът и тъмнината предизвикват злополуки.
2. **Не работете с електрически инструменти във взривоопасна среда, например при наличие на леснозапалими течности, газове или прах.** Електрическите инструменти произвеждат искри, които могат да запалят прах или изпарения.
3. **Когато работите с електрически инструмент, дръжте децата и наблюдателите настрана.** Разсейването може да доведе до загуба на контрол.

Електрическа безопасност

4. **Щепселът на електрическия инструмент трябва да съответства на контакта. В никакъв случай не правете промени по щепсела. Не използвайте адаптери за щепсела при работа със заземени електрически инструменти.** Непроменният щепсел и съответстващият контакт намаляват риска от електрически удар.
5. **Избягвайте допир на тялото до заземени повърхности като тръби, радиатори, стелаж и хладилници.** Има по-голяма опасност от електрически удар, ако тялото ви е заземено.
6. **Не излагайте електрическите инструменти на дъжд и влага.** Проникването на вода в инструмента увеличава риска от електрически удар.
7. **Не опъвайте захранващия кабел. Никога не носете инструмента за кабела и не дърпайте кабела, за да го изключите от контакта. Пазете кабела от топлина, масло, остри ръбове и подвижни части.** Повреденият или усукан кабел увеличава риска от електрически удар.
8. **Когато работите с електрически инструмент на открито, ползвайте удължител за работа на открито.** Ползването на кабел за работа на открито намалява риска от електрически удар.
9. **Ако се налага да работите на влажно място, ползвайте захранване със защита против остатъчен ток на разряд (RCD).** Ползването на RCD намалява риска от електрически удар.
10. **Винаги е препоръчително ползването на захранване през устройство за дефектнотокова защита (RCD), което прекъсва захранването при ток над 30 mA.**

Лична безопасност

11. **Бъдете бдителни, внимавайте какво правите и се уповавайте на здравия разум при работа с електрически инструменти. Не работете с електрически инструменти под влиянието на алкохол, наркотици или лекарства.** Секунда невнимание при работа с електрически инструмент може да доведе до тежка телесна повреда.
12. **Използвайте лични предпазни средства. Винаги носете предпазни средства за очите.** Защитното оборудване като маска против прах, безопасни обувки, които не се пързалат, твърда шапка или защита против топлина, прилагани при подходящи условия, намаляват риска от нараняване.
13. **Не допускате неочаквано стартиране. Уверете се, че ключът е в положение “Изключено”, преди да свържете захранването и/или батериите, когато вземате или носите инструмента.** Носенето на електрически инструменти с пръст, поставен на прекъсвача, и включването на инструменти с включен прекъсвач предизвикват злополуки.
14. **Преди да включите инструмента, махнете всички ключове, ползвани за регулиране.** Ключ, който е останал закрепен за въртаща се част на електрически инструмент, може да причини тежка телесна повреда.
15. **Не се пресягайте. По всяко време стойте стабилно на кратката си.** Така ще можете да контролирате по-лесно електрически инструмент в неочаквани ситуации.
16. **Носете подходящо облекло. Не носете широки дрехи или бижута. Дръжте косата, дрехите и ръкавиците си далеч от движещите се части на уреда.** Широките дрехи, бижутата и дългата коса могат да бъдат захванати от движещите се части.
17. **Ако има устройства за улавяне и отвеждане на праха, уверете се, че са свързани и се използват правилно.** Ползването на прахоуловител може да намали опасностите, свързани с праха.

Ползване и грижи за електрическите инструменти

18. **Никога не насилвайте електрическите инструменти. Ползвайте инструмент, предназначен за съответната цел.** С правилния инструмент ще свършите работа по-добре и безопасно, със скоростта, за която е предназначен.
19. **Не ползвайте електрическия инструмент, ако не може да се включи или изключи от прекъсвача.** Инструмент, който не може да се включва и изключва от прекъсвача, е опасен и трябва да се ремонтира.
20. **Изключете щепсела от електрическото захранване и/или батерията от електрическия уред, преди да правите настройки, да смените аксесоари/приставки или да оставите уреда на съхранение.** Тези превантивни предпазни мерки намаляват риска от неволно включване на електрическия инструмент.

21. Съхранявайте електрическите инструменти извън обсега на деца и не позволявайте на лица, които не са запознати с инструментата или с настоящото ръководство, да работят с тях. В ръцете на необучени потребители електрическите инструменти са опасни.
22. Поддържайте електрическите инструменти. Проверете за изкривени или заяли подвижни части, повредени части и други обстоятелства, които могат да повлияят върху работата на инструмента. В случай на повреда на електрическия инструмент трябва да го ремонтирате, преди да го ползвате. Много злополуки се дължат на лоша поддръжка на инструментите.
23. Поддържайте режещите инструменти заточени и чисти. Вероятността правилно поддържаните инструменти за рязане с остри ръбове да заядат е по-малка, а и по-лесно се контролират.
24. Ползвайте електрическия инструмент, принадлежностите и накрайниците в съответствие с настоящото ръководство, като вземате предвид работните условия и работата, която трябва да се свърши. Ползването на инструментите за работата, за която не са предназначени, може да доведе до опасна ситуация.

Сервизно обслужване

25. Дайте вашия електрически инструмент за сервизно обслужване от квалифициран техник, който ползва само оригинални резервни части. Така ще осигурите поддържането на безопасността на електрическия инструмент.
26. Следвайте инструкциите за смазване и за смяна на принадлежностите.
27. Поддържайте дръжките сухи, чисти и без омазване и мръсотия.

ВАЖНИ ИНСТРУКЦИИ ЗА БЕЗОПАСНОСТ

⚠ ПРЕДУПРЕЖДЕНИЕ! Прочетете всички предупреждения за опасност и всички инструкции. Неспазването на инструкциите и неспазването на предупрежденията може да доведе до електрически удар, изгаряне и/или друга сериозна телесна повреда.

Запазете всички предупреждения и инструкции за справка в бъдеще.

Предназначение

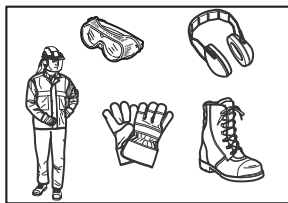
1. Този тример за трева/хросторез/тример с корда е предназначен само за подрязване на трева, плевели, храсти и фиданки. Той не трябва да се използва за други цели, например за оформяне на храсти и дървета или за подрязване на плетове, тъй като това може да доведе до наранявания.

Обща информация

1. Не позволявайте на лица, които не са запознати с настоящите инструкции, и на хора (вкл. деца) с намалени физически, сензорни или умствени способности, или на които липсват опит и познания, да използват този уред. Децата не трябва да бъдат оставяни без надзор, за да не играят с уреда.

2. Преди да започнете работа, прочетете това ръководство, за да се запознаете как се работи с уреда.
3. Не давайте назаем този уред на лица, които нямат опит и познания как се работи с хросторези и тримери за трева с режеща корда.
4. При даване на уреда назаем винаги прилагайте и настоящото ръководство.
5. Използвайте уреда с максимално внимание и грижа.
6. Не използвайте уреда след употреба на алкохол или упойващи вещества, или ако се чувствате уморен или зле.
7. Не се опитвайте да модифицирате уреда.
8. Пазете се от нараняване от устройства, монтирани за подрязване на дължината на режещата корда. След като издържите нова режеща корда, върнете машината в нормално положение за работа, преди да я включите.
9. Спазвайте приложимите разпоредби в съответната държава, които се отнасят до работата с хросторези и тримери за трева с режеща корда.

Лични предпазни средства



1. Носете каска, предпазни очила и предпазни ръкавици, за да се предпазите от летящи отломки или падащи предмети.
2. Използвайте защитни средства за слуха, например антифони, за да предотвратите увреждане на слуха.
3. Носете подходящо облекло и обувки, за да осигурите безопасна работа, например цял работен костюм и обувки, които не се плъзгат. Не носете висящи дрехи или бижута. Твърде свободните дрехи, бижутата и дългата коса могат да бъдат захванати от движещите се части на уреда.
4. Когато докосвате режещия нож, носете предпазни ръкавици. Ножовете могат сериозно да наранят ръцете ви, ако не са защитени.

Безопасност в периметъра на работа

1. Работете с уреда само при добра видимост и на дневна светлина. Не работете с уреда, когато е тъмно или мъгливо.
2. Не използвайте уреда на места, където има опасност от експлозия, например близо до леснозапалими течности, газове или прах. Уредът изпуска искри, които могат да възпламенят праха или парите.
3. По време на работа никога не стойте на нестабилна или хлъзгава повърхност, или на стръмен склон. През студентите сезони внимавайте за лед и сняг и винаги стъпвайте стабилно.

4. Погрижете се при работа разстоянието между уреда и стоящите наблизо хора или животни да бъде най-малко 15 м. Спрете уреда веднага щом някой се приближи.
5. Преди работа огледайте работния периметър за камъни или други твърди предмети. Те могат да бъдат изстреляни от уреда или да предизвикат силен откат и така да доведат до сериозни наранявания или материални щети.
6. **⚠ ПРЕДУПРЕЖДЕНИЕ!** Използването на този продукт може да генерира прах, съдържащ химикали, които може да причинят респираторни проблеми и/или други увреждания на здравето. Такива химикали могат да бъдат например вещества, които се съдържат в пестициди, инсектициди, хербициди и торове. Рискът от излагане на въздействието на тези вещества зависи от честотата, с която извършвате този вид дейност. За да намалите нивото на излагане на такива химикали, работете на места с добра вентилация и с одобрено предпазно оборудване, например респираторни маски, които са специално предназначени за филтриране на фини (микроскопични) частици.
9. Не допускайте неволно стартиране на уреда. Уверете се, че ключът е в изключено положение, преди да включите уреда към захранването, или преди вхванете или пренасане на уреда. Носене на уреда с пръсти върху ключа или на електрически уреди под напрежение с включен ключ за захранване увеличава вероятността от злополуки.
10. Преди да използвате уреда, проверете кабела за захранване и удължителя за следи от повреда или стареене.
11. Ако кабелът се повреди по време на работа, веднага го изключете от захранването. **Не докосвайте кабела, преди да изключите захранването.**
12. Не използвайте уреда, ако кабелите са повредени или износени.
13. Дръжте удължителния кабел далеч от режещите елементи.

Пускане в експлоатация

Електрическа безопасност

1. Щепселите на електрическите инструменти трябва да съответстват на електрическите контакти. Никога не модифицирайте щепсела. Не използвайте преходници за щепсели на електрическите инструменти, които трябва да бъдат заземени. Немодифицираните щепсели и съответстващите електрически контакти намаляват риска от токов удар.
2. Избягвайте контакт на тялото със заземени или заземяващи повърхности, като тръби, радиатори, печки, хладилници и др. Рискът от токов удар е по-висок, ако тялото ви е заземено.
3. Не излагайте уреда на дъжд или влага. Попадането на влага в уреда увеличава риска от токов удар.
4. Използвайте внимателно захранващия кабел. Никога не използвайте кабела за носене или дърпане на електрическия уред, или за изваждане на щепсела от контакта. Пазете кабела от топлина, масло, остри ръбове или движещи се части. Повреденият или заплетен кабел увеличава риска от токов удар.
5. Не използвайте уреда, ако ключът не може да го включва или изключва. Уред, който не може да се управлява от ключа, е опасен и трябва да се ремонтира.
6. Когато използвате електрическия уред навън, използвайте удължител, подходящ за работа на открито. Използването на кабел, подходящ за работа на открито, намалява риска от токов удар.
7. Ако няма възможност да избегнете използването на електрически уред на влажно място, използвайте захранване със устройство за дефектнотокова защита (RCD). Използването на устройство за дефектнотокова защита (RCD) намалява риска от токов удар.
8. Препоръчва се винаги да се използва захранване с устройство за дефектнотокова защита (RCD), което прекъсва захранването при ток над 30 mA.
1. Преди да сглобите и регулирате уреда, изключете щепсела от електрическото захранване.
2. Когато работите с режещия нож, носете предпазни ръкавици.
3. Преди да включите уреда в захранването, проверете го за повреди, разхлабени болтове, винтове и гайки, както и за неправилен монтаж. Наточете затъпените ножове. Ако ножът е изкривен или повреден, сменете го. Проверете дали всички контролни лостове и ключове работят бързо и надеждно. Почистете и изсушете дръжките.
4. Никога не опитвайте да включите повреден или не напълно сглобен уред. В противен случай може да се причини тежко нараняване.
5. Отстранете всички инструменти за регулиране и всички ключове, преди да включите уреда. Забравен инструмент за регулиране или ключ, допиращ се към движеща се част на уреда, може да причини нараняване.
6. Регулирайте презрамката и ръкохватките, за да съответстват на ръста на оператора.
7. Когато включвате уреда в електрическото захранване, дръжте режещите приставки далеч от тялото си и други предмети, а също и далеч от земята. Те могат да се завъртят при стартиране и да причинят нараняване, повреда на уреда или материални щети.

Експлоатация

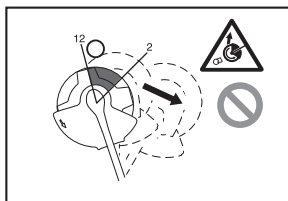
1. При авария незабавно изключете уреда.
2. Ако усетите нещо необичайно по време на работа (например шум или вибрации), изключете уреда. Не използвайте уреда, преди проблемът да бъде открит и отстранен.
3. Предупреждение. Режещата приставка продължава да се върти за кратко след изключване на уреда. Изчакайте да спре, преди да я докоснете.
4. Използвайте презрамката по време на работа. Дръжте здраво уреда от дясната си страна.
5. Не се протягайте. Винаги поддържайте добър темп и баланс, и стъпвайте стабилно. Внимавайте за скрити препятствия, като пнове, корени или ловки, за да не се препънете.
6. Никога не работете качени на стълба или дърво, за да избегнете загуба на управление.

7. Преди употреба на уреда, както и след силен удар или падане, проверете внимателно състоянието му, преди да продължите работа с него. Проверете дали инструментите за управление и предпазните устройства не са повредени. Ако има повреда или съмнения за повреда, се обърнете към нашия оторизиран сервизен център за проверка и ремонт.
8. Не докосвайте скоростната кутия. Скоростната кутия се нагрява при работа.
9. Почивайте периодично, за да не допускате загуба на управлението поради преумора. Препоръчително е да правите 10-20 минутна почивка на всеки час работа.
10. Когато оставяте уреда без надзор, дори за кратко, винаги изключвайте щепсела от захранването. Ако уредът бъде оставен включен без надзор, той може да се използва от неоторизирани лица и да причини нараняване.
11. Ако треба или клони се заклучат между режещия инструмент и предпазителя, преди да ги отстраните, изключете уреда и извадете щепсела от захранването. В противен случай режещата приставка може да се завърти при неволно включване и това да доведе до сериозно нараняване.
12. Ако режещата приставка се удари в камък или друг твърд обект, веднага изключете уреда. След това изключете щепсела от захранването и проверете състоянието на режещата приставка.
13. При работа често проверявайте режещата приставка за пукнатини и повреди. Преди проверка изключвайте щепсела на уреда от захранването и изчакайте режещата приставка да спре напълно. Сменете повредената режещата приставка незабавно, дори ако има само повърхностни пукнатини.
14. Не режете над височината на талията.
15. Преди да започнете подрязване, изчакайте докато режещата приставка достигне постоянна скорост след включване.
16. Когато използвате метален нож, движете уреда равномерно отдясно наляво, сякаш замахвате с коса.
17. Дръжте уреда само за изолираните повърхности на ръкохватките, защото ножът може да се удари в скрити кабели. Ако ножът се удари в кабели под напрежение, неизолираните метални части на уреда могат да станат проводник на електричество и да причинят токов удар на оператора.
18. Винаги проверявайте дали вентилационните отвори не са запушени от отломки.

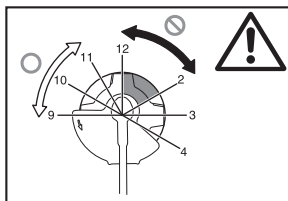
2. Винаги използвайте подходящия предпазител за използваната режеща приставка.
3. Никога не поставяйте метални режещи елементи на моделите, преназначени за работа с найлонови режещи компоненти.
4. При използване на метални ножове, се опитайте да избегнете отката и винаги бъдете подготвени за него. Вижте раздел "Откат".

Откат (на ножа)

1. Откат (на ножа) е рязка реакция на уреда в резултат на ударено или заплетено режещо острие. Когато има откат, уредът се изхвърля настрана или към оператора с голяма сила и може да причини сериозно нараняване.
2. Откатът възниква най-често, когато сегментът от режещия нож е в положение между 12 и 2 часа и се удари в твърд предмет, храст или дърво с диаметър от 3 см или повече.



3. Как да избегнете откат:
 - Прилагайте сегмента с ориентация между 8 и 11 часа;
 - Не прилагайте сегмента с ориентация между 12 и 2 часа;
 - Никога не прилагайте сегмент с ориентация между 11 и 12 часа и между 2 и 5 часа, освен ако операторът е опитен и добре обучен и реши да извърши това на своя отговорност;
 - Никога не използвайте ножа в близост до твърди предмети, например до огради, стени, стъбла на дървета и камъни.
 - Никога не използвайте ножа вертикално за приложения като подкастриране на плетове или овошки.



Режещи приставки

1. Използвайте подходящата режеща приставка за съответната задача.
 - Режещите глави с найлонова корда (подрязващите глави с корда) са подходящи за косене на тревни площи.
 - Металните ножове са подходящи за подрязване на плевели, високи тревы и подкастриране на храсти, фиданки, млади насаждения и др. подобни.
 - Никога не използвайте други режещи инструменти, включително метални многокомпонентни режещи вериги, шарнирни ножове и т.н. Това може да доведе до сериозни наранявания.

Вибрации

1. Хора, които имат проблеми с кръвообращението, може да изпитат проблеми с кръвоносните съдове или нервната система при излагане на силни вибрации. Вибрациите могат да предизвикат появата на следните симптоми в пръстите, дланите или китките: Изтръпване ("безчувственост"), мравучкане, болка, бодежи, промяна в цвета или твърдостта на кожата. При проява на някои от тези симптоми потърсете квалифицирана медицинска помощ!

2. За да намалите риска от вибрационна болест, дръжте ръцете си затоплени по време на работа и поддържайте добре уреда и аксесоарите.

Транспортиране

1. Преди да транспортирате уреда, го изключете и издържайте щепсела от електрическото захранване. Сложете предпазителя на ножа.
2. При транспортиране на уреда го носете хоризонтално, като го държите за вала.
3. При транспортиране на уреда в превозно средство, го прикрепете здраво, за да не позволите да се преобърне. В противен случай уредът и/или останалият багаж могат да се повредят.

Поддръжка

1. Сервизно обслужване на уреда трябва да се извършва от нашите оторизирани сервизи и винаги трябва да се използват само оригинални резервни части. Неправилният ремонт и лошата поддръжка могат да намалят полезния живот на уреда и увеличават риска от инциденти.
2. Преди да започнете ремонт, поддръжка или почистване на уреда, винаги го изключвайте от електрическото захранване.
3. Винаги носете предпазни ръкавици, когато трябва да докосвате ножа.
4. Винаги почиствайте праха и мръсотията от уреда. Никога не използвайте нафта, бензин, разтворител, алкохол или др. подобни препарати за тази цел. Това може да доведе до обезцветяване, деформация или напукване на пластмасовите компоненти.
5. След всяка употреба затягайте всички винтове, болтове и гайки.
6. Не се опитвайте да извършвате сами поддръжка или ремонт, които не са описани в това ръководство. За тези дейности се обърнете към нашите оторизирани сервизи.
7. Винаги използвайте само оригинални резервни части и аксесоари. Използването на части или аксесоари на трети страни може да доведе до повреда на уреда, материални щети и/или сериозно нараняване.
8. Осигурете редовното инспектиране и поддръжка на уреда от нашите оторизирани сервизи.

Съхранение

1. Преди да приберете уреда за съхранение, изпънете пълната процедура за почистване и поддръжка. Извадете щепсела от електрическия контакт. Сложете предпазителя на ножа.
2. Съхранявайте уреда на сухо и високо или заключено място, далеч от достъп на деца.
3. Не подпирайте уреда на предмети, например на стена. Той може внезапно да падне и да причини нараняване.

Първа помощ

1. Трябва винаги да имате на разположение комплект за първа помощ. Незабавно попълвайте наличностите в комплекта след употреба.
2. Когато ви е необходима медицинска помощ, винаги предоставяйте следната информация:
 - Място на злополуката
 - Какво се е случило
 - Брой на ранените лица

- Естество на нараняванията
- Своеето име

ЗАПАЗТЕ ТЕЗИ ИНСТРУКЦИИ.

⚠ ПРЕДУПРЕЖДЕНИЕ:

НЕ позволявайте удобството и познаването на уреда (в резултат на многократна употреба) да доведат до неспазване на правилата за безопасност за този продукт. **ИЗПОЛЗВАНЕТО НЕ ПО ПРЕДНАЗНАЧЕНИЕ** и неизпълнението на инструкциите за безопасност, определени в това ръководство, може да доведе до сериозни наранявания.

ОПИСАНИЕ НА КОМПОНЕНТИТЕ (Фигура. 1)

ФУНКЦИОНАЛНИ ХАРАКТЕРИСТИКИ

⚠ ПРЕДУПРЕЖДЕНИЕ:

- Винаги проверявайте дали уредът е изключен и щепселът е изваден от електрическия контакт, преди да регулирате или проверите функциите на уреда. Неизключване на уреда и неизваждане на щепсела от захранването може да доведе до сериозни наранявания поради случайно стартиране на уреда.

Действие на спусъка за включване (Фигура. 2)

⚠ ПРЕДУПРЕЖДЕНИЕ:

- Преди да включите уреда в захранването винаги проверявайте дали спусъкът за включване се задейства правилно и се връща в положение **ИЗКЛ.**, след като бъде освободен. Не натискайте силно спусъка за включване без да плъзнете лостчето за застопоряване на спусъка. В противен случай може да го счупите. Работата с уреда, ако ключа не работи надеждно, може да доведе до загуба на управлението и сериозно нараняване.

За да не се допуска случайно натискане на спусъка за включване, е предоставено лостче за застопоряване на спусъка.

За да стартирате уреда, плъзнете лостчето за застопоряване на спусъка напред и след това натиснете спусъка за включване. Освободете спусъка за включване, за да спрете уреда.

Режещата глава с найлонова корда (Фигура. 3)

БЕЛЕЖКА:

- Не се опитвайте да натиснете главата с корда, докато уредът работи на високи обороти. Натискането на главата за подаване на найлонова корда при високи обороти може да повреди режещата глава.
- Подаването на корда чрез натискане няма да има ефект, ако главата с корда не се върти.

ЗАБЕЛЕЖКА:

- Стандартните аксесоари се различават според модела и държавата.

Режещата глава с найлонова корда е двойна глава за подрязване на трева с механизъм за подаване на корда чрез натискане към земята.

За да подадете корда, натиснете режещата глава към земята, докато режещата глава се върти.

ЗАБЕЛЕЖКА:

- Ако не се подаде найлонова корда след натискане към земята на режещата глава, пренавийте/сменете найлоновата корда, като следвате процедурата описана в "Поддръжка".

Държач на кабела (Фигура. 4)

Направете малка примка със захранващия кабел и го окачете на държача за кабела.

МОНТАЖ

⚠ ПРЕДУПРЕЖДЕНИЕ:

- **Винаги проверявайте дали уредът е изключен и щепселът е изваден от електрическия контакт, преди да извършите каквито и да е действия по уреда.** Неизключване на уреда и неизваждане на щепсела от захранването може да доведе до сериозни наранявания поради случайно стартиране.
- **Никога не стартирайте уреда, ако не е сглобен напълно.** Работата с или случайното включване на ненапълно сглобен уред може да причини сериозни наранявания.

Монтиране на дръжката (Фигура. 5)

⚠ ПРЕДУПРЕЖДЕНИЕ:

- Не махайте и не намалявайте ограничителя или амортизатора. Ограничителят поддържа определено разстояние между двете ръце. Поставяне на модула на ръкохватката/барьерата твърде близо до другата ръкохватка може да доведе до загуба на управлението и сериозно нараняване.

Монтирайте дръжката и барьерата върху гумената част на тръбата на вала. Регулирайте положението на дръжката и след това затегнете четирите болта.

Одобрена комбинация от режещ инструмент и предпазител

⚠ ПРЕДУПРЕЖДЕНИЕ:

- **Винаги използвайте уреда с одобрената комбинация от защитно оборудване.** В противен случай контактът с режещия инструмент може да причини сериозни наранявания.
- **Никога не използвайте уреда без монтиран (както е показано на илюстрацията) предпазител.** Това може да доведе до сериозно нараняване.

ЗАБЕЛЕЖКА:

- Стандартните аксесоари се различават според модела и държавата.

За метален нож (Фигура. 6)

За режеща глава с найлонова корда (Фигура. 7)

Инсталиране на предпазителя за металния нож (Фигура. 8)

1. Подравнете отворите на вътрешния предпазител и скоростната кутия.
2. След това ги затегнете с трите болта.

Инсталиране на предпазителя за режеща глава с найлонова корда

⚠ ВНИМАНИЕ:

- Внимавайте да не се нараните на ножа за отрязване на найлоновата корда.
- Преди употреба не забравяйте да свалите протектора на ножа за корда.

1. Подравнете четирите болта на външния предпазител с отворите на вътрешния предпазител. **(Фигура. 9)**
2. Затегнете с четирите болта.
3. Подравнете отворите на вътрешния предпазител и скоростната кутия.
4. Затегнете ги с болтове. **(Фигура. 10)**

Инсталиране на метален нож

⚠ ПРЕДУПРЕЖДЕНИЕ:

- **Външният диаметър на ножа трябва да бъде 230 мм.** Никога не използвайте нож с външен диаметър, по-голям от 230 мм.

⚠ ВНИМАНИЕ:

- Ножът трябва да бъде добре полиран и без пукнатини или нащърбвания. Полирайте или сменяйте ножа на всеки три часа работа.
- Винаги носете предпазни ръкавици, когато трябва докосвате ножа.
- Винаги слагайте предпазителя на ножа, когато уредът не се използва или се транспортира.
- Гайката за затягане на ножа се износва с течение на времето. Ако има износване или деформация, сменете гайката. Обърнете се за ремонт към най-близкия оторизиран сервис.

БЕЛЕЖКА:

- Задължително използвайте оригинален нож.

Обърнете уреда с долната част нагоре, за да може да смените ножа по-лесно. **(Фигура. 11)**

1. Монтирайте приемната шайба на оста.
2. Завъртете приемната шайба, докато жлебът на приемната шайба съвпадне с жлеба на скоростната кутия.
3. Мушнете кръглата шина през двата жлеба, така че приемната шайба да не може да се върти.
4. Поставете ножа на приемната шайба.
5. Поставете фиксиращата шайба на ножа.
6. Поставете чашката на ножа.
7. Затегнете ги с гайката, като я въртите обратно на часовниковата стрелка, докато държите кръглата шина.

За да демонтирате ножа, изпълнете горепосочените стъпки в обратен ред.

Инсталиране на режеща глава с найлонова корда (Фигура. 12)

БЕЛЕЖКА:

- Задължително използвайте оригинална режеща глава с найлонова корда.

Обърнете уреда с долната част нагоре, за да може да смените режещата глава с найлонова корда по-лесно.

ЗАБЕЛЕЖКА:

- Преди използване свалете предпазителя на ножа за кордата.
- 1. Монтирайте приемната шайба на оста.
- 2. Завъртете приемната шайба, докато жлебът на приемната шайба съвпадне с жлеба на скоростната кутия.
- 3. Мушнете кръглата шина през двата жлеба, така че приемната шайба да не може да се върти.
- 4. Поставете режещата глава с найлонова корда, като я завъртите обратно на часовниковата стрелка.

5. Свалете кръглата шина след като монтирате режещата глава с найлонова корда.

За да демонтирате режещата глава с найлонова корда, изпълнете горепосочените стъпки в обратен ред.

ЕКСПЛОАТАЦИЯ

Правилна работа с уреда (Фигура. 13)

Правилна стойка

ПРЕДУПРЕЖДЕНИЕ:

- **Винаги дръжте уреда от дясната си страна, така че бариерата да е винаги пред тялото Ви.** Правилната позиция на уреда позволява максимален контрол и свежда до минимум риска от сериозно нараняване поради откат.

ВНИМАНИЕ:

- **Ако по време на работа режещият инструмент се удари в камък или в твърд предмет, спрете уреда и проверете за повреди.** В случай че режещият инструмент е повреден, сменете го незабавно. Използването на повреден режещ инструмент може да доведе до сериозно нараняване.

Поставете презрамката на лявото си рамо, като промушите главата и дясната си ръка през нея и дръжте уреда винаги от дясната си страна с бариера пред тялото Ви.

Прикрепяне на презрамката (Фигура. 14)

Регулирайте дължината на презрамката, така че режещия инструмент да бъде успоредно за повърхността на земята.

Свържете закачалката и презрамката.

ПРЕДУПРЕЖДЕНИЕ:

- **Много внимавайте да не загубите управлението на уреда.** Не позволявайте уреда да се отклони към Вас или към друг човек, който работи наблизо. Загубата на управлението на уреда може да доведе до сериозни наранявания на оператора или други хора, стоящи наблизо.

Регулиране на позицията на закачалката и презрамката (Фигура. 15)

Регулирайте позицията на закачалката, както е показано на илюстрацията. (Фигура. 16)

За да промените позицията на закачалката, разхлабете болта на закачалката. Преместете закачалката.

След като регулирате позицията ѝ, затегнете добре болта с ключа.

ПОДДРЪЖКА

ПРЕДУПРЕЖДЕНИЕ:

- **Винаги проверявайте дали уредът е изключен и щепселът е изваден от електрическия контакт преди инспекция или поддръжка на уреда.** Неизключване на уреда и неизваждане на щепсела от захранването може да доведе до сериозни наранявания поради случайно стартиране.

БЕЛЕЖКА:

- Никога не използвайте нафта, бензин, разтворител, алкохол или др. подобни препарати. Това може да доведе до обезцветяване, деформация или напукване.

Смяна на найлоновата режеща корда (Фигура. 17)

ПРЕДУПРЕЖДЕНИЕ:

- **Преди работа се уверете се, че режещата глава с найлонова корда е правилно монтирана в уреда.** Неправилно монтираната режещата глава с найлонова корда може излети от уреда и да причини сериозно нараняване.

1. Свалете режещата глава с найлонова корда.
2. Махнете предпазителя, натиснете двата щифта, които са в жлебовете в противоположните краища на чашката.
3. Свалете ролката. Махнете старата найлонова корда от ролката.
4. Отрежете 3 – 6 м найлонова корда. Сгънете режещата корда на две, като оставите едната половина с 80 – 100 мм по дълга от другата. (Фигура. 18)
5. Закачете средата на новата найлонова корда в жлеба, който е разположен в центъра на ролката между двата канала за найлонова корда. (Фигура. 19)
6. Навийте двата края стегнато по каналите в посоката, показана от стрелките на ролката. (Фигура. 20)
7. Премахнете найлоновата корда през отворите, така че да излезе от чашката.
8. Изравнете изпъкналият елемент отдолу на предпазителя с жлебовете в процепите. След това натиснете силно предпазителя към корпуса, за да го застопорите. Проверете дали щифтовете са се отворили докрай в предпазителя.

За да се поддържа БЕЗОПАСНОСТТА и НАДЕЖДНОСТТА на продукта, ремонтът, както и всички други действия по поддръжката и настройката, трябва да се извършват от оторизираните сервисни центрове на Makita и да се използват само резервни части Makita.

ПЕРИОД НА ПОДДРЪЖКА

Компоненти:	Интервал:	Метод:
Кабел за захранване	Всеки път преди употреба	Визуално проверете дали не е много износен или повреден. Ако е повреден, се обърнете за ремонт към местен оторизиран сервиз.
Винт на допълнителната дръжка	Всеки път преди употреба	Проверете дали винта не е разхлабен. Ако е разхлабен, затегнете го. Сменете винта, ако е повреден.
Предпазител за режещия инструмент (протектор)	Всеки път преди употреба	Проверете дали няма разхлабен винт и дали предпазителят не е повреден. Ако има разхлабен винт, затегнете го. Сменете предпазителя, ако е повреден.
Метален нож	На всеки 10 часа	Смазвайте с антикорозионно масло след всяка употреба. Проверете за повреди. Сменете го, ако е повреден.
Режеща глава с найлонова корда	На всеки 10 часа	Визуално проверете дали не е много износена или повредена. Ако е повредена, сменете я.
Задвижващ вал	На всеки 10 часа	Смазвайте с антикорозионно масло.

ОТСТРАНЯВАНЕ НА НЕИЗПРАВНОСТИ

Преди да поискате ремонт, първо инспектирайте уреда сами. Ако откриете проблем, който не е описан в това ръководство, не се опитвайте да разглобите уреда. Вместо това, поискайте уредът да бъде ремонтиран от оторизираните сервизи на Makita, които използват само резервни части Makita.

Статус на неизправност	Причина	Действие
Двигателят не работи.	Захранването не е включено.	Включете захранването.
	Захранващият кабел е прекъснат.	Обърнете се за ремонт към оторизиран сервиз.
	Задвижващата система не работи добре.	
Двигателят спира след кратка работа.	Прегряване.	Спрете работа с уреда и го оставете да се охлади.
Уредът не достига максимални обороти.	Задвижващата система не работи добре.	Обърнете се за ремонт към оторизиран сервиз.
Режещият инструмент не се върти: спрете веднага уреда!	Чуждо тяло, например клон, може да се е заклещило между предпазителя и режещия инструмент.	Махнете чуждото тяло.
	Гайката за затягане на ножа е разхлабена.	Затегнете надлежно гайката, както е описано в това ръководство.
	Ножът е изкривен.	Сменете ножа.
	Задвижващата система не работи добре.	Обърнете се за ремонт към оторизиран сервиз.
Необичайни вибрации: спрете веднага уреда!	Единият край на найлоновата корда е скъсан.	Натиснете режещата глава с найлонова корда към земята, докато тя се върти, за да подадете корда.
	Ножът е изкривен, пукнат или износен.	Сменете ножа.
	Гайката за затягане на ножа е разхлабена.	Затегнете надлежно гайката, както е описано в това ръководство.
	Ножът не е затегнат правилно.	
Задвижващата система не работи добре.	Обърнете се за ремонт към оторизиран сервиз.	
Режещият инструмент и двигателят не спират: Изключете веднага щепсела от захранването!	Неизправност е електрическата или електронна система.	Изключете щепсела от захранването и се обърнете за ремонт към местен оторизиран сервиз.

АКСЕСОАРИ, КОИТО СЕ ПРЕДЛАГАТ КАТО ОПЦИЯ

ВНИМАНИЕ:

- Тези аксесоари или приставки се препоръчват за използване с Вашия уред Makita, описан в това ръководство. Използването на други аксесоари и приставки може да създаде опасност от нараняване. Използвайте аксесоарите и приставките само според предназначението им.

Ако имате нужда от повече информация или съвет относно тези аксесоари, моля, обърнете се към местния сервиз на Makita.

- Метален нож
- Режеща глава с найлонова корда
- Найлонова корда (режеща корда)
- Презрамки

ЗАБЕЛЕЖКА:

- Някои продукти от списъка могат да бъдат включени в опаковката на уреда като стандартни аксесоари. Те може да са различни за различните държави.

Objašnjenje općeg prikaza

1 Držač kabela	10 Rezni alat	20 Oštrica
2 Kabel napajanja (oblik može varirati, ovisno o zemlji)	11 Remen za rame	21 Uskočnik
3 Stražnja ručka	12 Amortizer	22 Kućište glave
4 Poluga za blokadu	13 Najučinkovitije područje rezanja	23 Matica
5 Uključno/isključna sklopka	14 Ručka	24 Najlonska rezna glava
6 Prednja ručka	15 Gumeni dio	25 Rezač užeta
7 Kuka (mjesto za vješanje)	16 Unutarnji štitnik	26 Poklopac
8 Barijera	17 Vanjski štitnik	27 Kuka
9 Štitnik (reznog alata)	18 Podloška glave	28 80 – 100 mm
	19 Šipkica	29 Namotak

SPECIFIKACIJE

Model	UR2300	UR3502
Vrsta ručke	Polukružna ručka	
Ukupna duljina	1630 mm	
Nazivna ulazna snaga	1000 W	
Brzina bez opterećenja	5700 min ⁻¹	5700 min ⁻¹
Rezni alat	Rezna oštrica	Najlonska rezna glava
Širina rezanja	230 mm	350 mm
Neto težina	4,7 kg	4,9 kg
Sigurnosni razred	II	

- Zahvaljujući stalnom programu istraživanja i razvoja, ovdje iznesene specifikacije podložne su promjeni bez prethodne najave.
- Specifikacije se mogu razlikovati ovisno o zemlji.
- Težina prema EPTA Postupku 01/2003

Buka		Prosječna razina zvučnog tlaka		Prosječna razina jačine zvuka		Primjenjivi standard
Rezni alat	L _{PA} (dB(A))	Neodređenost K (dB(A))	L _{WA} (dB(A))	Neodređenost K (dB(A))		
Rezna oštrica	80,8	2,5	93,45	1,23	EN 60335-1, EN 50636-2-91, EN ISO 11806	
Najlonska rezna glava	85,3	2,5	93,84	1,58		

- Nosite zaštitu za sluh.

Vibracija		Prednja drška		Stražnja drška		Primjenjivi standard
Rezni alat	a _h (m/s ²)	Neodređenost K (m/s ²)	a _h (m/s ²)	Neodređenost K (m/s ²)		
Rezna oštrica	2,856	1,5	2,712	1,5	EN 60335-1, EN 50636-2-91, EN ISO 11806	
Najlonska rezna glava	2,768	1,5	2,694	1,5		

- Navedena vrijednost za vibracije izmjerena je prema standardnom ispitnom postupku i može se koristiti za uspoređivanje jednog alata s drugim.
- Navedena vrijednost za vibracije može se koristiti za početnu procjenu izloženosti.
- Utvrdite sigurnosne mjere za zaštitu rukovatelja koje se temelje na procjeni izloženosti u stvarnim uvjetima rada (uzimajući u obzir sve dijelove radnog ciklusa kao što je vrijeme kada se alat isključivao i kada je radio u praznom hodu uz vrijeme potrebno za pokretanje).

⚠ UPOZORENJE:

- Vibracije tijekom rada električnim alatom mogu se razlikovati od navedenih podataka ovisno o načinu na koji se alat koristi.

Simboli

Sljedeće prikazuje simbole koji se koriste za opremu. Prije korištenja uvjerite se da ste razumjeli njihovo značenje.



- Budite iznimno pažljivi i pozorni.



- Pročitajte priručnik s uputama.



- Opasnost; pazite na izbačene predmete.



- Udaljenost između alata i promatrača mora biti najmanje 15 m.



- Držite promatrače podalje od alata.



- Nosite kacigu, naočale i štitnike za uši.



- Nosite zaštitne rukavice.



- Nosite robusne čizme s potplatima koji se ne kliču. Preporučuje se nošenje sigurnosnih čizma s čeličnom zaštitom za prste.



- Ne izlažite vlagi.



- Iskopčajte utikač ako se kabel ošteti ili zapetlja.



- Izbjegavajte povratni trzaj.



- Držite najmanje 15 m razmak.



- DVOSTRUKA IZOLACIJA



- Samo za države članice EU-a
Električnu opremu nemojte odlagati zajedno s otpadom iz kućanstva!
Poštujući Europsku direktivu o električnoj i elektroničkoj opremi i njenu provedbu u skladu s nacionalnim pravom, električna oprema kojoj je istekao vijek trajanja mora se prikupljati zasebno i vraćati u odgovarajuće ekološko reciklažno dvorište.

EC IZJAVA O SUKLADNOSTI

Samo za europske zemlje

EC izjava o sukladnosti priložena je kao Prilog A ovim uputama za upotrebu.

Opća sigurnosna upozorenja za električne ručne alate

⚠ UPOZORENJE Pročitajte sva sigurnosna upozorenja i sve upute. Nepridržavanje upozorenja i uputa može dovesti do strujnog udara, požara i/ili ozbiljne ozljede.

Sačuvajte sva upozorenja i upute radi kasnijeg korištenja.

Pojam „električni alat“ u upozorenjima odnosi se na električni (kabelski) alat uključen u struju ili na bežične električne alate (na baterije).

Sigurnost radnog područja

1. **Držite radno područje čisto i uredno.** U neredu i mraku radna su područja izložena nezgodama.
2. **Nemojte raditi s električnim alatima u eksplozivnim uvjetima, kao npr. u prisutnosti zapaljivih tekućina, plinova ili prašine.** Električni alati stvaraju iskre koje mogu zapaliti prašinu ili pare.
3. **Tijekom korištenja električnog alata držite podalje djecu i ostale osobe.** Ako vas ometaju možete izgubiti kontrolu.

Električna sigurnost

4. **Utičkači uređaja moraju odgovarati utičnici. Ni na koji način ne vršite izmjene na utikaču.** Nemojte koristiti adapterske utikače s uzemljenim električnim alatima. Neizmijenjeni utikači i odgovarajuće utičnice smanjuju rizik od električnog udara.
5. **Izbjegavajte kontakt tijela s uzemljenim površinama kao što su cijevi, radijatori, štednjaci i hladnjaci.** Ako je vaše tijelo uzemljeno, opasnost od električnog udara je veća.
6. **Ne izlažite električne alate kiši ili mokrim uvjetima.** Voda koja ulazi u električni alat povećava opasnost od električnog udara.
7. **Nemojte pogrešno koristiti kabel.** Nikada ne koristite kabel za nošenje, povlačenje ili isključivanje utikača iz utičnice. Držite kabel podalje od izvora topline, ulja, oštih rubova ili pomičnih dijelova. Oštećeni ili zapetljani kabeli povećavaju opasnost od električnog udara.
8. **Kada električnim uređajem radite na otvorenom, koristite samo produžni kabel odobren za uporabu na otvorenom.** Korištenje kabela prikladnog za uporabu na otvorenom smanjuje rizik od električnog udara.
9. **Ako je korištenja električnog alata u vlažnom mjestu neizbježno, koristite zaštićeno napajanje pomoću uređaja za rezidualni napon (RCD).** Korištenje RCD-a smanjuje opasnost od električnog udara.
10. **Uvijek se preporučuje uporaba izvora napajanja zaštićenih uređajem diferencijalne struje jakosti 30 mA ili manje.**

Osobna sigurnost

11. **Budite na oprezu, gledajte što radite i koristite zdrav razum prilikom rada s električnim alatom.** Ne koristite uređaj ako ste umorni ili pod utjecajem droga, alkohola ili lijekova. Trenutak nepažnje kod uporabe električnih alata može dovesti do ozbiljnih ozljeda.
12. **Koristite se osobnom zaštitnom opremom.** Uvijek nosite zaštitu za oči. Zaštitna oprema, poput maske za prašinu, protuklizne zaštitne obuće, kacige ili štitnika za uši, korištena u odgovarajućim uvjetima smanjuje mogućnost tjelesnih ozljeda.

13. **Spriječite nenamjerno uključivanje.** Prije priključivanja na izvor napajanja i/ili bateriju, podizanja ili nošenja alata, provjerite je li sklopka u isključenom položaju. Nošenje električnog alata s prstom na uključno-isključnoj sklopki ili aktiviranje električnih alata s uključno-isključnom sklopkom u uključenom položaju prizivaju nezdode.
14. **Uklonite sve ključeve za prilagođavanje ili vijčane ključeve prije uključivanja napajanja alata.** Alat ili ključ koji se nalaze u rotirajućem dijelu uređaja mogu dovesti do ozljede.
15. **Ne približavajte se previše. U svakom trenutku imajte odgovarajući oslonac i održavajte ravnotežu.** Ovo omogućuje bolju kontrolu električnog alata u neočekivanim situacijama.
16. **Odjenite se ispravno. Ne nosite široku odjeću ili nakit.** Držite kosu, odjeću i rukavice dalje od pomičnih dijelova. Široku odjeću, nakit ili dugu kosu mogu zahvatiti pomični dijelovi.
17. **Ako uređaji imaju predviđeni priključak za usisavanje prašine i prikupljanje sadržaja, provjerite jesu li ispravno povezani i koriste li se pravilno.** Korištenje uređaja za prikupljanje prašine može smanjiti opasnosti povezane s prašinom.

Korištenje i održavanje električnih alata

18. **Nemojte primjenjivati silu na alat.** Koristite ispravan električni alat za svoj rad. Ispravan električni alat izvršit će potrebne radnje bolje i sigurnije, u onoj mjeri za koju je izrađen.
19. **Ne koristite električni alat ako se uključno-isključna sklopka ne može uključiti ili isključiti.** Svi su električni alati koji se ne mogu kontrolirati putem sklopke napajanja opasni i potrebno ih je popraviti.
20. **Izvucite utikač iz utičnice i/ili izvadite bateriju iz električnog alata prije bilo kakve prilagodbe, izmjene pribora ili pohranjivanja električnog alata.** Takve preventivne zaštitne mjere smanjuju opasnost od slučajnog uključivanja električnog alata.
21. **Električne alate dok nisu uporabi držite izvan dohvata djece i ne dopuštajte osobama koje nisu upoznate s njima da njima rukuju.** Električni alati opasni su u rukama neiskusne osobe.
22. **Održavanje električnog alata.** Provjerite centriranost, povezanost pokretnih dijelova i cjelovitost dijelova te sve druge uvjete koji mogu utjecati na rad električnih alata. Ako su oštećeni, popravite ih prije uporabe. Mnoge su nezdode uzrokovane nepravilnim održavanjem električnih alata.
23. **Držite alati za rezanje oštre i čiste.** Pažljivo održavani rezni alati s oštirim oštricama neće se zaglaviti i lakši su za vođenje.
24. **Koristite električni alat, pribor i alate, itd., u skladu s ovim uputama, uzimajući u obzir radne uvjete i radove koji se izvode.** Korištenje električnog alata za radnje različite od onih za koje je namijenjen može biti opasno.

Servisiranje

25. **Neka vaš električni alat servisira kvalificirana osoba, koristeći samo identične rezervne dijelove.** Na taj se način održava sigurnost električnog alata.
26. **Slijedite upute za podmazivanje i izmjenu pribora.**
27. **Ručke održavajte suhe, čiste i zaštićene od ulja i masnoće.**

VAŽNE SIGURNOSNE UPUTE

⚠ UPOZORENJE! Pročitajte **sva** sigurnosna upozorenja i **sve** upute. Nepridržavanje upozorenja i uputa može dovesti do strujnog udara, požara i/ili ozbiljne ozljede.

Sačuvajte sva upozorenja i upute radi kasnijeg korištenja.

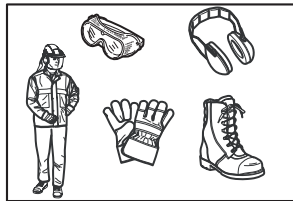
Namjena alata

1. Trimer za travu / kosilica s četkom / kosa na nit namijenjena je isključivo rezanju trave, korova, grmlja i niskog raslinja. Ne smije se koristiti ni u koju drugu svrhu kao što je rezanje živice jer može doći do ozljede.

Opće upute

1. Nikada nemojte dopustiti osobama koje nisu upoznate s ovim uputama, osobama (uključujući i djecu) sa smanjenim fizičkim, osjetilnim ili mentalnim sposobnostima ili s nedovoljnim iskustvom i znanjem, da koriste alat. Djeca moraju biti pod nadzorom kako biste se uvjerali da se ne igraju s uređajem.
2. Prije pokretanja alata pročitajte ove upute za korištenje kako biste se upoznali s njegovim rukovanjem.
3. Ne posuđujte alat osobama s nedovoljno iskustva ili znanja o tome kako rukovati kosilicama s četkom i kosama na nit.
4. Kada posuđujete alat, uvijek priložite i ove upute za uporabu.
5. Koristite alat s iznimnom pažnjom i pozornošću.
6. Nikada nemojte rukovati alatom ako ste utjecajem alkohola ili droga, ili ako ste umorni ili bolesni.
7. Nikada ne pokušavajte modificirati alat.
8. Pripazite da vas ne ozlijedi neki od uređaja koji se koristi za skraćivanje rezne niti. Nakon produjivanja nove rezne niti uvijek vratite uređaj u izvorni položaj za rad prije nego ga uključite.
9. Poštujte zakone svoje zemlje koji se odnose na rukovanje kosilicama s četkama i kosama na nit.

Osobna zaštitna oprema



1. Nosite zaštitnu kacigu, naočale i rukavice kako bi se zaštitili od letućih otpadaka ili padajućih predmeta.
2. Nosite štitnike za uši kako bi spriječili oštećenje sluha.
3. Obucite primjerenu odjeću i cipele za sigurno rukovanje, kao što je radni kombinezon i robusne cipele s potplatima koji se ne klizu. Ne nosite široku odjeću ili nakit. Široka odjeća, nakit ili duga kosa mogu se zaplesti u pokretne dijelove.
4. Kada dodirujete reznu oštricu, nosite zaštitne rukavice. Rezne oštrice mogu ozbiljno porezati nezaštićene ruke.

Sigurnost radne površine

1. Koristite alat isključivo u uvjetima dobre vidljivosti i danjeg svjetla. Ne koristite alat ako je mrčno ili maglovito.
2. Ne rukujte alatom u eksplozivnom okruženju poput u blizini zapaljivih tekućina, plinova ili prašine. Stroj stvara iskre koje mogu zapaliti prašinu ili isparavanje.
3. Kada koristite alat, nikada nemojte stajati na nestabilnim, klizavim ili strmim površinama. Tijekom hladnije sezone, izbjegavajte led i snijeg i uvijek osigurajte sigurno uporište.
4. Kada koristite alat, držite promatrače ili životinje na udaljenosti od barem 15 m. Primijetite li da se netko približava, zaustavite alat.
5. Prije korištenja alata, s radne površine uklonite kamenje ili druge čvrste predmete. Mogu odletjeti ili biti opasno odbačeni te uzrokovati teške ozljede i/ili oštetiti imovinu.
6. **⚠ UPOZORENJE:** Korištenjem ovog proizvoda može se proizvesti prašina koja sadrži kemikalije koje mogu uzrokovati dišne ili druge bolesti. Neki primjeri takvih kemikalija su spojevi koji se mogu pronaći u pesticidima, insekticidima, gnojivima i herbicidima. Razina rizika od izloženosti takvim kemikalijama varira, ovisno o tome koliko često obavljate ovu vrstu posla. Kako biste smanjili svoju izloženost takvim kemikalijama: radite u dobro prozračenom prostoru i s odobrenom zaštitnom opremom, kao što su maske za zaštitu od prašine, posebno osmišljene za filtriranje mikroskopskih čestica.

Električna sigurnost

1. **Utikači električnog alata moraju odgovarati utičnici. Nemojte modificirati utikač na bilo koji način. Nemojte koristiti utikače prilagodnika s uzemljenim električnim alatima.** Nemodificirani utikači i odgovarajuće utičnice smanjuju rizik od strujnog udara.
2. **Izbjegavajte tjelesni kontakt s uzemljenim površinama kao što su cijevi, radijatori, štednjaci i hladnjaci.** Postoji povećani rizik od strujnog udara ako je vaše tijelo uzemljeno.
3. Alat nemojte koristiti na vlažnim ili mokrim mjestima niti ga izlagati kiši. Ulazak vode u alat može povećati rizik od strujnog udara.
4. **Nemojte zloupotrebjavati kabel. Nikada nemojte koristiti kabel za nošenje, povlačenje ili isključivanje električnog alata. Držite kabel dalje od topline, ulja, oštih rubova ili pomičnih dijelova.** Oštećeni ili zapetljani kabeli povećavaju rizik od strujnog udara.
5. Nemojte koristiti alat ako ga se pritiskom na prekidač ne može uključiti ili isključiti. Bilo koji alat kojim se ne može upravljati pomoću prekidača je opasan i mora se popraviti.
6. **Kada koristite električni alat na otvorenom, koristite produžni kabel prikladan za primjenu na otvorenom.** Uporabom kabela prikladnog za primjenu na otvorenom smanjujete rizik od strujnog udara.
7. **Ako je rad električnim alatom na vlažnom mjestu neizbježan, koristite zaštitni uređaj diferencijalne struje (RCD).** Uporaba zaštitnog uređaja diferencijalne struje smanjuje rizik od strujnog udara.
8. **Uvijek se preporučuje uporaba izvora napajanja zaštićenih uređajem diferencijalne struje jakosti 30 mA ili manje.**

9. Spriječite slučajno pokretanje. Provjerite je li prekidač u položaju „isključeno“ (OFF) prije povezivanja na izvor napajanja, podizanja ili nošenja alata. Nošenje električnih alata s prstom na prekidaču ili uključivanje u struju električnih alata kod kojih je prekidač na „uključeno“ (ON) može uzrokovati nezgode.
10. Prije uporabe provjerite kabel napajanja i produžni kabel radi znakova oštećenja ili starenja.
11. Ako se kabel tijekom uporabe ošteti, odmah ga iskopčajte iz izvora napajanja. **Ne dodirujte kabel prije iskopčavanja iz izvora napajanja.**
12. Nemojte koristiti alat ako su kabeli oštećeni ili istrošeni.
13. Držite produžni kabel dalje od elemenata za rezanje.
10. Kada se udaljavate od alata, čak i na vrlo kratko vrijeme, uvijek iskopčajte utikač iz napajanja. Alat ostavljen bez nadzora i ukopčan u izvor napajanja mogla bi pokušati koristiti neovlaštena osoba i uzrokovati ozbiljnu nezgodu.
11. Ako trava ili grančice zapnu između priključka za rezanje i štitnika, prije čišćenja uvijek prvo isključite alat i iskopčajte utikač iz izvora napajanja. U suprotnom priključak za rezanje može se početi nekontrolirano okretati i uzrokovati ozbiljne ozljede.
12. Ako priključak za rezanje udari o kamen ili neke druge čvrste predmete, odmah isključite alat. Zatim iskopčajte utikač i pregledajte priključak za rezanje.
13. Tijekom rada često provjeravajte ima li na priključku za rezanje pukotina ili oštećenja. Prije obavljanja pregleda, iskopčajte utikač iz izvora napajanja i pričekajte dok se priključak za rezanje ne prestane u potpunosti okretati. Odmah zamijenite oštećeni priključak za rezanje, čak i ako su prisutne samo manje površinske pukotine.
14. Nikada nemojte rezati iznad visine struka.
15. Prije nego što započnete s radom i nakon što uključite alat, pričekajte da priključak za rezanje postigne konstantnu brzinu.
16. Kada koristite metalne oštrice, ravnomjerno zamahujte alatom polukružnim pokretima s desna na lijevo, kao da koristite klasičnu kosu.
17. Alat držite samo za izolirane rukohvate jer rezna oštrica može dodirnuti skrivene žičane spojeve. U slučaju kontakta reznih oštrica sa žicom pod naponom, napon se može prenijeti na metalne dijelove alata i izazvati strujni udar rukovatelja.
18. Uvjerite se da su otvori za zrak očišćeni od naslaga prljavštine.

Pokretanje alata

1. Prije sastavljanja ili podešavanja alata iskopčajte utikač iz izvora napajanja.
2. Prije rukovanja reznom oštricom, obucite zaštitne rukavice.
3. Prije uključivanja na napajanje provjerite je li alat oštećen, ima li otpuštenih vijaka i matica i je li pravilno sastavljen. Naoštrite tupe rezne oštrice. Ako je rezna oštrica savijena ili oštećena, zamijenite je. Provjerite sve kontrolne poluge i prekidače kako bi osigurali jednostavno upravljanje. Očistite i osušite rukohvate.
4. Nikada ne pokušavajte uključiti alat ako je oštećen ili nije u potpunosti sastavljen. U suprotnom može doći do ozbiljnih tjelesnih ozljeda.
5. Uklonite svaki ključ za podešavanje ili francuski ključ prije nego što uključite alat. Ključ za podešavanje ili francuski ključ koji ostane pričvršćen na rotirajući dio alata, može prouzročiti ozljedu.
6. Prilagodite remen za rame i ručku tako da odgovaraju veličini tijela rukovatelja.
7. Prije uključivanja na napajanje, držite priključak za rezanje na sigurnoj udaljenosti od tijela i drugih predmeta, uključujući i tlo. Može se početi okretati kada ga uključite i uzrokovati ozljedu ili oštetiti alat ili imovinu.

Rad

1. U slučaju nužde, odmah isključite alat.
2. Primijetite li bilo što neobično (npr. zvuk, vibracije) tijekom rada, isključite alat. Ne koristite alat dok se ne pronađe i ukloni uzrok takvog stanja.
3. Upozorenje. Nakon što se alat isključi, priključak za rezanje nastavlja se još kraće vrijeme okretati. Nemojte odmah dirati priključak za rezanje.
4. Tijekom rada koristite remen za rame. Alat držite čvrsto na svojoj desnoj strani.
5. Ne rastežite se prekomjerno. Održavajte ravnotežu u svakom trenutku. Pazite na skrivene prepreke kao što su panjevi, korijenje i jarci.
6. Nikada nemojte raditi na ljestvama ili drveću kako biste izbjegli gubitak kontrole.
7. Prije uporabe stroja i nakon bilo kakvog udarca ili pada, provjerite stanje prije nego to nastavite s radom. Provjerite rade li kontrole i sigurnosni uređaji ispravno. Postoje li oštećenja ili ako sumnjate na oštećenja, obratite se svojem ovlaštenom servisu za pregled i popravak.
8. Ne dirajte kutiju mjenjača. Kutija mjenjača zagrijava se tijekom rada.
9. Povremeno se odmorite kako biste izbjegli gubitak kontrole uzrokovan umorom. Preporučamo odmor u trajanju od 10 do 20 minuta svakih sat vremena.

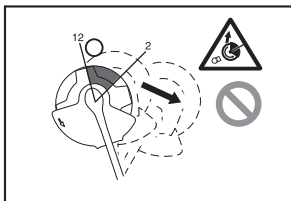
Priključci za rezanje

1. Koristite odgovarajući priključak za rezanje ovisno o poslu koji je potrebno obaviti.
 - najlonske rezne glave (glave trimera s nitima) prikladne su za košnju trave na travnjacima.
 - metalne oštrice prikladne su za rezanje korova, visoke trave, gmlja, niskog raslinja, žbunja, gustiša i sličnog.
 - nikada nemojte koristiti druge oštrice, uključujući metalne zglobne lance sastavljene od više usporednih nizova čeličnih pločica i oštrice koje rade po načelu mlaćenja. To može dovesti do ozbiljnih ozljeda.
2. Uvijek koristite zaštitni priključak koji posebno odgovara priključku za rezanje koji se koristi.
3. Nikada nemojte stavljati metalne elemente za rezanje na modele namijenjene za rezanje s najlonskim nitima.
4. Kada koristite metalne oštrice, izbjegavajte „povratni trzaj“ i uvijek se pripremite na slučajni „povratni trzaj“. Pogledajte odjeljak „Povratni trzaj“.

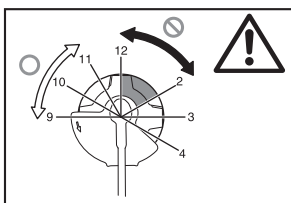
Povratni trzaj (Potisak oštrice)

1. Povratni trzaj (potisak oštrice) je snažna reakcija na reznu oštricu koja je zapela ili je zapletena. Kada se to dogodi, alat odjednom naglo i snažno povuče u stranu ili prema rukovatelju i može uzrokovati ozbiljne ozljede.

- Do povratnog trzaja posebno može doći kada se primjenjuje segment oštrice između 12 i 2 sata u odnosu na čvrste predmete, grmlje i drveće promjera 3 cm ili više.



- Da biste izbjegli povratni trzaj:
 - primijenjujte segment između 8 i 11 sati.
 - nikada ne primijenjujte segment između 12 i 2 sata.
 - nikada ne primijenjujte segment između 11 i 12 sati i između 2 i 5 sati, osim ako je rukovatelj prošao odgovarajuću obuku, ima puno iskustva te to čini na vlastiti rizik.
 - nikada ne koristite rezne oštrice blizu čvrstih predmeta, kao što su ograde, zidovi, debla stabala i kamenje.
 - nikada ne koristite rezne oštrice okomito, kod radova kao što je uređenje rubova i podrezivanje živice.



Vibracije

- Ljudi sa slabijom cirkulacijom koji su izloženi prekomjernim vibracijama mogu zadobiti ozljede krvnih žila ili živčanog sustava. Vibracije mogu uzrokovati pojavu sljedećih simptoma u prstima, rukama ili šakama: utrnuće (mrtvilo), trnce, bol, osjećaj probadanja, promjene u boji kože ili drug promjene na koži. Pojavi li se bilo koji od ovih simptoma, obratite se svom liječniku!
- Kako bi se smanjio rizik od pojave „bolesti bijelih prstiju“, držite prste ugrijanima tijekom rada i pravilno održavajte alat i pribor.

Transportiranje

- Prije transportiranja alata, isključite ga i iskopčajte utikač iz izvora napajanja. Postavite poklopac na reznu oštricu.
- Kod transportiranja alata, nosite ga u horizontalnom položaju, držeći ga za osovinu.
- Kod transportiranja alata u vozilu, odgovarajuće ga pričvrstite kako bi se izbjeglo preokretanje. U suprotnom može doći do oštećenja alata ili prtljage.

Održavanje

- Održavanje vašeg alata morate prepustiti ovlaštenom servisnom centru, uvijek koristeći isključivo originalne rezervne dijelove. Neispravni popravci i loše održavanje mogu skratiti životni vijek alata i povećati rizik od nezgoda.

- Prije svakog održavanja, popravka ili čišćenja alata, uvijek ga isključite i iskopčajte utikač iz izvora napajanja.
- Uvijek nosite zaštitne rukavice kada rukujete reznom oštricom.
- Uvijek očistite alat od prašine i prljavštine. Nikada nemojte koristiti benzin, mješavinu benzina, razrjeđivač, alkohol ili slično. Kao rezultat može se izgubiti boja, pojaviti deformacija ili pukotine na plastičnim dijelovima alata.
- Nakon svakog korištenja, učvrstite sve vijke i matice.
- Ne pokušavajte sami održavati niti popravljati alat ako taj postupak nije opisan u uputama za korištenje. Takve poslove zatražite da obavi naš ovlašteni servisni centar.
- Uvijek koristite isključivo originalne rezervne dijelove i pribor. Korištenje dijelova i pribora koje dobavlja treća strana može rezultirati kvarom alata, nanošenjem štete imovini, i/ili teškim ozljedama.
- Od našeg ovlaštenog servisnog centra zatražite da obavlja redovne preglede i održavanje alata.

Skладиštenje

- Prije skladištenja alata, obavite cjelovito čišćenje i održavanje. Iskopčajte utikač iz izvora napajanja. Postavite poklopac na reznu oštricu.
- Alat pohranite na suho i povišeno ili zaključano mjesto, izvan dohvata djece.
- Alat nemojte nigdje naslanjati, kao primjerice na zid. U suprotnom može iznenada pasti i uzrokovati ozljedu.

Prva pomoć

- Uvijek pri ruci imajte paket prve pomoći. Odmah zamijenite svaki artikl koji izvadite iz prve pomoći i iskoristite.
- Kada zatražite pomoć, dajte sljedeće informacije:
 - mjesto nesreće
 - što se dogodilo
 - broj ozlijeđenih osoba
 - koja je priroda ozljede
 - Vaše ime

SAČUVAJTE OVE UPUTE.

⚠ UPOZORENJE:

NEMOJTE dozvoliti da udobnost ili znanje o proizvodu (stečeno stalnim korištenjem) zamijene strogo pridržavanje sigurnosnih propisa za određeni proizvod. **ZLOUPORABA** ili nepridržavanje sigurnosnih propisa navedenih u ovim uputama za uporabu mogu prouzročiti ozbiljne ozljede.

OPIS DIJELOVA (Slika 1)

FUNKCIONALNI OPIS

⚠ UPOZORENJE:

- Prije provjere funkcija alata obavezno isključite alat i izvucite priključni kabel iz utičnice. Ako ne isključite alat i ne izvucete priključni kabel iz utičnice, možete pretrpjeti ozbiljne tjelesne ozljede zbog nenamjernog pokretanja.

Radnja uključivanja napajanja (Slika 2)

⚠ UPOZORENJE:

- Prije uključivanja na napajanje provjerite radi li uključno/isključna sklopka i vraća li se u položaj „OFF“ (Isklj.) nakon otpuštanja. Nemojte snažno povlačiti uključno/isključnu sklopku dok niste pomaknuli polugu za blokadu. Na taj bi se način mogla slomiti sklopka. Rad s alatom na kojem sklopka ne radi ispravno može dovesti do gubitka kontrole i teške tjelesne ozljede.

Da bi se spriječio slučajno povlačenje uključno/isključne sklopke, na alat je postavljen i gumb za deblokadu. Za pokretanje alata, pomaknite polugu za blokadu naprijed i potom povucite uključno/isključnu sklopku. Za isključivanje alata otpustite uključno/isključnu sklopku.

Najlonska rezna glava (Slika 3)

POZOR:

- Nemojte pokušavati izbaciti najlonsko uže dok alat još radi na velikom broju okretaja. Izbacivanje najlonskog užeta dok radi na velikom broju okretaja može prouzročiti oštećenje na najlonskoj reznoj glavi.
- Izbacivanje neće ispravno raditi ako se glava ne rotira.

NAPOMENA:

- Standardni pribor varira ovisno o modelu i zemlji.

Najlonska rezna glava dvostruka je glava za rezanje trave koja ima mehanizam udari i izbacij (bump & feed). Da biste izbacili najlonsko uže, udarite reznju glavu o tlo dok se glava još rotira.

NAPOMENA:

- Ako se najlonsko uže ne izbacij tijekom udaranja glave, namotajte ili zamijenite najlonsko uže slijedeći postupke opisane pod odjeljkom „Održavanje“.

Držac kabela (Slika 4)

Napravite malu petlju na kabelu za napajanje i objesite ga za držac kabela.

SASTAVLJANJE

⚠ UPOZORENJE:

- **Obavezno provjerite je li alat isključen i odspojen prije obavljanja posla na alatu.** Ako ne isključite alat i ne izvučete priključni kabel iz utičnice, možete pretrpjeti ozbiljne tjelesne ozljede zbog nenamjernog pokretanja.
- **Nikada nemojte pokretati alat ako nije u potpunosti sastavljen.** Ako koristite alat dok je samo djelomično sastavljen, može doći do ozbiljnih tjelesnih ozljeda zbog nenamjernog pokretanja.

Pričvršćivanje ručke (Slika 5)

⚠ UPOZORENJE:

- Ne uklanjajte ni smanjujete držač niti amortizer. Držač razmaka osigurava razmak između ruku. Postavljanjem sklopa drške/barijere blizu druge drške izvan duljine držača razmaka može dovesti do gubitka kontrole i teških ozljeda.

Stavite ručku i barijeru na gumeni dio na cijevi osovine. Prilagodite položaj ručke i zatim pričvrstite sve uz pomoć četiriju vijaka.

Odobrena kombinacija reznog alata i štitnika

⚠ UPOZORENJE:

- **Uvijek koristite alat s odobrenom kombinacijom sigurnosne opreme.** U suprotnom kontaktiranje s reznim alatom može uzrokovati ozbiljne ozljede.
- **Nikada nemojte koristiti alat ako štitnik nije postavljen kako je prikazano na slici.** Nepridržavanje navedenih uputa može za posljedicu imati teške ozljede.

NAPOMENA:

- Standardni pribor varira ovisno o modelu i zemlji.

Za reznju oštricu (Slika 6)

Za najlonsku reznju glavu (Slika 7)

Postavljanje štitnika za reznju oštricu (Slika 8)

1. Poravnajte rupu na unutarnjem štitniku s rupama na kutiji mjenjača.
2. Zatim ih pričvrstite s tri svornjaka.

Pričvršćivanje štitnika za najlonsku glavu

⚠ OPREZ:

- Pazite da se ne porežete na rezač za rezanje najlonskog užeta.
 - Ne zaboravite ukloniti štitnik rezne oštrice prije korištenja alata.
1. Poravnajte četiri svornjaka na vanjskom štitniku s rupama na unutarnjem štitniku. (Slika 9)
 2. Pričvrstite ih s četiri svornjaka.
 3. Poravnajte rupu na unutarnjem štitniku s rupama na kutiji mjenjača.
 4. Pričvrstite ih sa svornjacima. (Slika 10)

Postavljanje rezne oštrice

⚠ UPOZORENJE:

- **Vanjski promjer rezne oštrice mora biti 230 mm.** Nikada ne koristite nikakve oštrice koje u promjeru prelaze 230 mm.

⚠ OPREZ:

- Rezne oštrice moraju bit dobro ispolirane, bez pukotina ili lomova. Ispolirajte ili zamijenite reznju oštricu svaka tri sata tijekom rada.
- Uvijek nosite zaštitne rukavice kada rukujete reznjom oštricom.
- Uvijek pričvrstite poklopac na oštricu kada se alat ne koristi ili kada se transportira.
- Matica za pričvršćivanje rezne oštrice tijekom vremena se istroši. Ako dođe do istrošenosti ili deformacije matice, zamijenite je. Zatražite od svog ovlaštenog servisa da je naruči.

POZOR:

- Koristite samo originalnu reznju oštricu.

Otkrenite alat naopačke kako biste jednostavno mogli zamijeniti reznju glavu. (Slika 11)

1. Namjestite podlošku za glavu na osovinu.
2. Otkrenite podlošku za glavu sve dok urez na podlošci ne dođe do ureza na kućištu mjenjača.
3. Provučite šipkicu kroz oba ureza tako da se podloška za glavu ne može okretati.
4. Postavite oštricu na podlošku za glavu.
5. Postavite uskočnik na oštricu.
6. Postavite kućište glave na oštricu.
7. Pričvrstite ih s maticom tako da je okrećete ulijevo dok držite šipkicu.

Da biste uklonili oštricu, obavite prethodno opisane korake obrnutim slijedom.

Pričvršćivanje najlonske rezne glave (Slika 12)

POZOR:

- Obavezno koristite originalnu najlonsku reznu glavu.

Okrenite alat naopačke kako biste jednostavno mogli zamijeniti najlonsku reznu glavu.

NAPOMENA:

- Uklonite poklopac rezača užeta prije uporabe.
1. Namjestite podlošku za glavu na osovinu.
 2. Okrenite podlošku za glavu sve dok urez na podlošci ne dođe do ureza na kućištu mjenjača.
 3. Provučite špičicu kroz oba ureza tako da se podloška za glavu ne može okretati.
 4. Postavite najlonsku reznu glavu okrećući je u smjeru suprotnom od kretanja kazaljke na satu.
 5. Nakon postavljanja najlonske rezne glave, uklonite špičicu.

Da biste uklonili najlonsku glavu, obavite sve gore navedene korake obrnutim slijedom.

RAD

Ispravno rukovanje alatom (Slika 13)

Ispravno držanje

⚠ UPOZORENJE:

- **Uvijek držite alat s desne strane tako da je barijera uvijek ispred vašeg tijela.** Ispravno držanje alata omogućuje maksimalnu kontrolu i smanjit će rizik od ozbiljne tjelesne ozljede uzrokovane povratnim trzajem.

⚠ OPREZ:

- **Ako tijekom rada rezni alat slučajno udari o kamen ili tvrdi predmet, zaustavite alat i provjerite ga na moguća oštećenja. Ako je rezni alat oštećen, odmah ga zamijenite.** Uporaba oštećenog reznog alata može prouzročiti ozbiljnu osobnu ozljedu.

Postavite remen za rame na lijevo rame tako da provučete glavu i desnu ruku kroz njega i držite alat na svojoj desnoj strani te uvijek držite barijeru ispred svog tijela.

Pričvršćivanje remena za rame (Slika 14)

Podesite duljinu remena tako da rezni alat bude usporedno s tlom.

Spojite kuku i remen.

⚠ UPOZORENJE:

- **Budite iznimno oprezni da uvijek održavate kontrolu nad alatom. Ne dopustite da se alat odbije prema vama ili nekom drugom u blizini.** Ako ne možete kontrolirati alat, može doći do ozbiljne ozljede promatrača i rukovatelja.

Podešavanje položaja kuke i remena za rame (Slika 15)

Podesite položaj kuke kako je prikazano na slici. (Slika 16)

Da biste promijenili položaj kuke, otpustite vijak na kuki. Zatim pomaknite kuku.

Nakon podešavanja položaja kuke, čvrsto zategnite vijak ključem.

ODRŽAVANJE

⚠ UPOZORENJE:

- **Prije svih pregleda i održavanja alata uvijek provjerite jeste li isključili alat i iskopčali utikač.** Ako ne isključite alat i ne izvučete priključni kabel iz utičnice, možete pretrpjeti ozbiljne tjelesne ozljede zbog nenamjernog pokretanja.

POZOR:

- Nikada nemojte koristiti benzin, mješavinu benzina, razrjeđivač, alkohol ili slično. Kao rezultat može se izgubiti boja, pojaviti deformacija ili pukotine.

Zamjena najlonskog užeta (Slika 17)

⚠ UPOZORENJE:

- **Prije rada provjerite je li najlonska rezna glava ispravno pričvršćena na alat.** Ako najlonsku reznu glavu ne pričvrstite čvrsto, može se dogoditi da se dijelovi razlete i prouzroče teške tjelesne ozljede.

1. Uklonite najlonsku reznu glavu.
2. Skinite poklopac tako da stisnete obje zakačke koji se nalaze na suprotnim stranama kućišta glave.
3. Uklonite namotak. I uklonite staro najlonsko uže iz namotka.
4. Prerežite najlonsko uže na 3 – 6 m. Presavijte rezno uže na dvije polovice, ali ostavite jednu polovicu dulju od druge za 80 – 100 mm. (Slika 18)
5. Zakačite sredinu novog najlonskog užeta na urez u središtu stalka između dvaju kanala za namatanje najlonskog užeta. (Slika 19)
6. Čvrsto omotajte oba kraja kroz kanale u smjeru naznačenom strelicom na namotku. (Slika 20)
7. Provučite najlonske niti kroz očiće tako da izađu kroz kućište glave.
8. Poravnajte izbočinu na donjoj strani poklopca s urezima očica. Zatim ga snažno pritisnite na kućište glave da bi ga pričvrstili. Provjerite jesu li sve zakačke u potpunosti raširene u poklopcu.

Da biste zadržali SIGURNOST i POUZDANOST proizvoda, održavanje ili namještanja morate prepustiti ovlaštenim Makita servisnim centrima, uvijek koristeći originalne Makita rezervne dijelove.

INTERVAL ODRŽAVANJA

Dijelovi:	Interval:	Način rada:
Kabel za napajanje	Svaki put prije upotrebe	Vizualno pregledajte je li jako pohaban ili oštećen. Ako je oštećen, zatražite od lokalnog servisnog centra da ga popravi.
Vijak pomoćne ručke	Svaki put prije upotrebe	Provjerite da vijak nije labav. Pritegnite ga ako jest labav. Ako je vijak oštećen, zamijenite ga.
Štitnik reznog alata	Svaki put prije upotrebe	Provjerite je li vijak labav i je li štitnik oštećen. Pritegnite vijak ako je labav. Ako je oštećen, štitnik zamijenite.
Rezna oštrica	Svakih 10 h	Nakon svakog korištenja nanosite ulje za sprečavanje hrđanja. Provjerite ima li oštećenja. Zamijenite oštećene dijelove.
Najlonska rezna glava	Svakih 10 h	Vizualno pregledajte je li jako pohabana ili oštećena. Ako je oštećena, zamijenite je.
Vratilo mjenjača.	Svakih 10 h	Podmažite uljem za zaštitu od hrđanja.

RJEŠAVANJE PROBLEMA

Prije nego što zatražite popravak, sami provedite pregled. Ako nađete na problem za koji ne postoji objašnjenje u uputama, nemojte pokušati rastaviti alat. Umjesto toga obratite se ovlaštenom servisnom centru tvrtke Makita koji za popravke uvijek koriste zamjenske dijelove tvrtke Makita.

Stanje kvara	Uzrok	Radnja
Motor se ne pokreće.	Izvor napajanja nije priključen.	Ukopčajte utikač.
	Kabel za napajanje je neispravan.	Zatražite popravak kod vašeg lokalnog servisnog centra.
	Pogon ne radi ispravno.	
Motor se isključi nakon kratkog korištenja.	Pregrijavanje.	Prekinite korištenje alata i ostavite ga da se ohladi.
Ne doseže maksimalan broj okretaja u minuti.	Pogon ne radi ispravno.	Zatražite popravak kod vašeg lokalnog servisnog centra.
Rezni alat ne rotira: Odmah isključite stroj!	Nepoznati predmet, poput grane, zaglavio se između štitnika i reznog alata.	Uklonite strani predmet.
	Matica za pričvršćivanje rezne oštrice je olabavljena.	Pravilno pričvrstite maticu kako je opisano u ovom priručniku.
	Rezna oštrica je savijena.	Zamijenite reznu oštricu.
	Pogon ne radi ispravno.	Zatražite popravak kod vašeg lokalnog servisnog centra.
Neuobičajene vibracije: Odmah isključite stroj!	Odlomio se jedan kraj najlonskog užeta.	Udarite najlonskom reznom glavom o tlo dok se rotira kako biste izvukli užu.
	Rezna oštrica je savijena, napukla ili istrošena.	Zamijenite reznu oštricu.
	Matica za pričvršćivanje rezne oštrice je olabavljena.	Pravilno pričvrstite maticu kako je opisano u ovom priručniku.
	Rezna oštrica je nepravilno pričvršćena.	
	Pogon ne radi ispravno.	Zatražite popravak kod vašeg lokalnog servisnog centra.
Rezni alat i motor ne mogu se zaustaviti: Odmah iskopčajte utikač!	Električki ili elektronički kvar.	Iskopčajte utikač i zatražite popravak od vašeg lokalnog ovlaštenog servisa.

DODATNI PRIBOR

OPREZ:

- Ovaj se dodatni pribor ili priključci preporučuju samo za uporabu s vašim alatom tvrtke Makita preciziranim u ovom priručniku. Uporaba bilo kojih drugih dodatnih pribora ili priključaka može predstavljati opasnost od ozljede. Rabite pribor ili priključak samo za njegovu navedenu svrhu.

Ako vam je potrebna pomoć za više detalja u pogledu ovih dodatnih pribora, obratite se najbližem servisnom centru tvrtke Makita.

- Rezna oštrica
- Najlonska rezna glava
- Najlonsko uže (reзна nit)
- Remen za rame

NAPOMENA:

- Neke stavke na popisu mogu biti uključene u paket alata kao standardni pribor. Mogu se razlikovati ovisno o zemlji.

Објаснување на општиот преглед

1	Држач на кабел	9	Штитник на алатот за сечење	19	Округла прачка
2	Кабел за струја (формата може да се разликува од земја до земја)	10	Алат за сечење	20	Сечило
3	Задна рачка	11	Прерамка за преку рамо	21	Стезна шајбна
4	Рачка за заклучување	12	Перниче	22	Чашка
5	Копче за вклучување	13	Најефективна област на сечење	23	Навртка
6	Предна рачка	14	Рачка	24	Најлонска глава за сечење
7	Закачалка (точка за закачување)	15	Гумен дел	25	Конец за сечење
8	Барьера	16	Внатрешен штитник	26	Капаче
		17	Надворешен штитник	27	Закачалка
		18	Приемна шајбна	28	80 – 100 мм
				29	Калем

СПЕЦИФИКАЦИИ

Модел	UR2300	UR3502
Вид на рачка	Рачка со јамка	
Цела должина	1 630 мм	
Рангирање на континуиран инпут	1 000 W	
Брзина без товар	5 700 мин ⁻¹	5 700 мин ⁻¹
Алат за сечење	Сечило за сечење	Најлонска глава за сечење
Ширина на сечило	230 мм	350 мм
Нето тежина	4,7 кг	4,9 кг
Безбедносна класа	▣/II	

- Поради нашата континуирана програма за истражување и развој, спецификациите за производот се предмет на измени без никакво известување.
- Спецификациите може да се разликуваат од земја до земја.
- Тежина според ЕРТА-Постапка 01/2003

Бука	Просечно ниво на звучен притисок		Просечно ниво за звучна моќност		Применлив стандард
	L _{РА} (дБ(А))	Колебливост К (дБ(А))	L _{WA} (дБ(А))	Колебливост К (дБ(А))	
Алат за сечење					EN 60335-1, EN 50636-2-91, EN ISO 11806
Сечило за сечење	80,8	2,5	93,45	1,23	
Најлонска глава за сечење	85,3	2,5	93,84	1,58	

- Носете заштита за ушите.

Вибрација	Предно држење		Задно држење		Применлив стандард
	a _h (m/c ²)	Колебливост К (m/c ²)	a _h (m/c ²)	Колебливост К (m/c ²)	
Алат за сечење					EN 60335-1, EN 50636-2-91, EN ISO 11806
Сечило за сечење	2,856	1,5	2,712	1,5	
Најлонска глава за сечење	2,768	1,5	2,694	1,5	

- Декларираната вредност за емисија на вибрации е измерена во согласност со стандардниот метод на тестирање и може да се користи за споредување на еден алат со друг.
- Декларираната вредност за емисија на вибрации може исто така да се користи при прелиминарна процена на изложеност.

ПРЕДУПРЕДУВАЊЕ:

- Емисијата на вибрации при употреба на електричниот апарат може да се разликува од декларираната вредност за емисија, а тоа зависи од начините на употреба на алатот.
- Треба да ги идентификувате безбедносните мерки за заштита на операторот, кои се засноваат на процена на изложеноста во реални услови на употреба (земајќи ги предвид сите фази на работниот циклус, како на пример времињата кога алатот е исклучен и кога е во празен од, покрај времето кога е вклучен).



- Само за земјите-членки на ЕУ
Не фрлајте ја електричната опрема заедно со отпадот од домаќинството!
Придржувајќи се на Европската директива за отпад од електрична и електронска опрема и нејзината имплементација во согласност со националното законодавство, електричната опрема што го достигнала крајот на работниот век мора да се собира издвоено и да се однесе во капацитет за рециклирање компатибилен со животната средина.

Симболи

Овде се прикажани симболите што се користат за опремата. Треба да го знаете нивното значење пред да започнете со употреба.



- Бидете многу внимателни.



- Прочитајте го упатството за употреба.



- Опасност; внимавајте на отфрлени предмети.



- Растојанието меѓу алатот и лицата што се наоѓаат во близина мора да биде најмалку 15 м.



- Присутните лица држете ги настрана.



- Носете шлем, заштитни очила и заштита за ушите.



- Носете заштитни ракавици.



- Носете цврсти обувки кои не се лизгаат. Се препорачуваат обувки со метален дел кај прстите.



- Не изложувајте го на влага.



- Откачете го од струја ако кабелот е оштетен или заплеткан.



- Избегнувајте повратен удар.



- Одржувајте растојание од најмалку 15 м.



- ДВОЈНА ИЗОЛАЦИЈА

ИЗЈАВА ЗА СООБРАЗНОСТ НА ЕС

Само за европските држави

Изјавата за сообразност на ЕС е вклучена како Анекс А на ова упатство за работа.

Општи упатства за безбедност за електричните алати

⚠ ПРЕДУПРЕДУВАЊЕ Прочитајте ги сите безбедносни предупредувања и сите упатства. Доколку не се следат предупредувањата и упатствата, може да дојде до струен удар, пожар и/или тешки повреди.

Чувајте ги сите предупредувања и упатства за да може повторно да ги прочитате.

Под терминот „електричен алат“ во предупредувањата се мисли на вашиот електричен алат кој работи на струја (со кабел) или на батерии (безжично).

Безбедност на работната област

1. Користете чист и добро осветлен работен простор. Ако просторот е натрупан и темен, полесно може да се случи незгода.
2. Не работете со електричните алати во експлозивни атмосфери, на пример, ако има запаливи течности, гасови или прав. Електричните алати искрат и можат да ги запалат правот или испарувањата.
3. Децата и набљудувачите нека стојат понастрана кога работите со електричен апарат. Ако нешто го одвлекува вашето внимание, може да изгубите контрола.

Електрична безбедност

4. Електричните приклучоци на електричните алати треба да одговараат на штекерот. Никогаш и никако не менувајте го електричниот приклучок. Не користете електрични приклучоци-адаптери со заземјени електрични алати. Немодифицираните електрични приклучоци и соодветните штекери го намалуваат ризикот од електричен удар.
5. Избегнувајте телесен контакт со заземјени површини, како на пример, цевки, радијатори, шпорети и фрижидери. Постои зголемен ризик од електричен удар ако вашето тело е заземјено.
6. Не изложувајте ги електричните алати на дожд или на врнежливи услови. Ако вода влегува во електричниот алат, тоа го зголемува ризикот од електричен удар.
7. Не злоупотребувајте го кабелот. Никогаш не користете го кабелот за носење, влечење или за исклучување на електричниот алат. Кабелот држете го настрана од топлина, масло, остри агли или подвижни делови. Оштетени или заплеткани кабли го зголемуваат ризикот од електричен удар.
8. Кога го користите електричниот алат на отворено, користете кабел наменет за отворен простор. Ако користете кабел соодветен за отворен простор, се намалува ризикот од електричен удар.
9. Ако мора со електричниот алат да работите во влажен простор, користете заштитен уред за диференцијална струја (RCD), заштитена серија. Ако користите заштитен уред за диференцијална струја, се намалува ризикот од електричен удар.
10. Се препорачува секогаш да се користи струја преку Уред за заштита (RCD) со ознака за заостаната струја од 30 mA или помалку.

Лична безбедност

11. Бидете внимателни, гледајте што правите и размислувајте разумно кога работите со електричниот алат. Не користете го електричниот алат кога сте уморни или кога сте под дејство на дрога, алкохол или на лекови. Момент на невнимание додека работите со електричниот алат, може да предизвика сериозна физичка повреда.
 12. Користете лична заштитна опрема. Секогаш носете заштита за очите. Заштитната опрема, како на пример маска за прав, заштитни чевли што не се лизгаат, тврда капа или заштита за слухот, што се користи за соодветни услови, ќе ги намали физичките повреди.
 13. Спречете ненамерно стартување. Уверете се дека прекинувачот е во исклучена положба пред поврзување во извор на електрична енергија и/или на батерија, пред подигање или носење на алатот. Ако електричните алати ги носите, а прстот ви е на прекинувачот или тој е вклучен, може да дојде до несреќа.
 14. Отстранете ги клиновите или клучевите за нагудување пред да го вклучите електричниот алат. Ако оставите клин или клуч во ротирачкиот дел од електричниот алат, може да дојде до физичка повреда.
 15. Не посегнувајте предалеку. Одржувајте добра стабилност и рамнотежа со носете цело време. Ова овозможува подобра контрола на електричниот алат во неочекувани ситуации.
 16. Носете соодветна облека. Не носете широка облека или накит. Косата, облеката и ракувиците држете ги понастрана од подвижните делови. Широката облека, накитот или долгата коса може да се заплеткаат во подвижните делови.
 17. Ако има уреди за поврзување на делови за извлекување и собирање прав, проверете дали тие се правилно поврзани и дали се користат соодветно. Ако користите уред за собирање прав, може да ги намалите опасностите што може да ги предизвика правот.
- ### Користење и грижа за електричниот алат
18. Не форсирајте го електричниот алат. Користете правилен електричен алат за конкретната примена. Со правилниот електричен алат, подобро и побезбедно ќе ја завршите работата, како и со предвидената брзина.
 19. Не користете го електричниот алат ако не можете да го вклучите и исклучите со прекинувачот. Ако електричниот алат не може да се контролира со прекинувачот, тогаш тој е опасен и мора да се поправи.
 20. Исклучете го приклучокот од напојувањето и/или извадете ги батериите од електричниот алат пред да правите измени, да менувате додатоци или да ги складирате електричните алати. Овие превентивни безбедносни мерки ќе го намалат ризикот електричниот алат да почне да работи случајно.
 21. Електричните алати во режим на мирување држете ги подалеку од дофатот на децата и не дозволувајте лица што не се запознаени со електричниот алат или овие упатства да ракуваат со електричниот алат. Електричните алати се опасни во рацете на необучените корисници.

22. Одржувајте ги електричните алати. Проверете дали подвижните делови се изместени или заглавени, скршени или во некоја друга состојба што може да влијае врз работењето на електричниот алат. Ако е оштетен, поправете го електричниот алат пред да го користите. Многу незгоди се случуваат поради слабо одржувани електрични алати.
23. Одржувајте ги алатите остри и чисти. Правилно одржувани алати за сечење, со остри сечила, помалку е веројатно дека ќе се заглават и полесно се контролираат.
24. Користете ги електричниот алат, додатците и длетата на алатот, итн. во согласност со овие упатства, земајќи ги предвид работните услови и работата што треба да се изврши. Ако го користите електричниот алат за работи различни од оние за кои тој е наменет, може да ве доведе во опасност.

Сервисирање

25. Вашиот електричен алат сервисирајте го кај квалификувано лице за поправки, кое користи само идентични резервни делови. Така ќе бидете сигурни дека електричниот алат и понатаму е безбеден.
26. Следете ги упатствата за подмачкување и за менување на додатните делови.
27. Одржувајте ги дланките суви, чисти и без маснотии.

ВАЖНИ УПАТСТВА ЗА БЕЗБЕДНОСТ

⚠ ПРЕДУПРЕДУВАЊЕ! Прочитајте ги сите безбедносни предупредувања и сите упатства. Доколку не се следат предупредувањата и упатствата, може да дојде до струен удар, пожар и/или тешки повреди.

Чувајте ги сите предупредувања и упатства за да може повторно да ги прочитате.

Намена

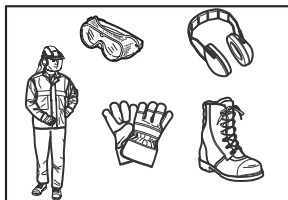
1. Тримерот за трева/косилката/тримерот со жица се наменети само за сечење трева, плевел, грмушки, џбунчиња. Не треба да се користат за какви било други намени, како на пример формирање рабови или стрижење ограда, бидејќи тоа може да предизвика повреда.

Општи упатства

1. Никогаш не дозволувајте луѓе што не се запознати со овие упатства, луѓе (вклучувајќи деца) со намалени физички, сензорни или ментални способности, или без искуство и знаење да го користат алатот. Децата треба да се надгледуваат за да се осигури дека не си играат со алатот.
2. Пред да започнете со работа со алатот, прочитајте го ова упатство за работа за да се запознаете со ракувањето со алатот.
3. Не позајмувајте го алатот на лице со недоволно искуство или знаење за работа со косилки и тримери со жица.
4. Кога го позајмувате алатот, секогаш давајте го и ова упатство за работа.
5. Ракувајте со алатот со исклучителна грижа и внимание.

6. Никогаш не користете го алатот по конзумирање алкохол или лекови или ако се чувствувате уморни или болни.
7. Никогаш не обидувајте се да го модификувате алатот.
8. Внимавајте да не се повредите од какв било уред прилагоден за скастрување на должината на дршките. По растегнувањето на новата жица за сечење секогаш враќајте ја машината во нејзината редовна работна положба пред да ја вклучите.
9. Следете ги прописите за ракување со косилки и тримери со жица во вашата земја.

Лична заштитна опрема



1. Носете заштитен шлем, заштитни очила и заштитни ракавици за да се заштитите себе си од отпадници што летаат или предмети што паѓаат.
2. Носете заштита за уши како слушалки за заштита на слухот за да спречите загуба на слух.
3. Носете соодветна облека и чевли за безбедно работење, како што се работна облека и цврсти, чевли што не се лизгаат. Не носете лабава облека или накит. Лабавата облека, накитот или долгата коса може да бидат повлечени во подвижните делови.
4. Кога го допирате сечилото за сечење, носете заштитни ракавици. Сечилата за сечење може многу да ги исечат незаштитените раце.

Безбедност во работната област

1. Работете со алатот само при добра видливост и при дневна светлина. Не работете со алатот во темница или магла.
2. Не работете со алатот во експлозивни атмосфери, како што е во присуство на запаливи течности, гасови или прав. Алатот создава искри кои може да ја запалат правта или испарувањата.
3. Во текот на работењето, никогаш не стојте на нестабилна или лизгава површина или на стрмина. Во текот на ладните годишни времиња, внимавајте на мразот и снегот и секогаш осигурете се дека цврсто газите на подлогата.
4. Во текот на работењето, држете ги присутните или животните најмалку 15 м подалеку од алатот. Запрете го алатот веднаш штом некој се приближи.
5. Пред работењето проверете ја работната област за камења или други цврсти предмети. Тие може да бидат исфрлени или да предизвикаат опасен повратен удар и да доведат до сериозна повреда и/или штета на имот.

6. **⚠ ПРЕДУПРЕДУВАЊЕ:** Користењето на овој производ може да создаде прав што содржи хемикалии коишто може да предизвикаат респираторни или други болести. Некои примери за овие хемикалии се соединенија кои се наоѓаат во пестицидите, инсектицидите, ѓубривата и хербицидите. Вашиот ризик од ваквите изложувања зависи од тоа колку често вршите ваква работа. За да ја намалите изложеноста на овие хемикалии: работете во добро проветрена област и работете со одобрена заштитна опрема, како што се маските за прав коишто се специјално дизајнирани да ги задржуваат микроскопските честички.

Електрична безбедност

1. **Приклучоците на електричниот алат мора да одговараат на приклучниците. Никогаш не модификувајте го приклучокот на каков било начин. Не користете никакви приклучоци со адаптер со заземјени електрични алати.** Немодификувани приклучоци и соодветни приклучници ќе го намалат ризикот од струен удар.
2. **Избегнувајте телесен контакт со заземјени површини како што се цевки, радијатори, шпорети и фрижидери.** Има зголемен ризик од струен удар ако вашето тело е заземјено.
3. Не изложувајте го алатот на дожд и влажни услови. Водата што навлегува во алатот ќе го зголеми ризикот од струен удар.
4. **Не употребувајте го кабелот за други намени. Никогаш не користете го кабелот за носење, влечење или за извлекување од напојување на електричниот алат. Чувајте го кабелот понастрана од топлина, масло, остри рабови или подвижни делови.** Оштетени или заплеткани кабли го зголемуваат ризикот од струен удар.
5. Не користете го алатот ако прекинувачот не се вклучува и исклучува. Секој алат што не може да се контролира со прекинувачот е опасен и мора да се поправи.
6. **Кога работите со електричен алат на отворено, користете продолжен кабел што е соодветен за работа на отворено.** Користењето кабел соодветен за работа на отворено го намалува ризикот од струен удар.
7. **Ако работењето со електричен алат на влажна локација е неизбежно, користете уред за заштита при појава на диференцијална струја (RCD).** Користењето на RCD го намалува ризикот од струен удар.
8. **Секогаш се препорачува користење на електрично напојување преку RCD со номинална диференцијална струја од 30 mA или помалку.**
9. Спречете несакано вклучување на алатот. Осигурете се дека прекинувачот е во положба исклучено пред да го вклучувате во струја, да го подигате или носите алатот. Носењето на електричните алати со прстот врз прекинувачот на алатот или врз прекинувачот на напојувањето на електричните алати предизвикува несреќи.
10. Пред употреба, проверете го напојувањето и продолжниот кабел за знаци на оштетување или истрошеност.

11. Ако кабелот се оштети при користењето, веднаш исклучете го кабелот од напојувањето. **Не допирајте го кабелот пред да го исклучите напојувањето.**
12. Не употребувајте го алатот ако каблите се оштетени или истрошени.
13. Чувајте го продолжниот кабел понастрана од елементите за сечење.

Ставање во функција

1. Пред склопувањето или прилагодувањето на алатот, исклучете го приклучокот од струја.
2. Пред ракувањето со сечилото за сечење, носете заштитни ракавици.
3. Пред да го вклучите, проверете го алатот за оштетувања, олабавени завртки/навртки или неправилно склопување. Наострете го тапото сечило. Ако сечилото за сечење е свиткано или оштетено, заменете го. Проверете ги сите контролни рачки и прекинувачи за лесно работење. Исклучете ги и исушете ги рачките.
4. Никогаш не обидувајте се да го вклучите алатот ако е оштетен или не е целосно склопен. Во спротивно може да настане сериозна повреда.
5. Отстранете секаков клуч за прилагодување или клуч одвртувач пред да го вклучите алатот. Клуч одвртувач или клуч оставен прикачен на ротирачки дел на алатот може да доведе до лична повреда.
6. Прилагодете ја прерамката за преку рамо и рачката за да одговараат на големината на телото на корисникот.
7. Кога го вклучувате, држете го приборот за сечење настрана од вашето тело и други предмети, вклучувајќи го и тлото. Може да ротира при вклучување и може да предизвика повреда или оштетување на алатот и/или имотот.

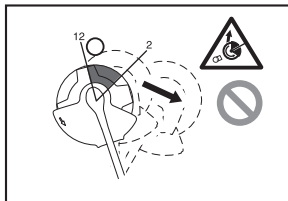
Работете

1. Во итен случај, веднаш исклучете го алатот.
2. Ако почувствувате невообичаена состојба (на пр. бучава, вибрација) при работењето, исклучете го алатот. Не користете го алатот сè додека не се воочи и не се реши причината.
3. Предупредување. Приборот за сечење продолжува да ротира во тек на еден краток период по исклучувањето на алатот. Не брзајте со допирање на приборот за сечење.
4. Во текот на работењето, користете ја прерамката за преку рамо. Цврсто држете го алатот на вашата десна страна.
5. Не се пресегнувајте. Одржувајте добра подлога на стапалата и рамнотежа во секое време. Внимавајте на скриени пречки како што се трупици од дрва, корења и ендеци за да избегнете сопнување.
6. Никогаш не работете на скала или на дрво за да не дојде до губење на контрола.
7. Пред да ја користите машината и по каков било тежок удар или пад, проверете ја состојбата пред да продолжите со работа. Проверете ги контролите и безбедносните уреди за неправилно работење. Ако има некакво оштетување или сомнеж, контактирајте го вашиот овластен сервисен центар за проверка и поправка.
8. Не допирајте го кукиштето на преносниот систем. Кукиштето на преносниот систем станува жешко во текот на работењето.

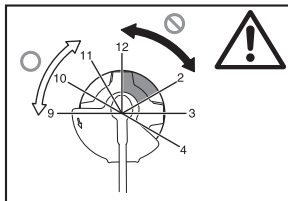
9. Одморете се за да спречите губење на контрола предизвикана од замор. Препорачуваме да земате 10 до 20 минути одмор на секој час.
10. Кога ќе го оставите алатот, дури и да се работи за кратко време, секогаш извлекувајте го приклучокот од напојувањето. Алатот оставен без надзор со вклучено напојување може да се користи од неовластено лице и да предизвика сериозна несреќа.
11. Ако треба или гранки навлезат помеѓу приборот за сечење и штитникот, секогаш исклучувајте го алатот и извлекувајте го приклучокот од напојување пред чистењето. Во спротивно приборот за сечење може ненамерно да ротира и да предизвика сериозна повреда.
12. Ако приборот за сечење удри во камења или во други цврсти предмети, веднаш исклучете го алатот. Потоа извлекете го приклучокот од напојување и проверете го приборот за сечење.
13. Често проверувајте го приборот за сечење во текот на работењето за пукнатини или оштетувања. Пред проверката, извлекете го приклучокот од напојување и почекајте сè додека приборот за сечење потполно не застане. Веднаш заменете го оштетениот прибор за сечење, дури и ако има само површински пукнатини.
14. Никогаш не сечете над висината на појасот.
15. Пред да започнете да сечете, почекајте додека приборот за сечење не достигне постојана брзина по вклучувањето на алатот.
16. Кога користите метални сечила, наведнувајте го алатот рамномерно во полукруг од десно кон лево, како да користите коса.
17. Држете го алатот само за изолираните површини за држење, бидејќи сечилото за сечење може да дојде во допир со скриени жици. Сечилата за сечење што се допираат со жица што пренесува струја може да доведат до тоа изложените метални делови на алатот да пренесуваат струја и може да предизвикаат струен удар кај корисникот.
18. Секогаш осигурете се отворите за вентилација да бидат чисти без остатоци.

Повратен удар (потисок на сечилото)

1. Повратен удар (потисок на сечилото) е неочекувана реакција на заглавено или сечило што отскокнува. Штом ќе настане, алатот се отфрла странично или кон корисникот со голема сила и може да предизвика сериозна повреда.
2. Повратниот удар се јавува особено кога се применува сегментот со сечило помеѓу 12 и 2 часот на цврсти предмети, џбунови и дрвја со дијаметар од 3 цм или поголем.



3. За да избегнете повратен удар:
 - Применете го сегментот помеѓу 8 и 11 часот.
 - Никогаш не применувајте го сегментот помеѓу 12 и 2 часот.
 - Никогаш не применувајте го сегментот помеѓу 11 и 12 часот и помеѓу 2 и 5 часот, освен ако корисникот не е добро обучен и искусен и го прави тоа на сопствен ризик.
 - Никогаш не користете ги сечилата блиску до цврсти предмети, како што се огради, ѕидови, трупови на дрвја и камења.
 - Никогаш не користете ги сечилата вертикално, за операции како што се рамнење работи или поткастрување живи огради.



Прибори за сечење

1. Користете применлив прибор за сечење за конкретната работа.
 - Најлонските глави за сечење (глави на тример со жица) се соодветни за поткастрување тревници.
 - Металните сечила одговараат за сечење плевели, високи тревы, грмушки, џбунови, шкари, честари и слично.
 - Никогаш не користете поинакви сечила вклучувајќи метални повеќеделни подвижни синџири и ножеви. Може да предизвика сериозна повреда.
2. Секогаш користете го штитникот за прибор за сечење соодветно поставен на приборот за сечење што се користи.
3. Никогаш не поставувајте ги металните елементи за сечење со модели за сечење со најлон.
4. Кога користите метални сечила, избегнувајте „повратен удар“ и секогаш бидете подготвени за неочекуван повратен удар. Видете го делот „Повратен удар“.

Вибрација

1. Луѓе со слаба циркулација, кои се изложени на прекумерна вибрација може да се здобијат со повреда на крвните садови или нервниот систем. Вибрацијата може да предизвика појава на следните симптоми во прстите, рацете или зглобовите: „Заспивање“ (отрпнување), треперење, болка, чувство на боцкање, менување на бојата на кожата или на кожата. Ако се појави некој од овие симптоми, одете на лекар!
2. За да го намалите ризикот од „болест на бел прст“ држете ги рацете топли за време на работата и добро одржувајте ги алатот и приборот.

Транспорт

1. Пред да го транспортирате алатот, исклучете го и извлекете го приклучокот од напојувањето. Поставете го капакот на сечилото.
2. Кога го транспортирате алатот, носете го во хоризонтална положба со држење на вратилото.
3. Кога го транспортирате алатот во возило, соодветно обезбедете го за да спречите превртување. Во спротивно може да настане оштетување на алатот и на друг багаж.

Одржување

1. Вашиот алат нека го сервисира нашиот овластен сервисен центар, притоа секогаш користејќи само оригинални резервни делови. Несоодветната поправка и слабо одржување може да го скратат работниот век на алатот и да го зголемат ризикот од несреќи.
2. Пред да извршувате какво било одржување, поправка или чистење на алатот, секогаш исклучувајте го и извлекувајте го приклучокот од напојувањето.
3. Секогаш носете заштитни ракавици кога ракувате со сечилото.
4. Секогаш чистете ја правта и нечистотијата од алатот. Никогаш не употребувајте бензини, разредувач, алкохол или слично за целта. Може да доведе до појава на обезбојување, деформација или пукнатини на пластичните компоненти.
5. По секоја употреба затегнувајте ги сите завртки и навртки.
6. Не обидувајте се да вршите какво било одржување или поправка што не се опишани во упатството за работа. За такви активности обратете се до нашиот овластен сервисен центар.
7. Секогаш користете ги само нашите оригинални резервни делови и прибор. Користењето делови или прибор доставен од друг производител може да предизвика дефект на алатот, оштетување на имот и/или сериозна повреда.
8. Побарајте нашиот овластен сервисен центар да го проверува и одржува алатот на редовни интервали.

Складирање

1. Пред да го складирате алатот, извршете целосно чистење и одржување. Извлечете го приклучокот од напојувањето. Поставете го капакот на сечилото.
2. Чувајте го алатот на суво и високо или заклучено место подалеку од дофат на деца.
3. Не потпирајте го алатот наспроти нешто, како на пример сид. Во спротивно ненадејно може да падне и да предизвика повреда.

Прва помош

1. Секогаш имајте прибор за прва помош во близина. Веднаш заменете го секој дел изваден од приборот за прва помош.
2. Кога барате помош, дајте ги следните информации:
 - Место на несреќата
 - Што се случило
 - Број на повредени лица
 - Природа на повредата
 - Вашето име

ЗАЧУВАЈТЕ ГИ ОВИЕ УПАТСТВА.

⚠ ПРЕДУПРЕДУВАЊЕ:

НЕ ДОЗВОЛУВАЈТЕ доброто познавање на апаратот (што сте го стекнале од континуирана употреба) да ве натера да не се придржувате кон безбедносните правила за овој производ. **ЗЛОУПОРЕБАТА** или непочитувањето на безбедносните правила наведени во ова упатство за работа може да предизвика сериозна телесна повреда.

ОПИС НА ДЕЛОВИ (Слика. 1)

ФУНКЦИОНАЛЕН ОПИС

⚠ ПРЕДУПРЕДУВАЊЕ:

- Треба секогаш да бидете сигурни дека алатот е исклучен и откачен од струја пред да вршите нагудување или проверка на функциите на алатот. Доколку не го исклучите или откачите од струја, може да дојде до сериозна телесна повреда од случајно вклучување.

Функција на вклучување (Слика. 2)

⚠ ПРЕДУПРЕДУВАЊЕ:

- Пред да го вклучите, секогаш проверувајте дали копчето за вклучување правилно се вклучува и се враќа во позиција на „ИСКЛУЧЕНО“ кога ќе го отпуштите. Не притискајте го силно копчето за вклучување без да ја лизгате рачката за заклучување. Тоа може да го скрши копчето. Работењето со алатот чие што копче не се вклучува правилно може да доведе до губење на контролата и до сериозна телесна повреда.

За да се спречи случајно повлекување на копчето за вклучување, обезбедена е рачка за заклучување.

За да го вклучите алатот, лизгајте ја рачката за заклучување напред, а потоа повлечете го копчето за вклучување. Отпуштете го копчето за вклучување за да ја исклучите.

Најлонска глава за сечење (Слика. 3)

НАПОМЕНА:

- Не обидувајте се да го намотате крајот на главата со притискање додека алатот работи при висок број на вртежи во минута. Мотањето на крајот со притискање при висок број на вртежи во минута може да ја оштети најлонската глава за сечење.
- Мотањето на крајот со притискање нема правилно да функционира доколку главата не се врти.

ЗАБЕЛЕШКА:

- Стандардниот прибор зависи од моделот и земјата.

Најлонската глава за сечење е двојна глава за кастрене на трева која е опремена со механизам за мотање крајот со притискање.

За да го намотате најлонскиот крајот, притиснете ја главата за сечење од земјата додека главата за сечење ротира.

ЗАБЕЛЕШКА:

- Доколку најлонскиот крајот не се мота додека ја притискате главата, премотајте го/заменете го најлонскиот крајот според постапките опишани во „Одржување“.

Држач на кабел (Слика. 4)

Направете мала јамка со кабелот за струја, и закачете ја на држачот на кабел.

СКЛОПУВАЊЕ

⚠ ПРЕДУПРЕДУВАЊЕ:

- Пред да работите на алатот, секогаш проверувајте дали е исклучен и откачен од струја. Доколку не го исклучите или откачите од струја, може да дојде до сериозна телесна повреда од случајно вклучување.

- **Никогаш не вклучувајте го алатот додека не е целосно составен.** Користењето на алатот кога не е целосно составен може да предизвика сериозна телесна повреда од случајно вклучување.

Монтирање на рачката (Слика. 5)

⚠ ПРЕДУПРЕДУВАЊЕ:

- Не вадете го и не стеснувајте го разделникот или перничето. Разделникот одржува одредено растојание меѓу двете дланки. Поставување на составот за држење/барьера близу до другиот состав за држење над должината на разделникот може да предизвика губење на контролата и сериозна телесна повреда.

Поставете ја рачката и бариерата над гумениот дел на цевката на осовината. Нагодете ја локацијата на рачката, а потоа стегнете ги со четирите навртки.

Одобрена комбинација на алатот за сечење и штитникот

⚠ ПРЕДУПРЕДУВАЊЕ:

- **Секогаш користете го алатот со одобрената комбинација на заштитна опрема.** Во спротивно контактот со алатот за сечење може да предизвика сериозна повреда.
- **Никогаш не користете го алатот без илустрираниот штитник на своето место.** Непридржувањето до тоа може да предизвика сериозна лична повреда.

ЗАБЕЛЕШКА:

- Стандардниот прибор зависи од моделот и земјата.

За сечило (Слика. 6)

За најлонска глава за сечење (Слика. 7)

Монтирање на штитникот за сечило (Слика. 8)

1. Порамнете ги отворите на внатрешниот штитник и отворите на кукиштето на преносниот систем.
2. Потоа затегнете ги со три завртки.

Монтирање на штитникот за најлонска глава

⚠ ВНИМАНИЕ:

- Внимавајте да не се повредите себе си на секачот за сечење на најлонската жица.
- Не заборавајте да го отстраните штитникот на секачот пред користењето.

1. Порамнете ги четирите завртки на надворешниот штитник со отворите на внатрешниот штитник. (Слика. 9)

2. Затегнете ги со четирите завртки.
3. Порамнете ги отворите на внатрешниот штитник и отворите на кукиштето на преносниот систем.
4. Затегнете ги со завртки. (Слика. 10)

Монтирање на сечилото

⚠ ПРЕДУПРЕДУВАЊЕ:

- **Надворешниот дијаметар на сечилото мора да биде 230 мм.** Никогаш не користете какво било сечило што надминува 230 мм на надворешниот дијаметар.

⚠ ВНИМАНИЕ:

- Сечилото мора да биде добро исполувано, без пукнатини или скршени делови. Полирајте го или заменете го сечилото по секои три часа работење.
- Секогаш носете ракавици кога ракувате со сечилото.
- Секогаш поставувајте го капакот на сечилото кога алатот не се употребува или се транспортира.

- Навртката за прицврстување на сечилото се троши со тек на време. Ако се забележи некакво трошење или деформација, заменете ја навртката. Побарајте вашиот локален овластен сервисен центар да ја нарача.

НАПОМЕНА:

- Осигурете се дека користите оригинално сечило.

Свртете го алатот наопаку за лесно да може да го замените сечилото. (Слика. 11)

1. Поставете ја приемната шајбна на оската.
2. Вртете ја приемната шајбна додека жлебот на приемната шајбна не се постави врз жлебот на кукиштето на преносниот систем.
3. Поставете ја округлата прачка низ двата жлеба за приемната шајбна да не може да се врти.
4. Ставете го сечилото на приемната шајбна.
5. Ставете ја стезната шајбна на сечилото.
6. Ставете ја чашката на сечилото.
7. Прицврстете ги со навртка вртејќи ја спротивно на стрелките на часовникот додека ја придржувате округлата прачка.

За да го извадите сечилото, направете ги погоре споменатите чекори по спротивен редослед.

Монтирање на најлонска глава за сечење (Слика. 12)

НАПОМЕНА:

- Треба да користите оригинална најлонска глава за сечење.

Свртете го алатот наопаку за лесно да може да ја замените најлонската глава за сечење.

ЗАБЕЛЕШКА:

- Извадете го капакот на крајотот за сечење пред употреба.

1. Поставете ја приемната шајбна на оската.
2. Вртете ја приемната шајбна додека жлебот на приемната шајбна не се постави врз жлебот на кукиштето на преносниот систем.
3. Поставете ја округлата прачка низ двата жлеба за приемната шајбна да не може да се врти.
4. Наместете ја најлонската глава за сечење со вртење во правец спротивен на стрелките на часовникот.
5. Извадете ја округлата прачка по монтирањето на најлонската глава за сечење.

За да ја извадите најлонската глава за сечење, направете ги погоре споменатите чекори по спротивен редослед.

ФУНКЦИОНИРАЊЕ

Правилно работење со алатот (Слика. 13)

Правилна позиција

⚠ ПРЕДУПРЕДУВАЊЕ:

- **Алатот секогаш поставувајте го на вашата десна страна, така што бариерата секогаш да биде пред вашето тело.** Правилното поставување на алатот овозможува максимална контрола, а исто така го намалува ризикот од сериозна телесна повреда предизвикана од повратен удар.

ВНИМАНИЕ:

• Доколку за време на работењето алатот за сечење случајно удри во камен или тврд предмет, исклучете го алатот и проверете дали е оштетен. Ако алатот за сечење е оштетен, веднаш заменете го. Користењето оштетен алат за сечење може да доведе до сериозна телесна повреда.

Ставете ја прерамката за преку рамо на вашето лево рамо, протнувајќи ги вашата глава и десна рака низ неа и држете го алатот на вашата десна страна додека ја држите бариерата пред вашето тело.

Ставање на прерамка за преку рамо (Слика. 14)

Нагодете ја должината на прерамката така што алатот да биде паралелно поставен со земјата.

Поврзете ги закачалката и прерамката.

ПРЕДУПРЕДУВАЊЕ:

• Бидете особено внимателни за да можете во секое време да ја одржувате контролата. Не дозволувајте алатот да се одбива од вас или од кој било во работната околина. Губењето контрола над алатот може да резултира со сериозна повреда на лице што стои во близина или на операторот.

Нагодување на позицијата на закачалката и на прерамката (Слика. 15)

Нагодете ја позицијата на закачалката како што е илустрирано. (Слика. 16)

За да ја промените позицијата на закачалката, олабавете ја навртката на закачалката. Потоа, преместете ја закачалката.

Откако ќе ја нагодите позицијата на закачалката, цврсто прицврстете ја завртката со клучот.

ОДРЖУВАЊЕ

ПРЕДУПРЕДУВАЊЕ:

• Треба секогаш да бидете сигурни дека алатот е исклучен и откачен од струја пред да вршите проверка или одржување на алатот. Доколку не го исклучите или откачите од струја, може да дојде до сериозна телесна повреда од случајно вклучување.

НАПОМЕНА:

• Никогаш не користете бензин, растворувач, алкохол или слично. Може да дојде до губење на бојата, деформација или пукнатини.

Заменување на најлонскиот конец (Слика. 17)

ПРЕДУПРЕДУВАЊЕ:

• Треба да бидете сигурни дека најлонската глава за сечење е добро прицврстена на алатот пред да започнете со работа. Лабавата најлонска глава за сечење може да одлети настрана од алатот и да предизвика сериозна телесна повреда.

1. Извадете ја најлонската глава за сечење.
2. Извадете го капакот, со притискање на двете стеги што претставуваат делови со жлеб на спротивните страни на чашката.
3. Извадете го калемот. И извадете го стариот најлонски конец од калемот.
4. Исечете го најлонскиот конец во должина 3 – 6 м. Преклопете го конечот за сечење на две, оставете ја едната половина подолга за 80 – 100 мм од другата. (Слика. 18)

5. Закачете ја средината на новиот најлонски конец на отворот што се наоѓа во центарот на калемот, меѓу двата канала обезбедени за најлонскиот конец. (Слика. 19)
6. Вртете ги обата краја цврсто по должината на каналите во правецот означен со стрелката на калемот. (Слика. 20)
7. Ставете ги најлонските жици низ отворите за окцата така за да излезат од чашката.
8. Порамнете го исплакнатиот дел на долната страна од капакот со отворите за окцата. Потоа цврсто притиснете го капакот врз чашката за да ја осигурите. Осигурете се дека стегите се целосно раширени во капакот.

За вашиот производ да биде БЕЗБЕДЕН и СИГУРЕН, поправките, сервисирањето или приспособувањето треба да ги извршува Овластен сервисен центар на Makita, кој секогаш користи Makita делови за замена.

ВРЕМЕНСКИ ИНТЕРВАЛ НА ОДРЖУВАЊЕ

Делови:	Интервал:	Што да се направи:
Кабел за напојување	Секогаш пред употреба	Визуелно проверете дали е многу изабен или оштетен. Доколку е оштетен, побарајте од вашиот локален сервисен центар да изврши поправка.
Завртка за помошната рачка	Секогаш пред употреба	Проверете дали завртката е лабава. Доколку завртката е лабава, стегнете ја. Доколку завртката е оштетена, заменете ја.
Штитник на алатот за сечење (заштитник)	Секогаш пред употреба	Проверете дали завртката е лабава и дали заштитникот е оштетен. Доколку завртката е лабава, стегнете ја. Заменете го заштитникот доколку е оштетен.
Сечило за сечење	Секои 10 часа	Подмачкувајте со антикорозивно масло по секоја употреба. Проверете дали е оштетено. Заменете ако е оштетено.
Глава за сечење со најлон	Секои 10 часа	Визуелно проверете дали е многу изабена или оштетена. Доколку е оштетена, заменете ја.
Преносно вратило	Секои 10 часа	Подмачкувајте со антикорозивно масло.

РЕШАВАЊЕ ПРОБЛЕМИ

Пред да побарате поправка, прво вие сами направете проверка. Доколку откриете проблем што не е објаснет во упатството, не обидувајте се да го расклопите алатот. Наместо тоа, побарајте тоа да го стори Овластен сервисен центар на Makita, кој секогаш користи Makita делови за замена.

Статус на дефект	Причина	Дејство
Моторот не работи.	Не е вклучен во струја.	Вклучете го во струја.
	Кабелот за струја е скинат.	Обратете се во вашиот локален овластен сервисен центар за поправка.
	Погонскиот систем не функционира правилно.	
Моторот престанува да работи после кратка употреба.	Прегревавање.	Престанете со користење на алатот и оставете го да се излади.
Не го достигнува максималниот број на вртежи во минута (RPM).	Погонскиот систем не функционира правилно.	Обратете се во вашиот локален овластен сервисен центар за поправка.
Алатот за сечење не се врти: веднаш исклучете ја машината!	Надворешен предмет, како на пример гранка е заглавена меѓу штитникот и алатот за сечење.	Извадете го надворешниот предмет.
	Навртката за прицврстување на сечилото е лабава.	Правилно затегнете ја навртката како што е опишано во ова упатство.
	Сечилото е свиткано.	Заменете го сечилото.
	Погонскиот систем не функционира правилно.	Обратете се во вашиот локален овластен сервисен центар за поправка.
Ненормална вибрација: веднаш исклучете ја машината!	Едниот крај на најлонскиот конец е скинат.	Притиснете ја најлонската глава за сечење на земја додека се врти за да предизвикате намотување на конецот.
	Сечилото е свиткано, напукнато или истрошено.	Заменете го сечилото.
	Навртката за прицврстување на сечилото е лабава.	Правилно затегнете ја навртката како што е опишано во ова упатство.
	Сечилото е неправилно прицврстено.	
Погонскиот систем не функционира правилно.	Обратете се во вашиот локален овластен сервисен центар за поправка.	
Алатот за сечење и моторот не можат да се исклучат: Веднаш исклучете го приклучокот од струја!	Дефект во електриката или електрониката.	Исклучете го приклучокот од струја и обратете се во вашиот локален овластен сервис за поправка.

ОПЦИОНАЛЕН ПРИБОР



ВНИМАНИЕ:

- Овие додатоци или прилози се препорачани за употреба со алати на Makita наведени во овој прирачник. Користењето на какви било други додатоци или прилози може да претставува ризик од телесни повреди. Користете го дополнителниот прибор или дополнителните делови за нивната намена.

Доколку ви е потребна каква било помош или повеќе податоци за овие додатоци, обратете се во вашиот локален сервисен центар за Makita.

- Сечило за сечење
- Најлонска глава за сечење
- Најлонски конец (линија за сечење)
- Прерамка за преку рамо

ЗАБЕЛЕШКА:

- Некои производи на листата можеби се вклучени во пакетот со алатот како стандардни додатоци. Тие може да се разликуваат од земја до земја.

Legendă pentru vederea detaliată

1 Suport cablu	10 Dispozitiv de tăiere	20 Cuțit
2 Cablu de alimentare (fișa poate fi diferită, în funcție de țară)	11 Curea pentru umăr	21 Șaibă de prindere
3 Mâner spate	12 Amortizor	22 Taler
4 Buton de blocare	13 Zona de tăiere cea mai eficientă	23 Piuliță
5 Trăgaci întrerupător	14 Mâner	24 Cap de tăiere cu fir de nailon
6 Mâner frontal	15 Piesă din cauciuc	25 Lamă pentru tăierea firului de nailon
7 Agățătoare (punct de agățare)	16 Apărătoare interioară	26 Capac
8 Piedică	17 Apărătoare exterioară	27 Agățătoare
9 Apărătoare (protecție) dispozitiv de tăiere	18 Șaibă de fixare	28 80 – 100 mm
	19 Bară rotundă	29 Bobină

DATE TEHNICE

Model	UR2300	UR3502
Tipul mânerului	Mâner tip buclă	
Lungime totală	1.630 mm	
Putere nominală continuă	1.000 W	
Turație la mers în gol	5.700 min ⁻¹	5.700 min ⁻¹
Dispozitiv de tăiere	Cuțit	Cap de tăiere cu fir de nailon
Lățime de tăiere	230 mm	350 mm
Greutate netă	4,7 kg	4,9 kg
Clasă de siguranță	☐/II	

- Datorită programului nostru continuu de cercetare și dezvoltare, datele tehnice pot fi modificate fără aviz prealabil.
- Acestea pot diferi de la o țară la alta.
- Greutate în conformitate cu Procedura EPTA 01/2003

Zgomot	Nivelul mediu de presiune acustică		Nivelul mediu de putere acustică		Standard aplicabil
	L _{PA} (dB (A))	Coefficient de nesiguranță K (dB (A))	L _{WA} (dB (A))	Coefficient de nesiguranță K (dB (A))	
Dispozitiv de tăiere					
Cuțit	80,8	2,5	93,45	1,23	EN 60335-1, EN 50636-2-91, EN ISO 11806
Cap de tăiere cu fir de nailon	85,3	2,5	93,84	1,58	

- Purtați antifoane.

Vibrații	Mâner frontal		Mâner spate		Standard aplicabil
	a _h (m/s ²)	Coefficient de nesiguranță K (m/s ²)	a _h (m/s ²)	Coefficient de nesiguranță K (m/s ²)	
Dispozitiv de tăiere					
Cuțit	2,856	1,5	2,712	1,5	EN 60335-1, EN 50636-2-91, EN ISO 11806
Cap de tăiere cu fir de nailon	2,768	1,5	2,694	1,5	

- Nivelul de vibrații declarat a fost măsurat în conformitate cu metoda de test standard și poate fi utilizat pentru compararea unei uneelte cu o alta.
- Nivelul de vibrații declarat poate fi, de asemenea, utilizat într-o evaluare preliminară a expunerii.

⚠ AVERTISMENT:

- Nivelul de vibrații în timpul utilizării reale a unelei electrice poate diferi de valoarea nivelului declarat, în funcție de modul în care este utilizată unealta.
- Identificați măsurile de siguranță pentru a proteja utilizatorul, măsuri bazate pe o estimare a expunerii în condiții reale de utilizare (luând în considerare toate fazele ciclului de funcționare, ca de exemplu timpul în care unealta a fost oprită sau a funcționat în gol, pe lângă timpul de declanșare).

Simboluri

Mai jos sunt prezentate simbolurile utilizate pentru echipament. Asigurați-vă că înțelegeți semnificația acestora înainte de utilizare.



- Acordați o atenție deosebită.



- Citiți manualul de instrucțiuni.



- Pericol; atenție la obiectele proiectate.



- Distanța dintre unealtă și persoanele din apropiere trebuie să fie de cel puțin 15 m.



- Persoanele aflate în zonă trebuie să stea la distanță.



- Purtați cască, ochelari de protecție și antifoane.



- Purtați mănuși de protecție.



- Purtați încălțăminte solidă, cu talpă antiderapantă. Se recomandă cizme cu bombeu metalic.



- Nu expuneți la umezeală.



- Scoateți fișa din priză în cazul în care cablul este deteriorat sau încurcat.



- Evitați reculul.



- Păstrați o distanță de cel puțin 15 m.



- DUBLĂ IZOLAȚIE



- Numai pentru țările UE
Nu aruncați echipamentul electric împreună cu deșeurile menajere obișnuite!

Conform directivei europene privind deșeurile de echipamente electrice și electronice și implementarea acesteia în conformitate cu legislația națională, echipamentele electrice care urmează să fie scoase din uz trebuie să fie colectate separat și predate unui centru de reciclare care respectă siguranța mediului înconjurător.

DECLARAȚIE DE CONFORMITATE CE

Doar pentru țările europene

Declarația de conformitate CE este inclusă ca Anexa A la prezentul manual de instrucțiuni.

Avertismente generale de siguranță pentru mașinile electrice

⚠️ AVERTISMENT Citiți toate avertismentele și instrucțiunile cu privire la siguranță. Nerespectarea avertismentelor și instrucțiunilor poate duce la electrocutare, incendiu și/sau vătămări grave.

Păstrați toate avertismentele și instrucțiunile pentru consultări ulterioare.

Termenul „mașină electrică” din avertizări se referă la mașinile dumneavoastră electrice acționate de la rețea (prin cablu) sau cu acumulator (fără cablu).

Siguranța zonei de lucru

1. **Păstrați zona de lucru curată și bine iluminată.** Zonele de lucru dezordonate sau întunecate favorizează accidentele.
2. **Nu folosiți mașina în atmosfere explozive, sau în prezența lichidelor, a gazelor sau a pulberilor inflamabile.** Mașinile electrice generează scântei care pot aprinde praful sau vaporii.
3. **Nu permiteți accesul copiilor și al vizitatorilor în zona de lucru.** Distragerea atenției poate duce la pierderea controlului asupra mașinii.

Siguranța electrică

4. **Fișele mașinii electrice trebuie să se potrivească la prize. Nu modificați niciodată fișele, sub nicio formă. Nu folosiți prize cu adaptor pentru mașinile cu împământare.** Fișele nemodificate și prizele corespunzătoare reduc riscul de electrocutare.
5. **Evitați contactul corpului cu suprafețele împământate, precum conducte, radiatoare, cuptoare și frigider.** Vă puteți electrocuta în cazul în care corpul dumneavoastră este legat la pământ.
6. **Nu expuneți mașina electrică la ploaie sau condiții de umiditate.** Apa care penetrează mașina electrică sporește riscul de electrocutare.
7. **Nu forțați cablul de alimentare. Nu transportați, trageți sau deconectați niciodată mașina de cablu. Feriți cablul de alimentare de căldură, uleiuri, muchii tăioase sau piese mobile.** Un cablu de alimentare deteriorat sau încurcat sporește riscul de electrocutare.
8. **Când folosiți mașina electrică în exterior, folosiți un cablu de extensie pentru exterior.** Folosirea unui cablu de alimentare pentru exterior reduce riscul de electrocutare.
9. **Dacă operarea unei mașini electrice într-o locație cu umezeală nu poate fi evitată, utilizați o alimentare cu protecție prin dispozitiv la curent rezidual (RCD).** Utilizarea unei protecții RCD reduce riscul șocurilor electrice.
10. **Se recomandă utilizarea în permanență a unei surse de alimentare prevăzute cu un RCD cu un curent rezidual nominal de 30 mA sau mai puțin.**

Siguranța personală

11. **Fiți atent și acționați cu simțul răspunderii atunci când folosiți o mașină electrică.** Nu folosiți o mașină electrică atunci când sunteți obosit, când vă aflați sub influența drogurilor, alcoolului sau a medicamentelor. Un moment de neatenție în timpul funcționării poate cauza vătămări corporale grave.

12. **Purtați echipamentul personal de protecție. Purtați întotdeauna ochelari de protecție.** Echipamentele de protecție precum masca de protecție contra prafului, încălțăminte cu talpă antiderapantă, casca sau protecția pentru urechi utilizate pentru condiții corespunzătoare vor reduce riscul accidentărilor.
13. **Preveniți punerea accidentală în funcțiune. Asigurați-vă că întrerupător este pe poziția de oprire înainte de conectarea la sursa de alimentare și/sau la acumulator, înainte de ridicarea sau transportarea unelei.** Transportarea mașinilor electrice ținând degetul pe întrerupător sau alimentarea acestora cu întrerupătorul pornit favorizează accidentările.
14. **Îndepărtați cheile de scule înainte de a porni mașina electrică.** O cheie atașată la o piesă în mișcare a mașinii electrice poate cauza vătămări corporale.
15. **Nu vă întindeți excesiv. Mențineți-vă permanent echilibrul și sprijiniți-vă ferm pe picioare.** Acest lucru vă permite un control mai bun al mașinii electrice în situații neașteptate.
16. **Purtați haine corespunzătoare. Nu purtați îmbrăcăminte prea largă sau bijuterii. Nu țineți părul, îmbrăcăminte și mânușile în apropierea pieselor mobile.** Hainele largi, bijuteriile sau părul lung se pot prinde în piesele aflate în mișcare.
17. **Dacă sunt prevăzute dispozitive pentru conectarea la un sistem de extragere și colectare a prafului, asigurați-vă că acestea sunt cuplate și utilizate corespunzător.** Utilizarea colectării prafului poate reduce pericolele asociate prafului.

Utilizarea și îngrijirea mașinilor electrice

18. **Nu forțați mașina electrică. Folosiți mașina electrică corespunzătoare pentru aplicație.** Mașina electrică corespunzătoare va efectua operațiunea mai bine și în mai multă siguranță dacă este folosită la rata pentru care a fost concepută.
19. **Nu folosiți mașina electrică dacă întrerupătorul nu funcționează.** Orice mașină electrică care nu poate fi controlată din întrerupător este periculoasă și trebuie să fie reparată.
20. **Deconectați fișa de la sursa de curent electric și/ sau scoateți acumuloarele din mașină înainte de a efectua reglaje, schimba accesoriile sau de a depozita uneltele electrice.** Măsurile de siguranță preventive reduc riscul de a porni accidental mașina electrică.
21. **Depozitați mașinile electrice pe care nu le folosiți într-un loc care nu se află la îndemâna copiilor sau a persoanelor ce nu sunt familiarizate cu instrucțiunile de utilizare ale mașinilor electrice.** Mașinile electrice sunt periculoase dacă nu sunt folosite corespunzător.
22. **Întrețineți mașinile electrice. Verificați posibila aliniere incorectă sau posibila blocare a pieselor mobile, deteriorarea componentelor sau orice alte condiții care pot afecta funcționarea sculei electrice.** Dacă este deteriorată, reparați scula electrică înainte de utilizare. Multe accidente sunt provocate de sculele electrice întreținute necorespunzător.
23. **Păstrați instrumentele de tăiere curate și ascuțite.** Instrumentele de tăiere bine întreținute nu se vor gripa și sunt mai ușor de controlat.

24. **Utilizați mașina electrică, accesoriile și capetele uneltelor etc. conform acestor instrucțiuni, luând în considerare condițiile de lucru și lucrarea care trebuie efectuată.** Utilizarea mașinii electrice pentru operațiuni diferite de cele pentru care a fost destinată poate avea ca rezultat o situație periculoasă.

Service

25. **Mașina electrică trebuie să fie reparată de un expert, folosind piese identice de schimb.** Astfel se mențin siguranța și fiabilitatea mașinii electrice.
26. **Respectați instrucțiunile de lubrifiere și de schimbare a accesoriilor.**
27. **Mănerile trebuie să fie în permanență uscate, curate și fără urme de ulei sau grăsime.**

INSTRUCȚIUNI IMPORTANTE PRIVIND SIGURANȚA

⚠ AVERTISMENT! Citiți toate avertismentele și instrucțiunile cu privire la siguranță. Nerespectarea avertismentelor și a instrucțiunilor poate duce la electrocutare, incendiu și/sau vătămări grave.

Păstrați toate avertismentele și instrucțiunile pentru consultări ulterioare.

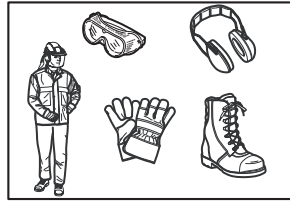
Domeniu de utilizare

1. Trimmerul pentru tăierea ierbii/tufișurilor/trimmerul de umăr este destinat exclusiv tăierii ierbii, buruienilor, tufișurilor și arbuștilor. Nu îl utilizați în alt scop, de exemplu pentru bordurarea sau tăierea gardurilor vii; se pot produce vătămări corporale.

Instrucțiuni generale

1. Interziceți utilizarea unelei de către persoane nefamiliarizate cu aceste instrucțiuni, persoane (inclusiv copii) cu capacități fizice, senzoriale sau mentale reduse ori fără experiență și cunoștințe necesare. Supravegheați copiii pentru a vă asigura că nu se joacă cu unealta.
2. Înainte de a pune în funcțiune unealta, citiți manualul de instrucțiuni pentru a vă familiariza cu manevrarea unelei.
3. Nu împrumutați unealta unei persoane cu experiență sau cunoștințe reduse în ceea ce privește manevrarea trimmerelor pentru tăiat tufișuri și a trimmerelor cu cap de tăiere cu fir.
4. Atunci când împrumutați unealta, anexați și manualul de instrucțiuni.
5. Manevrați unealta cu cea mai mare grijă și atenție.
6. Nu utilizați niciodată unealta după ce ați consumat alcool sau medicamente sau dacă vă simțiți obosit ori sunteți bolnav.
7. Nu încercați să modificați unealta.
8. Aveți grijă să nu vă răniți în dispozitivele montate pentru tăierea firului de nailon. După prelungirea firului de tăiere nou, readuceți unealta în poziția normală de funcționare înainte de a o porni.
9. Respectați legislația națională privind manevrarea trimmerelor pentru tăiat tufișuri și a trimmerelor de umăr.

Echipamentul individual de protecție



1. Purtați cască, ochelari de protecție și mănuși pentru a vă proteja împotriva resturilor proiectate sau a obiectelor în cădere.
2. Purtați dispozitive de protecție auditivă, de exemplu antifoane, pentru a vă proteja auzul.
3. Purtați îmbrăcăminte și încălțăminte adecvate utilizării în siguranță, de exemplu salopetă de lucru și încălțăminte solidă cu talpă antiderapantă. Nu purtați haine largi sau bijuterii. Îmbrăcăminte largă, bijuteriile sau părul lung nestrâns pot fi prinse de piesele aflate în mișcare.
4. Purtați mănuși de protecție atunci când manipulați cuțitul. Cuțitele pot provoca tăieturi grave.

Siguranța zonei de lucru

1. Nu utilizați unealta decât în condiții de bună vizibilitate și lumină. Nu o utilizați pe întuneric sau ceață.
2. Nu utilizați unealta în atmosfere explozive, de exemplu în prezența lichidelor, gazelor sau pulberilor inflamabile. Unealta generează scântei, care pot provoca aprinderea pulberilor sau vaporilor.
3. În timpul utilizării, nu stați pe suprafețe instabile, alunecoase sau abrupte. În timpul sezonului rece, aveți grijă la suprafețele acoperite cu gheață sau zăpadă și adoptați o poziție stabilă.
4. În timpul utilizării, țineți persoanele străine și animalele la o distanță de cel puțin 15 m față de unealtă. Opriti unealta imediat ce o persoană se apropie de zona de lucru.
5. Înainte de utilizare, verificați dacă în zona de lucru se află pietre sau alte obiecte dure. Acestea pot fi proiectate sau pot cauza un recul periculos, putând provoca vătămări corporale grave și/sau pagube materiale.
6. **⚠ AVERTISMENT:** În urma utilizării acestui produs se pot degaja particule chimice, care pot cauza tulburări respiratorii sau alte afecțiuni. Printre substanțele chimice care se pot degaja se numără cele prezente în pesticide, insecticide, îngrășăminte și erbicide. Pericolele reprezentate de expunerea la aceste substanțe diferă în funcție de frecvența efectuării operațiunilor de tăiere. Pentru a reduce expunerea la substanțe chimice: lucrați într-o zonă bine aerisită și purtați echipament de protecție omologat, de exemplu măști anti-praf special concepute pentru filtrarea particulelor microscopice.

Siguranța electrică

1. **Fișele cablurilor de alimentare trebuie să se potrivească prizelor de curent. Nu modificați fișa. Nu folosiți adaptoare pentru uneltele electrice cu împământare.** Fișele nemodificate și prizele potrivite reduc pericolul de electrocutare.
2. **În timpul funcționării echipamentului, evitați contactul fizic cu obiecte supratereane sau subterane, de exemplu țevi, conducte de încălzire, mașini de gătit, frigider.** Pericolul de electrocutare este mai mare atunci când corpul dvs. nu este izolat electric.
3. Nu expuneți unealta la ploaie sau umezeală. Apa care pătrunde în unealtă poate mări pericolul de electrocutare.
4. **Nu utilizați cablul în alte scopuri, de exemplu pentru a transporta, trage sau scoate din priză echipamentul. Feriți cablul de sursele de căldură, de ulei, de marginile ascuțite sau de piesele mobile.** Un cablu deteriorat sau încurcat poate crește riscul de electrocutare.
5. Nu utilizați unealta dacă butonul de pornire/oprire nu funcționează. Unelele al căror buton nu poate fi acționat corespunzător sunt periculoase și trebuie reparate.
6. **Atunci când utilizați o unealtă electrică în aer liber, folosiți un prelungitor special destinat utilizării în aer liber.** Utilizarea unui astfel de cablu reduce pericolul de electrocutare.
7. **Dacă nu puteți evita utilizarea unelei electrice într-un loc umez, folosiți o sursă de alimentare prevăzută cu un dispozitiv de curent rezidual (RCD).** Utilizarea unui RCD reduce pericolul de electrocutare.
8. **Se recomandă utilizarea în permanență a unei surse de alimentare prevăzute cu un RCD cu un curent rezidual nominal de 30 mA sau mai puțin.**
9. Împiedicați pornirea accidentală. Asigurați-vă că butonul de pornire/oprire este în poziția de oprire înainte de a introduce în priză cablul de alimentare și înainte de a ridica sau transporta unealta. Transportarea uneltelor electrice cu degetul pe butonul de pornire/oprire sau introducerea în priză cu butonul în poziția de pornire favorizează accidentele.
10. Înainte de utilizare, verificați dacă există semne de deteriorare sau îmbătrânire pe cablurile de alimentare și prelungitoare.
11. Dacă, în timpul utilizării, cablul se deteriorează, scoateți-l imediat din priză. **Nu atingeți cablul înainte de a-l scoate din priză.**
12. Nu utilizați unealta în cazul în care cablul este deteriorat sau uzat.
13. Feriți cablul prelungitor de elementele de tăiere.

Punerea în funcțiune

1. Scoateți din priză cablul de alimentare înainte de a asambla sau regla unealta.
2. Purtați mănuși de protecție atunci când manipulați cuțitul.
3. Înainte de a introduce în priză cablul de alimentare, verificați dacă există semne de deteriorare, dacă șuruburile/piulițele sunt slăbite sau dacă unealta este incorect asamblată. Ascuțiți cuțitul dacă acesta este tocit. Înlocuiți cuțitul dacă este îndoit sau deteriorat. Verificați dacă toate manetele și butoanele de comandă pot fi acționate ușor. Curățați și uscați mânerul.

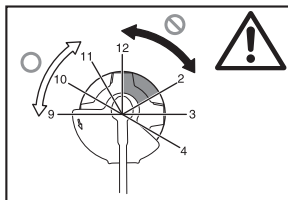
4. Nu încercați să porniți unealta dacă acesta este deteriorată sau incomplet asamblată. În caz contrar, se pot produce vătămări corporale grave.
5. Îndepărtați cheile de reglare înainte de a porni unealta. O cheie fixată pe o piesă rotativă a unelei poate provoca vătămări corporale.
6. Reglați cureaua pentru umăr și mânerul în funcție de înălțimea operatorului.
7. Atunci când introduceți în priză cablul de alimentare, țineți dispozitivul de tăiere la distanță de corp și de alte obiecte, inclusiv de sol. Acesta se poate roti în momentul pornirii și poate provoca vătămări corporale, deteriorarea unelei și/sau pagube materiale.

Utilizarea propriu-zisă

1. În caz de urgență, opriți unealta imediat.
2. Dacă detectați semne neobișnuite (de exemplu, zgomote sau vibrații) în timpul funcționării, opriți unealta. Nu utilizați unealta înainte de a identifica și remedia cauza problemei.
3. Avertisment. Dispozitivul de tăiere continuă să se rotească pentru o scurtă perioadă de timp după oprirea unelei. Nu vă grăbiți să atingeți dispozitivul de tăiere.
4. Purtați cureaua pentru umăr în timpul utilizării unelei. Țineți ferm unealta pe partea dreaptă.
5. Mențineți o poziție normală a corpului. Adoptați o poziție stabilă și păstrați-vă echilibrul în permanență. Aveți grijă să nu vă împiedicați în obstacolele neobservabile, de exemplu buturugi, rădăcini și șanțuri.
6. Nu utilizați unealta atunci când vă aflați pe o scară sau într-un copac, pentru a nu pierde controlul asupra unelei.
7. Înainte de a utiliza unealta și după orice lovitură puternică sau cădere, verificați starea unelei înainte de a continua să o utilizați. Verificați funcționarea comenzilor și a dispozitivelor de siguranță. Dacă există semne de deteriorare sau dacă aveți îndoieli cu privire la buna funcționare a acestora, solicitați verificarea și repararea unelei la centrul nostru de service autorizat.
8. Nu atingeți carcasa angrenajului. Aceasta se încălzește în timpul funcționării.
9. Luați pauze pentru a evita pierderea controlului pe fondul oboseții. Vă recomandăm să luați câte o pauză de 10-20 de minute la fiecare oră.
10. Atunci când lăsați unealta nesupravegheată, fie și pentru o perioadă scurtă, scoateți din priză cablul de alimentare. O unealtă nesupravegheată și cu cablul de alimentare în priză poate fi utilizată de persoane neautorizate și poate provoca accidente grave.
11. În cazul în care între dispozitivul de tăiere și apărătoare se adună iarbă sau crengi, opriți unealta și scoateți din priză cablul de alimentare înainte de a le îndepărta. În caz contrar, dispozitivul de tăiere se poate roti accidental și poate provoca vătămări corporale grave.
12. Opriți imediat unealta dacă dispozitivul de tăiere lovește pietre sau alte obiecte dure. După aceea, scoateți din priză cablul de alimentare și examinați dispozitivul de tăiere.

13. Pe durata utilizării, verificați periodic dacă dispozitivul de tăiere prezintă fisuri sau semne de deteriorare. Înainte de verificare, scoateți din priză cablul de alimentare și așteptați până când dispozitivul de tăiere se oprește complet. Înlocuiți imediat dispozitivul de tăiere deteriorat, chiar dacă prezintă doar fisuri superficiale.
14. Nu tăiați mai sus de zona taliei dvs.
15. Înainte de a începe să tăiați, așteptați ca dispozitivul de tăiere să ajungă la o turație constantă.
16. Atunci când utilizați cuțite metalice, efectuați o mișcare semicirculară de la dreapta la stânga, ca și cum ați folosi o coasă.
17. Țineți unealta numai de părțile izolate, pentru că există posibilitatea atingerii cablurilor ascunse cu cuțitul. În cazul în care cuțitul atinge un cablu sub tensiune, părțile metalice neizolate ale unelei se pot încălca electric, iar operatorul se poate electrocuta.
18. Aveți grijă ca orificiile de ventilație să nu fie astupate de resturi.

- Utilizarea segmentului corespunzător unghiului format de orele 11 și 12 și celui format de orele 2 și 5 le este permisă numai operatorilor bine pregătiți și experimentați și doar pe propria lor răspundere.
- Nu utilizați cuțitele în apropierea obiectelor dure, de exemplu garduri, ziduri, trunchiuri de copaci și pietre.
- Nu utilizați cuțitele în poziție verticală pentru a bordura sau tăia garduri vii.

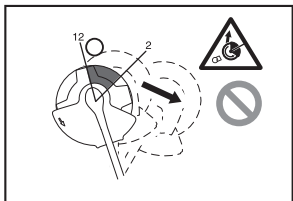


Accesoriile de tăiere

1. Utilizați accesoriul de tăiere potrivit pentru operațiunea pe care o efectuați.
 - Capetele de tăiere cu fir de nailon (capete pentru trimmere de umăr) sunt adecvate pentru tăierea ierbii.
 - Cuțitele metalice sunt adecvate pentru tăierea buruienilor, ierbii înalte, tufişurilor, tufelor, arbuștilor, tufărîşului etc.
 - Nu utilizați cuțite compuse din ax cu lanțuri metalice și mai multe lame mobile. Se pot produce vătămări corporale grave.
2. Folosiți întotdeauna apărătoarea potrivită pentru accesoriul de tăiere utilizat.
3. Nu montați elemente de tăiere metalice la modelele cu cap de tăiere cu fir de nailon.
4. Atunci când utilizați cuțite metalice, evitați reculul și fiți întotdeauna pregătit pentru producerea unui. Consultați capitolul „Reculul”.

Reculul (forța de revenire a cuțitului)

1. Reculul (forța de revenire a cuțitului) este reacția bruscă a cuțitului prins sau blocat. În momentul reculului, unealta este proiectată violent într-o parte sau înspre operator și poate provoca vătămări corporale grave.
2. Reculul se produce mai ales atunci când segmentul cuțitului corespunzător unghiului format între orele 12 și 2 pe cadranul unui ceas intră în contact cu obiecte dure, tufişuri și arbori cu diametru de peste 3 cm.



3. Pentru a evita reculul:
 - Utilizați segmentul corespunzător unghiului format de orele 8 și 11.
 - Nu utilizați niciodată segmentul corespunzător unghiului format de orele 12 și 2.

Vibrații

1. Persoanele cu probleme circulatorii expuse vibrațiilor excesive pot suferi leziuni ale vaselor sanguine sau ale sistemului nervos. Vibrațiile pot duce la apariția următoarelor simptome în degete, mâini sau încheieturi: insensibilitate (amorțeală), furnicăături, durere, înțepături, modificări ale culorii sau aspectului pielii. Dacă apare vreunul dintre aceste simptome, consultați medicul.
2. Pentru a reduce riscul apariției sindromului degetelor albe, mențineți-vă mâinile calde în timpul utilizării și păstrați în bună stare unealta și accesoriile.

Transportarea

1. Înainte de a transporta unealta, opriți-o și scoateți din priză cablul de alimentare. Montați capacul pe cuțit.
2. Transportați unealta în poziție orizontală, ținând-o de ax.
3. Atunci când transportați unealta într-un vehicul, fixați-o corespunzător, pentru a nu se răsturna. În caz contrar, unealta și bagajele din apropiere sa se pot deteriora.

Întreținere

1. Solicitați repararea unelei la centrul nostru de service autorizat, cu mențiunea ca piesele înlocuite să fie originale. Lucrările de reparație incorecte și lipsa întreținerii pot scurta durata de viață a unelei și pot crește pericolul producerii de accidente.
2. Înainte de a efectua operațiuni de întreținere, reparație sau curățare, opriți unealta și scoateți din priză cablul de alimentare.
3. Purtați mănuși de protecție atunci când manevrați cuțitul.
4. Nu lăsați praful și impuritățile să se acumuleze pe unealtă. Nu folosiți niciodată benzină, neofalină, diluant, alcool sau substanțe asemănătoare pentru a curăța unealta. Componentele din plastic se pot decolora, deforma sau fisura.
5. După fiecare utilizare, strângeți toate șuruburile și piulițele.
6. Nu încercați să efectuați operațiuni de întreținere sau reparație nemenționate în manualul de instrucțiuni. Pentru astfel de operațiuni, adresați-vă centrului nostru de service autorizat.

- Utilizați întotdeauna piese de schimb și accesorii originale. Utilizarea pieselor sau accesoriilor fabricate de terți poate provoca defectarea unelei, pagube materiale și/sau vătămări corporale grave.
- Solicitați centrului nostru de service autorizat verificarea și întreținerea unelei la intervale regulate.

Depozitarea

- Înainte de a depozita unealta, efectuați toate operațiunile de întreținere și curățare. Scoateți din priză cablul de alimentare. Montați capacul pe cuțit.
- Păstrați unealta într-un loc uscat aflat la înălțime sau încuiat, la care copiii nu pot ajunge.
- Nu sprijiniți unealta de perete sau de diverse obiecte. Aceasta poate cădea brusc și provoca vătămări corporale.

Primul ajutor

- Țineți permanent la îndemână o trusă de prim ajutor. Încalcați imediat orice articol luat din trusa de prim ajutor.
- Atunci când solicitați ajutor, indicați următoarele:
 - Locul producerii accidentului
 - Ce s-a întâmplat
 - Numărul de persoane rănite
 - Natura leziunilor
 - Numele dvs.

PĂSTRAȚI ACESTE INSTRUCȚIUNI.

⚠️ AVERTISMENT:

NU ignorați respectarea cu strictețe a regulilor de siguranță bazându-vă pe faptul că sunteți deja familiarizat cu produsul (în urma utilizării îndelungate). **UTILIZAREA INCORECTĂ** sau nerespectarea regulilor de siguranță menționate în acest manual poate provoca vătămări corporale grave.

DESCRIEREA PIESELOR COMPONENTE

(Fig. 1)

DESCRIEREA FUNCȚIILOR

⚠️ AVERTISMENT:

- Asigurați-vă întotdeauna că unealta este oprită și cablul de alimentare scos din priză înainte de a efectua reglaje sau de a verifica funcțiile unelei. În caz contrar, pornirea accidentală a unelei poate provoca vătămări corporale grave.

Funcția butonului de pornire/oprire (Fig. 2)

⚠️ AVERTISMENT:

- Înainte de a introduce în priză cablul de alimentare, verificați dacă trăgaciul întrerupătorului funcționează corect și dacă revine în poziția „OFF” după ce este eliberat. Nu forțați trăgaciul; verificați mai întâi dacă butonul de blocare glisant este în poziția de deblocare. În caz contrar, trăgaciul se poate rupe. Funcționarea incorectă a butonului de pornire/oprire poate duce la pierderea controlului asupra unelei și poate cauza vătămări corporale grave.

Unealta este prevăzută cu un buton de blocare, care are rolul de a împiedica acționarea accidentală a trăgaciului. Pentru a porni unealta, împingeți butonul înainte, apoi apăsați trăgaciul. Eliberați trăgaciul pentru a opri unealta.

Capul de tăiere cu fir de nailon (Fig. 3)

OBSERVAȚIE:

- Nu încercați să alimentați prin lovire capul de tăiere în timp ce unealta funcționează la turație ridicată. În caz contrar, capul de tăiere cu fir de nailon se poate deteriora.
- Mecanismul de alimentare prin lovire nu va funcționa corect în cazul în care capul nu se rotește.

NOTĂ:

- Accesorii standard pot fi diferite în funcție de model și de țară.

Capul de tăiere cu fir de nailon este un cap cu fir dublu, prevăzut cu un mecanism de alimentare prin lovire. Pentru a desfășura firul de nailon, loviți capul de tăiere de sol în timp ce acesta se rotește.

NOTĂ:

- Dacă firul nu se desfășoară prin lovire, înfășurați/încalcați firul urmând procedura descrisă în capitolul „Întreținerea”.

Suportul pentru cablu (Fig. 4)

Strângeți cablul într-o buclă mică și agățați-l de suport.

ASAMBLAREA

⚠️ AVERTISMENT:

- Asigurați-vă întotdeauna că unealta este oprită și cablul de alimentare scos din priză înainte de a efectua lucrări asupra sa. În caz contrar, pornirea accidentală a unelei poate provoca vătămări corporale grave.
- Nu porniți unealta dacă nu este complet asamblată. Funcționarea în stare parțial asamblată poate provoca vătămări corporale grave în urma pornirii accidentale.

Montarea mânerului (Fig. 5)

⚠️ AVERTISMENT:

- Nu îndepărtați și nu micșorați distanțierul sau amortizorul. Acesta păstrează o anumită distanță între mâinile operatorului. Montarea ansamblului mâner/piedică prea aproape de celălalt mâner, depășind lungimea distanțierului, poate provoca pierderea controlului asupra unelei și vătămări corporale grave.

Montați mânerul și piedica pe partea din cauciuc de pe tubul axului. Reglați poziția mânerului, apoi strângeți-l cu cele patru șuruburi.

Ansamblul admis de dispozitiv de tăiere și apărătoare

⚠️ AVERTISMENT:

- Utilizați unealta cu ansamblul de dispozitive de siguranță admis. În caz contrar, contactul cu un dispozitiv de tăiere poate provoca vătămări corporale grave.
- Nu utilizați unealta fără apărătoarea montată. În caz contrar, puteți suferi vătămări corporale grave.

NOTĂ:

- Accesorii standard diferă în funcție de model și de țară.

Pentru cuțit (Fig. 6)

Pentru capul de tăiere cu fir de nailon (Fig. 7)

Montarea apărătorii pentru cuțit (Fig. 8)

1. Aliniați orificiile de pe apărătoarea interioară cu cele de pe carcasa angrenajului.
2. Strângeți-le cu trei șuruburi.

Montarea apărătorii pentru capul de tăiere cu fir de nailon

⚠️ ATENȚIE:

- Aveți grijă să nu vă răniți în lama pentru tăierea firului de nailon.
- Nu uitați să scoateți apărătoarea cuțitului înainte de a utiliza unealta.

1. Așezați cele patru șuruburi de pe apărătoarea exterioară pe orificiile de pe apărătoarea interioară. (Fig. 9)
2. Strângeți-le cu cele patru șuruburi.
3. Aliniați orificiile de pe apărătoarea interioară cu cele de pe carcasa angrenajului.
4. Strângeți-le cu șuruburile. (Fig. 10)

Montarea cuțitului

⚠️ AVERTISMENT:

- **Diametrul exterior al cuțitului trebuie să fie de 230 mm.** Nu utilizați cuțite cu diametru exterior mai mare de 230 mm.

⚠️ ATENȚIE:

- Cuțitul trebuie să fie bine ascuțit și să nu prezinte fisuri sau rupturi. Ascuțiți sau înlocuiți cuțitul după fiecare trei ore de funcționare.
- Purtați mănuși de protecție atunci când manevrați cuțitul.
- Montați capacul peste cuțit atunci când nu utilizați unealta sau atunci când o transportați.
- Piulița de strângere a cuțitului se uzează în timp. Dacă piulița prezintă semne de uzură sau deformare, înlocuiți-o. Comandați piulița la centrul de service autorizat Makita din zona dvs.

OBSERVAȚIE:

- Utilizați un cuțit original.

Așezați unealta invers, pentru a înlocui mai ușor cuțitul. (Fig. 11)

1. Montați șaiba de fixare pe ax.
2. Rotiți șaiba până când canelura sa ajunge pe canelura de pe carcasa angrenajului.
3. Introduceți bara rotundă prin ambele caneluri, astfel încât șaiba să nu se mai poată roti.
4. Așezați cuțitul pe șaiba de fixare.
5. Așezați șaiba de prindere pe cuțit.
6. Așezați talerul pe cuțit.
7. Strângeți tot ansamblul cu piulița, rotind-o în sens invers acelor de ceasornic și ținând de bara rotundă.

Pentru a demonta cuțitul, urmați pașii de mai sus în ordine inversă.

Montarea capului de tăiere cu fir de nailon (Fig. 12)

OBSERVAȚIE:

- Utilizați un cap de tăiere original.

Așezați unealta invers, pentru a înlocui mai ușor capul de tăiere cu fir de nailon.

NOTĂ:

- Scoateți capacul de pe lama de tăiere a firului înainte de a utiliza unealta.

1. Montați șaiba de fixare pe ax.
2. Rotiți șaiba până când canelura sa ajunge pe canelura de pe carcasa angrenajului.
3. Introduceți bara rotundă prin ambele caneluri, astfel încât șaiba să nu se mai poată roti.
4. Montați capul de tăiere cu fir de nailon rotindu-l în sens invers acelor de ceasornic.
5. Scoateți bara rotundă după ce ați montat capul de tăiere cu fir de nailon.

Pentru a scoate capul de tăiere, urmați pașii de mai sus în ordine inversă.

FUNCȚIONAREA

Manevrarea corectă (Fig. 13)

Poziția corectă

⚠️ AVERTISMENT:

- **Țineți unealta pe partea dreaptă, astfel încât piedica să se afle în permanență în fața dvs.** O poziție corectă a uneltei vă asigură controlul maxim și reduce pericolul vătămărilor corporale grave cauzate de recul.

⚠️ ATENȚIE:

- **Dacă, în timpul funcționării, dispozitivul de tăiere atinge din greșeală o piatră sau un obiect tare, opriți unealta și verificați dacă prezintă semne de deteriorare. Înlocuiți imediat dispozitivul de tăiere dacă s-a deteriorat.** Utilizarea unui dispozitiv de tăiere deteriorat poate provoca vătămări corporale grave.

Așezați cureaua pe umărul stâng introducând capul și mâna dreaptă prin curea; țineți unealta pe partea dreaptă și aveți grijă ca piedica să fie permanent orientată spre dvs.

Fixarea curelei pentru umăr (Fig. 14)

Reglați lungimea curelei astfel încât dispozitivul de tăiere să fie paralel cu solul.

Cuplați cureaua în agățătoare.

⚠️ AVERTISMENT:

- **Fiți extrem de atent și mențineți permanent controlul asupra uneltei. Nu lăsați unealta să devieze spre dvs. sau spre alte persoane aflate în apropiere.** Pierderea controlului asupra uneltei poate cauza accidentarea gravă a operatorului și a persoanei din apropiere.

Reglarea poziției agățătorii și a curelei pentru umăr (Fig. 15)

Reglați poziția agățătorii după cum se arată în imagine. (Fig. 16)

Pentru a schimba poziția agățătorii, slăbiți șurubul de pe agățătoare. După aceea, mișcați agățătoarea în poziția dorită.

După ce ați poziționat agățătoarea, strângeți bine șurubul cu cheia.

ÎNȚREȚINEREA

⚠️ AVERTISMENT:

- **Asigurați-vă întotdeauna că unealta este oprită și cablul de alimentare scos din priză înainte de a efectua operațiuni de verificare sau întreținere asupra uneltei.** În caz contrar, pomirea accidentală a uneltei poate provoca vătămări corporale grave.

OBSERVAȚIE:

- Nu folosiți niciodată benzină, neofalină, diluant, alcool sau substanțe asemănătoare. Se pot produce decolorări, deformări sau fisuri.

Înlocuirea firului de nailon (Fig. 17)

AVERTISMENT:

- **Verificați dacă este bine fixat capul de tăiere cu fir de nailon înainte de a pune în funcțiune unealta.** Fixarea necorespunzătoare a capului poate duce la desprinderea sa și la vătămări corporale grave.

1. Scoateți capul de tăiere cu fir de nailon.
2. Scoateți capacul, apăsând pe cele două elemente de blocare reprezentate de porțiunea cu fante de pe partea opusă a talerului.
3. Scoateți bobina. Scoateți firul vechi din bobină.
4. Tăiați un fir de 3 – 6 m. Plițați-l în două și lăsați o parte cu 80 – 100 mm mai lungă. (Fig. 18)

5. Prindeți partea din mijloc a firului nou de fanta din centrul bobinei, între cele două canale prevăzute pentru fir. (Fig. 19)
6. Înfășurați ambele capete pe canale în direcția indicată de săgeata de pe bobină. (Fig. 20)
7. Introduceți firele de nailon prin orificii astfel încât să iasă din taler.
8. Aliniați partea proeminentă de pe partea inferioară a capacului cu fantele aferente orificiilor. După aceea, apăsați ferm capacul pe taler, pentru a-l fixa. Asigurați-vă că elementele de blocare sunt extinse complet în capac.

Pentru ca produsul să fie în permanență SIGUR și FIABIL, reparațiile, lucrările de întreținere și reglaje vor fi efectuate de către un centru de service Makita autorizat, folosindu-se întotdeauna piese de schimb Makita.

INTERVAL DE ÎNTREȚINERE

Piese:	Interval:	Operațiuni:
Cablu de alimentare	Înainte de fiecare utilizare	Verificați vizual prezența semnelor de deteriorare sau de uzură excesivă. În cazul în care cablul este deteriorat, solicitați înlocuirea acestuia la centrul de service din zona dumneavoastră.
Șurub mâner suplimentar	Înainte de fiecare utilizare	Verificați dacă șurubul este bine strâns. Dacă șurubul este slăbit, strângeți-l. Dacă șurubul este deteriorat, înlocuiți-l.
Apărătoare (protecție) dispozitiv de tăiere	Înainte de fiecare utilizare	Verificați dacă șurubul este bine strâns și dacă protecția este în bună stare, fără semne de deteriorare. Dacă șurubul este slăbit, strângeți-l. Dacă protecția este deteriorată, înlocuiți-o.
Cuțit	O dată la 10 ore	Lubrifiați cu ulei pentru protecție anticorozivă după fiecare utilizare. Verificați dacă prezintă semne de deteriorare. Dacă este deteriorat, înlocuiți-l.
Cap de tăiere cu fir de nailon	O dată la 10 ore	Verificați vizual prezența semnelor de deteriorare sau de uzură excesivă. Dacă este deteriorat, înlocuiți-l.
Ax cu angrenaje	O dată la 10 ore	Lubrifiați cu ulei pentru protecție anticorozivă.

REMEDIEREA PROBLEMELOR

Înainte de a solicita o reparație, verificați mai întâi dumneavoastră. În cazul în care depistați o problemă neexplicată în manual, nu încercați să demontați unealta. Adresați-vă unui centru de service autorizat Makita, unde se vor folosi piese de schimb Makita pentru reparații.

Defecțiune	Cauză	Soluție
Motorul nu funcționează.	Cablul de alimentare nu este conectat la priză.	Introduceți în priză cablul de alimentare.
	Cablul de alimentare este defect.	Adresați-vă centrului de service autorizat din zona dvs. în vederea reparării.
	Sistemul de acționare nu funcționează corect.	
Motorul se oprește după scurt timp.	Supraîncălzire.	Oprii unealta și lăsați-o să se răcească.
Nu atinge turația maximă.	Sistemul de acționare nu funcționează corect.	Adresați-vă centrului de service autorizat din zona dumneavoastră în vederea reparării.
Dispozitivul de tăiere nu se rotește: oprii imediat unealta!	Un corp străin, de exemplu o creangă, s-a blocat între apărătoare și dispozitivul de tăiere.	Îndepărtați corpul străin.
	Piulița de strângere a cuțitului s-a slăbit.	Strângeți piulița conform descrierii din manual.
	Cuțitul este îndoit.	Înlocuiți cuțitul.
	Sistemul de acționare nu funcționează corect.	Adresați-vă centrului de service autorizat din zona dvs. în vederea reparării.
Vibrații anormale: oprii imediat unealta!	Un capăt al firului de nailon s-a rupt.	Loviți capul de tăiere de sol în timp ce acesta se rotește, pentru a desfășura firul.
	Cuțitul este îndoit, fisurat sau uzat.	Înlocuiți cuțitul.
	Piulița de strângere a cuțitului s-a slăbit.	Strângeți piulița conform descrierii din manual.
	Cuțitul nu este bine strâns.	
	Sistemul de acționare nu funcționează corect.	Adresați-vă centrului de service autorizat din zona dvs. în vederea reparării.
Dispozitivul de tăiere și motorul nu pot fi oprite: scoateți imediat din priză fișa cablului de alimentare!	Defecțiune electrică sau electronică.	Scoateți din priză fișa cablului de alimentare și adresați-vă centrului de service autorizat din zona dvs. în vederea reparării.

ACCESORII OPȚIONALE

ATENȚIE:

• Aceste accesorii sau piese suplimentare sunt recomandate pentru unealta Makita prezentată în acest manual. Utilizarea altor accesorii sau piese suplimentare poate reprezenta un pericol de vătămare corporală. Folosiți accesoriul sau piesa suplimentară numai în scopul pentru care a fost creat(ă).

Dacă aveți nevoie de asistență sau mai multe informații cu privire la aceste accesorii, adresați-vă centrului de service Makita din zona dumneavoastră.

- Cuțit
- Cap de tăiere cu fir de nailon
- Fir de nailon (fir de tăiere)
- Curea pentru umăr

NOTĂ:

- Unele articole din listă pot fi livrate odată cu unealta ca accesorii standard. Acestea pot diferi de la o țară la alta.

Објашњење општег приказа

1 Држач кабла	9 Штитник резне алатке (заштитник)	19 Шипка
2 Кабл за напајање (облик се може разликовати од државе до државе)	10 Резна алатка	20 Сечиво
3 Задња дршка	11 Каиш за раме	21 Подлошка за фиксирање
4 Ручица за закључавање	12 Амортизер	22 Шоља
5 Прекидач за активирање	13 Област са најделотворнијим сечењем	23 Матица
6 Предња дршка	14 Дршка	24 Глава за сечење најлонском врпцом
7 Прикључак за каиш (тачка вешања)	15 Гумени део	25 Секач врпце
8 Граничник	16 Унутрашњи штитник	26 Поклопац
	17 Спољњи штитник	27 Прикључак за каиш
	18 Пријемна подлошка	28 80 – 100 mm
		29 Калем

СПЕЦИФИКАЦИЈЕ

Модел	UR2300	UR3502
Тип дршке	Кружна дршка	
Укупна дужина	1.630 mm	
Трајна снага мотора	1.000 W	
Брзина измерена без оптерећења	5.700 min ⁻¹	5.700 min ⁻¹
Резна алатка	Сечиво	Глава за сечење најлонском врпцом
Ширина сечења	230 mm	350 mm
Укупна тежина	4,7 kg	4,9 kg
Класа безбедности	II/II	

- Због нашег непрекидног програма истраживања и развоја, спецификације дате овде су подложне промени без претходног обавештења.
- Спецификације се могу разликовати од државе до државе.
- Тежина у складу са ЕРТА поступком 01/2003.

Бука	Просек нивоа звучног притиска		Просек нивоа снаге звука		Применљиви стандард
	L_{PA} (dB(A))	Несигурност K (dB(A))	L_{WA} (dB(A))	Несигурност K (dB(A))	
Резна алатка	80,8	2,5	93,45	1,23	EN 60335-1, EN 50636-2-91, EN ISO 11806
Глава за сечење најлонском врпцом	85,3	2,5	93,84	1,58	

- Носите заштиту за уши.

Вибрације	Предња дршка		Задња дршка		Применљиви стандард
	a_h (m/s ²)	Несигурност K (m/s ²)	a_h (m/s ²)	Несигурност K (m/s ²)	
Резна алатка	2,856	1,5	2,712	1,5	EN 60335-1, EN 50636-2-91, EN ISO 11806
Глава за сечење најлонском врпцом	2,768	1,5	2,694	1,5	

- Декларисана вредност емисија вибрација је измерена у складу са стандардним методом тестирања и може се користити за међусобно поређење алата.
- Декларисана вредност емисија вибрација се такође може користити за прелиминарну процену излагања.

⚠ УПОЗОРЕЊЕ:

- Емисије вибрација током стварне употребе овог електричног алата се могу разликовати од декларисаних емисија у зависности од начина на који се алат користи.
- Обавезно идентификујте мере безбедности у циљу заштите руковаоца које су засноване на процени излагања у стварним условима употребе (узимајући у обзир све делове циклуса коришћења као што су периоди када је алат искључен и када ради у стању мировања поред времена активног коришћења).

Симболи

У наставку су приказани симболи који се налазе на уређају. Постарајте се да разумете њихово значење пре употребе.



- Будите посебно пажљиви и обазриви.



- Прочитајте упутство за употребу.



- Опасност; пазите на предмете који се могу избацити.



- Раздаљина између алата и особа у окружењу мора да буде најмање 15 m.



- Држите људе у околини на одстојању.



- Носите заштитни шлем, наочаре и заштиту за уши.



- Носите заштитне рукавице.



- Носите чврсте чизме са ђоном који се не клиза. Препоручују се безбедносне чизме са челичним ојачањем предњег дела.



- Немојте да излажете влаги.



- Искључите струјни утикач ако је кабл оштећен или замршен.



- Избегавајте повратне ударе.



- Одржавајте раздаљину од најмање 15 m.



- ДВОСТРУКА ИЗОЛАЦИЈА



- Само за земље ЕУ
Немојте одлагати електронску опрему заједно са кућним смећем!
У складу са директивом Европског Савета о отпадној електричној и електронској опреми и њеном применом у складу са националним законима, електрична опрема која је стигла до краја радног века се мора засебно прикупити и вратити у еколошки компатибилно постројење за рециклажу.

ЕЗ ДЕКЛАРАЦИЈА О УСАГЛАШЕНОСТИ

Само за европске земље

ЕЗ декларација о усаглашености је приложена у виду додатка А овог упутства.

Општа безбедносна упозорења за електричне алате

⚠ УПОЗОРЕЊЕ Прочитајте сва безбедносна упозорења и сва упутства. Уколико не поштујете упозорења и упутства, може доћи до струјног удара, пожара и/или тешке повреде.

Сачувајте сва упозорења и упутства за будуће потребе.

Термин „електрични алат“ у упозорењима односи се на електрични алат који се напаја из електричне мреже (каблом) или батерије (без кабла).

Безбедност радног подручја

1. **Радно подручје мора бити чисто и добро осветљено.** Претрпане или мрачне области представљају области већег ризика.
2. **Немојте да користите електричне алате у експлозивним окружењима, на пример, у близини запалјивих течности, гасова и прашине.** Електрични алати производе варнице које могу да запале прашину или испарења.
3. **Деца и посматрачи не смеју бити у близини док се ради електричним алатом.** Ствари које одвлаче пажњу могу да изазову губитак контроле.

Заштита од струје

4. **Утикачи електричног алата морају бити укључени у одговарајуће утичнице.** Немојте да преправљате утикач. Немојте да користите адаптерске утикаче са уземљеним електричним алатима. Ризик од струјног удара је мањи ако се утикач не преправља и ако се користе одговарајуће утичнице.
5. **Избегавајте контакт са уземљеним површинама, као што су цеви, радијатори, шпорети и фрижидери.** Ако је ваше тело уземљено, повећава се ризик од струјног удара.
6. **Немојте излагати електричне алате киши или влажним условима.** Продирање воде у електрични алат повећава ризик од струјног удара.
7. **Немојте да примењујете силу на кабл.** Немојте никада помоћу кабла да носите, вучете и искључујете електрични алат. Кабл мора бити удаљен од извора топлоте, уља, оштрих ивица или покретних делова. Оштећени или запетљани каблови повећавају ризик од струјног удара.
8. **У случају рада с електричним алатом на отвореном, користите продужни кабл погодан за спољашњу употребу.** Коришћењем одговарајућег продужног кабла за спољашњу употребу смањујете ризик од струјног удара.
9. **Ако сте приморани да радите с електричним алатом на влажним местима, користите извор напајања заштићен уређајем диференцијалне струје (RCD склопка).** Коришћењем уређаја диференцијалне струје смањујете ризик од струјног удара.
10. **Употреба напајања са уређајем диференцијалне струје са називном диференцијалном струјом од 30 mA или мањом се увек препоручује.**

Лична безбедност

11. **Будите опрезни, гледајте у оно што радите и користите здрав разум када радите с електричним алатом.** Немојте да користите електрични алат када сте уморни или под утицајем дроге, алкохола или лекова. Тренутак непажње приликом рада с електричним алатом може да проузрокује тешке телесне повреде.
 12. **Користите личну заштитну опрему.** Увек носите заштиту за очи. Коришћењем заштитне опреме, попут маске против прашине, неклизајуће безбедносне обуће, шлема или заштите за слух у одговарајућим околностима, смањите ризик од телесних повреда.
 13. **Спречите случајно покретање.** Проверите да ли је прекидач у искљученом положају пре него што повежете извор напајања и/или уметнете батерију, подигнете алат или почнете да га носите. Ношење алата када је прст на прекидачу или укључивање напајања електричних алата на којима је прекидач укључен може да проузрокује несреће.
 14. **Уклоните све кључеве за подешавање и француске кључеве пре него што укључите електрични алат.** Француски кључ или кључ који је остављен закачен за ротирајући део електричног алата може да изазове телесне повреде.
 15. **Немојте се нагињати.** Увек морате имати одговарајући ослонац и одржавати равнотежу. То омогућава бољу контролу електричног алата у непредвиђеним ситуацијама.
 16. **Носите одговарајућу одећу.** Немојте да носите широку одећу ни наикт. Држите косу, одећу и рукавице подале од покретних делова. Покретни делови могу да захвате широку одећу, наикт или дугу косу.
 17. **Ако су доступни прикључни уређаји за одвод и прикупљање прашине, уверите се да су они прикључени и да се правилно користе.** Уређаји за прикупљање прашине могу да умање ризик од несреће проузроковане прашином.
- ### Коришћење и одржавање електричног алата
18. **Немојте да користите електрични алат на силу.** За сваку примену користите одговарајући електрични алат. Одговарајући електрични алат ће боље и безбедније обавити посао ако се користи на брзини за коју је пројектован.
 19. **Немојте да користите електрични алат ако прекидач не може да се укључи и искључи.** Сваки електрични алат који не може да се контролише помоћу прекидача је опасан и мора се поправити.
 20. **Извучите утикач из напајања и/или батерију из електричне алатке пре било каквог подешавања, мењања опреме или складиштења електричне алатке.** Овакве превентивне безбедносне мере смањују ризик од случајног укључивања електричног алата.
 21. **Одржите електрични алат који се не користи тако да буде ван домаћаја деце и немојте да дозволите особама које не знају да користе електрични алат или нису упознате са овим упутствима да користе електрични алат.** Електрични алат је опасан када њиме рукују особе које нису обучене за то.

22. **Одржавајте електричне алатке. Проверите да ли долази до непоравности или слепљивања покретних делова, да ли су неки делови поломљени и да ли постоји неки други проблем који може да утиче на рад електричног алата. Ако је електрични алат оштећен, поправите га пре коришћења.** Неправилно одржавани електрични алати представљају узрок великог броја несрећа.
23. **Резна алатка мора бити оштра и чиста.** Постоји мања вероватноћа да ће се искривити резне алатке који се одржавају на правилан начин и који имају оштре ивице листа, а руковање таквим алатом је лакше.
24. **Електрични алат, додатни прибор, бургије итд. користите у складу са овим упутством, узимајући у обзир услове рада и врсту посла који треба обавити.** Коришћење електричног алата у неодогавајуће сврхе може бити опасно.

Сервисирање

25. **Електрични алат треба да сервисира квалификована особа која ће користити само идентичне резервне делове.** То ће омогућити безбедно коришћење електричног алата.
26. **Пратите упутства за подмазивање и замену додатног прибора.**
27. **Дршке одржавајте сувим, чистим и незамашњеним.**

Лична заштитна опрема



1. Носите заштитни шлем, наочари и рукавице како бисте се заштитили од отпадака који лете или предмета који падају.
2. Носите заштиту за уши (нпр. антифоне) да бисте спречили оштећење слуха.
3. Носите одговарајућу одећу и ципеле за безбедан рад, рецимо радни комбинезон и чврсте ципеле које се не клизају. Немојте носити лабаву одећу нити накит. Лабава одећа, накит и дуга коса могу да се заплету у покретне делове.
4. Ако додирујете сечиво, носите заштитне рукавице. Сечива могу да направе озбиљне посекотине на голим шакама.

Безбедност радног простора

1. Користите алатку само у условима добре видљивости и на дневном светлу. Немојте је користити у мраку или по магли.
2. Немојте користити алатку у експлозивним срединама, рецимо у присуству запаљиве течности, гасова или прашине. Алатка прави варнице које могу да запале праšину или испарења.
3. Током коришћења немојте стајати на нестабилним или клизавим површинама нити на стрмим нагибима. Током хладне сезоне пазите на лед и снег и увек пазите да чврсто стајете.
4. Током коришћења пазите да пролазници или животиње буду на најмање 15 метара од алатке. Зауставите алатку чим неко приђе.
5. Пре коришћења прегледајте да ли у радном простору има камења или других чврстих предмета. Алатка може да их одбаци или баца ка вама на опасан начин, што може довести до озбиљне повреде и/или оштећења имовине.
6. **⚠ УПОЗОРЕЊЕ:** Употреба овог производа може да створи праšину која садржи хемикалије, што може довести до респираторних и других болести. У примере тих хемикалија спадају једињења која се налазе у пестицидима, инсектицидима, ђубривима и хербицидима. Степен ризика од излагања овим супстанцама зависи од тога колико често обављате овакве послове. Да бисте умањили излагање овим хемикалијама, радите у добро проветреном простору и користите одобрену безбедносну опрему, рецимо маске за праšину које су посебно намењене филтрирању микроскопских честица.

ВАЖНА БЕЗБЕДНОСНА УПУТСТВА

⚠ УПОЗОРЕЊЕ! Прочитајте сва безбедносна упозорења и сва упутства. Уколико не поштујете упозорења и упутства, може доћи до струјног удара, пожара и/или тешке повреде.

Сачувајте сва упозорења и упутства за будуће потребе.

Намена

1. Тример за траву/резач грмља/тример са струном је намењен само за сечење траве, корења, жбуња и грмља. Не би требало да се користи ни у какве друге сврхе (рецимо обликовање или резивање живе оградe) јер то може да доведе до повреде.

Општа упутства

1. Немојте дозвољавати људима који нису упознати са овим упутствима, људима (укључујући децу) са умањеним физичким, чулним или менталним способностима или људима без искуства и знања да користе алатку. Морате надзирати децу како бисте се постарали да се не играју са алатком.
2. Пре покретања алатке прочитајте ово упутство како бисте се упознали са њеним руковањем.
3. Немојте позајмљивати алатку особама које немају довољно искуства и знања у коришћењу резача грмља и тримера са струном.
4. Ако позајмљујете алатку, обавезно приложите ово упутство за употребу.
5. Будите веома пажљиви када рукујете алатком.
6. Немојте користити алатку након конзумирања алкохола или наркотика или ако сте уморни или болесни.
7. Немојте покушавати да мењате алатку.
8. Пазите да се не повредите алатком постављеном ради скраћивања струне. Када продужујете нову струну за сечење, обавезно пре укључивања вратите уређај у нормалан радни положај.

Безбедно коришћење струје

1. Утикачи алатке морају да одговарају утичницама. Никако немојте мењати утикач. Немојте користити утикаче са адаптерима са уземљеним алаткама. Утикачи који нису мењани и одговарајуће утичнице смањују ризик од струјног удара.
2. Избегавајте додир тела са уземљеним површинама као што су цеви, радијатори, шпорети и фрижидери. Ако је ваше тело уземљено, ризик од струјног удара је повећан.
3. Немојте излагати алатку киши или мокрој средини. Ако вода продре у алатку, ризик од струјног удара ће се повећати.
4. Немојте злоупотребљавати кабл. Немојте носити, вући нити искључивати алатку помоћу кабла. Држите кабл подаље од топлоте, уља, оштрица или покретних делова. Оштећени или замршени каблови повећавају ризик од струјног удара.
5. Немојте користити алатку ако се не укључује и искључује помоћу прекидача. Свака алатка која се не може контролисати помоћу прекидача је опасна и мора се поправити.
6. Када користите алатку у отвореном простору, користите продужни кабл који је намењен употреби на отвореном. Коришћење кабла који је намењен употреби на отвореном смањује ризик од струјног удара.
7. Ако не можете да избегнете коришћење алатке на влажном месту, користите довод струје који је заштићен уређајем диференцијалне струје (residual current device – RCD). Употреба уређаја диференцијалне струје смањује ризик од струјног удара.
8. Препоручујемо вам да увек користите напајање са уређајем диференцијалне струје са називном диференцијалном струјом од 30 mA или мање.
9. Спречите ненамерно покретање. Постарајте се да прекидач буде у искљученом положају пре прикључивања на напајање, подизања или ношења алатке. Ношење електричног алата уз држање прста на прекидачу или прикључивање на напајање алатки чији је прекидач укључен представља призивање несрећа.
10. Пре употребе проверите да ли су кабл за напајање и продужни кабл оштећени или похабани.
11. Ако се кабл оштети током употребе, одмах га одвојте од кабла за напајање. Немојте додиривати кабл пре одвајања кабла за напајање.
12. Немојте користити алатку ако су каблови оштећени или похабани.
13. Држите продужни кабл подаље од делова за сечење.

Пуштање у рад

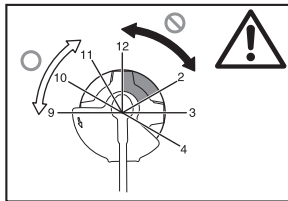
1. Пре склапања или подешавања алатке извучите утикач из напајања.
2. Пре руковања сечивом ставите заштитне рукавице.
3. Пре прикључивања проверите да ли је алатка оштећена, да ли има лабавих завртњева/матича и да ли је неправилно склопљена. Наоштрите сечиво ако је тупо. Ако је сечиво искривљено или општећено, замените га. Проверите да ли све контролне полуге и прекидачи лако раде. Очистите и осушите ручке.

4. Немојте покушавати да укључујете алатку ако је оштећена или није потпуно склопљена. У супротном може доћи до озбиљне повреде.
5. Пре укључивања алатке склоните кључеве и алат за подешавање. Алат или кључ који остане закачен за неки ротирајући део алатке може да доведе до повреде.
6. Подесите каиш за раме и рукохват према величини тела руковаоца.
7. Приликом прикључивања у утичницу, држите додаток за сечење подаље од тела и других предмета, као и земље. Може се десити да се приликом покретања заротира и повреди вас или оштети алатку и/или имовину.

Коришћење

1. Ако дође до хитног случаја, одмах искључите алатку.
2. Ако приметите било какво неуобичајено стање (нпр. буку, вибрације) током коришћења, искључите алатку. Немојте користити алатку док не откријете узрок проблема и отклоните га.
3. Упозорење. Додатак за сечење након искључивања алатке накратко наставља да се ротира. Немојте журити да додирнете додаток за сечење.
4. Током рада користите каиш за раме. Чврсто држите алатку са своје десне стране.
5. Немојте се протезати да дохватите предалеко. Увек стојте чврсто и у равнотежи. Пазите на сакривене препреке попут пањева, корења и јаркова како бисте избегли саплитање и постртање.
6. Немојте радити на мерделинама или дрвету како бисте избегли губитак контроле.
7. Пре коришћења уређаја и после јаког удара или пада проверите стање уређаја пре него што наставите да га користите. Проверите да ли су контроле и безбедносни уређаји поковарени. Ако има оштећења или нисте сигурни, затражите преглед и поправку од нашег овлашћеног сервисног центра.
8. Немојте додиривати преносник. Преносник се може загрејати током употребе.
9. Одмарајте се да због умора не бисте изгубили контролу. Препоручујемо вам да се на сваких сат времена одмарате 10 до 20 минута.
10. Ако остављате алатку, чак и накратко, увек извучите утикач из утичнице. Може се десити да неовлашћене особе употребе остављену алатку која је прикључена на струју и узрокују озбиљну несрећу.
11. Ако се трава или гране заглаве између додатка за сечење и штитника, пре чишћења обавезно искључите алатку и извучите утикач из утичнице. У супротном се може десити да се додаток за сечење случајно заротира и озбиљно повреди некога.
12. Ако додаток за сечење удари у камен или неки други тврди предмет, одмах искључите алатку. Затим извучите утикач из утичнице и прегледајте додаток за сечење.
13. Током употребе често проверавајте да ли на додатку за сечење има пукотина или оштећења. Пре прегледа извучите утикач из утичнице и сачекајте да се додаток за сечење потпуно заустави. Ако је додаток за сечење оштећен, одмах га замените, чак и ако има само површинских пукотина.

14. Немојте сећи изнад висине струка.
 15. Пре него што започнете сечење, сачекајте да додатак за сечење постигне константну брзину након што укључите алатку.
 16. Ако користите метално сечиво, равномерно полукружно замахујте алатком са десне на леву страну, као да користите косу.
 17. Држите алатку искључиво за изоловане површине за хватање, јер се може десити да сечиво дође у додир са сакривеним жицама. Ако сечива дођу у додир са жицом која је под напонам, изложени метални делови алатке такође могу бити под напонам и може доћи до струјног удара руковаоца.
 18. Увек се старајте да на отворима за вентилацију нема отпадака.
3. Да бисте избегли повратни удар:
 - Користите сегмент између 8 и 11 сати.
 - Немојте користити сегмент између 12 сати и 2 сата.
 - Немојте користити сегмент између 11 и 12 сати нити између 2 сата и 5 сати, осим ако је руковалац добро обучен и искусан и то чини на сопствени ризик.
 - Немојте користити сечива у близини тврдих предмета као што су ограде, зидови, пањеви и камење.
 - Немојте користити сечива вертикално за послове попут обликовања и резивања живе ограде.

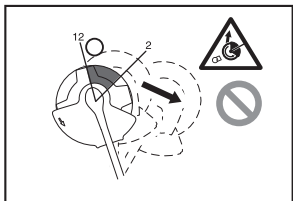


Додаци за сечење

1. Користите додатак за сечење који одговара датом послу.
 - Најлонске резне главе (главе тримера са струном) служе за сечење траве на травњацима.
 - Метална сечива служе за сечење корова, високе траве, грмља, жбуња, шипрајја, честара и сличног.
 - Никада немојте користити друга сечива, укључујући ротационе ланце са више делова и покретна сечива. То може довести до озбиљних повреда.
2. Увек користите штитник додатка за сечење који одговара додатку за сечење који користите.
3. Немојте постављати металне елементе за сечење на моделе за сечење најлоном.
4. Ако користите метална сечива, избегавајте „повратне ударе“ и увек се припремите да до повратних удара случајно дође. Погледајте одељак „Повратни удар“.

Повратни удар (избацивање сечива)

1. Повратни удар (избацивање сечива) је изненадна реакција на заглављивање или везивање сечива. Ако се то догоди, алатка се снажно баца у страну или ка руковаоцу и може да доведе до озбиљне повреде.
2. До повратног удара поготово долази када се сегмент сечива између 12 сати и 2 сата употреби на чврстим предметима, грмљу или дрвећу чији је пречник 3 см или већи.



Вибрације

1. Код људи који имају лошу циркулацију, излагање превеликим вибрацијама може да доведе до повреда крвних судова или нервног система. Вибрације могу да доведу до следећих симптома на прстима, шакама или зглобовима шака: „Успављивање“ (трњење), треперење, бол, осећај бодења, промена боје коже или промене на кожи. Ако искусите било који од ових симптома, посетите лекара!
2. Да бисте смањили ризик од „болести белих прстију“, утоплите руке током рада и добро одржавајте алатку и опрему.

Транспорт

1. Пре транспорта алатке, искључите је и извучите утикач из утичнице. Поставите поклопац на сечиво.
2. Алатку приликом транспорта носите у хоризонталном положају држећи је за осовину.
3. Ако алатку транспортујете возилом, добро је фиксирајте како бисте избегли превртање. У супротном може доћи до оштећења алатке и другог пртљага.

Одржавање

1. Нека алатку сервисира наш овлашћени сервисни центар и то користећи искључиво оригиналне резервне делове. Неправилна поправка и лоше одржавање могу да скрате радни век алатке и да повећају ризик од несрећа.
2. Пре одржавања, поправљања или чистења алатке, обавезно је искључите и извучите утикач из утичнице.
3. Приликом руковања сечивом обавезно носите заштитне рукавице.
4. Увек очистите прашину и прљавштину са алатке. За то немојте користити бензин, нафту, разређивач, алкохол нити сличне супстанце. Може доћи до промене боје, кривљења или пуцања пластичних делова.
5. Након сваке употребе затегните завртњеве и матице.

- Немојте покушавати да одржавате или поправљате алатке на начине који нису описани у упутству за употребу. Такве поступке затражите од нашег овлашћеног сервисног центра.
- Користите искључиво наше оригиналне резервне делове и опрему. Ако се користе делови или опрема других произвођача, може доћи до квара алатке, оштећења имовине и/или озбиљних повреда.
- Редовно затражите преглед и одржавање алатке од нашег овлашћеног сервисног центра.

Складиштење

- Пре складиштена алатке, потпуно је очистите и обавите одржавање. Извиците утикач из утичнице. Поставите поклопац на сечиво.
- Држите алатку на сувом и високом или закључаном месту изван домаћаја деце.
- Немојте наслањати алатку уз нешто, рецимо зид. У супротном може да падне и повреди некога.

Прва помоћ

- Увек држите комплет за прву помоћ у близини. Одмах замените све што узмете из комплета за прву помоћ.
- Ако тражите помоћ, пружите следеће информације:
 - Место несреће
 - Шта се десило
 - Број повређених особа
 - Каква је повреда у питању
 - Ваше име

САЧУВАЈТЕ ОВА УПУТСТВА.

⚠ УПОЗОРЕЊЕ:

НЕМОЈТЕ да дозволите да комфор или познавање производа (стечено током више употреба) замени строго придржавање безбедносних правила за овај производ. **ПОГРЕШНА УПОТРЕБА** или непоштовање безбедносних правила наведених у овом упутству могу да изазову тешку повреду.

ОПИС ДЕЛОВА (Слика. 1)

ОПИС ФУНКЦИЈА

⚠ УПОЗОРЕЊЕ:

- Увек се уверите да је алат искључен и да је његов кабл извучен из утичнице пре подешавања или проверавања функција алата. Уколико не искључите алат и не извадите кабл из утичнице, то може довести до тешких повреда услед случајног покретања.

Коришћење прекидача за укључивање (Слика. 2)

⚠ УПОЗОРЕЊЕ:

- Пре прикључивања, увек проверите да бисте видели да ли се прекидач за активирање покреће правилно и враћа у положај „OFF“ (ИСКЉУЧЕНО) када се пусти. Немојте да повлачите прекидач за активирање снажно без умерена ручице за закључавање. То може да доведе до лома прекидача. Руковање алатом на којем прекидач не ради исправно може довести до губитка контроле и тешке повреде.

У циљу спречавања случајног повлачења прекидача за активирање, постављена је ручица за закључавање. За покретање алата, померите ручицу за закључавање напред и повуците прекидач за активирање. Пустите прекидач за активирање да бисте зауставили мотор.

Глава за сечење најлонском врпцом (Слика. 3)

ПАЖЊА:

- Немојте да покушавате да ударате главу и извлачите врпцу док алат ради на високом обртајима. Ударате главе о тло при високим обртајима може изазвати оштећење главе за сечење најлонском врпцом.
- Ударате главе о тло неће радити исправно ако се глава не окреће.

НАПОМЕНА:

- Стандардна опрема зависи од модела и земље.

Глава за сечење најлонском врпцом је глава за двоструко сечење траве опремљена механизмом „извуци ударцем“.

За извлачење најлонске врпце, притисните главу за сечење о тло док се глава за сечење врти.

НАПОМЕНА:

- Ако се најлонска врпца не извуче након удараца главом о тло, намотајте/замените најлонску врпцу пратећи поступак описан у одељку „Одржавање“.

Држач кабла (Слика. 4)

Направите малу петљу од кабла за напајање и окачите га на држач кабла.

САСТАВЉАЊЕ

⚠ УПОЗОРЕЊЕ:

- Увек се уверите да је алат искључен и да је његов кабл извучен из утичнице пре обављања било каквих радњи на алату. Уколико не искључите алат и не извадите кабл из утичнице, то може довести до тешких повреда услед случајног покретања.
- Никада немојте да покрећете алат осим ако је у потпуности састављен. Руковање алатом који није у потпуности састављен може да доведе до тешких повреда услед случајног покретања.

Постављање дршке (Слика. 5)

⚠ УПОЗОРЕЊЕ:

- Немојте скидати нити смањивати одстојник нити амортизер. Одстојник одржава одређену раздалјину између обе руке. Подешавање дршке/граничника преблизу другој дршци изван дужине одстојника може изазвати губитак контроле и тешку телесну повреду.

Поставите дршку и граничник на гумени део на осовинској цеви. Подесите локацију дршке, затим их затегните користећи четири завртња.

Одобрена комбинација резне алатке и штитника

⚠ УПОЗОРЕЊЕ:

- Алатку обавезно користите уз одобрену комбинацију безбедносне опреме. У супротном може доћи до озбиљне повреде у додиру са резном алатком.
- Немојте користити алатку без постављеног приказаног штитника. Уколико то budete радиле, може доћи до озбиљних повреда.

НАПОМЕНА:

- Стандардна опрема зависи од модела и земље.

За сечиво (Слика. 6)

За најлонску резну главу (Слика. 7)

Постављање штитника за сечиво (Слика. 8)

1. Поравнајте рупе на унутрашњем штитнику и рупе на преноснику.
2. Затим их причврстите помоћу три завртња.

Постављање штитника за најлонску главу

⚠ ОПРЕЗ:

- Пазите да се не повредите на сечак за сечење најлонске струне.
- Обавезно скините штитник секача пре употребе.

1. Поравнајте четири завртња на спољном штитнику са рупама на унутрашњем штитнику. (Слика. 9)
2. Причврстите их помоћу четири завртња.
3. Поравнајте рупе на унутрашњем штитнику и рупе на преноснику.
4. Причврстите их помоћу завртњева. (Слика. 10)

Постављање сечива

⚠ УПОЗОРЕЊЕ:

- Спољни пречник сечива мора бити 230 mm. Немојте користити сечива чији је спољни пречник већи од 230 mm.

⚠ ОПРЕЗ:

- Сечиво мора бити добро углачано и на њему не сме били пукотина нити сломљених делова. Углачајте или замените сечиво на свака три сата коришћења.
- Приликом руковања сечивом обавезно носите рукавице.
- Обавезно поставите поклопац сечива када се алатка не користи или се транспортује.
- Матица која причвршћује сечиво се временом хаба. Ако приметите да се похабала или искривила, замените матицу. Наручите је преко локалног овлашћеног сервисног центра.

ПАЖЊА:

- Обвезно користите оригинална сечива.

Окрените алатку наопако како бисте лако могли да замените сечиво. (Слика. 11)

1. Поставите пријемну подлошку на осовину.
2. Окрећите пријемну подлошку док се зарез на њој не нађе на зарезу на преноснику.
3. Провуците шипку кроз оба зареза тако да пријемна подлошка не може да се окреће.
4. Поставите сечиво на пријемну подлошку.
5. Поставите подлошку за фиксирање на сечиво.
6. Поставите куласти прстен на сечиво.
7. Причврстите их помоћу матице тако што ћете је окретати у смеру супротном од смера казаљке на сату држећи шипку.

Да бисте скинули сечиво, обавите горенаведене кораке обрнутим редоследом.

Постављање главе за сечење најлонском врпцом (Слика. 12)

ПАЖЊА:

- Постарајте се да користите оригиналну главу за сечење најлонском врпцом.

Окрените алатку наопако како бисте лако могли да замените главу за сечење најлонском врпцом.

НАПОМЕНА:

- Уклоните поклопац на секачу врпце пре употребе.

1. Поставите пријемну подлошку на осовину.
2. Окрећите пријемну подлошку док се зарез на њој не нађе на зарезу на преноснику.
3. Провуците шипку кроз оба зареза тако да пријемна подлошка не може да се окреће.
4. Поставите најлонску резну главу тако што ћете је окренути у смеру супротном од смера казаљке на сату.
5. Након постављања најлонске резне главе, изваците шипку.

Да бисте скинули најлонску резну главу, обавите горенаведене кораке обрнутим редоследом.

РУКОВАЊЕ

Исправно руковање алатом (Слика. 13)

Исправан положај

⚠ УПОЗОРЕЊЕ:

- Алат увек поставите на десну страну тако да се граничник увек налази испред вашег тела. Правилно држање алатке пружа највећу контролу и смањује ризик од озбиљне повреде узроковане повратним ударом.

⚠ ОПРЕЗ:

- Ако током коришћења резна алатка случајно удари у камен или неки други тврди предмет, зауставите алатку и погледајте да ли је оштећена. Ако је резна алатка оштећена, одмах је замените. Коришћење оштећене резне алатке може да доведе до озбиљне повреде.

Ставите каиш за раме на лево раме тако што ћете провући главу и десну руку кроз њега и држати алат на десној страни док граничник држите испред себе.

Постављање каиша за раме (Слика. 14)

Подесите дужину каиша тако да резна алатка стоји паралелно са тлом.

Повежите прикључак за каиш и каиш.

⚠ УПОЗОРЕЊЕ:

- Будите изузетно пажљиви да задржите контролу над алатом све време. Немојте да дозволите алату да се окрене ка вама или другој особи у близини радне области. Уколико не задржите контролу над алатом, то може довести до тешке повреде особа у близини и руковаоца.

Подешавање положаја прикључка за каиш и каиша за раме (Слика. 15)

Подесите прикључак за каиш онако како је приказано. (Слика. 16)

За промену положаја прикључка за каиш, олабавите завртња на прикључку. Затим померите прикључак за каиш.

Након подешавања прикључка за каиш, чврсто затегните завртња кључем.

ОДРЖАВАЊЕ

⚠ УПОЗОРЕЊЕ:

- Увек се уверите да је алат искључен и да је његов кабл извучен из утичнице пре него што покушате да обавите преглед или одржавање алата. Уколико не искључите алат и не извадите кабл из утичнице, то може довести до тешких повреда услед случајног покретања.

ПАЖЊА:

- Никада немојте да користите бензин, разређивач, алкохол или слично. Може доћи до губитка боје, деформације или напрслина.

Замена најлонске врпце (Слика. 17)

⚠ УПОЗОРЕЊЕ:

- Постарајте се да глава за сечење најлонском врпцом буде причвршћена за алат пре руковања. Уколико правилно не затегнете главу за сечење најлонском врпцом, може доћи до избацивања главе што може довести до тешке повреде.

- Скините најлонску резну главу.
- Скините поклопац притискајући два испуста који су насупрот један другом у ребрастом делу на боку купастог прстена.

- Извадите калем. И извадите стару најлонску врпцу из калема.
- Исеците најлонску врпцу дужине 3 m до 6 m. Савијте врпцу за сечење на две половине, и оставите једну половину дужу за око 80 mm до 100 mm. (Слика. 18)
- Поставите средину нове најлонске врпце у усек на центру калема између два канала намењена за најлонску врпцу. (Слика. 19)
- Намотајте оба краја чврсто између канала у смеру назначеном стрелицом на калему. (Слика. 20)
- Провуците најлонску струну кроз ушице тако да изађу из купастог прстена.
- Поравнајте избочину са доње стране поклопца са прорезима на ушицама. Затим чврсто гурните поклопац на купати прстен како бисте га причврстили. Уверите се да су се испусти потпуно извукли у поклопцу.

За одржавање БЕЗБЕДНОСТИ и ПОУЗДАНОСТИ производа, поправке, свако друго одржавање и подешавања треба да обаве овлашћени сервисни центри компаније Makita, увек користећи заменске делове компаније Makita.

ИНТЕРВАЛ ОДРЖАВАЊА

Делови:	Интервал:	Како да:
Кабл за напајање	Пре сваке употребе	Прегледајте да ли је у великој мери истрошен или оштећен. Ако је оштећен, затражите поправку од локалног сервисног центра.
Помоћн завртањ помоћне ручке	Пре сваке употребе	Проверите да ли је завртањ лабав. Затегните завртањ ако је лабав. Замените га ако је оштећен.
Штитник резне алатке	Пре сваке употребе	Проверите да ли је завртањ лабав или је штитник оштећен. Затегните завртањ ако је лабав. Замените штитник ако је оштећен.
Сечиво	На сваких 10 сати	Након сваке употребе подмажите уљем против корозије. Проверите да ли је оштећено. Ако је оштећено, замените га.
Глава за сечење најлонском врпцом	На сваких 10 сати	Прегледајте да ли је у великој мери истрошена или оштећена. Ако је оштећена, замените је.
Осовина	На сваких 10 сати	Подмажите уљем против корозије.

РЕШАВАЊЕ ПРОБЛЕМА

Пре него што затражите поправку, прво спроведите сопствени преглед. Ако пронађете проблем који није описан у овом упутству, немојте да покушавате да раставите алат. Уместо тога, то затражите од овлашћеног сервисног центра компаније Makita, увек користећи заменске делове компаније Makita.

Статус квара	Узрок	Радња
Мотор не ради.	Струјни кабл можда није прикључен.	Прикључите напајање.
	Струјни кабл је покварен.	Затражите од локалног сервисног центра поправку.
	Погонски систем не ради исправно.	
Мотор престаје са радом након кратке употребе.	Прегревање.	Прекините са употребом алата и омогућите му да се охлади.
Не достиже максимални број обртаја.	Погонски систем не ради исправно.	Затражите од локалног сервисног центра поправку.
Резна алатка се не ротира: одмах зауставите машину!	Страни предмет (рецимо, грана) је заглављен између штитника и резне алатке.	Уклоните страни предмет.
	Матица за причвршћивање сечива је лабава.	Правилно затегните матицу онако како је описано у овом упутству за употребу.
	Сечиво је искривљено.	Замените сечиво.
	Погонски систем не ради исправно.	Затражите од локалног сервисног центра поправку.
Абнормална вибрација: одмах зауставите машину!	Један крај најлонске врпце је прекинут.	Ударите главу за сечење најлонском врпцом о тло док се ротира да бисте довели до извлачења врпце.
	Сечиво је искривљено, испуцало или похабано.	Замените сечиво.
	Матица за причвршћивање сечива је лабава.	Правилно затегните матицу онако како је описано у овом упутству за употребу.
	Сечиво није правилно причвршћено.	
	Погонски систем не ради исправно.	Затражите од локалног сервисног центра поправку.
Резна алатка и мотор не могу да се зауставе: одмах извуците утикач из утичнице!	Електрични или електронски квар.	Извуците утикач из утичнице и затражите поправку од локалног овлашћеног сервисног центра.

ОПЦИОНИ ДОДАЦИ

⚠ ОПРЕЗ:

- Ови додаци или помоћна опрема су препоручени за употребу са вашим алатом компаније Makita наведеним у овом упутству. Употреба других додатака или помоћне опреме може представљати ризик од повреде. Користите додатну и помоћну опрему само у наведене сврхе.

Ако су вам потребни додатни детаљи у вези са овим додацима, затражите их од локалног сервисног центра компаније Makita.

- Сечиво
- Глава за сечење најлонском врпцом
- Најлонска врпца (врпца за сечење)
- Каиш за раме

НАПОМЕНА:

- Неки предмети из листе могу бити приложени у пакету са алатом као стандардни додаци. Могу се разликовати од државе до државе.

Объяснение общего вида

1 Держатель кабеля	9 Кожух режущего инструмента (предохранитель)	19 Круглый стержень
2 Шнур питания (форма может различаться в зависимости от страны)	10 Режущий инструмент	20 Лезвие
3 Задняя рукоятка	11 Наплечное крепление	21 Зажимная шайба
4 Рычаг разблокировки	12 Упругая прокладка	22 Колпак
5 Спусковой крючок	13 Самая эффективная область резки	23 Гайка
6 Передняя рукоятка	14 Рукоятка	24 Нейлоновая режущая головка
7 Подвеска (точка подвешивания)	15 Резиновая часть	25 Резак лески
8 Ограничитель	16 Внутренний предохранитель	26 Крышка
	17 Внешний предохранитель	27 Подвеска
	18 Крепежная шайба	28 80 – 100 мм
		29 Бобина

ТЕХНИЧЕСКИЕ ХАРАКТЕРИСТИКИ

Модель	UR2300	UR3502
Тип рукоятки	Петельная рукоятка	
Общая длина	1630 мм	
Мощность при непрерывной работе	1000 Вт	
Скорость без нагрузки	5700 мин ⁻¹	5700 мин ⁻¹
Режущий инструмент	Режущее лезвие	Нейлоновая режущая головка
Ширина резки	230 мм	350 мм
Вес нетто	4,7 кг	4,9 кг
Класс безопасности	II/II	

- Вследствие нашей постоянной программы исследования и развития приведенные технические характеристики могут быть изменены без уведомления.
- Технические характеристики могут различаться в зависимости от страны.
- Вес в соответствии с Процедурой ЕРТА 01/2003

Шум	Средний уровень звукового давления		Средний уровень звуковой мощности		Применяемый стандарт
	Режущий инструмент	L_{PA} (дБ (Ср.))	Погрешность К (дБ (Ср.))	L_{WA} (дБ (Ср.))	
Режущее лезвие	80,8	2,5	93,45	1,23	EN 60335-1, EN 50636-2-91, EN ISO 11806
Нейлоновая режущая головка	85,3	2,5	93,84	1,58	

- Используйте средства защиты для органов слуха.

Вибрация	Передний захват		Задний захват		Применяемый стандарт
	Режущий инструмент	a_h (м/с ²)	Погрешность К (м/с ²)	a_h (м/с ²)	
Режущее лезвие	2,856	1,5	2,712	1,5	EN 60335-1, EN 50636-2-91, EN ISO 11806
Нейлоновая режущая головка	2,768	1,5	2,694	1,5	

- Указанная величина вибрации была измерена в соответствии со стандартным методом измерения и может использоваться для сравнения инструментов друг с другом.
- Указанная величина вибрации может также использоваться для предварительной оценки воздействия.

ПРЕДОСТЕРЕЖЕНИЕ:

- Величина вибрации во время реального использования электрического инструмента может отличаться от указанной величины в зависимости от способа использования инструмента.
- Обязательно предусмотрите меры по обеспечению безопасности для защиты оператора, которые основаны на оценке влияния в реальных условиях использования (принимая во внимание все части операционного цикла, например, кроме времени включения также учитывается, как время выключения инструмента, так и время холостого хода).

Символы

Ниже приведены символы, использующиеся для оборудования. Перед использованием убедитесь, что Вы понимаете их значение.



- Будьте особенно аккуратны и внимательны.



- Прочитайте руководство по эксплуатации.



- Опасно; опасность летящих предметов.



- Расстояние между инструментом и окружающими лицами должно быть, по крайней мере, 15 м.



- Не допускайте окружающих лиц.



- Используйте защитную каску, защитные очки и средства защиты слуха.



- Надевайте защитные рукавицы.



- Надевайте крепкую обувь с нескользящей подошвой. Рекомендуется крепкая надежная обувь.



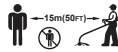
- Не подвергайте воздействию влаги.



- Отсоедините сетевую вилку, если шнур поврежден или запутан.



- Не допускайте отдачи.



- Сохраняйте дистанцию, по крайней мере, в 15 м.



- ДВОЙНАЯ ИЗОЛЯЦИЯ



- Только для стран ЕС
Не утилизируйте электрическое оборудование вместе с бытовым мусором!
Согласно Европейской Директиве об утилизации электрического и электронного оборудования и для ее выполнения в соответствии с государственными законами, электрическое оборудование, срок службы которого истек, должно быть отдельно собрано и возвращено в пункт утилизации вторично используемого сырья с соблюдением требований охраны окружающей среды.

СЕРТИФИКАТ СООТВЕТСТВИЯ ЕС

Только для европейских стран

Сертификат соответствия ЕС внесен как Приложение А к данной инструкции по эксплуатации.

Общие рекомендации по технике безопасности для электроинструментов

⚠ ПРЕДОСТЕРЕЖЕНИЕ Прочитайте все предупреждения относительно безопасности и все инструкции. Несоблюдение предупреждений и инструкций может привести к поражению электрическим током, пожару и/или серьезной травме.

Сохраните брошюру с инструкциями и рекомендациями для дальнейшего использования.

Термин “электроинструмент” в предупреждениях относится ко всему инструменту, работающему от сети (с проводом) или на аккумуляторах (без провода).

Безопасность в месте выполнения работ

1. Рабочее место должно быть чистым и хорошо освещенным. Захламление и плохое освещение могут стать причиной несчастных случаев.
2. Не пользуйтесь электроинструментом во взрывоопасной атмосфере, например в присутствии легко воспламеняющихся жидкостей, газов или пыли. При работе электроинструмента возникают искры, которые могут привести к воспламенению пыли или газов.
3. При работе с электроинструментом не допускайте детей или посторонних к месту выполнения работ. Не отвлекайтесь во время работы, так как это приведет к потере контроля над электроинструментом.

Электробезопасность

4. Вилка электроинструмента должна соответствовать сетевой розетке. Запрещается вносить какие-либо изменения в конструкцию вилки. Для электроинструмента с заземлением запрещается использовать переходники. Розетки и вилки, не подвергавшиеся изменениям, снижают риск поражения электрическим током.
5. Избегайте контакта участков тела с заземленными поверхностями, такими как трубы, радиаторы, батареи отопления и холодильники. При контакте тела с заземленными предметами увеличивается риск поражения электрическим током.
6. Не подвергайте электроинструмент воздействию дождя или влаги. Попадание воды в электроинструмент повышает риск поражения электрическим током.
7. Аккуратно обращайтесь со шнуром питания. Запрещается использовать шнур питания для переноски, перемещения или извлечения вилки из розетки. Располагайте шнур на расстоянии от источников тепла, масла, острых краев и движущихся деталей. Поврежденные или запутанные сетевые шнуры увеличивают риск поражения электрическим током.
8. При использовании электроинструмента вне помещения используйте удлинитель, подходящий для этих целей. Использование соответствующего шнура снижает риск поражения электрическим током.

9. Если электроинструмент приходится эксплуатировать в сыром месте, используйте линию электропитания, которая защищена устройством, срабатывающим от остаточного тока (RCD). Использование RCD снижает риск поражения электротоком.
10. Рекомендуется использовать линию электропитания через RCD с номинальным остаточным током 30 мА или меньше.

Личная безопасность

11. При использовании электроинструмента будьте бдительны, следите за тем, что вы делаете, и руководствуйтесь здравым смыслом. Не пользуйтесь электроинструментом, если вы устали, находитесь под воздействием наркотиков, алкоголя или лекарственных препаратов. Даже мгновенная невнимательность при использовании электроинструмента может привести к серьезной травме.
12. Используйте индивидуальные средства защиты. Всегда надевайте защитные очки. Такие средства индивидуальной защиты, как маска от пыли, защитная нескользящая обувь, каска или наушники, используемые в соответствующих условиях, позволяют снизить риск получения травмы.
13. Не допускайте случайного запуска. Прежде чем подсоединить инструмент к источнику питания и/или аккумуляторной батарее, поднимать или переносить инструмент, убедитесь, что переключатель находится в выключенном положении. Переноска электроинструмента с пальцем на выключателе или подача питания на инструмент с включенным выключателем может привести к несчастному случаю.
14. Перед включением электроинструмента снимите с него все регулировочные инструменты и гаечные ключи. Гаечный или регулировочный ключ, оставшийся закрепленным на вращающейся детали, может привести к травме.
15. При эксплуатации устройства не тянитесь. Всегда сохраняйте устойчивое положение и равновесие. Это позволит лучше управлять электроинструментом в непредвиденных ситуациях.
16. Одевайтесь соответствующим образом. Не надевайте свободную одежду или украшения. Ваши волосы, одежда и перчатки должны всегда находиться на расстоянии от движущихся деталей. Свободная одежда, украшения или длинные волосы могут попасть в движущиеся детали устройства.
17. Если электроинструмент оборудован системой удаления и сбора пыли, убедитесь, что она подключена и используется соответствующим образом. Использование пылесборника снижает вероятность возникновения рисков, связанных с пылью.

Эксплуатация и обслуживание электроинструмента

18. **Не прилагайте излишних усилий к электроинструменту. Используйте инструмент, соответствующий выполняемой вами работе.** Правильно подобранный электроинструмент позволит выполнить работу лучше и безопаснее с производительностью, на которую он рассчитан.
19. **Не пользуйтесь электроинструментом с неисправным выключателем.** Любой электроинструмент с неисправным выключателем опасен и должен быть отремонтирован.
20. **Перед выполнением регулировок, сменой принадлежностей или хранением электроинструмента всегда отключайте его от источника питания и/или снимайте аккумулятор с электроинструмента.** Такие превентивные меры предосторожности снижают риск случайного включения электроинструмента.
21. **Храните электроинструменты в местах, недоступных для детей, и не позволяйте лицам, не знакомым с работой такого инструмента или не прочитавшим данные инструкции, пользоваться им.** Электроинструмент опасен в руках неопытных пользователей.
22. **Поддерживайте электроинструменты в надлежащем состоянии. Убедитесь в соосности, отсутствии деформаций движущихся узлов, поломок каких-либо деталей или других дефектов, которые могут повлиять на работу электроинструмента. Если инструмент поврежден, отремонтируйте его перед использованием.** Большое число несчастных случаев происходит из-за плохого ухода за электроинструментом.
23. **Режущий инструмент всегда должен быть острым и чистым.** Соответствующее обращение с режущим инструментом, имеющим острые режущие кромки, делает его менее подверженным деформациям, что позволяет лучше управлять им.
24. **Используйте электроинструмент, принадлежности, приспособления и насадки в соответствии с данными инструкциями и в целях, для которых он предназначен, учитывая при этом условия и вид выполняемой работы.** Использование электроинструмента не по назначению может привести к возникновению опасной ситуации.

Сервисное обслуживание

25. **Сервисное обслуживание электроинструмента должно проводиться только квалифицированным специалистом по ремонту и только с использованием идентичных запасных частей.** Это позволит обеспечить безопасность электроинструмента.
26. **Следуйте инструкциям по смазке и замене принадлежностей.**
27. **Сохраняйте рукоятки сухими, чистыми и свободными от масла и смазки.**

ВАЖНЫЕ ПРАВИЛА ТЕХНИКИ БЕЗОПАСНОСТИ

⚠ ПРЕДОСТЕРЕЖЕНИЕ! Прочитайте все предупреждения относительно безопасности и все инструкции. Несоблюдение предупреждений и инструкций может привести к поражению электрическим током, пожару и/или серьезной травме.

Сохраните брошюру с инструкциями и рекомендациями для дальнейшего использования.

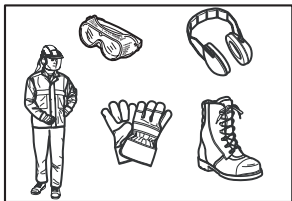
Предполагаемое использование

1. Газонная коса/кусторез/триммер предназначены только для подстригания травы, сорняков, кустарников, подлесков. Не следует использовать его ни для каких других целей, таких, например, как подстригание бордюров или живых изгородей, так как это может привести к травме.

Общие указания

1. Ни в коем случае не позволяйте пользоваться инструментом детям, лицам с ограниченными физическими, чувственными или психическими способностями, а также неопытным лицам или лицам, незнакомым с этими инструкциями. Необходимо следить за детьми, чтобы не допустить игр с инструментом.
2. Перед запуском инструмента внимательно прочитайте эту инструкцию по эксплуатации для ознакомления с обращением с инструментом.
3. Не давайте пользоваться инструментом лицам, не имеющим достаточно опыта или информации, касающихся обращения с кусторезом и триммером.
4. При передаче инструмента обязательно прикрепите данную инструкцию по эксплуатации.
5. Обращайтесь с инструментом с большой осторожностью и вниманием.
6. Никогда не используйте инструмент после употребления алкоголя или лекарственных препаратов, а также если Вы чувствуете усталость или недомогание.
7. Ни в коем случае не пытайтесь модифицировать инструмент.
8. Будьте осторожны, чтобы не получить травму от устройства, предназначенного для обрезки длины режущего волокна. После расширения новой линии резки обязательно верните инструмент в нормальное рабочее положение перед его включением.
9. Выполняйте требования, касающиеся обращения с кусторезами и триммерами, применяемые в Вашей стране.

Средства индивидуальной защиты



1. Используйте защитный шлем, защитные очки и защитные перчатки для защиты от летящих обрезков или падающих предметов.
2. Используйте средства защиты для органов слуха, например, наушники, для предотвращения потери слуха.
3. Надевайте подходящую одежду и обувь для безопасной работы, например, рабочий комбинезон и прочную нескользящую обувь. Не надевайте свободную одежду и украшения. Свободная одежда, украшения или длинные волосы могут попасть в движущиеся части.
4. Дотрагивайтесь до режущего лезвия, только надев защитные перчатки. Режущие лезвия могут серьезно повредить незащищенные руки.

Правила безопасности для рабочей зоны

1. Работайте с инструментом только при хорошей видимости и только при дневном свете. Не работайте с инструментом в темноте или в тумане.
2. Не работайте с инструментом во взрывоопасной атмосфере, например, в присутствии огнеопасных жидкостей, газов или пыли. Инструмент создает искры, которые могут привести к воспламенению пыли или паров.
3. Во время работы никогда не стойте на неустойчивой или скользкой поверхности, а также на ступенчатых уклонах. В холодное время года избегайте оледеневших или снежных мест и всегда обеспечивайте устойчивое положение.
4. Во время работы убедитесь, что прохожие или животные находятся на расстоянии по крайней мере 15 м от инструмента. Немедленно остановите инструмент, если к Вам кто-то приближается.
5. Перед работой проверьте, нет ли в рабочей зоне камней или других твердых предметов. Они могут отскочить или вызвать опасную отдачу, что приведет к серьезным травмам и/или материальному ущербу.
6. **⚠ ПРЕДОСТЕРЕЖЕНИЕ:** При использовании этого изделия может создаваться пыль, содержащая химические вещества, которые могут вызвать проблемы с дыхательной системой или другие заболевания. Примерами таких химических веществ могут быть, например, пестициды, инсектициды, удобрения и гербициды. Ваш личный риск от таких воздействий различается в зависимости от того, как часто Вы выполняете работу такого типа. Для уменьшения вредного воздействия таких химических веществ: работайте в хорошо вентилируемых помещениях, кроме того работайте с предназначенным оборудованием, обеспечивающим безопасность работ, таким как пылезащитные маски, специально разработанные для фильтрации микроскопических частиц.

Правила электробезопасности

1. **Штепсельные вилки электрического инструмента должны соответствовать розетке. Ни в коем случае не модифицируйте штепсельную вилку. Не используйте никакие штепселя-переходники с заземленными (замкнутыми на землю) электрическими инструментами.** Немодифицированные штепсельные вилки и соответствующие розетки уменьшают опасность поражения электрическим током.
2. **Избегайте контакта тела с замкнутыми на землю или заземленными поверхностями, например, трубами, радиаторами, кухонными плитами и холодильниками.** Опасность поражения электрическим током возрастает, если Ваше тело замкнуто на землю или заземлено.
3. Не подвергайте инструмент воздействию дождя или влаги. Попадание воды в инструмент увеличит опасность поражения электрическим током.
4. **Не нарушайте правила эксплуатации шнура. Никогда не используйте шнур для переноски электрического инструмента, подтягивания или отсоединения его от сети. Держите шнур подальше от тепла, масла, острых углов или движущихся частей.** Поврежденные или запутанные шнуры увеличивают опасность поражения электрическим током.
5. Не используйте инструмент, если переключатель не включает или не выключает его. Любой инструмент, который не может управляться с помощью переключателя, является опасным и должен быть отремонтирован.
6. **При эксплуатации электрического инструмента на улице используйте удлинительный шнур, подходящий для наружного использования.** Использование шнура, подходящего для наружного использования, уменьшает опасность поражения электрическим током.
7. **Если необходимо использовать электрический инструмент во влажном месте, используйте линию электропитания, защищенную устройством защиты по дифференциальному току (RCD).** Использование линии электропитания, защищенной устройством защиты по дифференциальному току (RCD), уменьшает риск поражения электрическим током.
8. **Рекомендуется постоянное использование линии электропитания через RCD с номинальным остаточным током не более 30 мА.**
9. Не допускайте случайного запуска инструмента. Убедитесь в том, что переключатель находится в выключенном положении перед подсоединением к источнику электропитания, поднятием или переноской инструмента. Переноска электрических инструментов с пальцем, расположенном на переключателе, или подсоединение к сети электрических инструментов, у которых переключатель находится во включенном положении, являются причиной несчастных случаев.

10. Перед использованием проверьте источник питания и удлинительный шнур на наличие следов повреждения и износа.
11. Если шнур повредится во время использования, немедленно отсоедините шнур от источника питания. **Не прикасайтесь к шнуру до отсоединения от источника питания.**
12. Не используйте инструмент, если шнуры повреждены или изношены.
13. Держите удлинительный шнур на расстоянии от режущих элементов.
7. Перед использованием устройства или после сильного удара или падения, проверьте его состояние перед тем, как продолжить работу. Проверьте, правильно ли работают органы управления и защитные приспособления. При наличии повреждений или сомнений обратитесь в уполномоченный центр по техническому обслуживанию для проведения проверки и ремонта.
8. Не дотрагивайтесь до коробки передач. Во время работы коробка передач нагревается.
9. Отдыхайте для предотвращения потери контроля, вызванного усталостью. Рекомендуется делать паузу от 10 до 20 минут каждый час.

Подготовка к работе

1. Перед сборкой или регулировкой инструмента отсоедините штепсельную вилку от источника питания.
2. Перед обращением с режущим лезвием наденьте защитные перчатки.
3. Перед подключением к источнику питания проверьте инструмент на наличие повреждений, раскрученных винтов/гаек, а также неправильной сборки. Заточите затупившееся режущее лезвие. Если режущее лезвие погнулось или повреждено, замените его. Убедитесь в удобстве работы всех рычагов и переключателей. Очистите и высушите рукоятку.
4. Никогда не пытайтесь включить инструмент, если он поврежден или не полностью собран. Иначе это может привести к серьезным травмам.
5. Перед тем, как включать электрический инструмент, удалите все регулировочные приспособления или гаечные ключи. Гаечный ключ или ключ, оставленные прикрепленными к вращающимся частям электрического инструмента, могут привести к травме.
6. Отрегулируйте наплечное крепление и захват рукой так, чтобы они соответствовали размерам тела оператора.
7. При подключении к источнику питания держите режущее приспособление на расстоянии от Вашего тела и других предметов, включая землю. При запуске оно может начать вращаться, что может вызвать травмы или повреждения инструмента и/или привести к материальному ущербу.
10. Если Вы оставляете инструмент без присмотра, даже на короткое время, обязательно отсоединяйте штепсельную вилку. Оставленным без присмотра инструментом, подсоединенным к источнику питания, могут воспользоваться посторонние люди, что приведет к серьезным проблемам.
11. Если трава или ветки застряли между режущим приспособлением и защитным кожухом, перед очисткой обязательно выключите инструмент и отсоедините его от источника питания. В противном случае режущее приспособление может неожиданно начать вращаться, что приведет к серьезным травмам.
12. Если режущее приспособление ударится о камни или другие твердые предметы, немедленно выключите инструмент. Затем отсоедините штепсельную вилку и проверьте режущее приспособление.
13. Во время работы часто проверяйте режущее приспособление на наличие трещин или повреждений. Перед проверкой отсоедините штепсельную вилку и подождите, пока режущее приспособление полностью не остановится. Немедленно заменяйте поврежденное режущее приспособление, даже если на нем имеются лишь поверхностные трещины.
14. Никогда не выполняйте резку выше уровня пояса.
15. Перед началом операции резки подождите, пока режущее приспособление не достигнет полной скорости после включения инструмента.

Эксплуатация

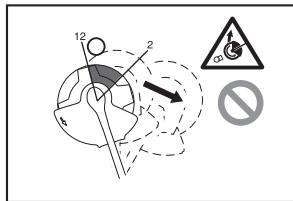
1. В случае чрезвычайной ситуации немедленно выключайте инструмент.
2. Если Вы заметите во время работы любое необычное состояние (например, шум, вибрацию), выключите инструмент. Не пользуйтесь инструментом, пока не будет выявлена и устранена причина такого явления.
3. Предостережение. Режущее приспособление продолжает вращаться еще некоторое время после выключения инструмента. Не торопитесь дотрагиваться до режущего приспособления.
4. Во время работы используйте наплечное крепление. Надежно закрепите инструмент на правой части своего тела.
5. Не перенапрягайтесь. Постоянно сохраняйте надлежащую устойчивость и равновесие. Обращайте внимание на скрытые препятствия, например, пни, корни деревьев и канавы, чтобы не споткнуться о них.
6. Никогда не работайте на лестнице или дереве, чтобы не допустить потери контроля.
16. При использовании металлических лезвий равномерно качайте инструмент по полукругу справа налево, также как и при использовании обычной косы.
17. Держите электрический инструмент только за изолированные поверхности для захвата, так как режущее лезвие может соприкоснуться со скрытой проводкой. Соприкосновение режущих лезвий с проводом "под напряжением" может привести к тому, что металлические части инструмента также окажутся "под напряжением", что может привести к поражению оператора электрическим током.
18. Обязательно убедитесь в том, что в вентиляционных отверстиях нет обрезков.

Режущие приспособления

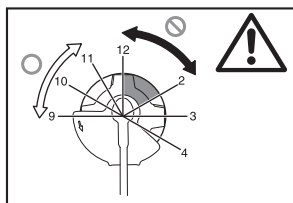
- Используйте режущие приспособления, подходящие для работы.
 - Нейлоновые режущие головки (струнные режущие головки) подходят для стрижки газонной травы.
 - Металлические лезвия подходят для резки сорняков, высокой травы, кустов, веток, подлесков, зарослей и т.п.
 - Ни в коем случае не используйте другие лезвия, в том числе металлические составные поворотные цепи и цепные лезвия. Это может привести к серьезным травмам.
- Всегда пользуйтесь кожухом защитного приспособления, правильно подходящим для используемого режущего приспособления.
- Никогда не устанавливайте металлические режущие элементы в модели с нейлоновыми резаками.
- При использовании металлических лезвий не допускайте "отдачи", а также всегда будьте готовы к неожиданной отдаче. См. раздел "Отдача".

Отдача (Упор лезвия)

- Отдача (Упор лезвия) представляет собой внезапную реакцию на захват или сгибание лезвия. Если это происходит, инструмент ведет в сторону или в направлении оператор с большой силой, что может вызвать серьезные травмы.
- Особенно часто отдача происходит, когда лезвие приложено в сегменте между 12 и 2 часами к твердым предметам, кустам и деревьям диаметром от 3 см и больше.



- Для предотвращения отдачи:
 - Работайте в сегменте между 8 и 11 часами.
 - Никогда не работайте в сегменте между 12 и 2 часами.
 - Никогда не работайте в сегментах между 11 и 12 часами и между 2 и 5 часами, за исключением случаев, когда оператор хорошо подготовлен и имеет большой опыт и делает это под свою ответственность.
 - Никогда не используйте режущие лезвия рядом с твердыми предметами, такими как заборы, стены, пни от деревьев и камни.
 - Никогда не используйте режущие лезвия вертикально для таких операций, как подстригание углов и обрезка изгородей.



Вибрация

- Люди с недостаточным кровообращением, кто подвержен чрезмерной вибрации, могут причинить ущерб кровеносным сосудам или нервной системе. Вибрация может быть причиной следующих симптомов, которые наблюдаются с Вашими пальцами, руками или запястьями: "Онемение" (нечувствительность), покалывание, боль, колющая боль, изменение цвета кожи или изменение кожи. Если наблюдается любой из этих признаков, обратитесь к врачу!
- Для уменьшения опасности возникновения "синдрома белых пальцев" во время работы держите руки в тепле и правильно выполняйте обслуживание оборудования и принадлежностей.

Транспортировка

- Перед транспортировкой инструмента выключите его и отсоедините штепсельную вилку. Прикрепите крышку к режущему лезвию.
- При транспортировке инструмента держите его в горизонтальном положении, удерживая за вал.
- При перевозке инструмента на автомобиле надежно закрепите его во избежание переворачивания. В противном случае возможно повреждение инструмента и другого багажа.

Техническое обслуживание

- Устройство должно обслуживаться в уполномоченном центре по техническому обслуживанию, используя только оригинальные запасные части. Неправильный ремонт и плохое техническое обслуживание могут сократить срок службы устройства и увеличить опасность несчастных случаев.
- Перед выполнением любых видов технического обслуживания или ремонта, а также перед чисткой инструмента, обязательно выключите его и отсоедините штепсельную вилку.
- При обращении с режущим лезвием обязательно надевайте защитные перчатки.
- Обязательно очищайте пыль и грязь с инструмента. Ни в коем случае не используйте для этой цели газалин, бензин, растворители, спирт и подобные вещества. Это может привести к обесцвечиванию, деформации или трещинам пластиковых частей.
- После каждого использования закручивайте все винты и гайки.
- Не пытайтесь выполнять никакие виды технического обслуживания или ремонта, не описанные в инструкции по эксплуатации. Для таких работ обратитесь в уполномоченные центр по техническому обслуживанию.
- Всегда используйте только оригинальные запасные части и приспособления. Использование частей и приспособлений, поставляемых третьей стороной, может привести к поломке инструмента, повреждению собственности и/или серьезным травмам.
- Регулярно обращайтесь в наши авторизованные центры технического обслуживания для проверки и технического обслуживания инструмента.

Хранение

1. Перед тем как убрать инструмент на хранение выполните полную очистку и техническое обслуживание. Отсоедините штепсельную вилку. Прикрепите крышку к режущему лезвию.
2. Храните инструмент в сухом высоко расположенном или запирающемся месте вне доступа детей.
3. Не упирайте инструмент ни обо что, например, о стену. В противном случае он может внезапно упасть и причинить травму.

Первая помощь

1. Всегда имейте поблизости аптечку для оказания первой помощи. Сразу же заменяйте предметы, использованные из аптечки первой помощи.
2. При обращении за медицинской помощью предоставляйте следующую информацию:
 - Место несчастного случая
 - Что произошло
 - Количество пострадавших
 - Вид травмы
 - Ваше имя

СОХРАНИТЕ ЭТУ ИНСТРУКЦИЮ.

⚠ ПРЕДОСТЕРЕЖЕНИЕ:

НЕ позволяйте удобству или близкому знакомству с изделием (полученным в результате частого использования) заменить строгое соблюдение правил безопасности для указанного изделия. **НЕПРАВИЛЬНОЕ ИСПОЛЬЗОВАНИЕ** или несоблюдение правил безопасности, изложенных в этой инструкции по эксплуатации, может привести к серьезной травме.

ОПИСАНИЕ ЧАСТЕЙ (Рис. 1)

ОПИСАНИЕ ФУНКЦИОНИРОВАНИЯ

⚠ ПРЕДОСТЕРЕЖЕНИЕ:

• Следует всегда быть уверенным, что инструмент выключен и отсоединен от сети перед настройкой или проверкой функционирования инструмента. Если его не выключить и не отсоединить от сети, это может привести к серьезной травме из-за случайного запуска.

Операция включения питания (Рис. 2)

⚠ ПРЕДОСТЕРЕЖЕНИЕ:

• Перед подсоединением к сети всегда выполняйте проверку, чтобы увидеть, что спусковой крючок действует правильно и возвращается в положение "OFF" (выкл.) после высвобождения. Не тяните сильно спусковой крючок без сдвига рычага разблокировки. Это может привести к поломке переключателя. Работа с инструментом, когда переключатель функционирует ненадлежащим образом, может привести к потере контроля и серьезной травме.

Для предотвращения случайного нажатия спускового крючка предусмотрен рычаг разблокировки.

Чтобы запустить инструмент, сдвиньте рычаг разблокировки вперед, а затем потяните спусковой крючок. Для остановки высвободите спусковой крючок.

Нейлоновая режущая головка (Рис. 3)

ЗАМЕЧАНИЕ:

- Не пытайтесь ударом выполнять подачу головки, пока инструмент работает с на высоких оборотах. Подача ударом при высоких оборотах может привести к повреждению нейлоновой режущей головки.
- Подача ударом будет работать ненадлежащим образом, если головка не вращается.

ПРИМЕЧАНИЕ:

- Стандартные дополнительные принадлежности различаются в зависимости от модели и страны.

Нейлоновая режущая головка представляет собой двойную головку для обрезания травы с механизмом удара и подачи.

Чтобы подавать нейлоновую леску, ударьте режущей головкой о землю, пока режущая головка вращается.

ПРИМЕЧАНИЕ:

- Если нейлоновая леска не подается при ударе головкой, перемотайте/замените нейлоновую леску в соответствии с процедурами, описанными в разделе "Техническое обслуживание".

Держатель кабеля (Рис. 4)

Сделайте небольшую петлю из кабеля питания и подвесьте его на держатель кабеля.

СБОРКА

⚠ ПРЕДОСТЕРЕЖЕНИЕ:

- Следует всегда быть уверенным, что инструмент выключен и отсоединен от сети перед выполнением любых работ с инструментом. Если его не выключить и не отсоединить от сети, это может привести к серьезной травме из-за случайного запуска.
- Никогда не запускайте инструмент, если он не полностью собран. Работа инструмента в частично собранном состоянии может привести к серьезной травме из-за случайного запуска.

Установка рукоятки (Рис. 5)

⚠ ПРЕДОСТЕРЕЖЕНИЕ:

- Не извлекайте и не уменьшайте распорку или упругую прокладку. Распорка поддерживает определенное расстояние между обеими руками. Установка узла захвата/ограничителя рядом с другим захватом за длиной распорки может привести к потере контроля и серьезной травме.

Установите рукоятку и ограничитель на резиновую часть на трубе вала. Отрегулируйте положение рукоятки, а затем закрепите ее четырьмя болтами.

Утвержденная комбинация режущего инструмента и предохранителя

⚠ ПРЕДОСТЕРЕЖЕНИЕ:

- Всегда используйте инструмент с утвержденной комбинацией защитных приспособлений. В противном случае контакт с режущим инструментом может привести к серьезным травмам.
- Ни в коем случае не используйте инструмент без установленного кожуха, показанного на рисунке. Несоблюдение этого требования может также привести к серьезным травмам.

ПРИМЕЧАНИЕ:

- Стандартные приспособления различаются в зависимости от модели и страны.

Для режущего лезвия (Рис. 6)

Для нейлоновой режущей головки (Рис. 7)

Установка предохранителя для режущего лезвия (Рис. 8)

1. Совместите отверстия на внутреннем предохранителе с отверстиями коробки передач.
2. Затем затяните их с помощью трех болтов.

Установка предохранителя для нейлоновой головки

⚠ ПРЕДУПРЕЖДЕНИЕ:

- Будьте внимательны, чтобы не пораниться о резак для резки нейлонового шнура.
- Перед использованием не забудьте снять предохранитель резака.

1. Совместите четыре болта на внешнем предохранителе с отверстиями на внутреннем предохранителе. (Рис. 9)
2. Затяните их с помощью четырех болтов.
3. Совместите отверстия на внутреннем предохранителе с отверстиями коробки передач.
4. Затяните их с помощью болтов. (Рис. 10)

Установка режущего лезвия

⚠ ПРЕДОСТЕРЕЖЕНИЕ:

- Внешний диаметр режущего лезвия должен составлять 230 мм. Ни в коем случае не используйте лезвия, наружный диаметр которых превышает 230 мм.

⚠ ПРЕДУПРЕЖДЕНИЕ:

- Режущее лезвие должно быть хорошо отшлифовано, не иметь трещин или повреждений. Шлифуйте или заменяйте режущее лезвие после каждых трех часов работы.
- При обращении с режущим лезвием обязательно надевайте защитные перчатки.
- Обязательно прикрепите крышку лезвия, когда инструмент не используется или будет транспортироваться.
- Крепежная гайка режущего лезвия изнашивается с течением времени. Если на гайке заметны следы износа или деформации, замените ее. Обратитесь в Ваш местный уполномоченный центр технического обслуживания, чтобы заказать ее.

ЗАМЕЧАНИЕ:

- Обязательно используйте оригинальное режущее лезвие.

Перевернув инструмент нижней частью вверх, Вы сможете легко заменить режущее лезвие. (Рис. 11)

1. Установите крепежную шайбу на ось.
2. Поворачивайте крепежную шайбу до тех пор, пока паз на крепежной шайбе не попадет на паз коробки передач.
3. Вставьте круглый стержень через оба паза, так чтобы крепежная шайба не могла поворачиваться.
4. Поместите лезвие на крепежную шайбу.
5. Поместите зажимную шайбу на лезвие.
6. Поместите колпак на лезвие.
7. Затяните из с помощью гайки, поворачивая ее против часовой стрелки, удерживая при этом круглый стержень.

Чтобы удалить лезвие, выполните приведенные выше действия в обратном порядке.

Установка нейлоновой режущей головки (Рис. 12)

ЗАМЕЧАНИЕ:

- Обязательно используйте оригинальную нейлоновую режущую головку.

Перевернув инструмент нижней частью вверх, Вы сможете легко заменить нейлоновую режущую головку.

ПРИМЕЧАНИЕ:

- Удалите крышку на резаке лески перед использованием.

1. Установите крепежную шайбу на ось.
2. Поворачивайте крепежную шайбу до тех пор, пока паз на крепежной шайбе не попадет на паз коробки передач.
3. Вставьте круглый стержень через оба паза, так чтобы крепежная шайба не могла поворачиваться.
4. Установите нейлоновую режущую головку, поворачивая ее против часовой стрелки.
5. Удалите круглый стержень после установки нейлоновой режущей головки.

Чтобы удалить нейлоновую режущую головку, выполните указанные выше действия в обратном порядке.

ЭКСПЛУАТАЦИЯ

Правильное обращение с инструментом (Рис. 13)

Правильное положение

⚠ ПРЕДОСТЕРЕЖЕНИЕ:

- Обязательно располагайте инструмент со стороны Вашей правой руки, чтобы ограничитель всегда был перед телом. Правильное расположение инструмента обеспечивает максимальный контроль и уменьшает опасность серьезных травм при отдаче.

⚠ ПРЕДУПРЕЖДЕНИЕ:

- Если во время работы режущий инструмент неожиданно ударится о каменный или твердый предмет, остановите инструмент и проверьте на наличие повреждений. Если режущий инструмент поврежден, немедленно замените его. Использование поврежденного режущего инструмента может привести к серьезной травме.

Поместите наплечное крепление на левое плечо, продев голову и правую руку сквозь него, и держите инструмент с правой стороны, обязательно с ограничителем перед телом.

Прикрепление наплечного крепления (Рис. 14)

Отрегулируйте длину крепления, чтобы режущий инструмент располагался параллельно земле.

Прикрепите подвеску и крепление.

⚠ ПРЕДОСТЕРЕЖЕНИЕ:

- Будьте особенно внимательны, чтобы обеспечивать постоянный контроль над инструментом. Не позволяйте инструменту отклоняться в Вашу сторону или в сторону других людей в рабочей зоне. Отсутствие постоянного контроля над инструментом может привести к серьезным травмам окружающих людей и оператора.

Регулировка положения подвески и наплечного крепления (Рис. 15)

Отрегулируйте положение подвески, как показано на рисунке. (Рис. 16)

Чтобы изменить положение подвески, открутите болт на подвеске. Затем перемещайте подвеску. После регулировки положения подвески надежно затяните болт с помощью гаечного ключа.

ТЕХНИЧЕСКОЕ ОБСЛУЖИВАНИЕ

ПРЕДОСТЕРЕЖЕНИЕ:

- Следует всегда быть уверенным, что инструмент выключен и отсоединен от сети перед выполнением проверки или технического обслуживания инструмента. Если его не выключить и не отсоединить от сети, это может привести к серьезной травме из-за случайного запуска.

ЗАМЕЧАНИЕ:

- Ни в коем случае не используйте бензин, бензолин, растворители, спирт и подобные вещества. Это может привести к обесцвечиванию, деформации или появлению трещин.

Замена нейлоновой лески (Рис. 17)

ПРЕДОСТЕРЕЖЕНИЕ:

- Перед работой убедитесь, что нейлоновая режущая головка надлежащим образом прикреплена к инструменту. Ненадлежащее прикрепление нейлоновой режущей головки может привести к тому, что она отлетит, вызывая серьезные травмы.

1. Удалите нейлоновую режущую головку.
2. Снимите крышку, нажав две защелки, которые находятся напротив друг друга в прорезях на боковой части колпака.
3. Удалите бобину. Затем удалите старый нейлоновый шнур из бобины.
4. Нарежьте нейлоновую леску на куски по 3 – 6 м. Сверните разрезанную леску на две половины, оставляя одну половину на 80 – 100 мм длиннее другой. (Рис. 18)
5. Прикрепите середину нового нейлоновой лески к зубцу, расположенную в центре бобины между двумя каналами, предназначенными для нейлоновой лески. (Рис. 19)
6. Надежно проложите оба конца вдоль канала в направлении, указанном меткой со стрелкой на бобине. (Рис. 20)
7. Пропустите нейлоновый шнур через ушки, чтобы он вышел из колпака.
8. Совместите выступы на нижней стороне крышки с прорезями на ушках. Затем сильно вдавите крышку в колпак, чтобы закрепить ее. Убедитесь, что защелки полностью вошли в крышку.

Для БЕЗОПАСНОЙ и НАДЕЖНОЙ эксплуатации изделия ремонт, любое другое обслуживание или регулировка должны проводиться в уполномоченных центрах по техобслуживанию Makita, всегда используя запасные части Makita.

ИНТЕРВАЛЫ ТЕХНИЧЕСКОГО ОБСЛУЖИВАНИЯ

Части:	Интервал:	Способ:
Шнур питания	Каждый раз перед использованием	Визуально проверьте, нет ли сильного износа или повреждений. Если он поврежден, обратитесь в местный центр по техобслуживанию для выполнения ремонта.
Винт вспомогательной рукоятки	Каждый раз перед использованием	Проверьте, не раскручен ли винт. Закрутите винт, если он раскручен. Замените винт, если он поврежден.
Защитный кожух режущего инструмента (защитное приспособление)	Каждый раз перед использованием	Проверьте, не раскручен ли винт, не повреждено ли защитное приспособление. Закрутите винт, если он раскручен. Замените защитное приспособление, если оно повреждено.
Режущее лезвие	Каждые 10 ч	Смазывайте антикоррозийным маслом после каждого использования. Проверьте, не повреждено ли оно. Замените его в случае повреждения.
Нейлоновая режущая головка	Каждые 10 ч	Визуально проверьте, нет ли сильного износа или повреждений. Если она повреждена, сразу замените ее.
Передаточный вал	Каждые 10 ч	Смазывайте антикоррозийным маслом.

ПОИСК И УСТРАНЕНИЕ НЕИСПРАВНОСТЕЙ

Перед обращением за ремонтом сначала проведите самостоятельную проверку. Если Вы обнаружили проблему, которая не описана в руководстве, не пытайтесь разбирать инструмент. Вместо этого обратитесь за ремонтом в уполномоченный центр по техобслуживанию Makita с обязательным использованием запасных частей Makita.

Состояние неисправности	Причина	Действие
Мотор не работает.	Сетевая розетка не подключена.	Подключите к сетевой розетке.
	Поврежден кабель питания.	Обратитесь за ремонтом в Ваш местный уполномоченный центр по техобслуживанию.
	Приводной механизм работает неправильно.	
Мотор прекращает работать после кратковременного использования.	Перегрев.	Прекратите использование инструмента, чтобы дать ему охладиться.
Не достигается максимальное количество оборотов.	Приводной механизм работает неправильно.	Обратитесь за ремонтом в Ваш местный уполномоченный центр по техобслуживанию.
Режущий инструмент не вращается: немедленно остановите механизм!	Посторонний предмет, например, ветка, зажат между кожухом и режущим инструментом.	Удалите посторонний предмет.
	Крепежная гайка режущего лезвия раскрутилась.	Закрутите гайку надлежащим образом, как описано в данной инструкции.
	Режущее лезвие погнулось.	Замените режущее лезвие.
	Приводной механизм работает неправильно.	Обратитесь за ремонтом в Ваш местный уполномоченный центр по техобслуживанию.
Ненормальная вибрация: немедленно остановите механизм!	Один конец нейлоновой лески поврежден.	Ударьте нейлоновую режущую головку о землю, пока она вращается, чтобы вызвать подачу лески.
	Режущее лезвие погнулось, треснуло или износилось.	Замените режущее лезвие.
	Крепежная гайка режущего лезвия раскрутилась.	Закрутите гайку надлежащим образом, как описано в данной инструкции.
	Режущее лезвие закреплено неправильно.	
Приводной механизм работает неправильно.	Обратитесь за ремонтом в Ваш местный уполномоченный центр по техобслуживанию.	
Невозможно остановить режущий инструмент и мотор: Немедленно отсоедините сетевую вилку!	Электрическая или электронная неисправность.	Отсоедините сетевую вилку и обратитесь за ремонтом в Ваш местный уполномоченный центр по техобслуживанию.

ДОПОЛНИТЕЛЬНЫЕ ПРИНАДЛЕЖНОСТИ

ПРЕДУПРЕЖДЕНИЕ:

- Эти принадлежности или приспособления рекомендуются для использования с Вашим инструментом Makita, указанным в руководстве. Использование любых других принадлежностей или приспособлений может привести к травме. Используйте принадлежности или приспособления только для указанных целей.

Если Вам необходима какая-либо помощь относительно дальнейших подробностей об этих принадлежностях, обращайтесь в Ваш местный центр по техобслуживанию Makita.

- Режущее лезвие
- Нейлоновая режущая головка
- Нейлоновая леска (линия резки)
- Наплечное крепление

ПРИМЕЧАНИЕ:

- Некоторые пункты в списке могут быть включены в комплект поставки инструмента как стандартные принадлежности. Они могут различаться в зависимости от страны.

Пояснення до загального вигляду

1 Тримач шнура	10 Різальний інструмент	21 Фіксуєча шайба
2 Шнур живлення (форма може відрізнятись в залежності від країни)	11 Плечовий ремінь	22 Ковпачок
3 Задня ручка	12 Амортизатор	23 Гайка
4 Важіль блокування	13 Найбільш ефективна різальна частина	24 Тримерна головка з нейлоновим кордом
5 Пусковий курок	14 Ручка	25 Кордовий ніж
6 Передня ручка	15 Гумова частина	26 Кришка
7 Підвіс (точка підвішування)	16 Внутрішній протектор	27 Підвіс
8 Бар'єр	17 Зовнішній протектор	28 80 – 100 мм
9 Захисний кожух різального інструмента (захист)	18 Приймальна шайба	29 Котушка
	19 Круглий стрижень	
	20 Пезо	

ТЕХНІЧНІ ХАРАКТЕРИСТИКИ

Модель	UR2300	UR3502
Тип ручки	Ручка-скоба	
Загальна довжина	1630 мм	
Номінальна потужність при безперервній роботі	1000 Вт	
Оберти холостого ходу	5700 хв ⁻¹	5700 хв ⁻¹
Різальний інструмент	Тримерне лезо	Тримерна головка з нейлоновим кордом
Ширина підстригання	230 мм	350 мм
Вага нетто	4,7 кг	4,9 кг
Клас безпеки	II/II	

- У зв'язку з постійно діючою програмою дослідження та розробки наведені технічні характеристики можуть змінюватись без повідомлення.
- Технічні характеристики можуть відрізнятись в залежності від країни.
- Вага відповідає стандартам ЕРТА від 01/2003

Шум	Середній рівень акустичного тиску		Середній рівень акустичної потужності		Застосовний стандарт
	L _{РА} (дБ(А))	К невизначеності (дБ(А))	L _{WA} (дБ(А))	К невизначеності (дБ(А))	
Різальний інструмент					
Тримерне лезо	80,8	2,5	93,45	1,23	EN 60335-1, EN 50636-2-91, EN ISO 11806
Тримерна головка з нейлоновим кордом	85,3	2,5	93,84	1,58	

- Використовуйте засоби захисту органів слуху.

Вібрація	Передня ручка		Задня ручка		Застосовний стандарт
	a _n (м/с ²)	К невизначеності (м/с ²)	a _n (м/с ²)	К невизначеності (м/с ²)	
Різальний інструмент					
Тримерне лезо	2,856	1,5	2,712	1,5	EN 60335-1, EN 50636-2-91, EN ISO 11806
Тримерна головка з нейлоновим кордом	2,768	1,5	2,694	1,5	

- Заявлене значення сили вібрації виміряне відповідно до стандартного методу тестування і може використовуватися для порівняння з іншими інструментами.
- Окрім того, заявлене значення сили вібрації може використовуватися для попереднього оцінювання впливу вібрації.



- Забезпечте відстань не менше 15 метрів.



- ПОДВІЙНА ІЗОЛЯЦІЯ



- Лише для країн ЄС
Не викидайте електричне обладнання разом з побутовим сміттям!
Згідно з Європейською директивою щодо відпрацьованого електричного й електронного обладнання та її втілення відповідно до національного законодавства електричне обладнання, яке досягло кінця терміну експлуатації, потрібно збирати окремо та передавати до пунктів екологічно чистої переробки.

⚠ ПОПЕРЕДЖЕННЯ:

- Сила вібрації під час фактичного використання електроінструменту може відрізнятись від заявленого значення в залежності від умов використання інструменту.
- Обов'язково визначте заходи безпеки для захисту оператора відповідно до оцінки впливу вібрації в реальних умовах використання (беручи до уваги усі етапи робочого циклу, серед яких вимкнення інструменту, робота у холостому режимі та час запуску).

Символи

Нижче наводяться символи, які можна знайти на цьому обладнанні. Обов'язково ознайомтесь із ними, перш ніж починати роботу.



- Будьте особливо обережні та уважні.



- Прочитайте керівництво.



- Небезпека; усвідомлюйте можливість розкидання предметів.



- Відстань між інструментом та сторонніми особами має становити не менше 15 метрів.



- Не дозволяйте стороннім особам наблизитися.



- Надягайте шолом, захисні окуляри та застосовуйте захист органів слуху.



- Надягайте захисні рукавички.



- Надягайте міцне взуття із нековзною підшвою. Рекомендовано використовувати захисне взуття із сталевими носками.



- Бережіть від вологи.



- Якщо шнур пошкоджено або перекручено, вимкніть інструмент з розетки.



- Уникайте відбою.

Загальні застереження щодо техніки безпеки при роботі з електроінструментами

⚠ ПОПЕРЕДЖЕННЯ Прочитайте усі застереження та інструкції. Недотримання застережень та інструкцій може призвести до ураження електричним струмом, займання та/або тяжкої травми.

Збережіть усі інструкції з техніки безпеки та експлуатації на майбутнє.

Термін "електроінструмент", зазначений у інструкції з техніки безпеки, стосується електроінструмента, який функціонує від електромережі (електроінструмент з кабелем живлення), або електроінструмента з живленням від батареї (безпроводний електроінструмент).

Безпека робочого місця

1. **Робоче місце повинно бути чистим і добре освітленим.** Неупорядковане або затемнене робоче середовище часто є причиною виникнення нещасних випадків.
2. **Не користуйтеся електроінструментами у вибухонебезпечному середовищі, наприклад за наявності вогненебезпечної рідини, газів або пилу.** Робота електроінструментів супроводжується іскрінням, яке може спричинити запалення пилу або випарів.
3. **Не підпускайте дітей та інших осіб туди, де використовується електроінструмент.** Відволікання може спричинити втрату контролю.

Електробезпека

4. **Розетка має відповідати вилці електроінструмента.** Жодним чином не слід змінювати форму вилки. Не користуйтеся жодними адаптерами для роботи з електроінструментами, для яких передбачено заземлення. Стандартна вилка та відповідна розетка мають знизити ризик ураження електричним струмом.
5. **Уникайте контактів із заземленими чи зануленими поверхнями, наприклад із трубами, радіаторами, електроплитами, холодильниками тощо.** Ризик ураження електричним струмом збільшується, якщо тіло заземлене або занулене.
6. **Не тримайте електроінструменти під дощем або в умовах підвищеної вологості.** Потраплення води в електроінструмент збільшує ризик ураження електричним струмом.
7. **Правильно користуйтеся шнуром живлення.** Не використовуйте шнур для перенесення електроінструмента, підтягування його або витягування вилки з розетки. Тримайте шнур подалі від джерел нагрівання, мастил, гострих країв або рухомих частин. Ушкоджений або сплутаний шнур збільшує ризик ураження електричним струмом.
8. **При роботі з електроінструментом поза приміщенням використовуйте подовжувач, розрахований на зовнішні роботи.** Використання подовжувача, придатного для роботи поза приміщенням, знизить ризик ураження струмом.

9. **Якщо ж вам доводиться працювати з електроінструментом у вологому місці, тоді використовуйте пристрій захисту від струму замикання на землю (RCD).** Використання RCD зменшує ризик ураження струмом.
10. **Джерело живлення має бути обладнане RCD із номінальним залишковим струмом 30 мА або менше.**

Особиста безпека

11. **Будьте уважні, слідкуйте за тим, що ви робите, та будьте обережними при роботі з електроінструментом.** Не працюйте з електроінструментом, коли ви втомлені або знаходитесь під впливом наркотиків, алкоголю чи ліків. Одна мить неуважності при роботі з електроінструментами може призвести до серйозних травм.
12. **Використовуйте засоби індивідуального захисту. Завжди надгайте засоби захисту очей.** Такі засоби захисту, як респіратор, неслизьке робоче взуття, захисний шолом та засоби захисту органів слуху, використовувані у відповідних умовах, знижують ризик отримання травм.
13. **Запобігайте випадковому запуску пристрою.** Перш ніж приєднати до джерела енергопостачання та/або акумулятора, підняти чи перенести інструмент, переконайтеся, що вимикач знаходиться в положенні "вимкнено". Перенесення інструмента, тримаючи пальці на вимикачі, або подання живлення на інструмент із вимикачем у положенні "увімкнено" може призвести до нещасного випадку.
14. **Перед тим як увімкнути електроінструмент, зніміть регульовальні та гайкові ключі.** Залишений на рухомій частині електроінструмента ключ може призвести до отримання травм.
15. **Не перенапружуйтеся.** Завжди твердо стійте на ногах та тримайте рівновагу. Це забезпечує краще управління електроінструментом у непередбачених ситуаціях.
16. **Одягніться належним чином.** Не слід одягати просторий одяг чи прикраси. Волосся, одяг та рукавиці повинні знаходитися на безпечній відстані від рухомих деталей. Просторий одяг, прикраси чи довге волосся можуть потрапити між рухомими частинами.
17. **Якщо передбачені пристрої для підключення пилословловачального та пилосбирального обладнання, їх необхідно підключити та застосовувати у встановленому порядку.** Використання пилословловачів може зменшити ризики, пов'язані з накопиченням пилу.

Експлуатація електроінструмента та догляд за ним

18. **Не перевантажуйте електроінструмент.** Використовуйте електроінструмент, потужність якого відповідає виконуваній роботі. Робота буде виконана краще і безпечніше, якщо використовувати інструмент відповідно до його номінальної потужності.

19. **Не можна користуватись електроінструментом, якщо його вимикач не працює.** Будь-який електроінструмент, яким не можна управляти за допомогою вимикача, є небезпечним і підлягає ремонту.
20. **Перед налагоджуванням, заміною приладдя чи зберіганням електроінструмента необхідно відключити його від розетки та (або) витягнути акумулятор.** Такі запобіжні заходи зменшують ризик випадкового ввімкнення електроінструмента.
21. **Зберігайте електроінструменти в недоступному для дітей місці і не дозволяйте користуватися електроінструментом особам, які не обізнані з інструментом чи цими вказівками.** Електроінструменти є небезпечними в руках невідготовлених людей.
22. **Виконуйте технічне обслуговування електроінструментів.** Перевіряйте центрування, відсутність заїдання рухомих деталей і пошкодження деталей, а також усі інші умови, які можуть негативно впливати на роботу електроінструмента. У разі пошкодження електроінструмента його необхідно відремонтувати, перш ніж продовжувати його використання. Багато нещасних випадків стається внаслідок поганого догляду за електроінструментами.
23. **Різальні інструменти необхідно утримувати загостреними та чистими.** При доглянутих ріжучих інструментах з гострими ріжучими кромками менше вірогідності заклинювання, і ними легше керувати.
24. **Використовуйте електроінструменти, аксесуари та вставні деталі відповідно до цих інструкцій, беручи до уваги робочі умови та роботу, що слід виконати.** Використання електроінструмента для виконання роботи, яка не відповідає його призначенню, може призвести до небезпечної ситуації.

Обслуговування

25. **Ремонт електроінструмента повинен здійснювати лише кваліфікований майстер з використанням лише стандартних деталей.** Це забезпечить підтримання електроінструмента в належному стані.
26. **Дотримуйтесь інструкції щодо змащення та заміни оснащення.**
27. **Слідкуйте за тим, щоб ручки були сухі, чисті й не забруднені маслом та мастилом.**

ВАЖЛИВІ ПРАВИЛА ТЕХНІКИ БЕЗПЕКИ

⚠ ПОПЕРЕДЖЕННЯ! Прочитайте усі застереження та інструкції. Недотримання застережень та інструкцій може призвести до ураження електричним струмом, займання та/або тяжкої травми.

Збережіть усі інструкції з техніки безпеки та експлуатації на майбутнє.

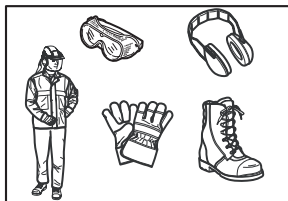
Передбачене використання

1. Електротриммер/кущоріз електрокоса призначений лише для підстригання трави, бур'яну, кущів та підліска. Його не слід використовувати для будь-яких інших цілей, як-от обрізання або підстригання живої горожі, оскільки це може призвести до травмування.

Загальні інструкції

1. Ніколи не дозволяйте користуватися інструментом особам, не знайомим із даною інструкцією, особам (включаючи дітей) з обмеженими фізичними, сенсорними та розумовими здібностями, а також особам з браком досвіду та знань. Наглядайте за дітьми та слідкуйте, щоб вони не гралися із інструментом.
2. Перш ніж вмикати інструмент, прочитайте це керівництво, щоб навчитися користуватися інструментом.
3. Не давайте інструмент особам, які не мають достатнього досвіду або знань з використання кущорізів та електрокос.
4. Якщо передаєте комусь інструмент, завжди також давайте це керівництво.
5. Використовуйте інструмент із максимальною обережністю та уважністю.
6. Ніколи не користуйтеся інструментом після споживання алкоголю чи наркотичних речовин, або якщо почуваєтеся втомленим чи хворим.
7. Ніколи не намагайтесь видозмінювати інструмент.
8. Забезпечте захист, щоб не травмуватися пристроєм, встановленим для обрізання корду. Після натягнення нового тримерного корду повертайте машину до нормального робочого положення, перш ніж вмикати її.
9. Дотримуйтесь правил користування кущорізами та електрокосами, що діють у вашій країні.

Засоби індивідуального захисту



1. Одягайте захисний шолом, захисні окуляри та захисні рукавички, щоб захистити себе від сміття або предметів, що можуть вилітати з-під інструмента.
2. Використовуйте засоби захисту органів слуху, як-от протишумові навушники, щоб вберегти себе від втрати слуху.
3. Носіть відповідний одяг та взуття, призначені для безпечної роботи, як-от робочий комбінезон та міцне взуття із нековзною підошвою. Не одягайте вільний одяг або прикраси. Вільний одяг, прикраси або довге волосся можуть зачепитися за рухомі деталі.
4. Якщо треба торкатися леза, одягайте захисні рукавички. Леза можуть сильно порізати незахищені руки.

Безпека робочого місця

1. Користуйтеся інструментом лише за умови доброї видимості та вдень. Не користуйтеся інструментом у темряві або у тумані.
2. Не користуйтеся інструментом у вибухонебезпечному середовищі, як-от за наявності займих рідин, газів або пилу. Інструмент створює іскри, які можуть запалити пил або пари.
3. Під час роботи ніколи не стійте на хиткій або слизькій поверхні чи на крутому схилі. У зимовий період будьте обережні із льодом та снігом, і завжди стійте міцно.
4. Під час роботи слідкуйте, щоб сторонні особи або тварини не наближались до інструмента ближче ніж на 15 метрів. Щойно хтось наблизиться, негайно зупиніть інструмент.
5. Перш ніж починати роботу, огляньте робочу зону на наявність каменів або інших твердих предметів. Вони можуть зрикошетити або викликати небезпечний відбій та призвести до тяжких травм та/або пошкодження майна.
6. **⚠ ПОПЕРЕДЖЕННЯ:** Використання цього виробу може призвести до утворення пилу, що містить хімічні речовини, які можуть викликати респіраторні або інші захворювання. Такими речовинами можуть бути хімічні сполуки, що знаходяться у пестицидах, інсектицидах, добривах та гербіцидах. Ризик впливу цих речовин залежить від того, як часто ви виконуете такі роботи. Щоб знизити вплив таких хімічних речовин: працюйте у добре провітрюваному місці та використовуйте відповідне захисне спорядження, як-от пилозахисні маски, спеціально призначені для фільтрації мікрокопічних часток.

Електрична безпека

1. **Вилка електроінструменту має відповідати розетці. Ніколи не змінюйте вилку. Не використовуйте жодні перехідні вилки із заземленими електроінструментами.** Використання не вказаних вилок та відповідних розеток дозволяє зменшити ризик ураження електричним струмом.
2. **Не торкайтесь поверхонь заземлення, таких як труби, батареї, стенди та холодильники.** Якщо ваше тіло заземлене, існує підвищений ризик ураження електричним струмом.
3. Бережіть інструмент від дощу та вологи. Потрапляння всередину інструменту води призводить до підвищення ризику ураження електричним струмом.
4. **Бережіть шнур від ушкоджень. Ніколи не використовуйте шнур, щоб переносити, тягнути або вимикати електроінструмент з розетки. Не підносьте шнур до джерел тепла, масла, гострих країв та рухомих деталей.** Пошкодження або перекручування шнура створює підвищений ризик ураження електричним струмом.
5. Не користуйтеся інструментом, якщо вимикач не вмикає та не вимикає інструмент. Будь-який інструмент, який неможливо контролювати за допомогою вимикача, є небезпечним і підлягає ремонту.

6. **Якщо електроінструмент застосовується на вулиці, користуйтеся шнуром-подовжувачем, призначеним для вулиці.** Використання шнура, призначеного для вулиці, зменшує ризик ураження електричним струмом.
7. **Якщо використання електроінструменту у вологих умовах неможливо уникнути, використовуйте із джерелом живлення пристрій захисного відключення (RCD).** Використання RCD зменшує ризик ураження електричним струмом.
8. **Джерело живлення має бути обладнане RCD із номінальним залишковим струмом 30 мА або менше.**
9. Запобігайте ненавмисному запуску. Переконайтеся, що вимикач знаходиться у положенні вимкнення, перш ніж підключати інструмент до джерела живлення, піднімати або переносити його. Не слід переносити електроінструменти, тримаючи палець на вимикачі, або підключати електроінструменти до джерела живлення із перемикачем у положенні увімкнення, оскільки це становить велику небезпеку.
10. Перш ніж користуватися, перевірте шнур живлення та шнур-подовжувач на наявність пошкодження або старіння.
11. Якщо шнур пошкоджується під час використання, негайно від'єднайте шнур від джерела живлення. **Не торкайтесь шнура, перш ніж від'єднасте його від джерела живлення.**
12. Не використовуйте інструмент, якщо шнури пошкоджені або зношені.
13. Тримайте шнур-подовжувач подалі від різальних елементів.

Підготовка до роботи

1. Перш ніж збирати або налаштовувати інструмент, вимкніть вилку з джерела живлення.
2. Перш ніж торкатися тримерного леза, надягніть захисні рукавички.
3. Перш ніж вмикати в розетку, огляньте інструмент на предмет пошкоджень, затягнення гвинтів/гайок або правильності збирання. Загостріть тупе тримерне лезо. Якщо тримерне лезо погнулось або пошкоджене, замініть його. Перевірте легкість роботи усіх важелів та перемикачів. Почистіть та висушіть ручки.
4. Ніколи не намагайтесь увімкнути інструмент, якщо його пошкоджено або не повністю зібрано. Інакше можливі тяжкі травми.
5. Перш ніж вмикати інструмент, приберіть усі розсувні або встановлювальні ключі. Якщо на обертовій деталі залишився ключ, це може стати причиною травми.
6. Відрегулюйте положення плечевого ремня та ручки відповідно до розмірів тіла оператора.
7. Під час вмикання інструмента в розетку тримайте різальну насадку подалі від тіла, інших предметів та землі. Під час пуску вона може почати обертатися і заподіяти травму або пошкодити інструмент та/або майно.

Використання

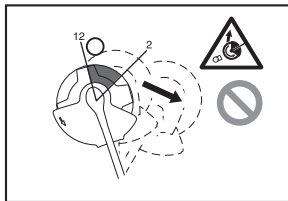
1. У разі екстреної ситуації негайно вимикайте інструмент.
2. Якщо під час роботи наявні будь-які незвичні умови (напр., шум, вібрації), вимкніть інструмент. Не користуйтеся інструментом, поки не встановите і не усунете причину.
3. Попередження. Після вимикання інструменту різальна насадка ще деякий час обертається. Не поспішайте торкатися різальної насадки.
4. Під час роботи використовуйте плечовий ремінь. Міцно тримайте інструмент праворуч.
5. Не тягніться. Завжди стійте упевнено та збалансовано. Будьте обережні із непомітними перешкодами, як-от пеньки, корені та канави, щоб не спіткнутися.
6. Ніколи не працюйте на драбині або дереві, щоб не втратити контроль.
7. Перш ніж користуватися машиною та після кожного сильного зіткнення або падіння, перевіряйте її стан. Перевіряйте засоби керування та захисні пристрої на наявність несправності. У разі будь-яких пошкоджень або сумнівів звертайтеся до нашого авторизованого сервісного центру для огляду та ремонту.
8. Не торкайтесь коробки передач. Під час роботи коробка передач нагрівається.
9. Відпочивайте, щоб не втратити контроль через втому. Ми рекомендуємо відпочивати кожну годину по 10–20 хвилин.
10. Якщо залишаєте інструмент навіть на короткий час, завжди вимикайте його з розетки. Підключеним до розетки інструментом, що залишився без нагляду, може скористатися стороння особа і заподіяти тяжких травм.
11. Якщо між різальною насадкою та захисним кожухом потрапляє трава чи гілки, перш ніж очистити, обов'язково вимкніть інструмент та витягніть його вилку з розетки. Інакше різальна насадка може випадково почати обертатися і завдати тяжкої травми.
12. Якщо різальна насадка потрапляє на камені або інші тверді предмети, негайно вимикайте інструмент. Потім вийміть вилку з розетки та огляньте різальну насадку.
13. Під час роботи часто перевіряйте різальну насадку на наявність тріщин або пошкоджень. Перш ніж починати огляд, вийміть вилку з розетки і зачекайте, доки різальна насадка повністю не зупиниться. Негайно замінійте пошкоджену різальну насадку навіть за незначних тріщин.
14. Ніколи не рійте на висоті вище пояса.
15. Після вмикання інструменту перш ніж починати підстригати, зачекайте, поки різальна насадка не досягне постійної швидкості.
16. Під час використання металевих лез рівномірно проводьте інструмент справа наліво, немов косу.
17. Тримайте інструмент лише за ізольовані поверхні для тримання, оскільки тримерне лезо може торкнутися непомітних проводів. Якщо тримерне лезо торкнеться проводу під напругою, відкриті металеві частини інструменту також можуть опинитися під напругою, що призведе до ураження оператора електричним струмом.
18. Завжди слідкуйте, щоб вентиляційні отвори були чисті від сміття.

Різальні насадки

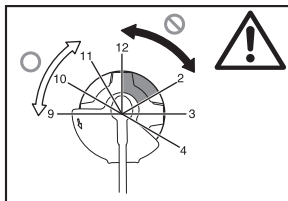
1. Використовуйте різальні насадки, що відповідають поточній роботі.
 - Тримерні головки з нейлоновим кордом (головки кордових газонокосарок) підходять для підстригання газонної трави.
 - Металеві леза призначені для підстригання бур'янів, високої трави, кущів, чагарнику, підліску, заростей тощо.
 - Ніколи не використовуйте інші ріжучі пластини включено із металевими складеними обертовими ланцюгами та шарнірними ножами. Це може призвести до тяжких травм.
2. Завжди використовуйте захисний кожух, призначений для встановленої різальної насадки.
3. Ніколи не встановлюйте металеві різальні елементи на моделі із нейлоновим кордом.
4. Якщо використовуються металеві леза, уникайте "відбою" і будьте завжди готові до несподіваного відбою. Див. розділ "Відбій".

Відбій (упирання леза)

1. Відбій (упирання леза) є різкою реакцією на застрягання тримерного леза. Якщо це трапляється, інструмент з великою силою відкидає убій або на оператора, що може стати причиною тяжкої травми.
2. Відбій трапляється особливо часто, коли до твердих предметів, кущів та дерев діаметром 3 см або більше застосовується частина леза, що відповідає сегменту годинника між 12 та 2 годинами.



3. Уникання відбою:
 - використовуйте сегмент між 8 та 11 годинами;
 - забороняється застосовувати сегмент між 12 та 2 годинами;
 - якщо оператор володіє відповідними знаннями та досвідом, то йому на свій страх і ризик дозволяється використовувати сегменти між 11 та 12 годинами та між 2 та 5 годинами;
 - ніколи не застосовуйте тримерні леза поблизу від твердих предметів, як-от огорожі, стіни, стовбури дерев та камені;
 - ніколи не використовуйте металеві пластини у вертикальному положенні для окантовки та стриження живоплоту.



Вібрації

1. Під впливом сильних вібрацій можливе травмування кровоносних судин або нервової системи в осіб із поганим кровообігом. Вібрація може спричинити наведені нижче симптоми у пальцях, руках або зап'ястьях: "засинання" (оніміння), поколювання, біль, стріляючий біль, зміна нормального вигляду та кольору шкіри. За наявності хоча б одного з цих симптомів слід обов'язково звернутися до лікаря!
2. Щоб знизити ризик "синдрому білих пальців", під час роботи тримайте руки у теплі та добре доглядайте за інструментом й аксесуарами.

Транспортування

1. Перш ніж транспортувати інструмент, вимкніть його та витягніть вилку з розетки. Встановіть на тримерне лезо кришку.
2. Під час транспортування інструменту переносьте його у горизонтальному положенні, тримаючи за трубу.
3. Якщо інструмент транспортується в автомобілі, надійно закріпіть його, щоб він не впав. Інакше можливе ушкодження інструменту та іншого багажу.

Технічне обслуговування

1. Для обслуговування інструменту звертайтеся до нашого офіційного сервісного центру, та завжди використовуйте лише оригінальні запасні деталі. Неправильний ремонт та неякісне технічне обслуговування можуть призвести до скорочення терміну служби інструменту та підвищення ризику виникнення небезпечних ситуацій.
2. Перш ніж обслуговувати, ремонтувати або чистити інструмент, обов'язково вимкніть його та витягніть вилку з розетки.
3. Під час обслуговування тримерного леза завжди надягайте захисні рукавички.
4. Завжди чистіть інструмент від пилу і бруду. Ніколи не використовуйте для цього пальне, бензин, розчинник, спирт тощо. Це може призвести до знебарвлення, деформації або розтріскування пластикових частин.
5. Після кожного використання закручіть усі гвинти та гайки.
6. Не намагайтесь проводити технічне обслуговування або ремонт, якщо це не описано у цьому керівництві. Зверніться для проведення таких робіт до нашого офіційного сервісного центру.
7. Завжди використовуйте лише наші оригінальні запасні деталі та аксесуари. Використання деталей або аксесуарів від сторонніх виробників може призвести до пошкодження інструменту, пошкодження майна та/або тяжкої травми.
8. Регулярно звертайтеся до нашого офіційного сервісного центру для огляду та технічного обслуговування інструменту.

Зберігання

1. Перш ніж складати інструмент на зберігання, повністю почистіть його та проведіть технічне обслуговування. Вимкніть вилку з розетки. Встановіть на тримерне лезо кришку.
2. Зберігайте інструмент у сухому та розташованому високо місці або у місці, замкненому та недоступному для дітей.

3. Не спирайте інструмент об стіну тощо. Інакше він може несподівано впасти та завдати травми.

Перша допомога

1. Завжди тримайте поблизу аптечку. Одразу поповнюйте аптечку, якщо скористалися чимось із неї.
2. Коли звертаєтесь по допомогу, надавайте наступну інформацію:
 - місце нещасного випадку;
 - що саме трапилось;
 - кількість поранених людей;
 - характер травми;
 - ваше ім'я.

ЗБЕРІГАЙТЕ ЦІ ІНСТРУКЦІЇ.

⚠ ПОПЕРЕДЖЕННЯ:

НЕ ДОЗВОЛЯЙТЕ розслабленості або панібратству із виробом (що набувається через регулярне використання) замінити чітке дотримання правил безпеки щодо даного виробу. НЕНАЛЕЖНЕ ВИКОРИСТАННЯ або недотримання викладених у даному керівництві правил безпеки може призвести до тяжкої травми.

ОПИС ДЕТАЛЕЙ (мал. 1)

ОПИС ФУНКЦІОНУВАННЯ

⚠ ПОПЕРЕДЖЕННЯ:

• Перш ніж коригувати або перевіряти функції інструменту, завжди упевнійтесь, що інструмент вимкнений та відключений від розетки. Якщо інструмент не вимкнути та не відключити від розетки, це може призвести до тяжкої травми через випадковий запуск.

Робота пускового курка (мал. 2)

⚠ ПОПЕРЕДЖЕННЯ:

• Перш ніж вмикати вилку в розетку, завжди перевіряйте, що пусковий курок працює належно та повертається у положення вимикання, якщо його відпустити. Не тягніть сильно за пусковий курок, не перевіші сплчатку важіль блокування. Це може призвести до пошкодження курка. Робота із пристроєм із курком, що працює неналежним чином, може призвести до втрати контролю та тяжкої травми.

Для попередження випадкового спрацьовування пускового курка на інструменті передбачено важіль блокування.

Щоб запустити інструмент, переведіть важіль блокування вперед та потягніть пусковий курок. Відпустіть пусковий курок, щоб зупинити інструмент.

Тримерна головка з нейлоновим кордом (мал. 3)

ПОВІДОМЛЕННЯ:

- Не намагайтесь подавати корд з головки під час роботи інструменту з високими обертами. Подання корду під час роботи з високими обертами може призвести до пошкодження тримерної головки з нейлоновим кордом.
- Подання нитки не працюватиме належним чином, якщо головка не обертається.

ПРИМІТКА:

- Стандартне приладдя залежить від моделі та країни.

Тримерна головка з нейлоновим кордом є подвійною головою для електротримера з напівавтоматичним подаванням корду.

Для подачі нейлонового корду стукніть тримерною головою об землю, коли тримерна головка обертається.

ПРИМІТКА:

- Якщо нейлоновий корд не подається, коли ви стукаєте головою об землю, перемотайте/замініть нейлоновий корд, виконавши процедуру з розділу "Технічне обслуговування".

Тримач шнура (мал. 4)

Зробіть маленьку петлю із шнура живлення та зафіксуйте її у тримачі шнура.

ЗБИРАННЯ

⚠ ПОПЕРЕДЖЕННЯ:

- Перш ніж проводити будь-які роботи із інструментом, завжди перевіряйте, щоб інструмент був вимкнений та відключений від розетки. Якщо інструмент не вимкнути та не відключити від розетки, це може призвести до тяжкої травми через випадковий запуск.
- Ніколи не запускайте інструмент, поки не зібрано його повністю. Робота із частково зібраним інструментом може призвести до тяжкої травми через випадковий запуск.

Встановлення ручки (мал. 5)

⚠ ПОПЕРЕДЖЕННЯ:

- Не знімайте та не зменшуйте розширювач або амортизатор. Розширювач забезпечує певну відстань між обома руками. Встановлення вузла ручка/бар'єр близько до іншої ручки на відстані меншій за довжину розширювача може призвести до втрати контролю та тяжкої травми.

Встановіть ручку та бар'єр на гумову частину на трубі. Відрегулюйте положення ручки та зафіксуйте за допомогою чотирьох болтів.

Дозволена комбінація різального інструменту та захисту

⚠ ПОПЕРЕДЖЕННЯ:

- Завжди використовуйте інструмент із дозволеною комбінацією захисного спорядження. Інакше контакт із різальним інструментом може призвести до серйозних травм.
- Ніколи не використовуйте інструмент без захисного кожуху, встановленого як показано на малюнку. Недотримання цієї вимоги може призвести до тяжкої травми.

ПРИМІТКА:

- Стандартні аксесуари залежать від моделі та країни.

Для тримерного леза (мал. 6)

Для тримерної головки з нейлоновим кордом (мал. 7)

Встановлення захисту для тримерного леза (мал. 8)

1. Вирівняйте отвори на внутрішньому протекторі відносно отворів на коробці передач.
2. Потім закріпіть за допомогою трьох болтів.

Встановлення протектора для головки із нейлоновим кордом

⚠ УВАГА:

- Будьте обережні, щоб не травмуватися ножем для обрізання нейлонового корда.
- Не забудьте зняти із тримера протектор перед використанням.

1. Сумістіть чотири болти на зовнішньому протекторі із отворами на внутрішньому протекторі. (мал. 9)
2. Закріпіть за допомогою чотирьох болтів.
3. Вирівняйте отвори на внутрішньому протекторі відносно отворів на коробці передач.
4. Закріпіть за допомогою болтів. (мал. 10)

Встановлення тримерного леза

⚠ ПОПЕРЕДЖЕННЯ:

- Зовнішній діаметр ріжучої пластини має становити 230 мм. Ніколи не використовуйте леза із зовнішнім діаметром більше 230 мм.

⚠ УВАГА:

- Тримерне лезо має бути добре загострене та не мати тріщин або пошкоджень. Загострюйте або замінійте ріжучу пластину кожні три години роботи.
- Під час роботи із ріжучим лезом завжди надягайте рукавиці.
- Завжди встановлюйте на лезо кришку, коли інструмент не використовується або транспортується.
- Із плином часу гайка кріплення леза зношується. Якщо помітні будь-які сліди зношення або деформації, замініть гайку. Зверніться в офіційний сервісний центр для замовлення.

ПОВІДОМЛЕННЯ:

- Обов'язково використовуйте оригінальне тримерне лезо.

Перевірте інструмент, щоб можна було легко замінити тримерне лезо. (мал. 11)

1. Встановіть на вісь приймальну шайбу.
2. Поверніть приймальну шайбу так, щоб розташовані на ній паз прийшовся на паз коробки передач.
3. Вставте круглий стрижень через обидва пази так, щоб приймальна шайба не оберталась.
4. Вставте у приймальну шайбу лезо.
5. Надягніть на лезо фіксуючу шайбу.
6. Надягніть на лезо кришку.
7. Закріпіть за допомогою гайки, обертаючи її проти годинникової стрілки та утримуючи при цьому круглий стрижень.

Щоб зняти лезо, виконайте наведені вище кроки у зворотному порядку.

Встановлення тримерної головки з нейлоновим кордом (мал. 12)

ПОВІДОМЛЕННЯ:

- Обов'язково використовуйте оригінальну тримерну головку з нейлоновим кордом.

Перевірте інструмент, щоб можна було легко замінити тримерну головку з нейлоновим кордом.

ПРИМІТКА:

- Перш ніж користуватися інструментом, зніміть з кордового ножа кришку.

1. Встановіть на вісь приймальну шайбу.
2. Поверніть приймальну шайбу так, щоб розташовані на ній паз прийшовся на паз коробки передач.
3. Вставте круглий стрижень через обидва пази так, щоб приймальна шайба не оберталась.
4. Встановіть тримерну головку з нейлоновим кордом, обертаючи її проти годинникової стрілки.
5. Перш ніж встановлювати тримерну головку з нейлоновим кордом, зніміть круглий стрижень.

Щоб зняти головку з нейлоновим кордом, виконайте наведені вище кроки у зворотному порядку.

ЕКСПЛУАТАЦІЯ

Правильне застосування інструменту (мал. 13)

Правильна стійка

⚠ ПОПЕРЕДЖЕННЯ:

- Завжди тримайте інструмент праворуч від тіла, щоб бар'єр завжди знаходився перед вами. Правильне розташування інструменту забезпечує максимальний контроль та зменшує ризик отримання тяжкої травми від відбою.

⚠ УВАГА:

- Якщо під час роботи різальний інструмент випадково вдариться об камінь або твердий предмет, зупиніть інструмент та огляньте на наявність пошкоджень. Якщо різальний інструмент пошкоджено, негайно замініть його. Використання пошкодженого різального інструменту може призвести до тяжкої травми.

Надягніть плечовий ремінь на ліве плече, просунувши через нього голову та праву руку, та тримайте інструмент праворуч так, щоб бар'єр завжди знаходився перед вами.

Кріплення плечового ремня (мал. 14)

Відрегулюйте довжину ремня таким чином, щоб різальний інструмент був паралельним землі.

З'єднайте підвіс та ремінь.

⚠ ПОПЕРЕДЖЕННЯ:

- Будьте надзвичайно обережні, щоб завжди контролювати інструмент. Не дозволяйте інструменту відхилитися до вас або іншої людини, що знаходиться поряд. Неналежний контроль за інструментом може призвести до тяжкого травмування сторонньої людини та оператора.

Регулювання положення підвісу та плечового ремня (мал. 15)

Відрегулюйте положення підвісу, як показано на малюнку. (мал. 16)

Щоб змінити положення підвісу, розкрутіть болт підвісу. Потім перемістіть підвіс.

Після регулювання положення підвісу надійно закрутіть болт ключем.

ТЕХНІЧНЕ ОБСЛУГОВУВАННЯ

⚠ ПОПЕРЕДЖЕННЯ:

- Перш ніж оглядати або здійснювати технічне обслуговування інструменту, завжди перевіряйте, щоб інструмент був вимкнений та відключений від розетки. Якщо інструмент не вимкнута та не відключити від розетки, це може призвести до тяжкої травми через випадковий запуск.

ПОВІДОМЛЕННЯ:

- Ніколи не використовуйте пальне, бензин, розчинник, спирт або щось подібне. Це може призвести до знебарвлення, деформації або розтріскування.

Заміна нейлонового корду (мал. 17)

⚠ ПОПЕРЕДЖЕННЯ:

- Перш ніж починати роботу, переконайтесь, що тримерна головка з нейлоновим кордом надійно закріплена на інструменті. Неправильне закріплення тримерної головки з нейлоновим кордом може призвести до того, що вона розлетиться та заподіє тяжкі травми.

1. Зніміть тримерну головку з нейлоновим кордом.
2. Зніміть кришку, натиснувши два фіксатори (рифлені секції), що знаходяться з протилежних боків ковпачка.
3. Зніміть катушку. Та зніміть з катушки старий нейлоновий корд.
4. Відріжте нейлоновий корд довжиною 3 – 6 м. Складіть тримерний корд удвічі так, щоб одна половина була довшою на 80 – 100 мм. (мал. 18)
5. Зачепіть середину нового нейлонового корда за паз у центрі катушки між двома каналами, призначеними для нейлонового корда. (мал. 19)
6. Міцно намотайте обидва кінці на канали у напрямку, позначеному стрілкою на катушці. (мал. 20)
7. Просмикніть нейлоновий корд через вушка, щоб він виходив із ковпачка.
8. Вирівняйте виступи на нижній поверхні кришки відносно отворів вушок. Потім надійно одягніть кришку на ковпачок. Переконайтесь, що фіксатори повністю увійшли у кришку.

Для забезпечення БЕЗПЕКИ та НАДІЙНОСТІ виробу ремонт та будь-які інші роботи із технічного обслуговування або регулювання мають виконуватися в офіційних сервісних центрах Makita, також треба завжди користуватися запасними деталями Makita.

ПЕРІОДИЧНІСТЬ ПРОВЕДЕННЯ ТЕХНІЧНОГО ОБСЛУГОВУВАННЯ

Частина:	Інтервал:	Операція:
Шнур живлення	Щоразу перед використанням	Візуально перевірте, щоб не було сильного зношення або пошкодження. Якщо пошкоджено, зверніться до місцевого сервісного центру для ремонту.
Гвинт допоміжної ручки	Щоразу перед використанням	Перевірте, щоб гвинт не був розкручений. Затягніть гвинт, якщо розкручено. Замініть гвинт, якщо пошкоджено.
Захисний кожух різального інструменту (захист)	Щоразу перед використанням	Перевірте, щоб не був розкручений гвинт, та щоб захист не був пошкоджений. Затягніть гвинт, якщо розкручено. Замініть захист, якщо пошкоджено.
Тримерне лезо	Кожні 10 год.	Змащуйте антикорозійним мастилом після кожного використання. Перевірте, щоб не було пошкоджень. У разі пошкодження замініть.
Тримерна головка з нейлоновим кордом	Кожні 10 год.	Візуально перевірте, щоб не було сильного зношення або пошкодження. У разі пошкодження замініть.
Повідний вал	Кожні 10 год.	Змащуйте антикорозійним мастилом.

ПОШУК ТА УСУНЕННЯ НЕСПРАВНОСТЕЙ

Перш ніж звертатися за ремонтом, проведіть власний огляд. Якщо ви виявите проблему, не описану у даному керівництві, не намагайтесь розібрати інструмент. Замість цього зверніться до офіційного сервісного центру Makita та завжди використовуйте для ремонту запасні деталі Makita.

Стан несправності	Причина	Рішення
Двигун не працює.	Інструмент не увімкнено в розетку.	Увімкніть інструмент в розетку.
	Шнур живлення поламаний.	Зверніться в офіційний сервісний центр для ремонту.
	Система приводу працює неправильно.	
Двигун зупиняється після нетривалого використання.	Перегрівання.	Припиніть користуватися інструментом, щоб він охолов.
Інструмент не досягає максимальної частоти обертів.	Система приводу працює неправильно.	Зверніться в офіційний сервісний центр для ремонту.
Різальний інструмент не обертається: негайно зупиніть машину!	Між захисним кожухом та різальним інструментом застряг сторонній предмет, як-от гілка.	Видаліть сторонній предмет.
	Розкрутилася гайка кріплення тримерного леза.	Затягніть гайку належним чином, відповідно до інструкцій.
	Тримерне лезо погнулось.	Замініть тримерне лезо.
Ненормальна вібрація: негайно зупиніть машину!	Система приводу працює неправильно.	Зверніться в офіційний сервісний центр для ремонту.
	Один кінець нейлонового корду порвався.	Стукніть тримерною головкою з нейлоновим кордом об землю, коли тримерна головка обертається, щоб подати корд.
	Тримерне лезо погнулось, тріснуло або зносилось.	Замініть тримерне лезо.
	Розкрутилася гайка кріплення тримерного леза.	Затягніть гайку належним чином, відповідно до інструкцій.
Тримерне лезо закріплене неправильно.		
Система приводу працює неправильно.	Зверніться в офіційний сервісний центр для ремонту.	
Різальний інструмент та двигун не зупиняються. Негайно вимкніть вилку з розетки!	Несправність електричної або електронної системи.	Вимкніть вилку з розетки та зверніться в офіційний сервісний центр для ремонту.

ДОДАТКОВІ АКСЕСУАРИ



УВАГА:

- Дані аксесуари або насадки рекомендовані для використання із вашим інструментом Makita, описаним у цьому керівництві. Використання будь-яких інших аксесуарів або насадок може становити ризик отримання травми. Використовуйте аксесуари або насадки лише за призначенням.

Якщо вам потрібна будь-яка допомога в отриманні інформації про дані аксесуари, зверніться до вашого місцевого сервісного центру Makita.

- Тримерне лезо
- Тримерна головка з нейлоновим кордом
- Нейлоновий корд (тримерна ліска)
- Плечовий ремінь

ПРИМІТКА:

- Деякі з позицій списку можуть надаватися у комплекті із інструментом як стандартні аксесуари. Вони можуть відрізнятися в залежності від країни.

Makita Europe N.V. Jan-Baptist Vinkstraat 2,
3070 Kortenberg, Belgium

Makita Corporation 3-11-8, Sumiyoshi-cho,
Anjo, Aichi 446-8502 Japan